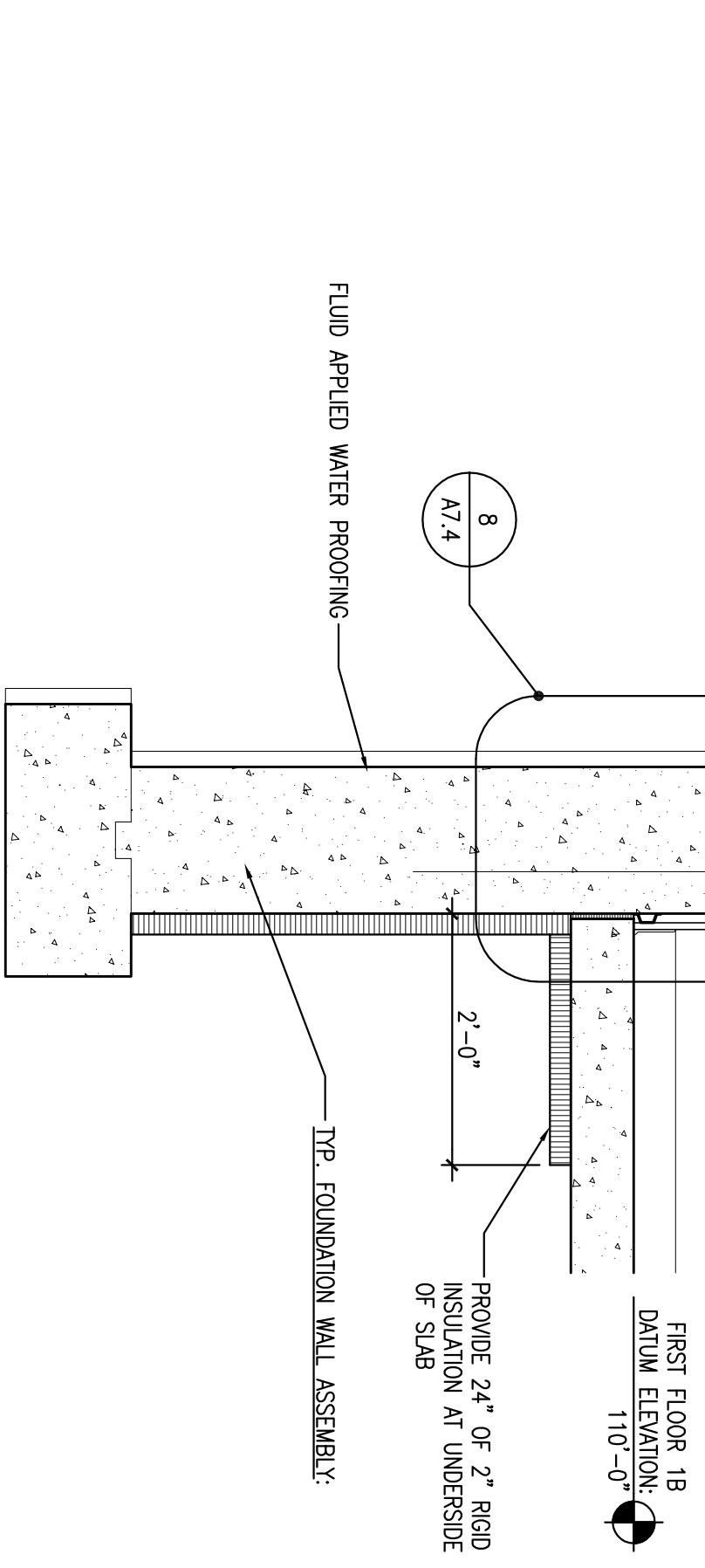


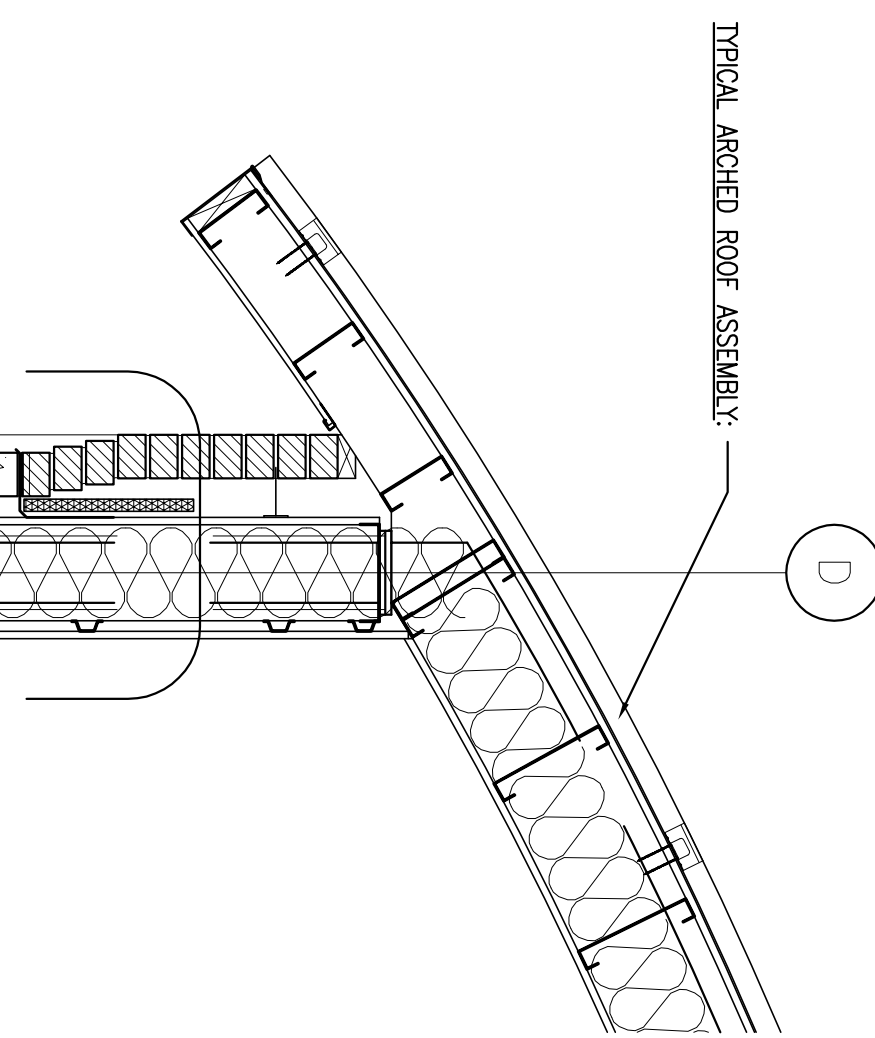
- TYPICAL 8" METAL FRAMED EXTERIOR WALL ASSEMBLY:  
W/FURRING CHANNELS:  
MODULAR BRICK VENEER  
AIR SPACE  
TYVEK AIR INFILTRATION BARRIER  
5/8" G.P. DENS GLASS GOLD SHEATHING  
CONT. R-19 BATT INSULATION  
6 MIL. POLY VAPOR RETARDER  
7/8" FURRING CHANNELS @ 16" O.C. VERTICAL  
5/8" TYPE 'X' GWB



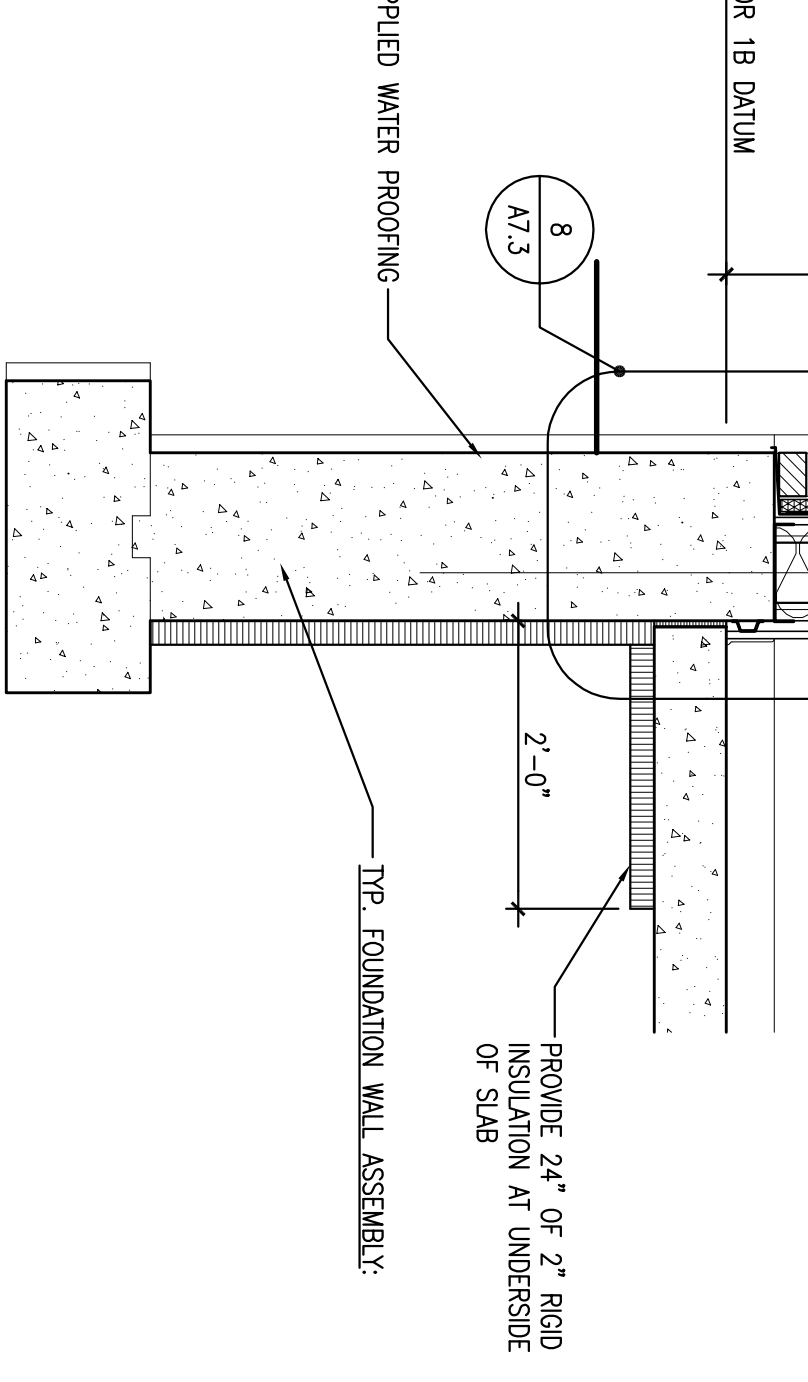
**3** WALL SECTION

REFERENCED FROM:

SCALE: 3/4" = 1'-0"



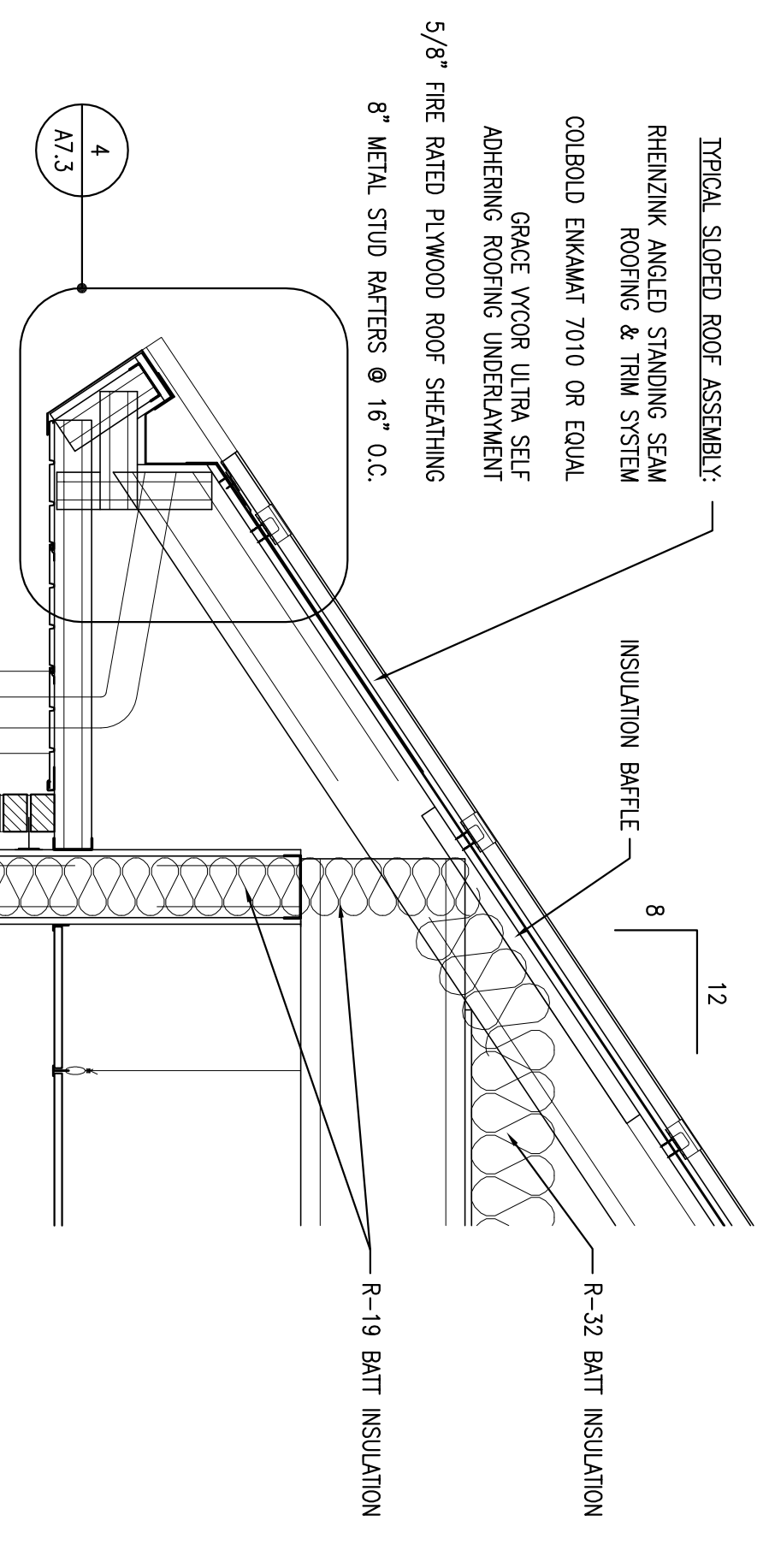
- TYPICAL 8" METAL FRAMED EXTERIOR WALL ASSEMBLY:  
W/FURRING CHANNELS:  
MODULAR BRICK VENEER  
AIR SPACE  
TYVEK AIR INFILTRATION BARRIER  
5/8" G.P. DENS GLASS GOLD SHEATHING  
R-19 BATT INSULATION  
6 MIL. POLY VAPOR RETARDER  
5/8" TYPE 'X' GWB



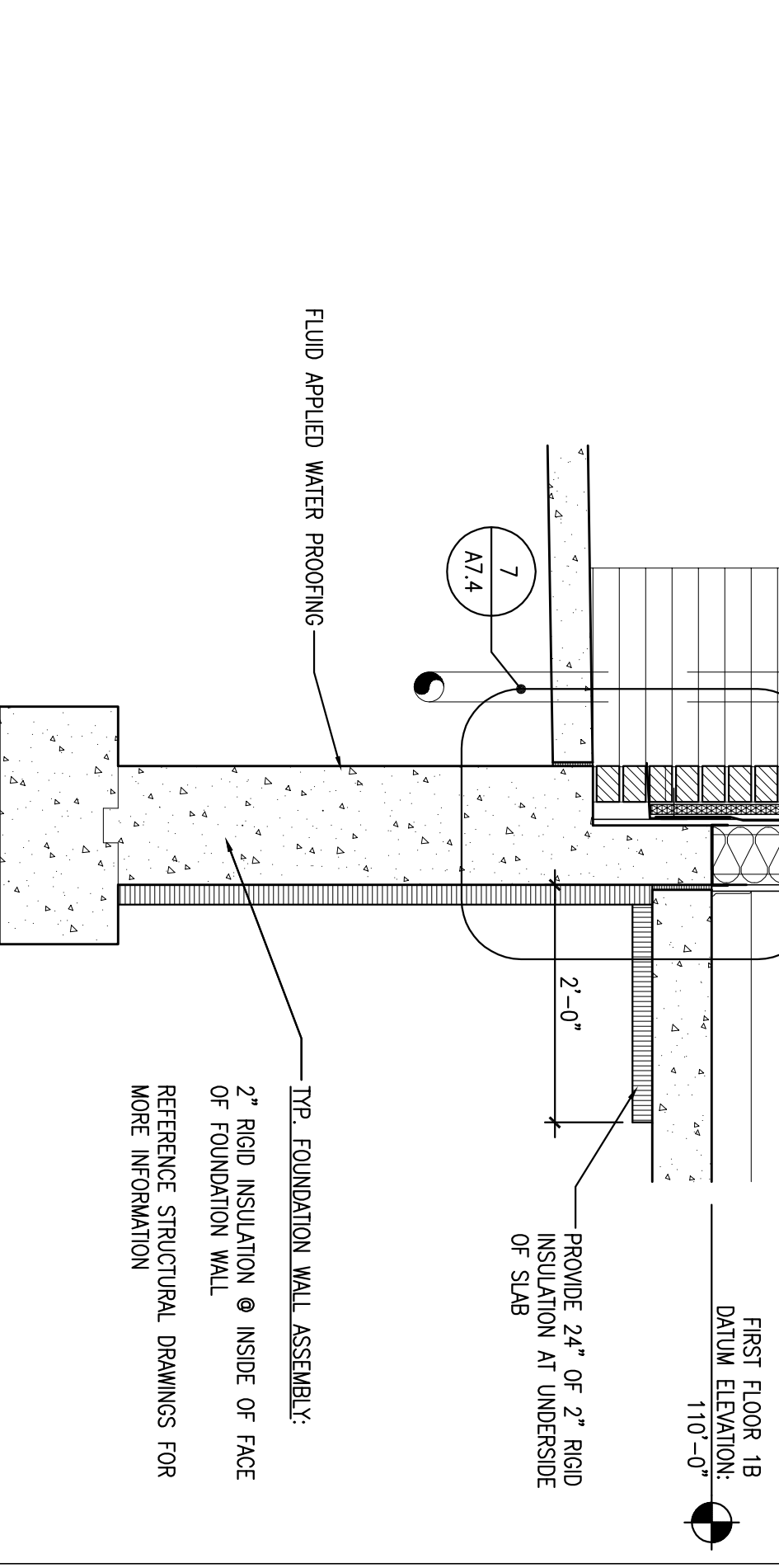
**2** WALL SECTION

REFERENCED FROM:

SCALE: 3/4" = 1'-0"



- TYPICAL 6" METAL FRAMED EXTERIOR WALL ASSEMBLY:  
MODULAR BRICK VENEER  
AIR SPACE  
TYVEK AIR INFILTRATION BARRIER  
5/8" G.P. DENS GLASS GOLD SHEATHING  
R-19 BATT INSULATION  
6" METAL STUD FRAMING @ 16" O.C.  
6 MIL. POLY VAPOR RETARDER  
5/8" TYPE 'X' GWB



**1** WALL SECTION

REFERENCED FROM:

SCALE: 3/4" = 1'-0"