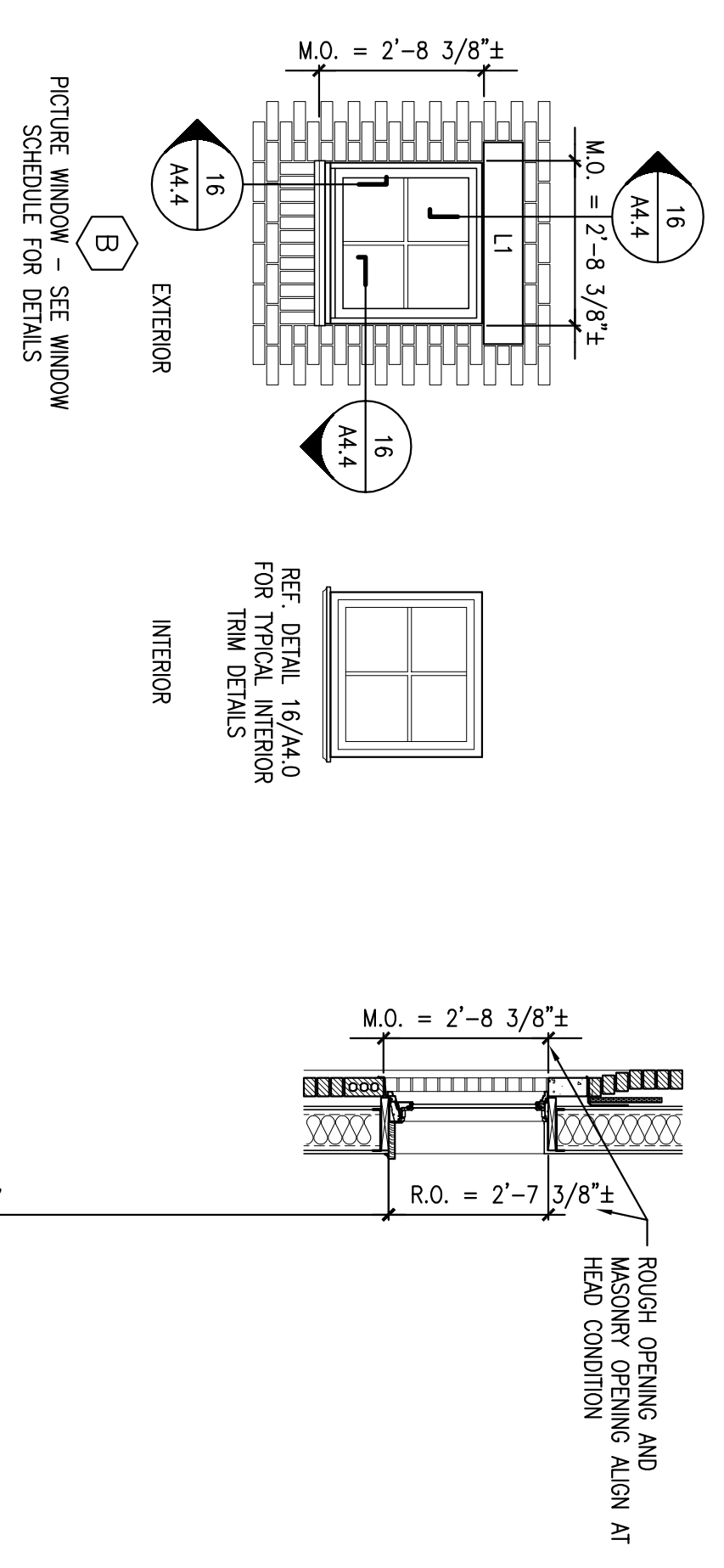


1 WINDOW TYPE "A" ELEVATIONS
 REFERENCED FROM: SCALE: 3/8" = 1'-0"

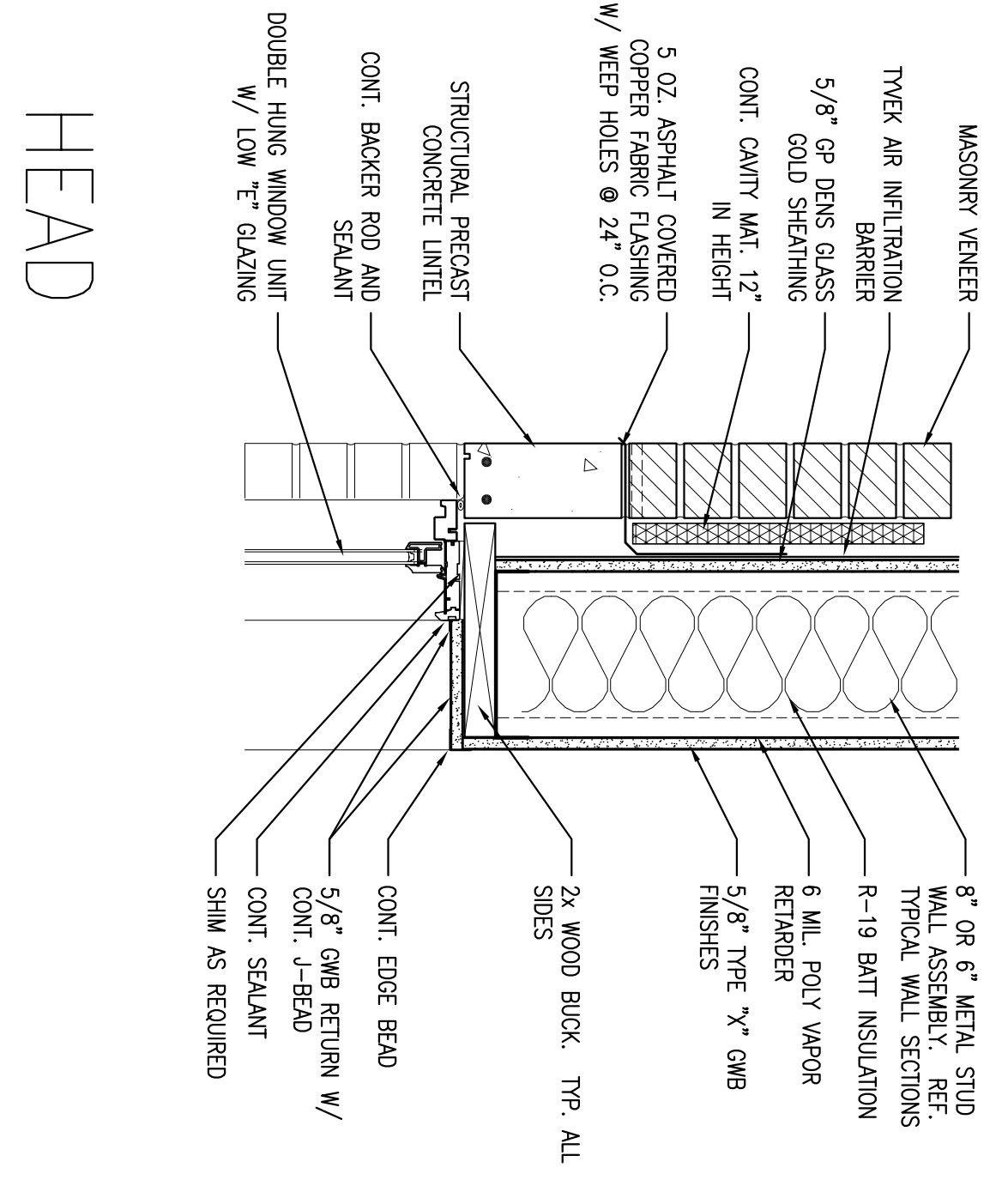


GENERAL NOTES PERTAINING TO ALL EXTERIOR OPENINGS:
 1. THE CONTRACTOR SHALL VERIFY ALL EXTERIOR MASONRY OPENINGS AND CONFIRM ALL WINDOW AND DOOR UNIT SIZES PRIOR TO RELEASING FOR FABRICATION. COORDINATE WITH MASONRY CONTRACTOR.

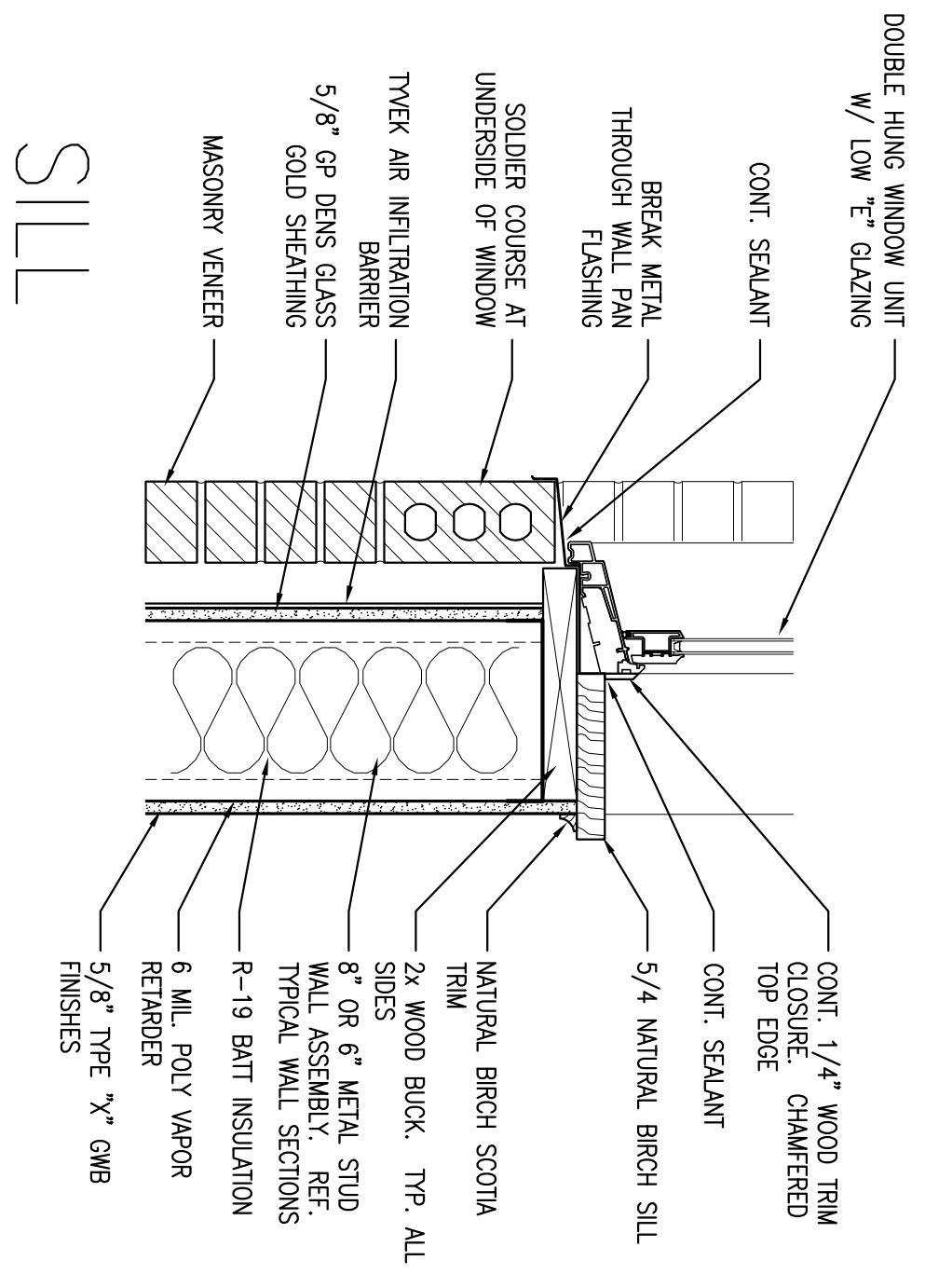
9 WINDOW TYPE "B" ELEVATIONS
 REFERENCED FROM: SCALE: 3/8" = 1'-0"

13 NOT USED
 REFERENCED FROM: SCALE:

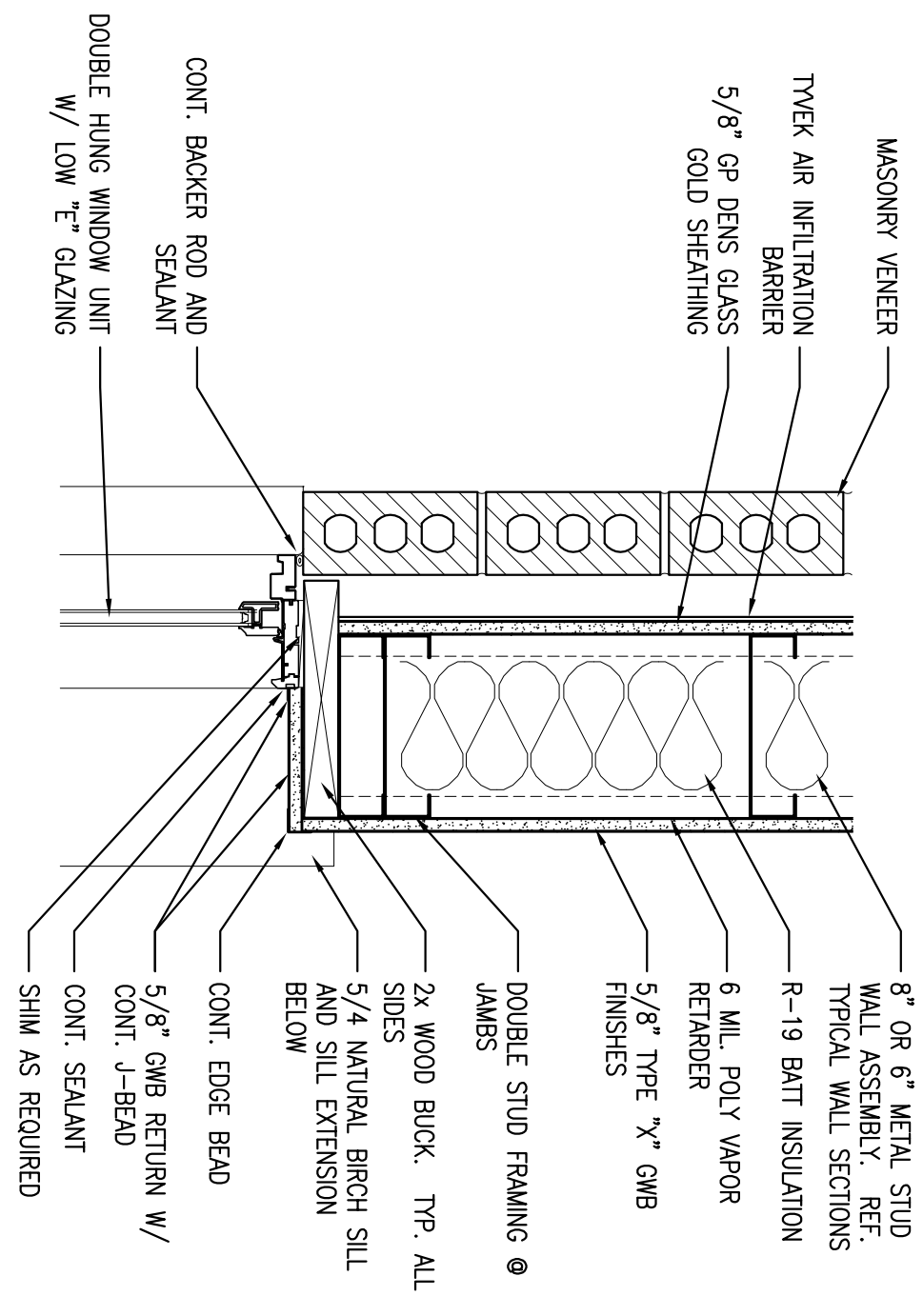
14 NOT USED
 REFERENCED FROM: SCALE:



HEAD

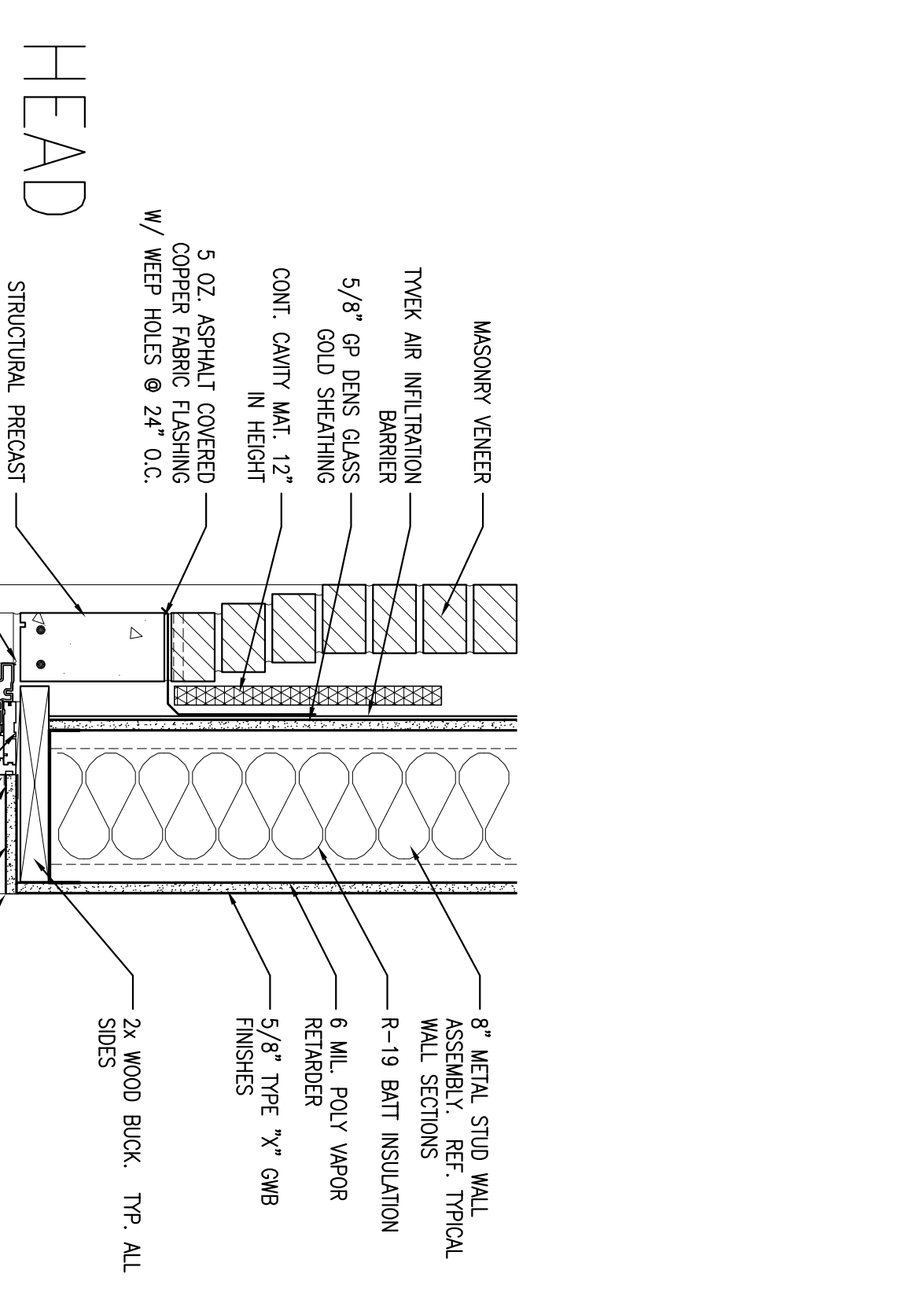


SILL

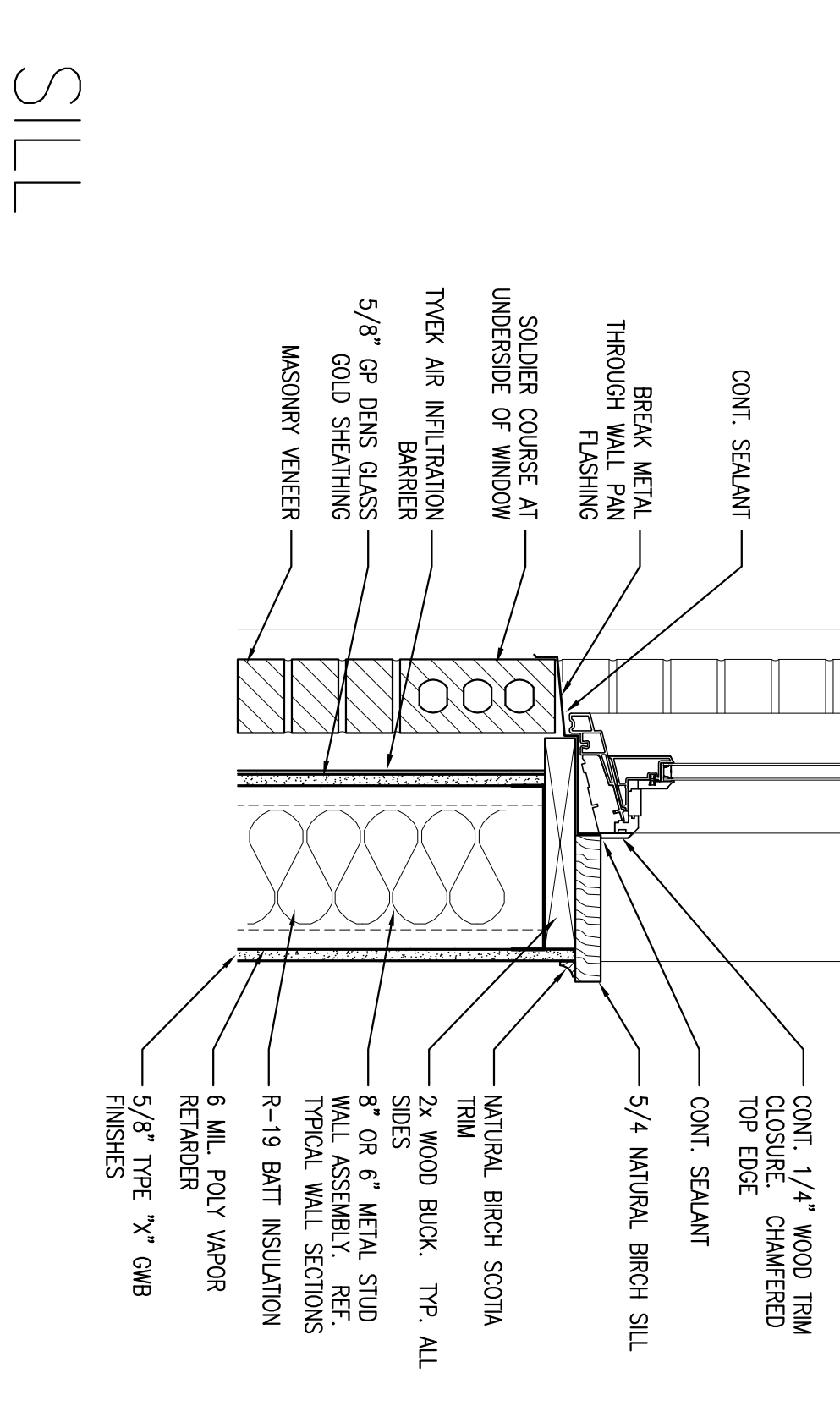


JAMB

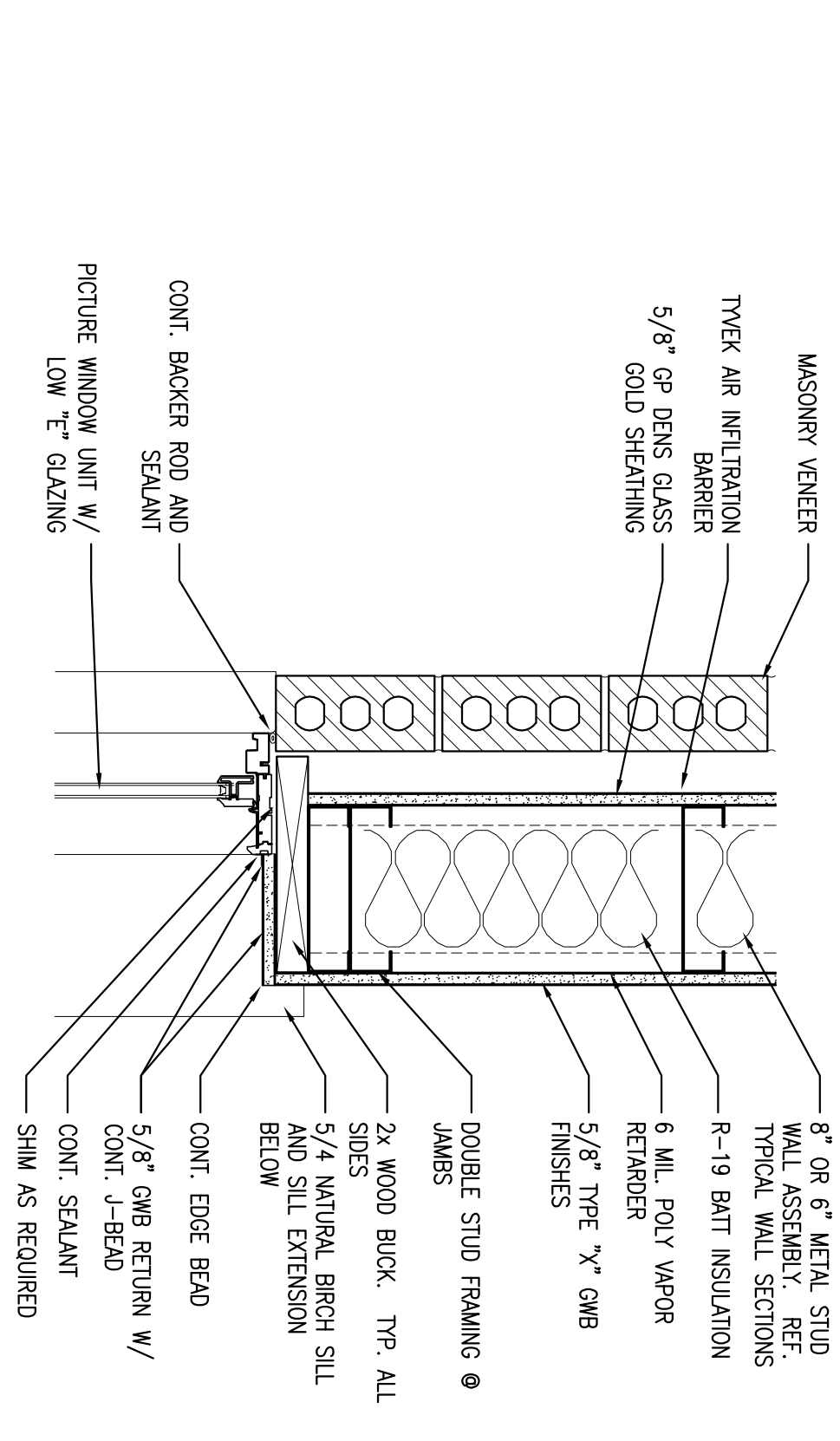
15 WINDOW TYPE "A" DETAILS
 REFERENCED FROM: SCALE: 1/2" = 1'-0"



HEAD



SILL



JAMB

16 WINDOW TYPE "B" DETAILS
 REFERENCED FROM: SCALE: 1/2" = 1'-0"

CWS Architects
 Architects
 Space Planning
 Value Design
 434 Cumberland Avenue
 Portland, ME 04101
 Phone: (207) 774-4441
 Fax: (207) 774-4018
www.CWSArch.com

GREATER PORTLAND YMCA
 676 Cumberland County YMCA
 70 Forest Ave Portland, ME 04101
 (207) 874-1111
 Owner:
 Client:

YMCA HIGH STREET ENTRY
 High Street - Portland, Maine
 Project No: 04454ise
 Drawing Title:
 Drawing No: **A4.4**

Scale: AS NOTED
 Date: Progress 04/19/05
 Revisions:
 ISSUED FOR PERMITTING & PRICING 05/12/05