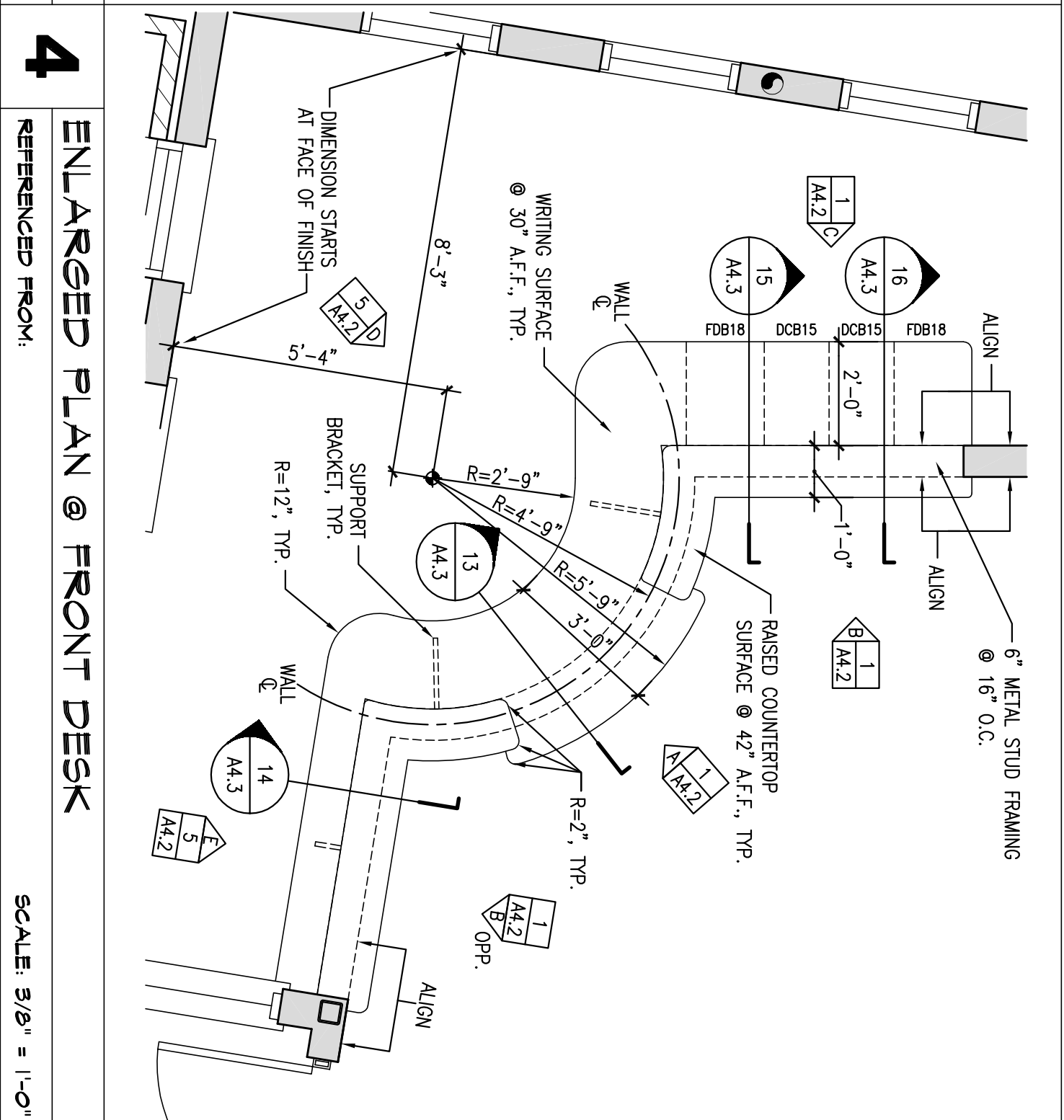
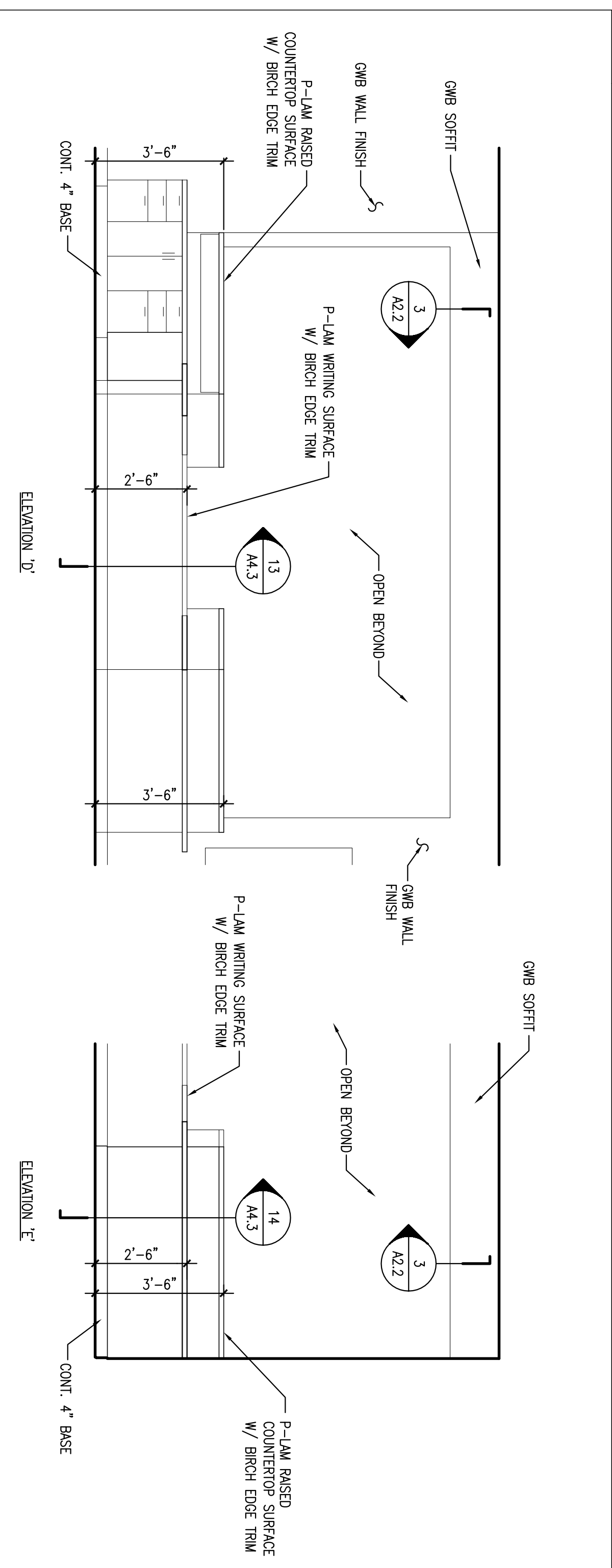


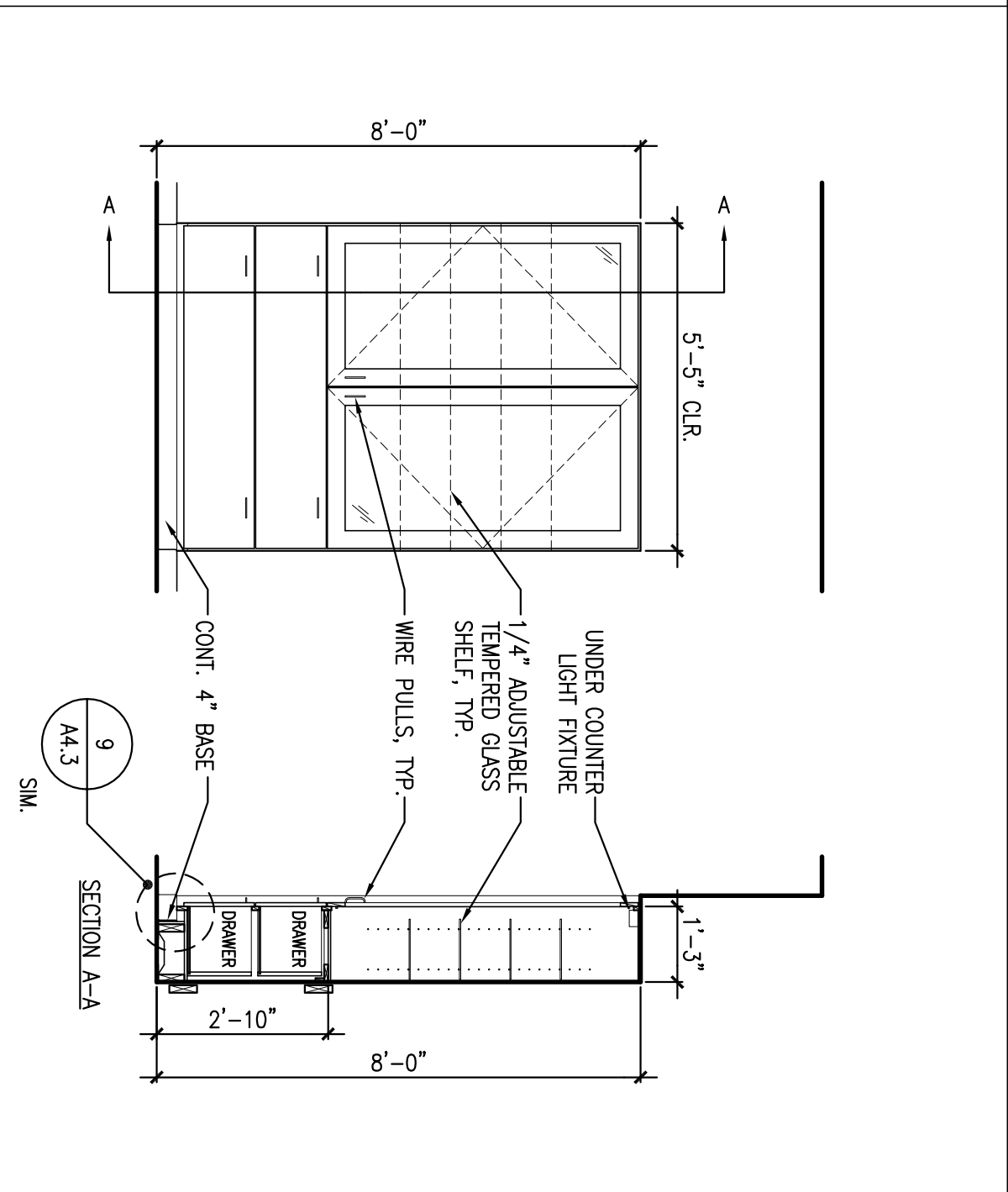
**1** INTERIOR ELEVATIONS @ FRONT DESK  
 REFERENCED FROM:  
 SCALE: 3/8" = 1'-0"



**4** ENLARGED PLAN @ FRONT DESK  
 REFERENCED FROM:  
 SCALE: 3/8" = 1'-0"

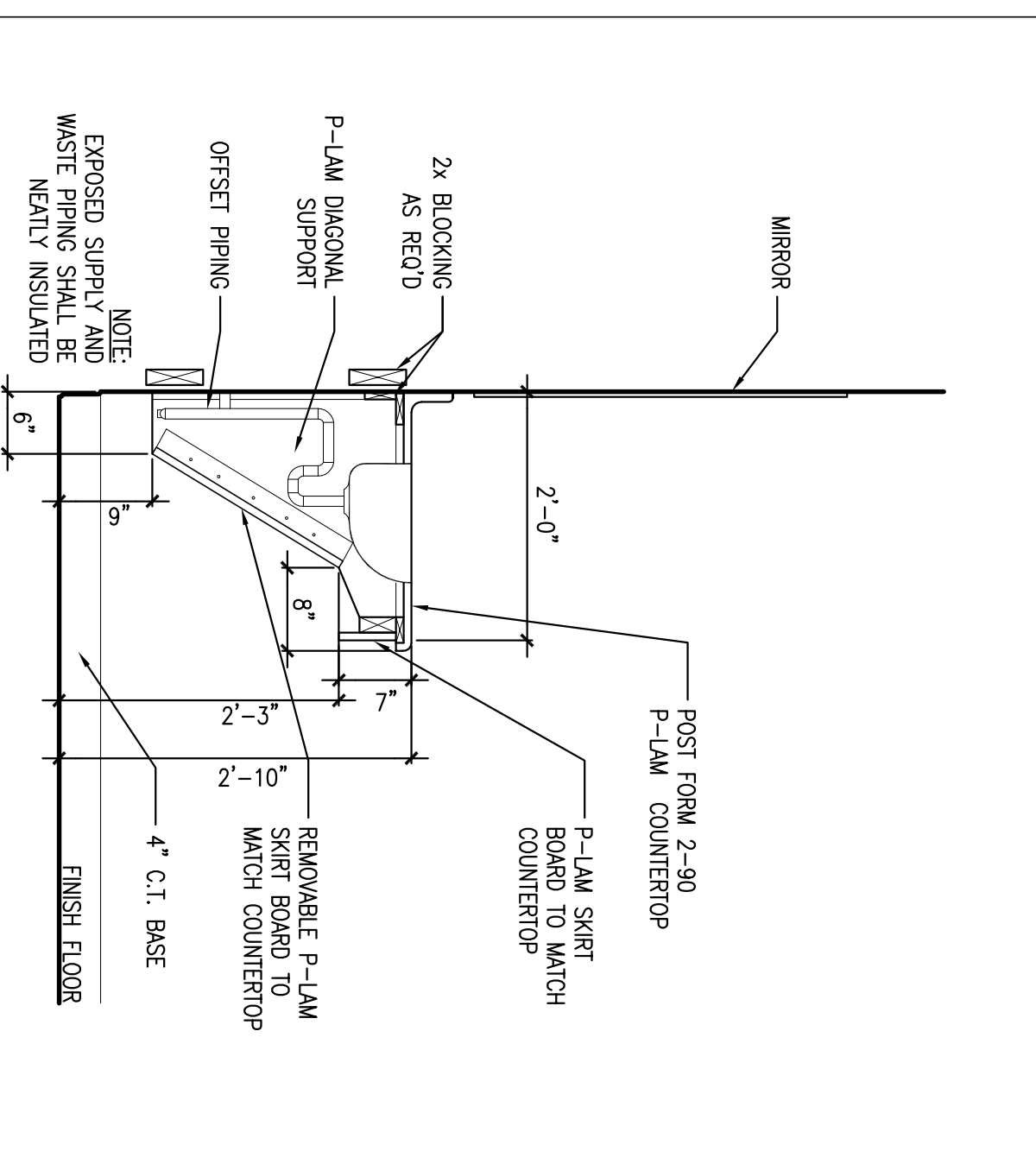


**5** INTERIOR ELEVATIONS @ FRONT DESK  
 REFERENCED FROM:  
 SCALE: 3/8" = 1'-0"

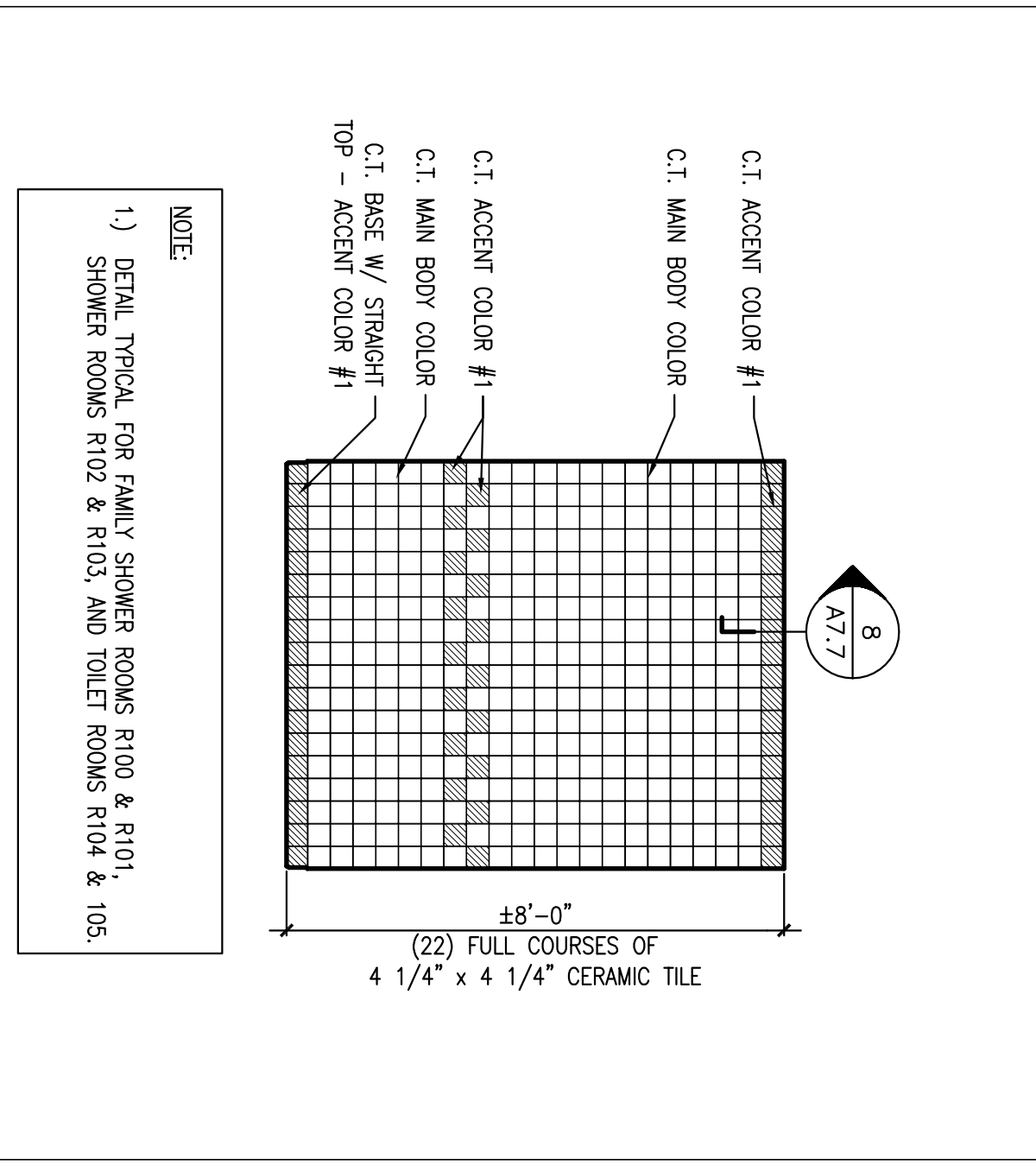


**7** INTERIOR ELEVATION @ DISPLAY CABINET  
 REFERENCED FROM:  
 SCALE: 3/8" = 1'-0"

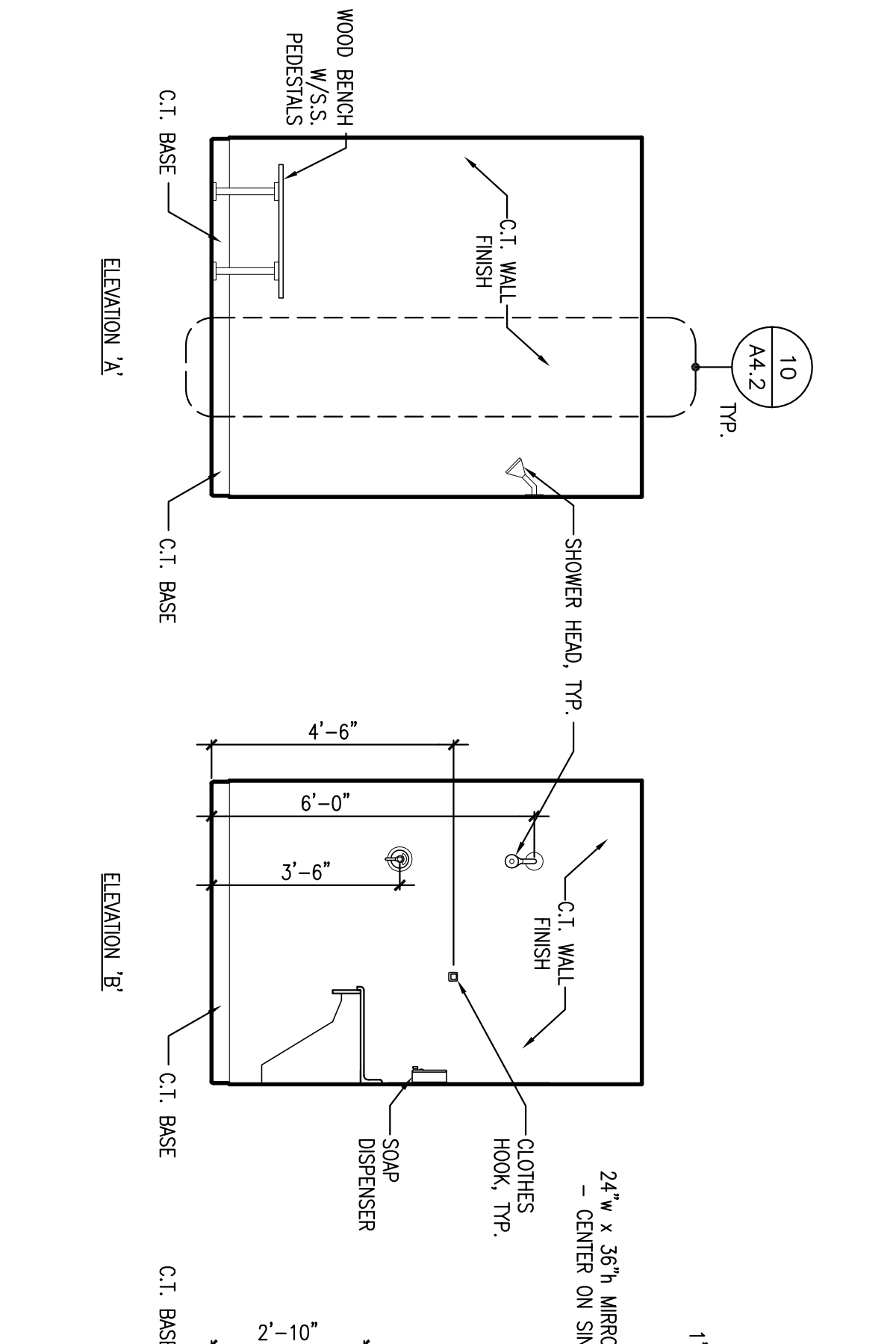
**8** NOT USED  
 REFERENCED FROM:  
 SCALE:



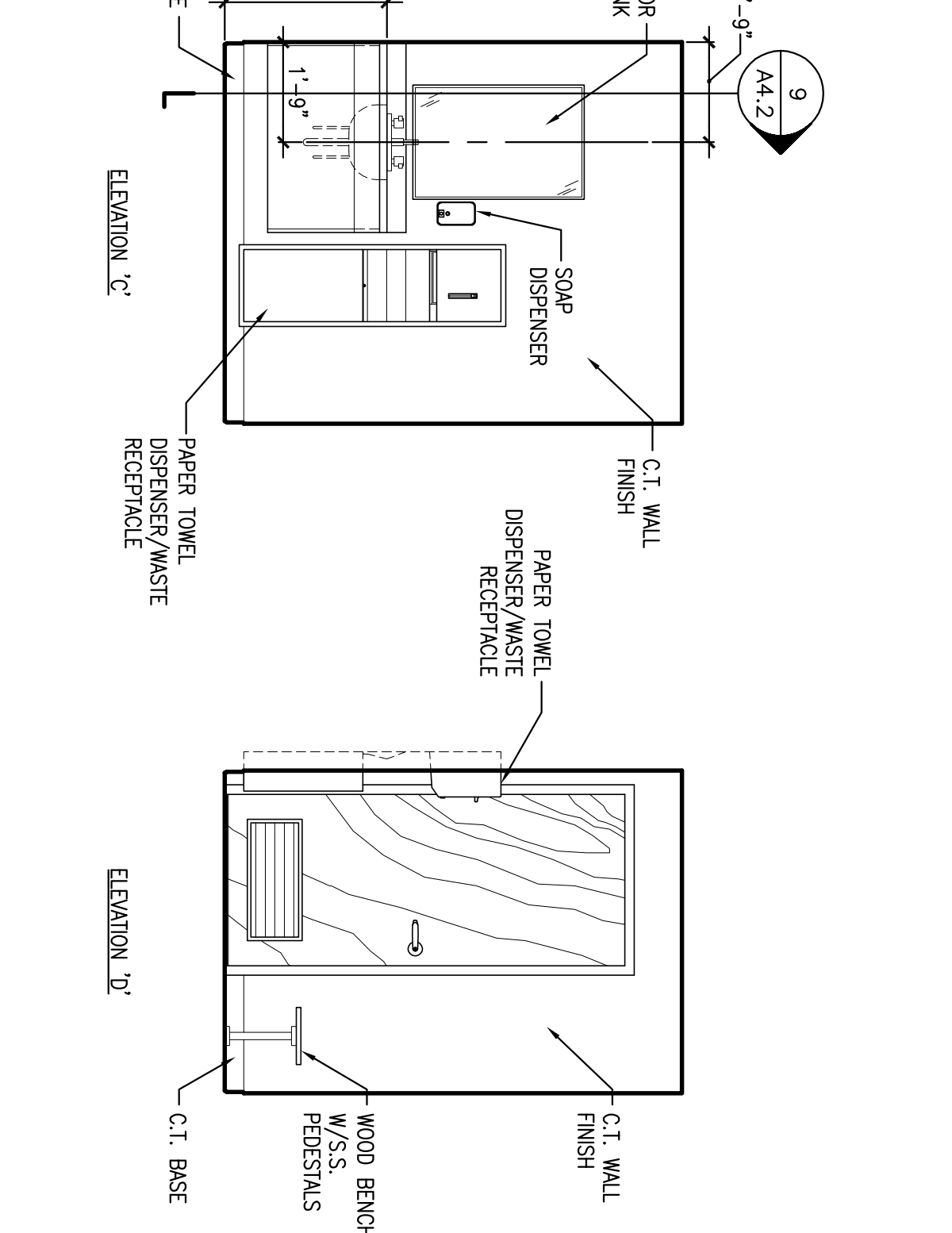
**9** TYP. LAVATORY COUNTERTOP SECTION  
 REFERENCED FROM:  
 SCALE: 3/4" = 1'-0"



**10** TYP. FULL-HEIGHT TILE PATTERN  
 REFERENCED FROM:  
 SCALE: 3/8" = 1'-0"



**11** INTERIOR ELEVATIONS @ SHOWER ROOM  
 REFERENCED FROM:  
 SCALE: 3/8" = 1'-0"



**11** INTERIOR ELEVATIONS @ SHOWER ROOM  
 REFERENCED FROM:  
 SCALE: 3/8" = 1'-0"

**CWS Architects**  
 Architects  
 Space Planning  
 Value Design  
 434 Cumberland Avenue  
 Portland, ME 04101  
 Phone: (207) 774-4441  
 Fax: (207) 774-0118  
 www.CWSarch.com

**GREATER PORTLAND YMCA**  
 c/o Cumberland County YMCA  
 70 Forest Ave Portland, ME 04101  
 (207) 874-1111  
 Owner:  
 Client:

**YMCA HIGH STREET ENTRY**  
 High Street - Portland, Maine

Project No: 0445438  
 Drawing Title:  
**ENLARGED PLAN AND INTERIOR ELEVATIONS**  
 Scale: AS NOTED  
 Date: Progress 03/23/05  
 Revisions:  
 Drawing Number:  
**A4.2**  
 ISSUED FOR PERMITTING & PRICING 05/12/05