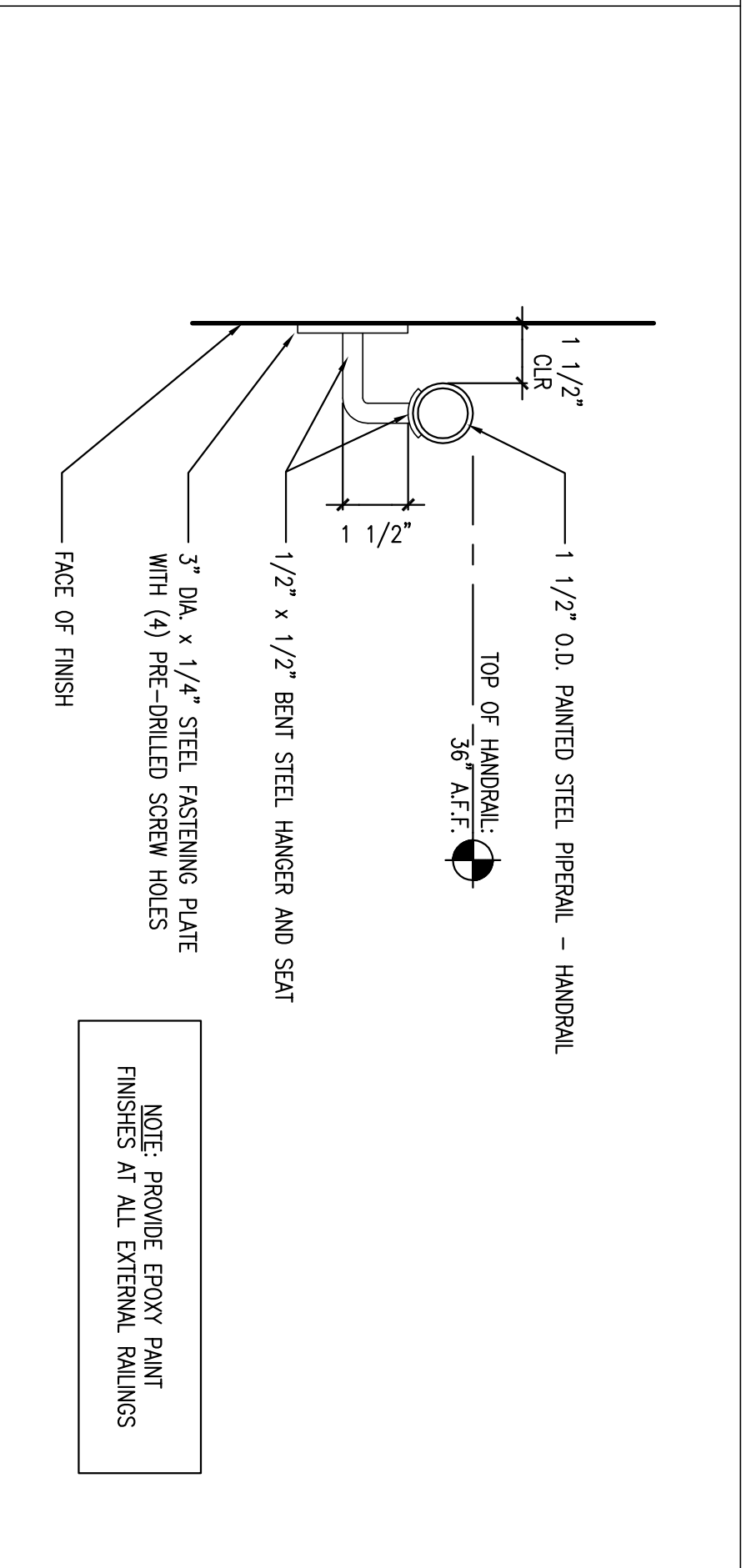


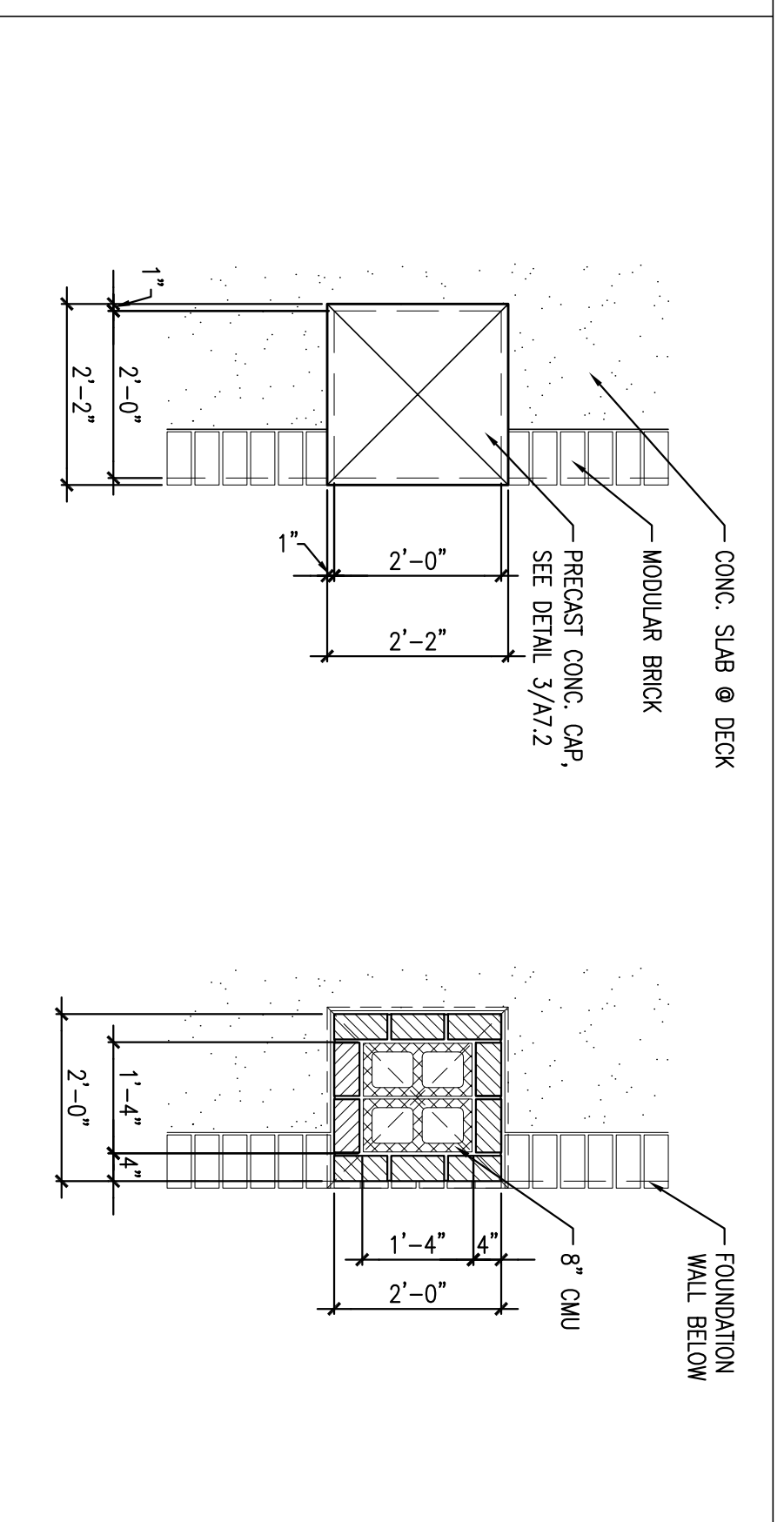
1 TYP. BRICK EDGE DETAIL AT PATIO EDGE

REFERENCED FROM: 1/2" = 1'-0"



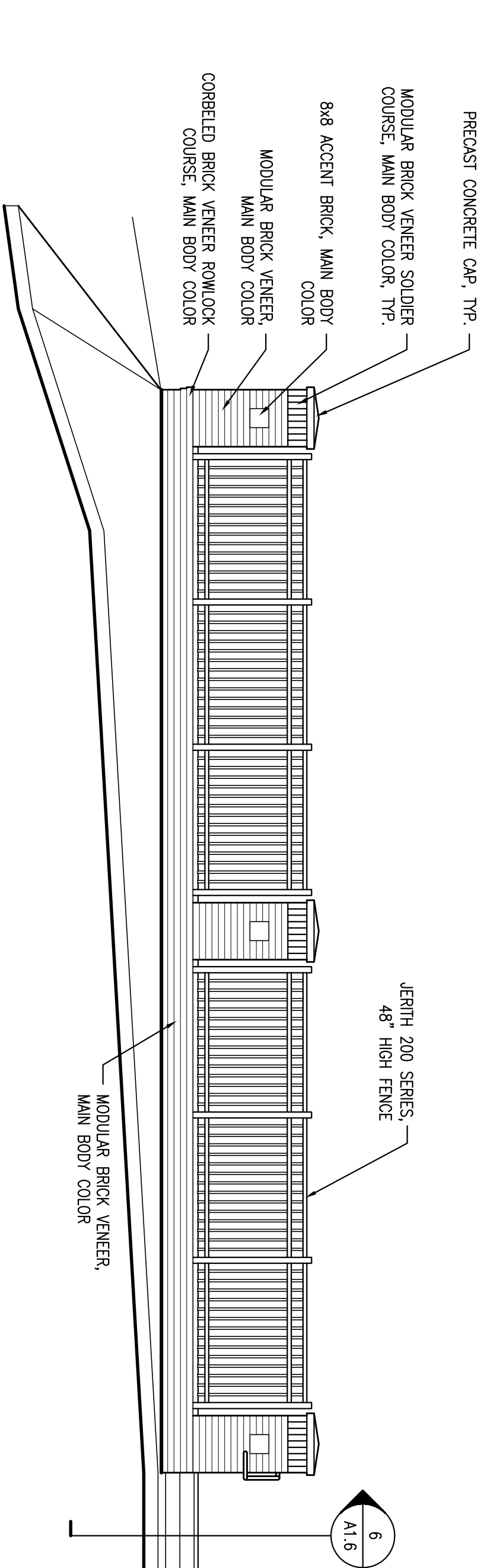
2 TYPICAL HANDRAIL DETAIL

REFERENCED FROM: SCALE: 3" = 1'-0"



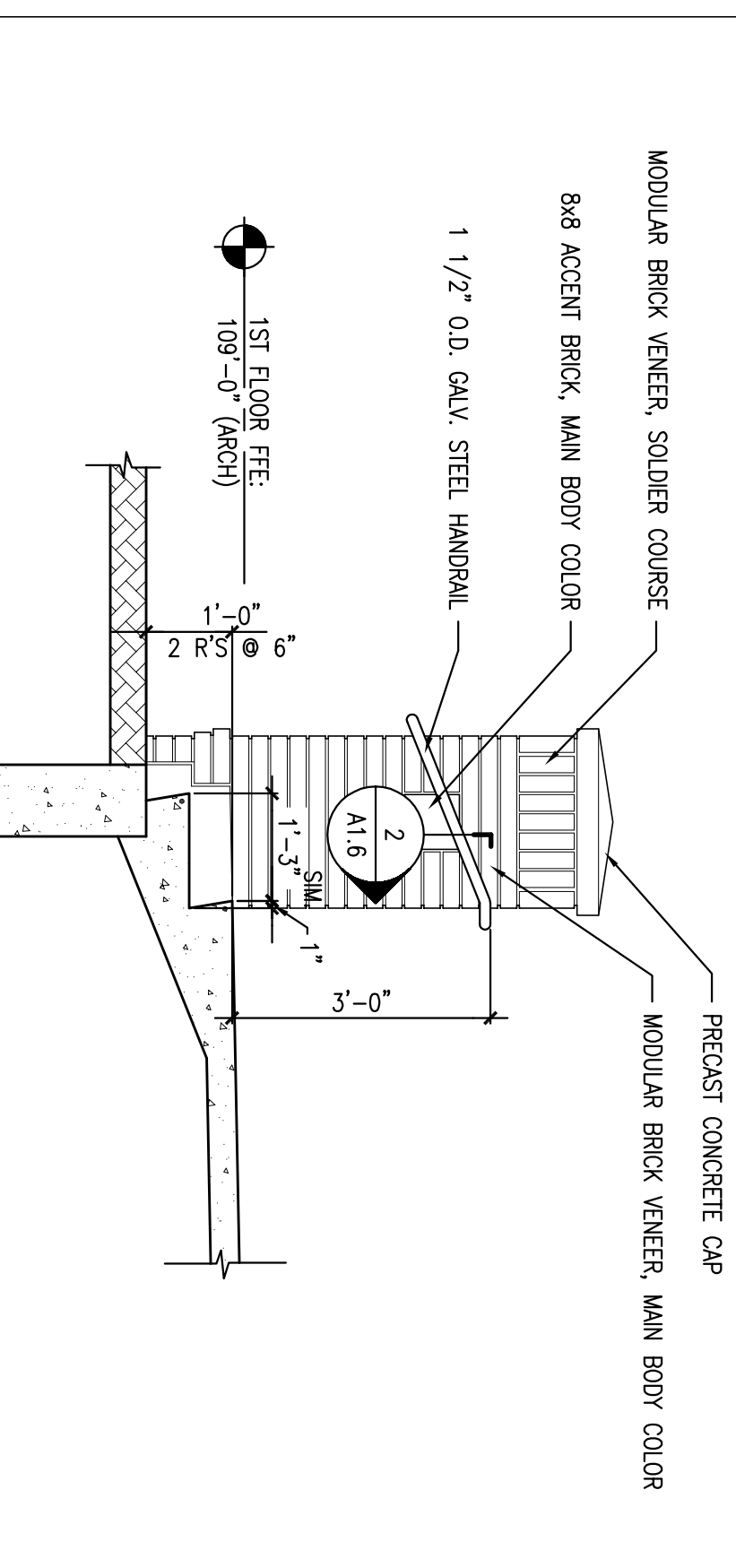
3 HORIZONTAL SECTIONS @ PATIO PIER (TYP.)

REFERENCED FROM: SCALE: 1/2" = 1'-0"



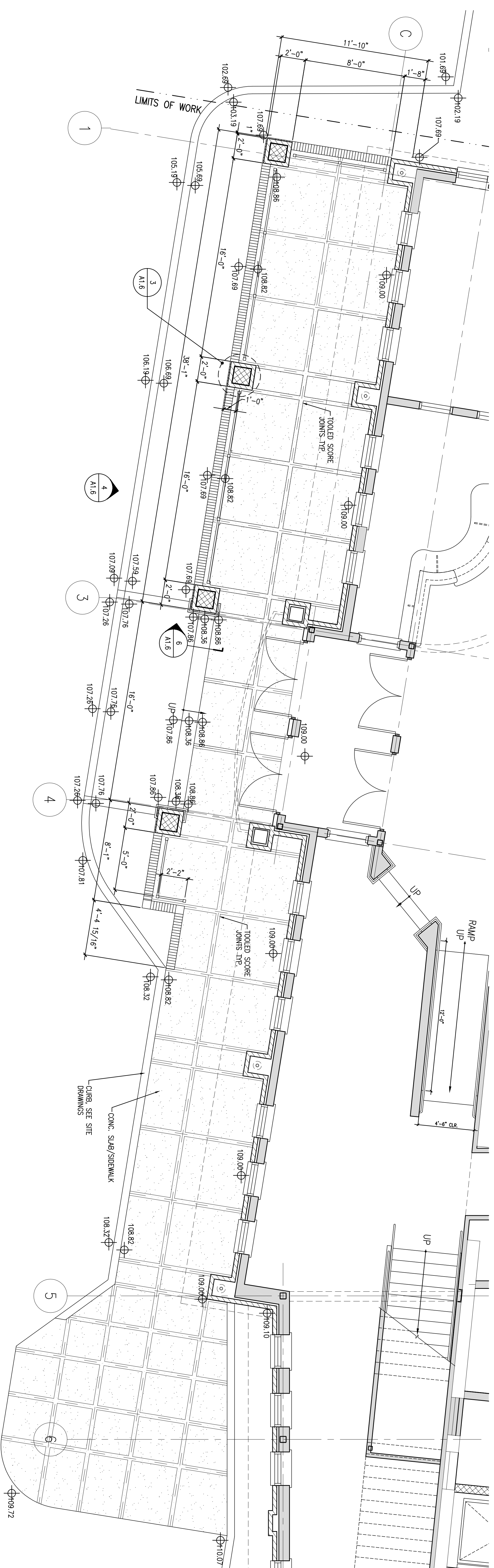
4 PATIO ELEVATION

REFERENCED FROM: SCALE: 1/4" = 1'-0"



6 EXTERIOR STAIR SECTION

REFERENCED FROM: SCALE: 1/2" = 1'-0"



7 ENLARGED PATIO PLAN

REFERENCED FROM: SCALE: 1/4" = 1'-0"



CWS Architects

Architectural

Space Planning

Value Design

434 Cumberland Avenue

Portland, ME 04101

Phone: (207) 774-4441

Fax: (207) 774-4018

www.CWSarch.com

Owner:
GREATER PORTLAND YMCA
c/o Cumberland County YMCA
70 Forest Ave Portland, ME 04101
(207) 874-1111

Client:

YMCA HIGH STREET ENTRY
High Street - Portland, Maine

Product No: 04454use

Drawing Title:

ENLARGED PATIO PLAN, DETAILS, AND ELEVATION

Scale: AS NOTED

Date: Progress 03/23/05

Revisions:

Drawing Number:

A1.6