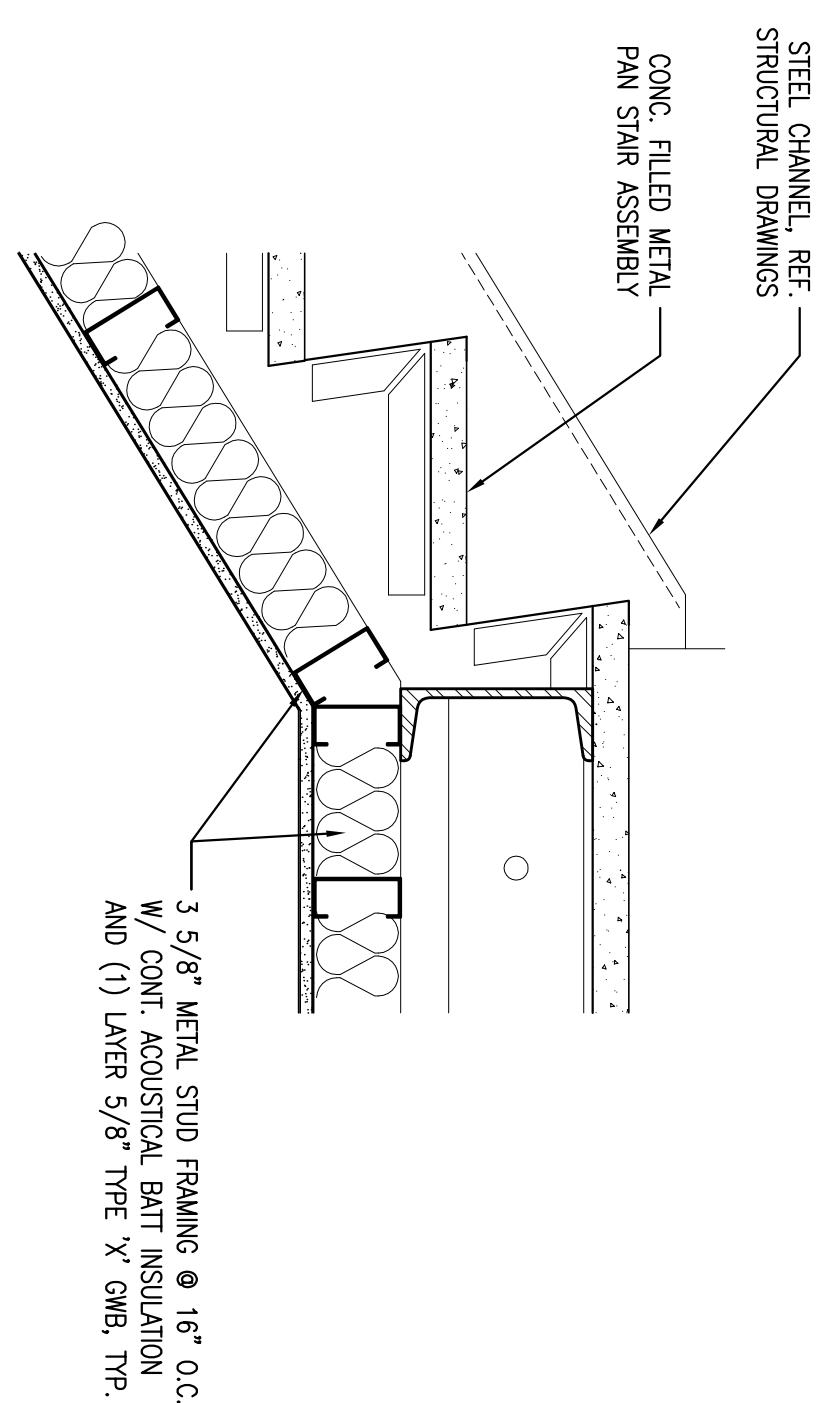


1 DETAIL @ STAIR FURRING

REFERENCED FROM:

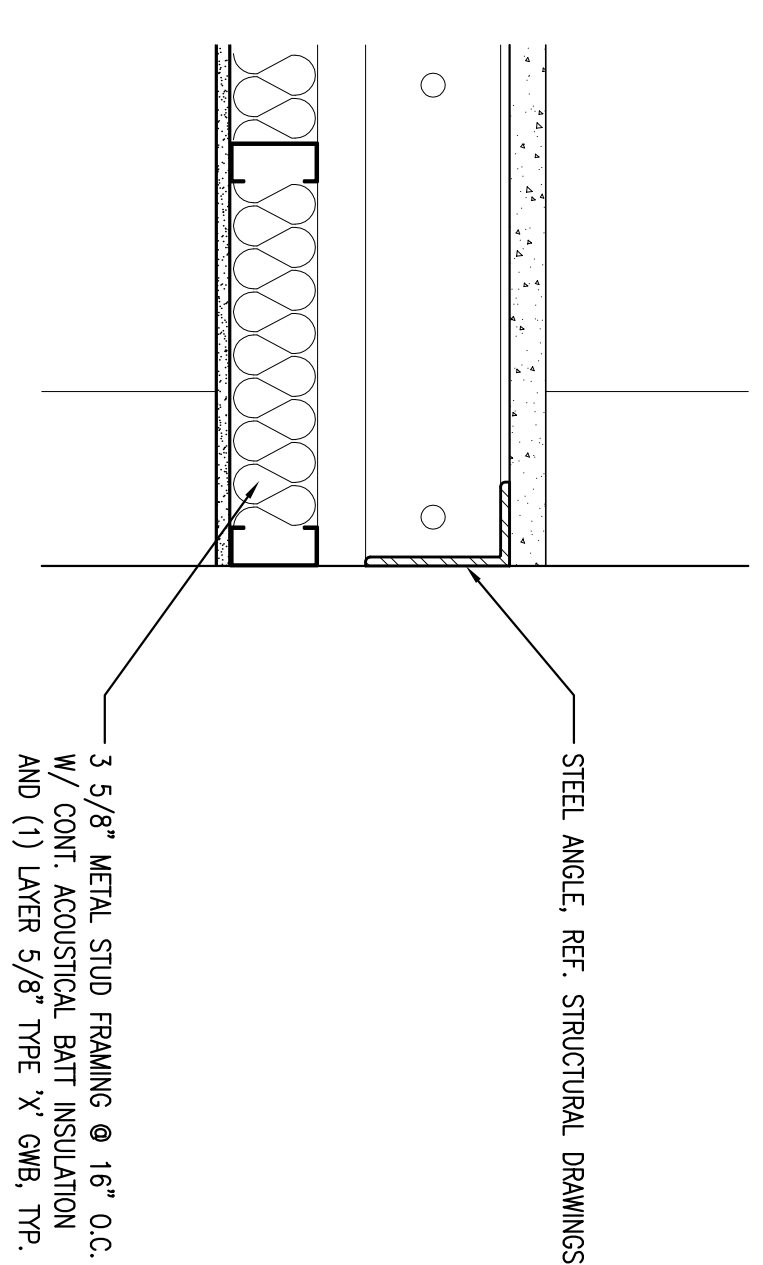
SCALE: 1 1/2" = 1'-0"



2 STAIR DETAIL @ SECOND FLOOR LANDING

REFERENCED FROM:

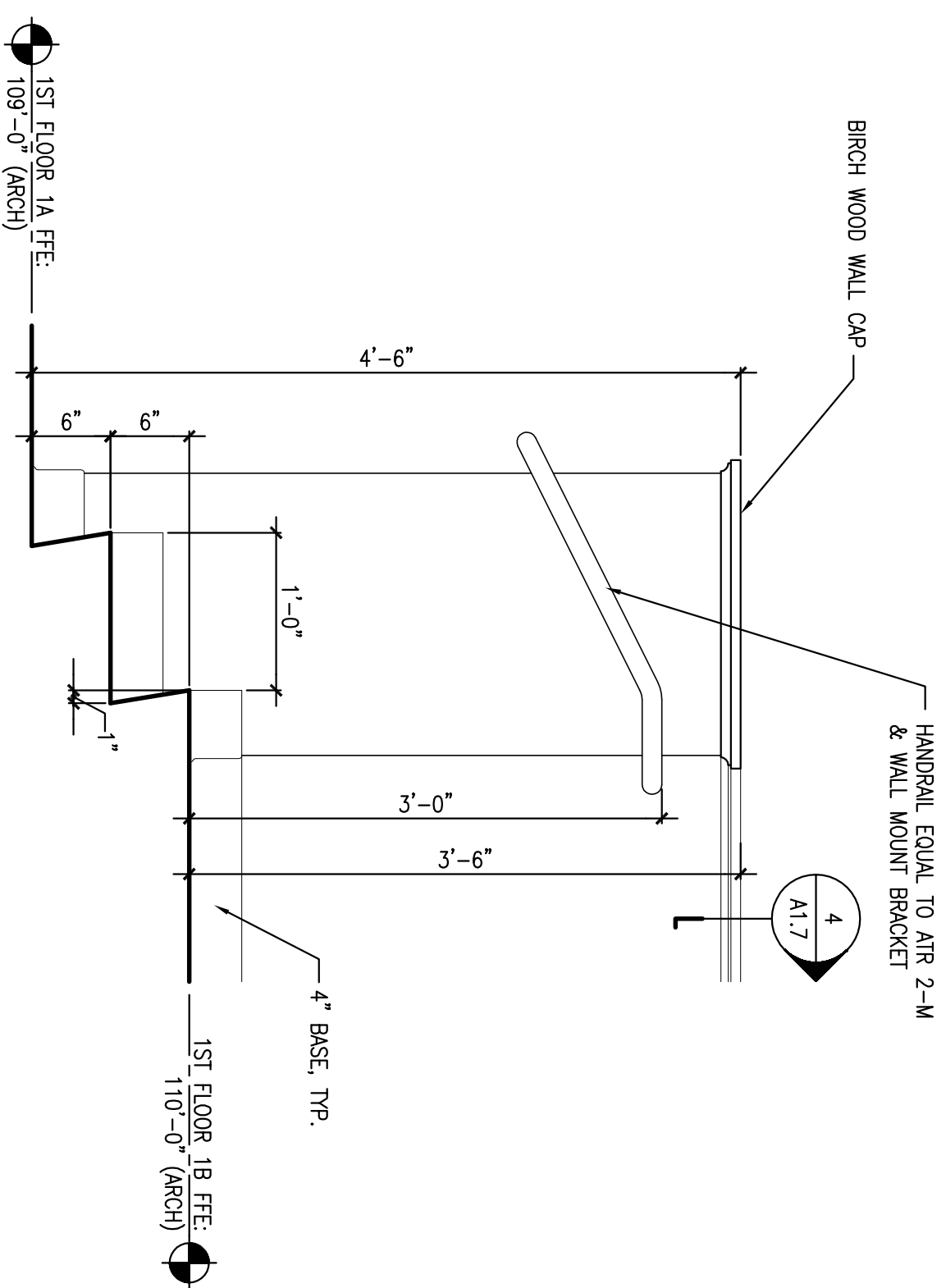
SCALE: 1 1/2" = 1'-0"



3 STAIR DETAIL @ LANDING

REFERENCED FROM:

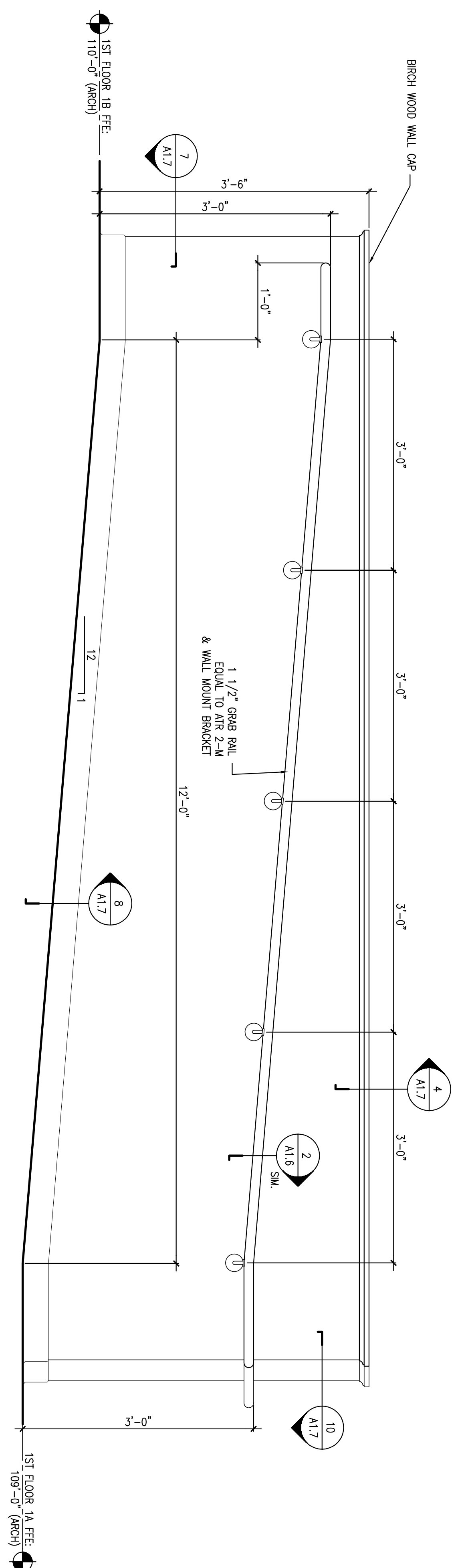
SCALE: 1 1/2" = 1'-0"



4 SECTION @ STAIR

REFERENCED FROM:

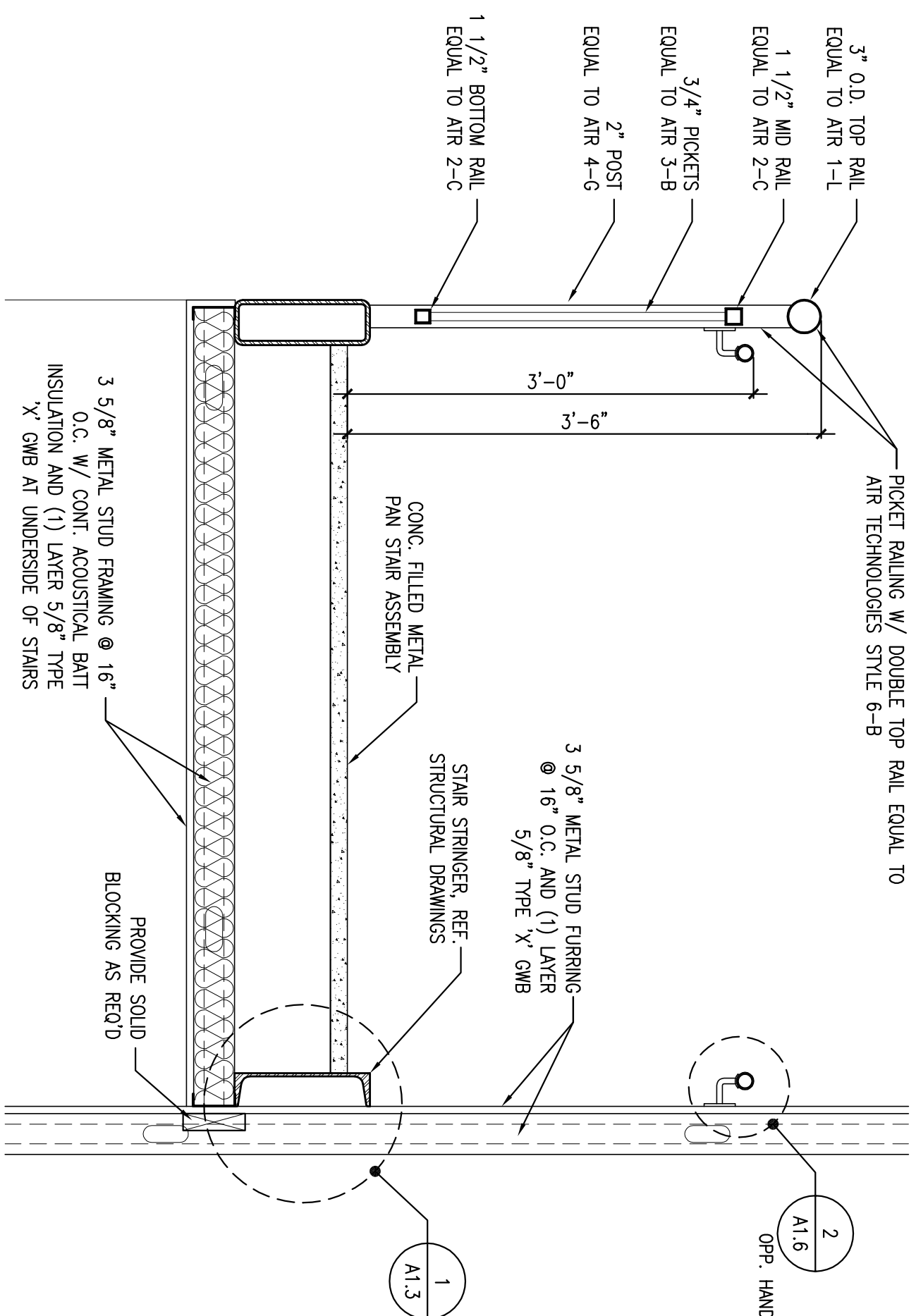
SCALE: 1" = 1'-0"



5 SECTION @ RAMP

REFERENCED FROM:

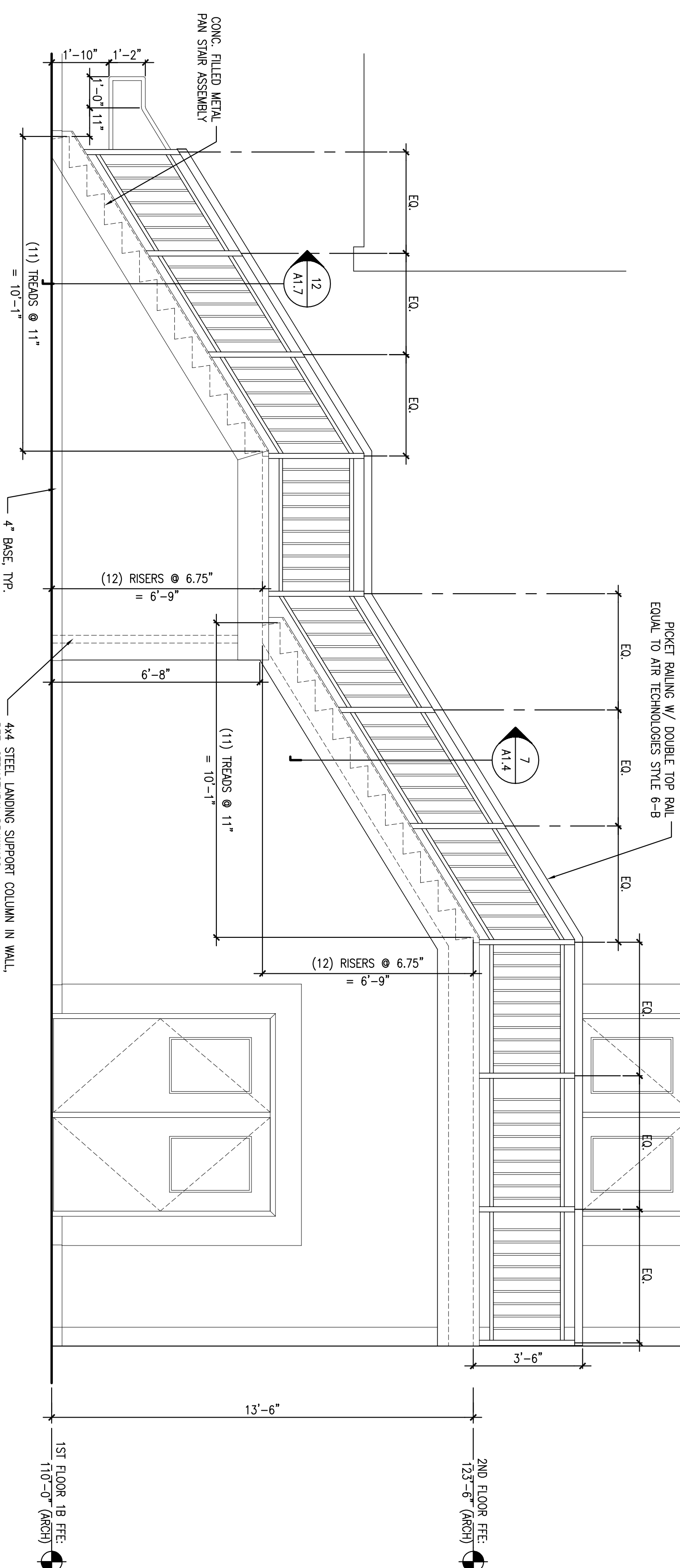
SCALE: 1" = 1'-0"



7 ENLARGED SECTION @ STAIR

REFERENCED FROM:

SCALE: 1" = 1'-0"



8 ELEVATION @ STAIR

REFERENCED FROM:

SCALE: 5/8" = 1'-0"

CWS

CWS Architects

Architects

Space Planning

Value Design

434 Cumberland Avenue
Portland, ME 04101
Phone: (207)774-4441
Fax: (207)774-0018
www.CWSarch.com

Greater
PORTLAND YMCA
c/o Cumberland County YMCA
70 Forest Ave Portland, ME 04101
(207) 874-1111

YMCA
HIGH STREET ENTRY
High Street - Portland, Maine

Product No: 045458e

Drawing Title: **STAIR & RAMP DETAILS & ELEVATIONS**

Scale: AS NOTED

Date: DETAILS

Revisions:

Drawing Number: **A1.4**