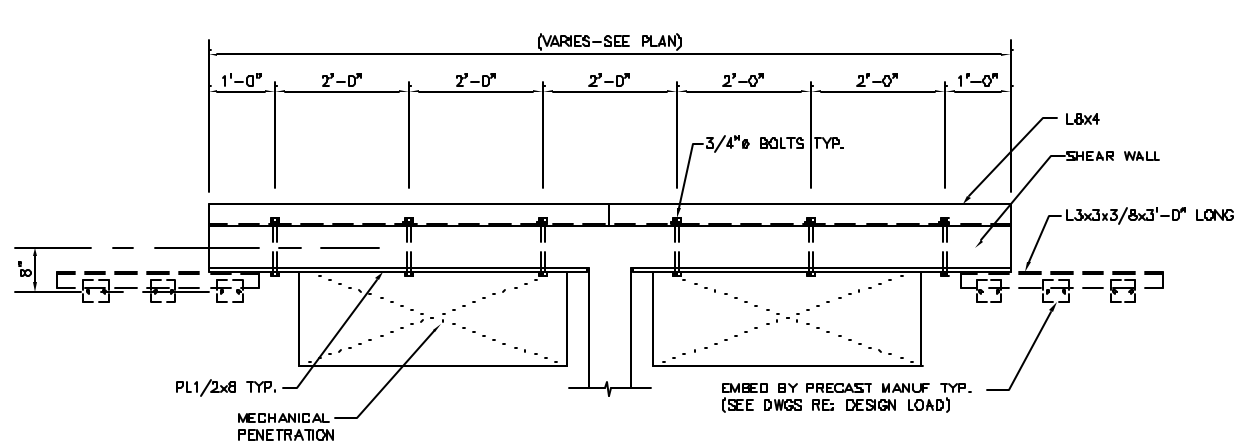
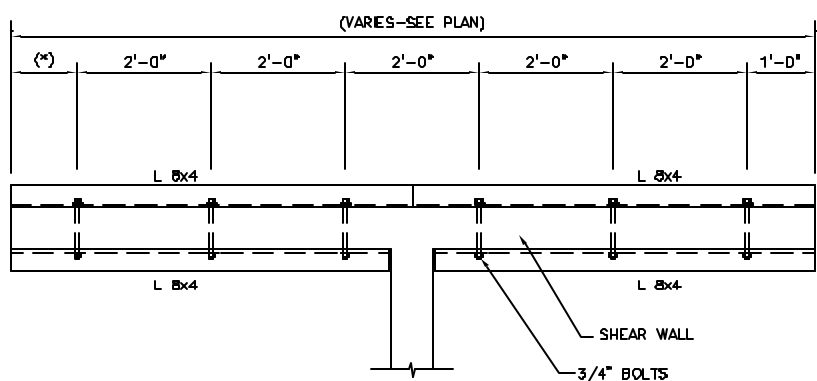


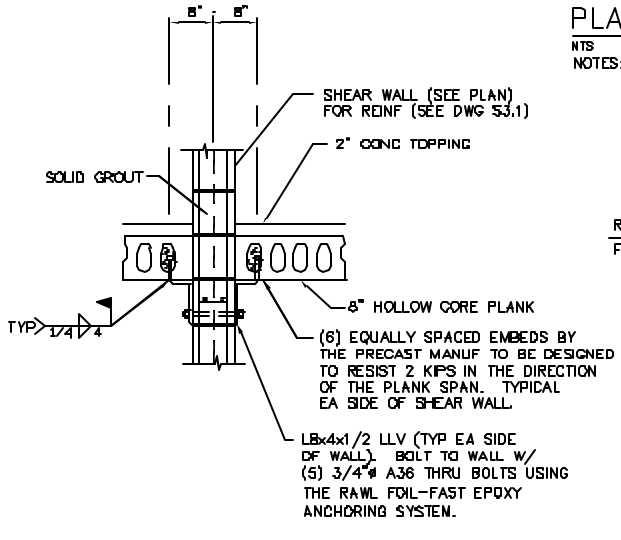
TYP. SHEAR WALL ELEVATION
 NTS
 NOTES: 1. SEE SECTION Y FOR CONNECTIONS.



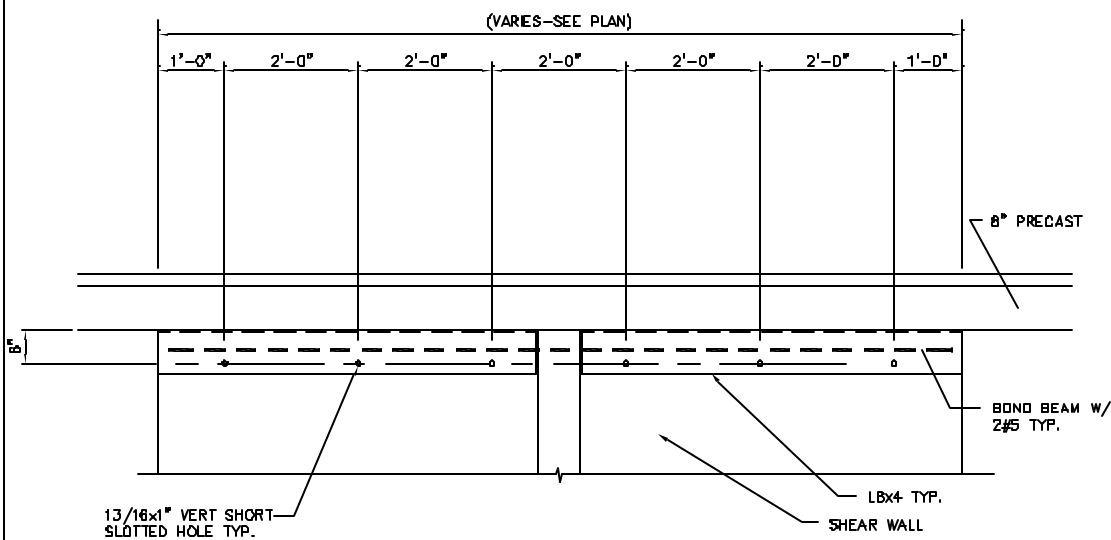
PLAN VIEW-SHEAR WALL
 NTS
 NOTES: 1. SEE SECTION Y FOR CONNECTIONS.



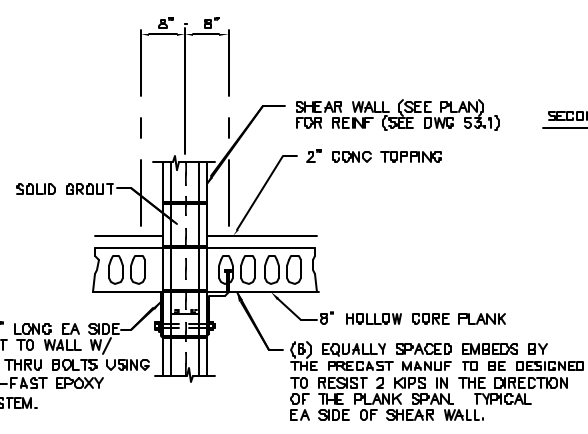
PLAN VIEW-SHEAR WALL
 NTS
 NOTES: 1. SEE SECTION X FOR CONNECTIONS.



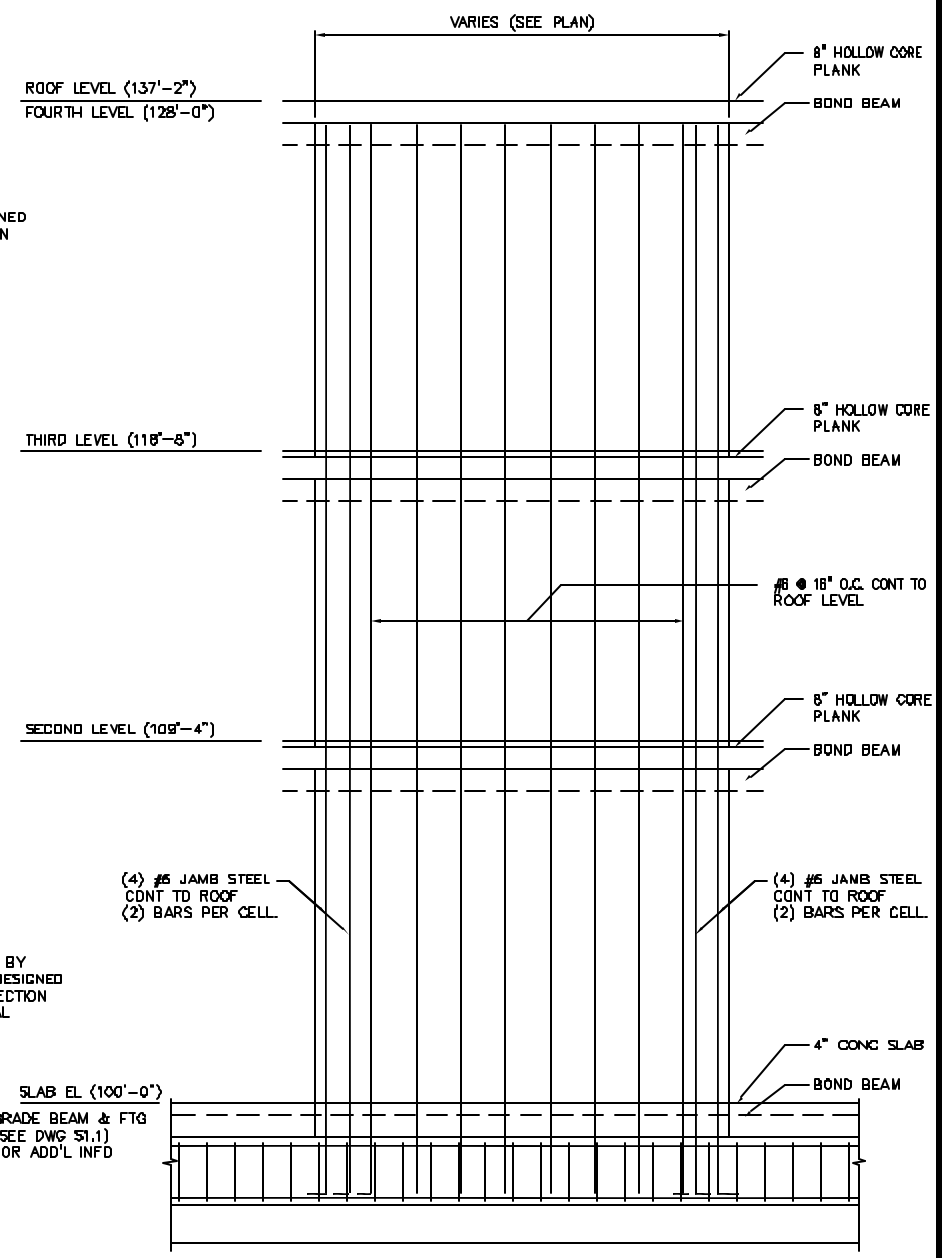
SECTION X-S3.2
 NTS
 NOTE: 1. SHEAR WALL SHALL BE CONTINUOUS THROUGH FLOOR SLABS TYP. ALL LEVELS



ELEVATION-SHEAR WALL
 NTS
 NOTES: 1. SEE SECTION X FOR CONNECTIONS.



SECTION Y-S3.2
 NTS
 NOTE: 1. SHEAR WALL SHALL BE CONTINUOUS THROUGH FLOOR SLABS TYP. ALL LEVELS



TYP. SHEAR WALL (SW) ELEVATION
 3/8" = 1'-0"
 NOTE: 1. GROUT ALL CELLS SOLID AT ALL SHEAR WALLS TYP.

THESE DRAWINGS HAVE BEEN DEVELOPED BY L&L STRUCTURAL ENGINEERING SERVICES, INC. FOR THE TITLE SET ONLY. THE DRAWINGS ARE THE SOLE PROPERTY OF L&L STRUCTURAL ENGINEERING SERVICES, INC. AND THEY SHALL NOT BE LOANED, REPRODUCED OR ALTERED WITHOUT THE WRITTEN CONSENT OF L&L STRUCTURAL ENGINEERING SERVICES, INC.

CWS
 CWS Architects
 Architecture
 Space Planning
 Value Design
 434 Cumberland Avenue
 Portland, ME 04101
 Phone: (207)774-4441
 Fax: (207)774-4819
 www.CWSarch.com

STATE OF MAINE
 F. LEAHUE
 PROFESSIONAL ENGINEER

CCYSRO, L.P.
 c/o Cumberland County YMCA
 76 Forest Ave Portland, ME 04101
 (201) 814-1111

YMCA APARTMENTS at 231 HIGH STREET
 High Street - Portland, Maine

Project No: 23051

Drawing Title: **SHEAR WALL DETAILS**

Scale: 3/4" = 1'-0"
 Date: DECEMBER 11, 2014

Revisions:

Drawing Number: **S3.3**

ISSUED FOR PERMITTING