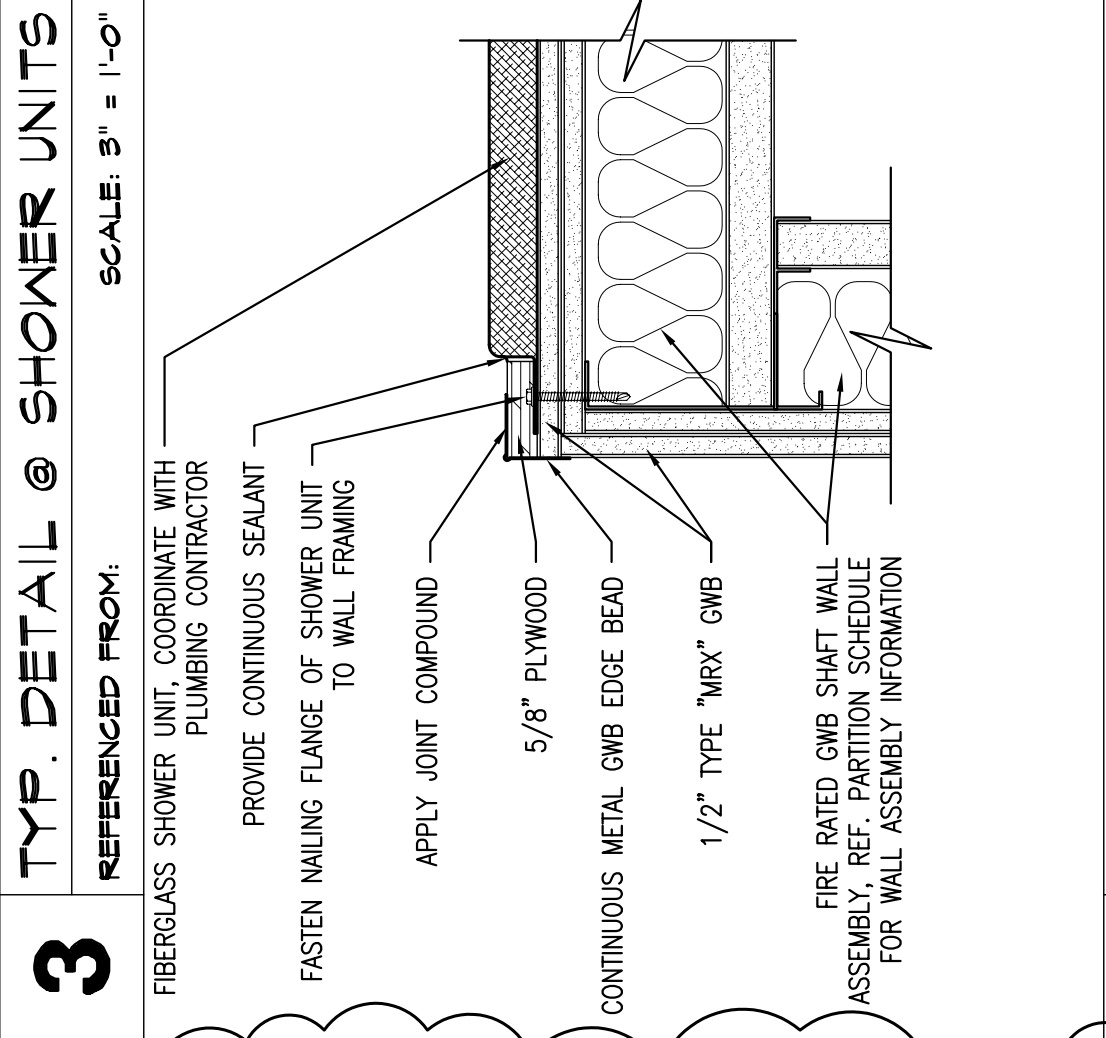
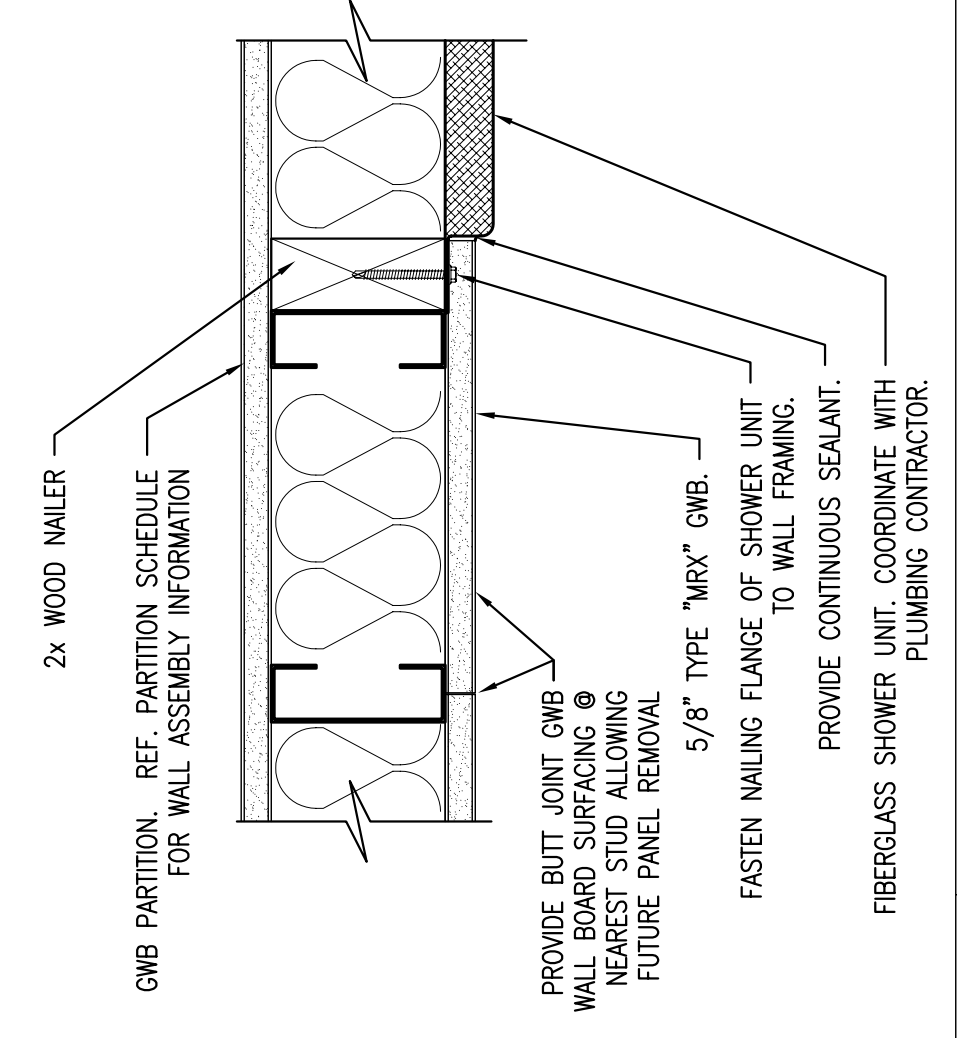
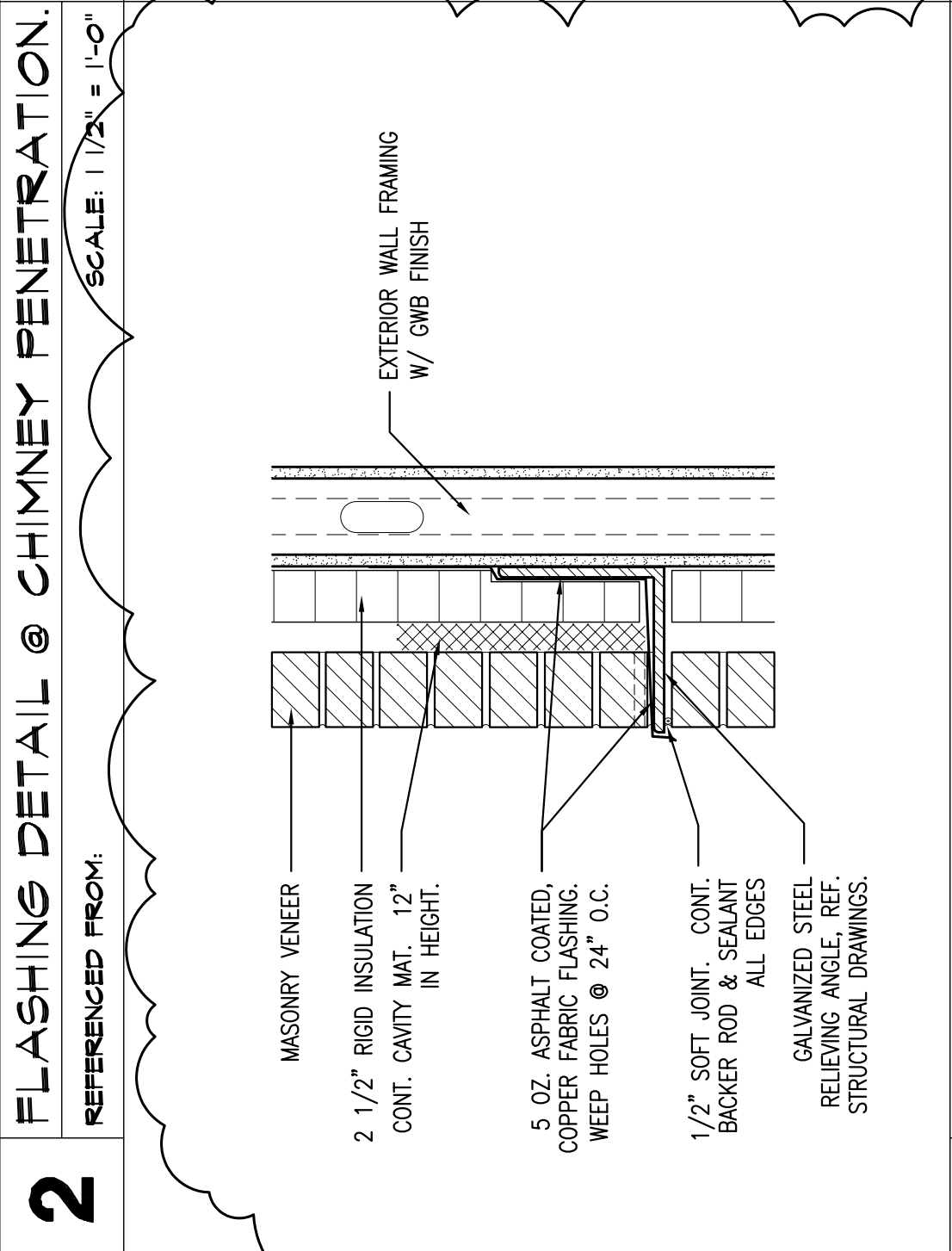
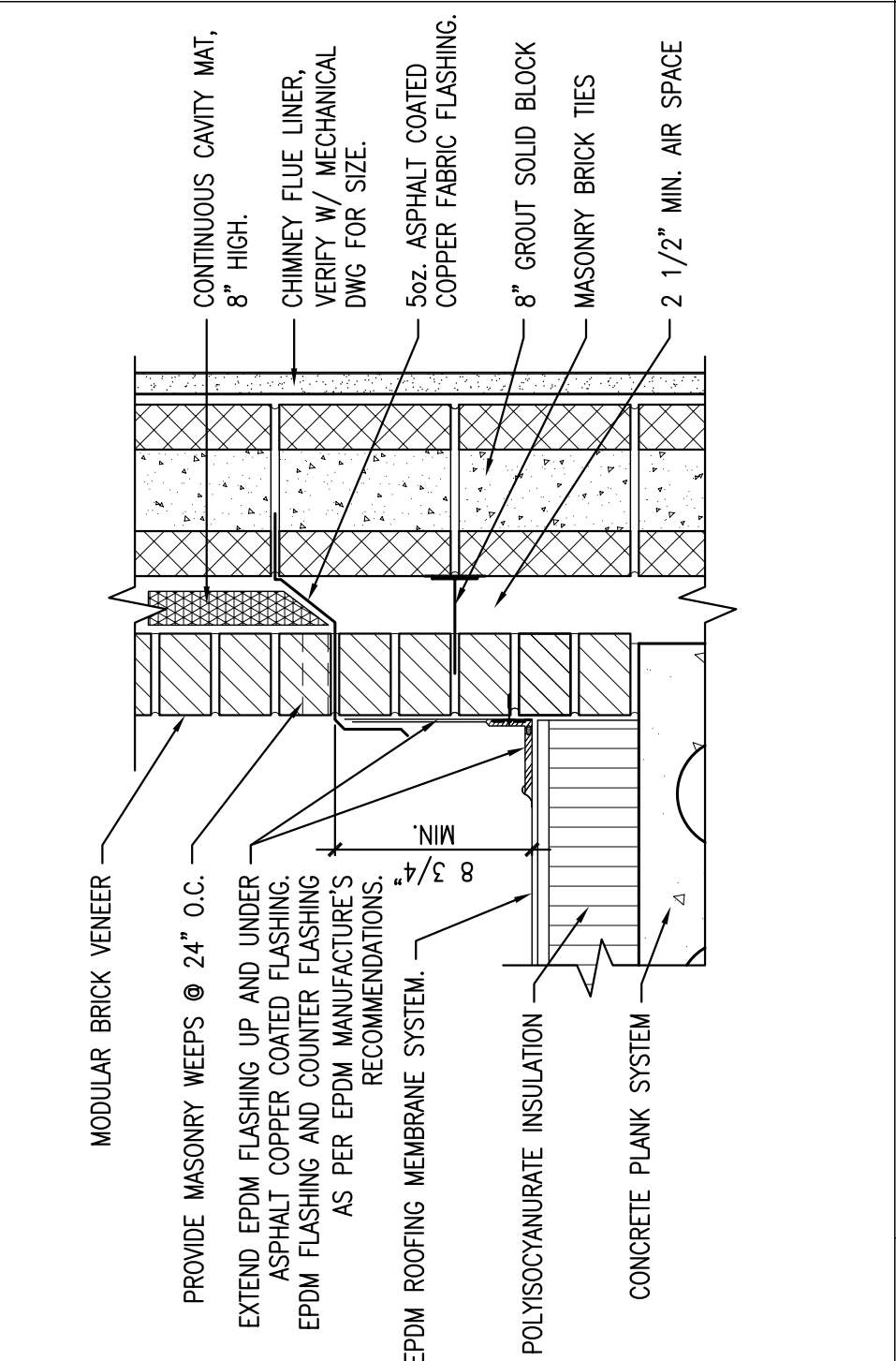


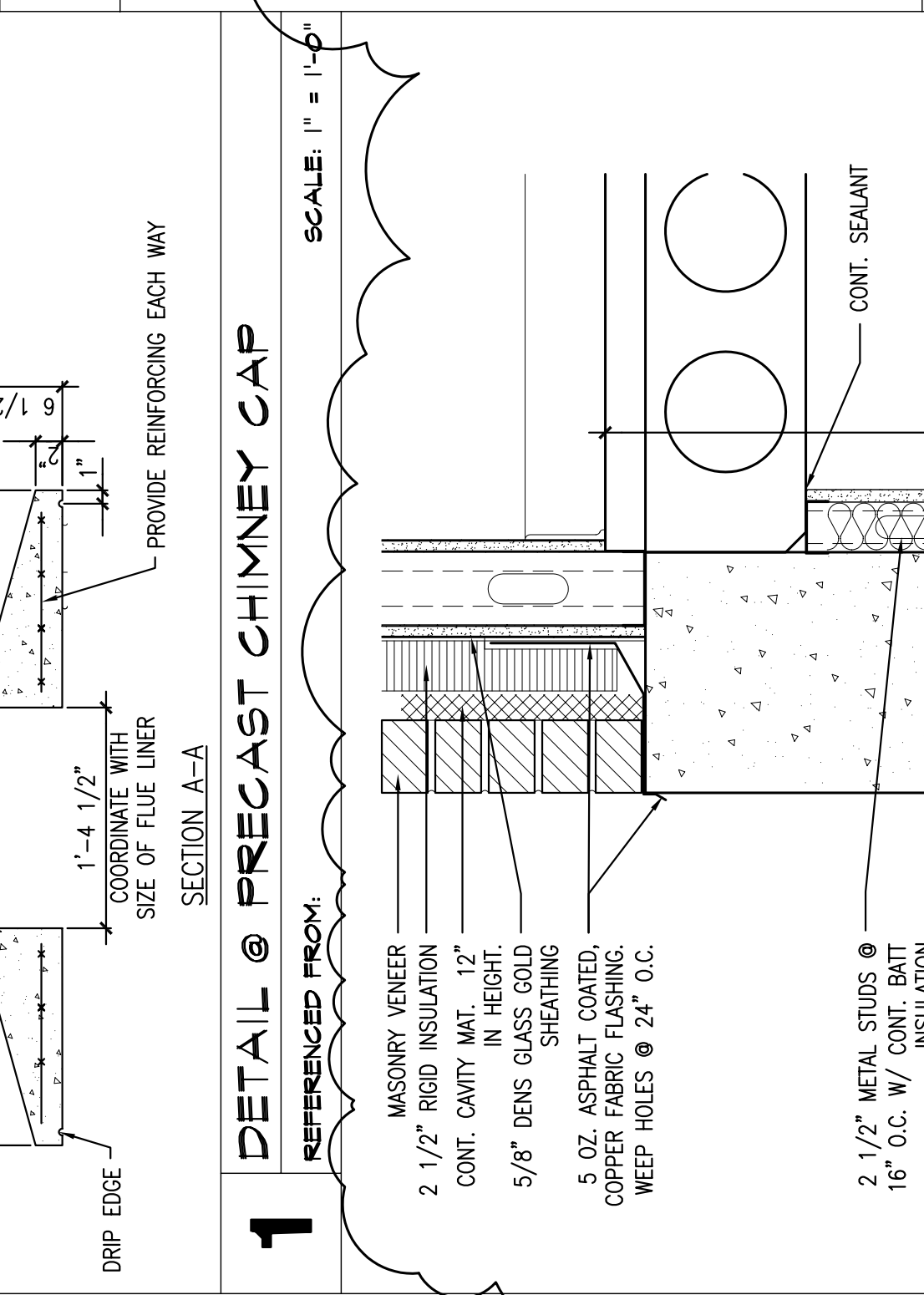
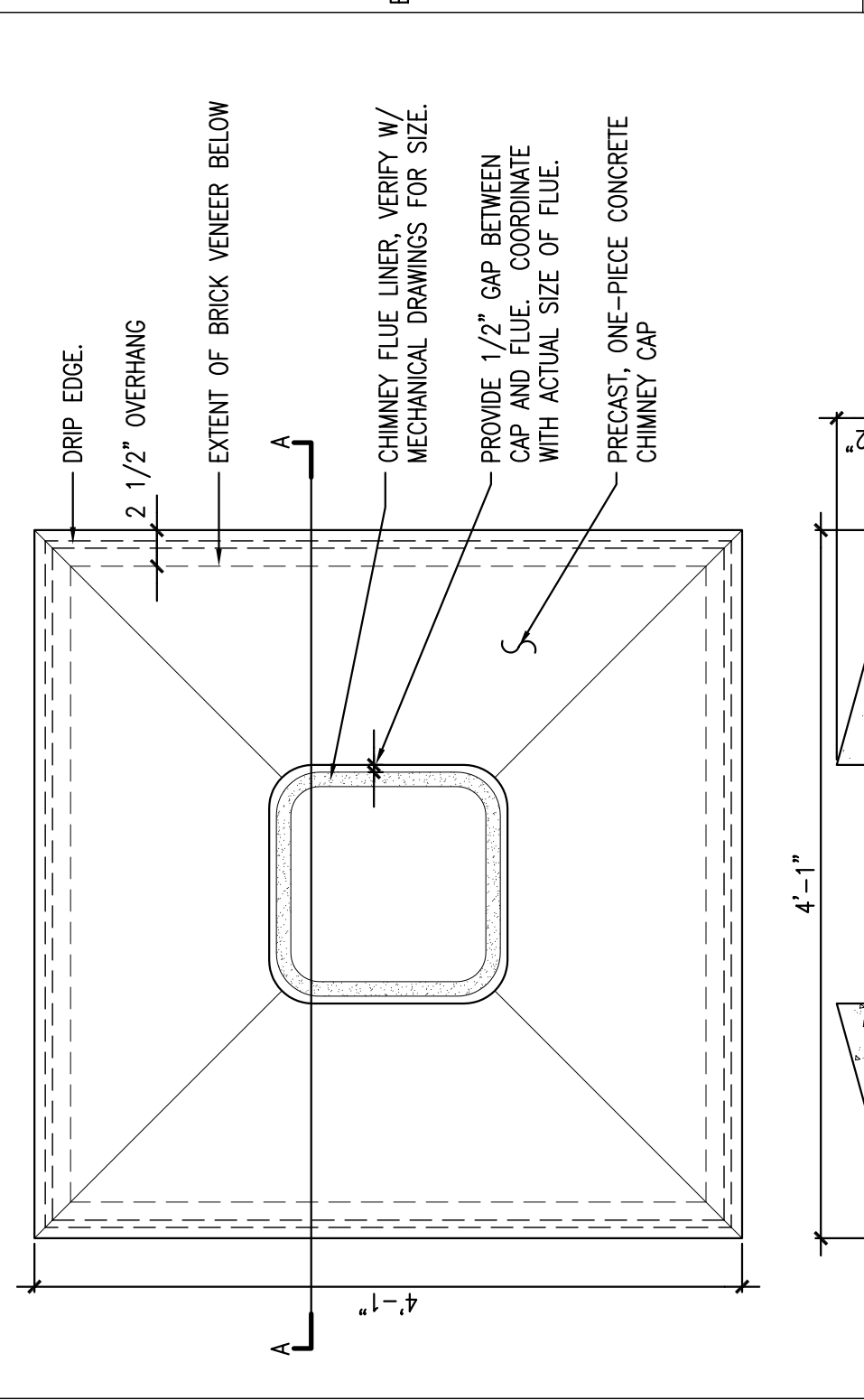
1 **DETAIL @ PRECAST CHIMNEY CAP**
 REFERENCED FROM:
 SCALE: 1/2" = 1'-0"



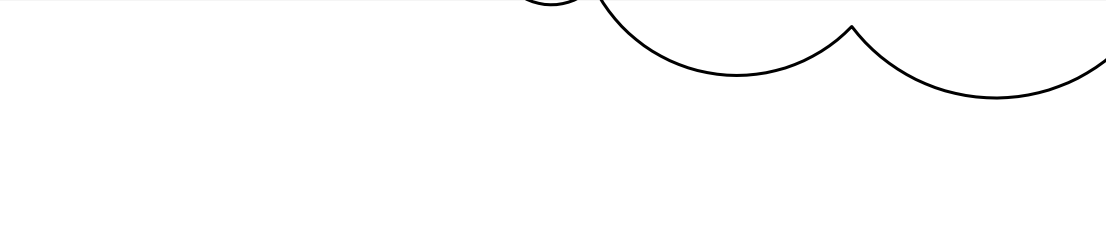
3 **TYP. DETAIL @ SHOWER UNITS**
 REFERENCED FROM:
 SCALE: 3/4" = 1'-0"



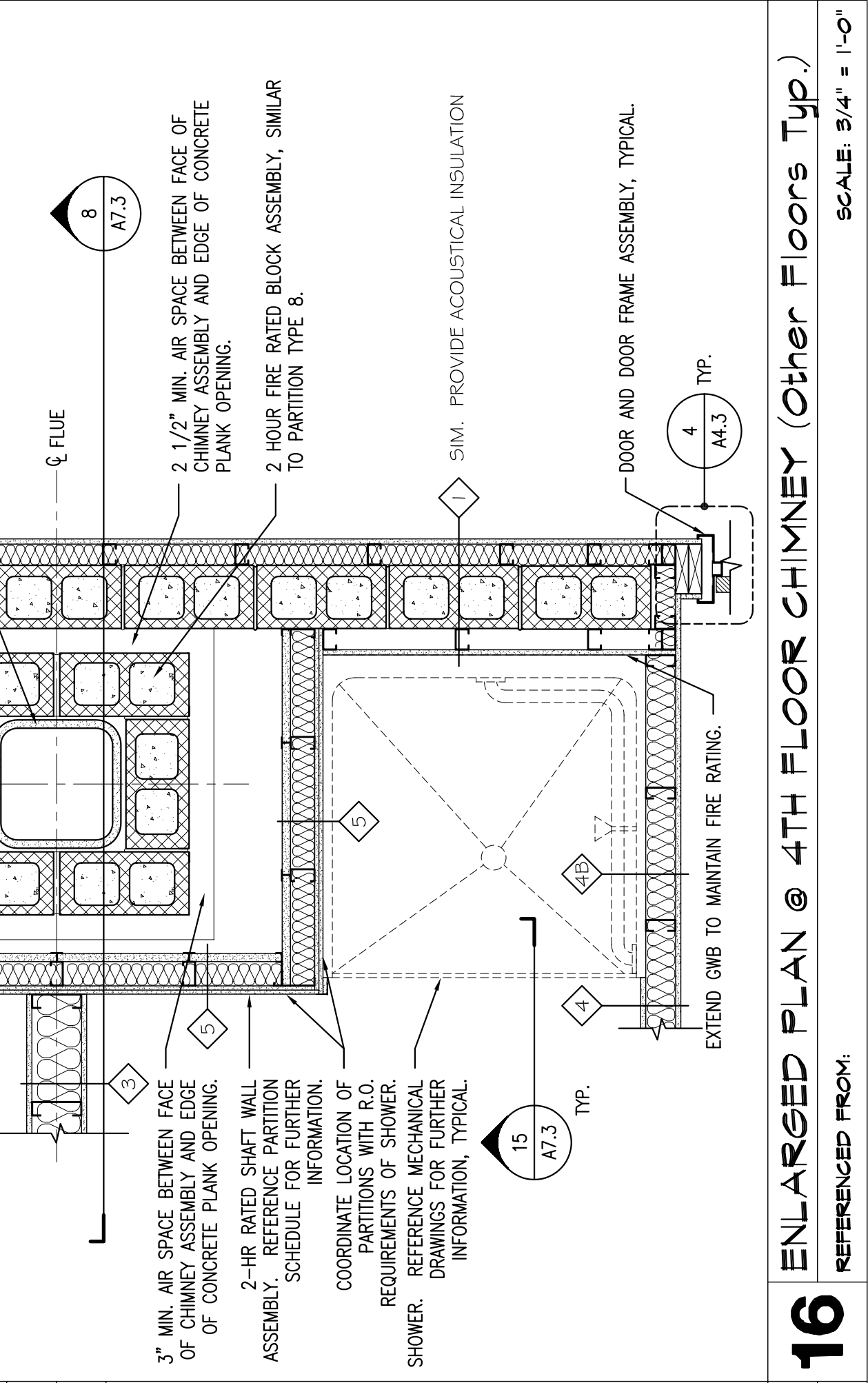
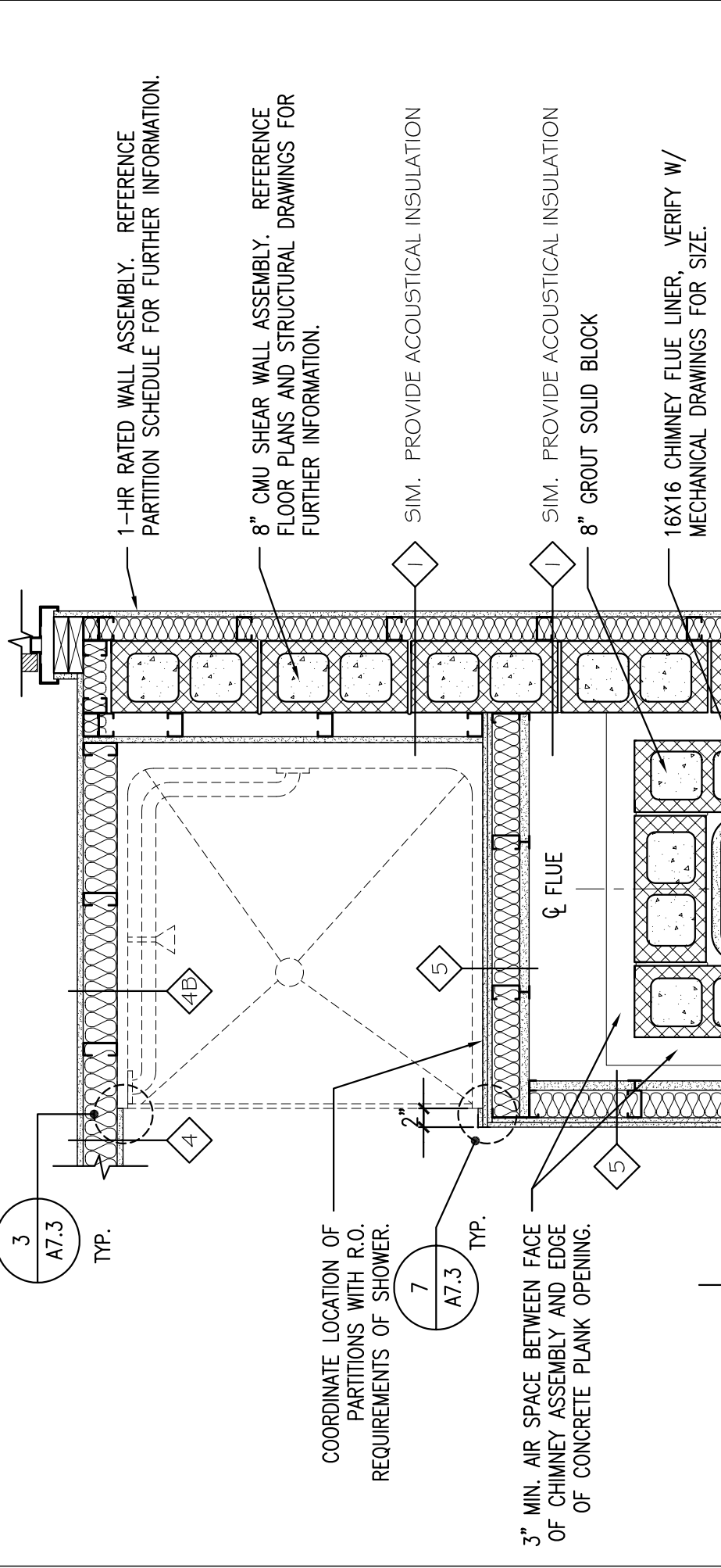
2 **FLASHING DETAIL @ CHIMNEY PENETRATION**
 REFERENCED FROM:
 SCALE: 1/2" = 1'-0"



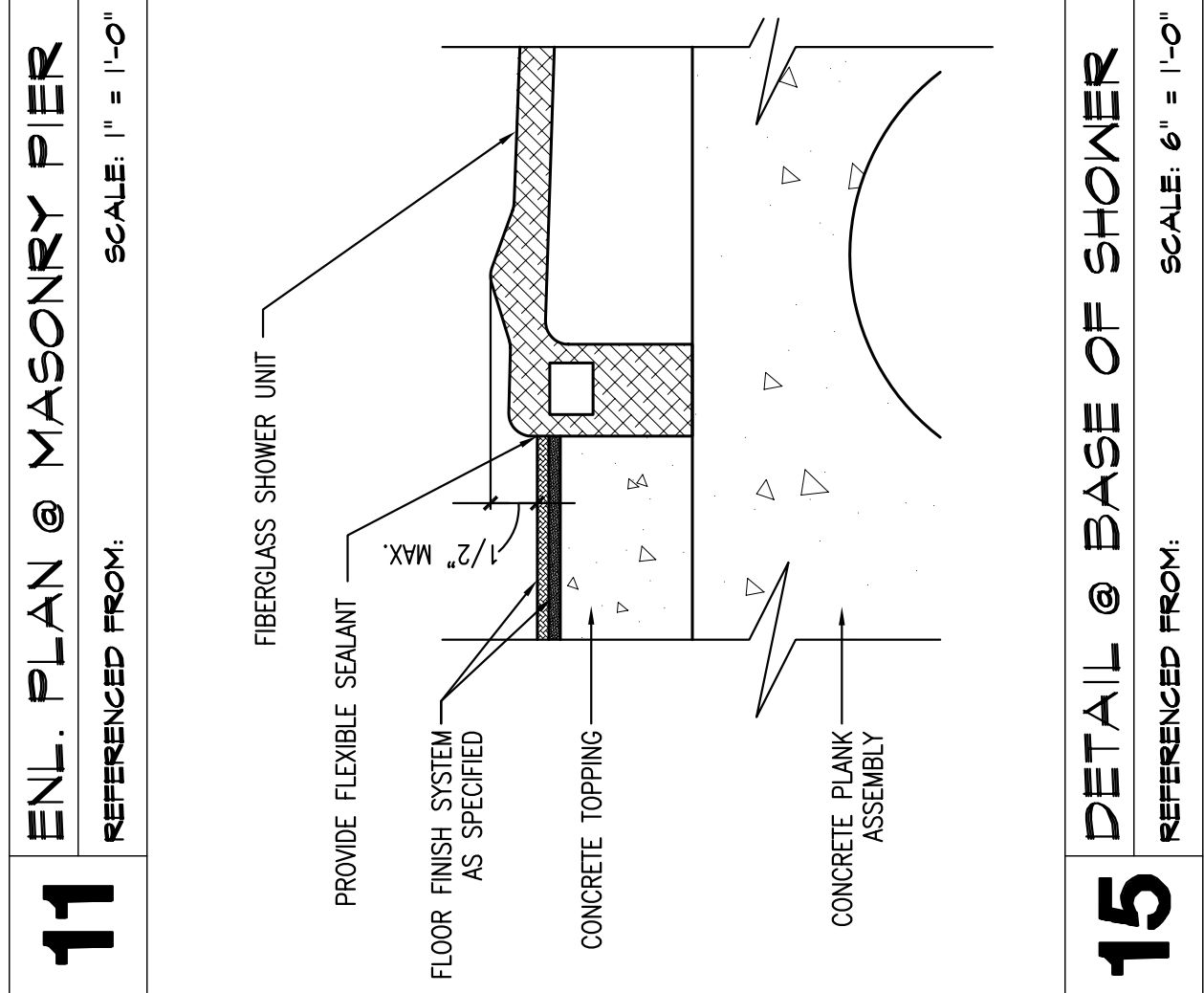
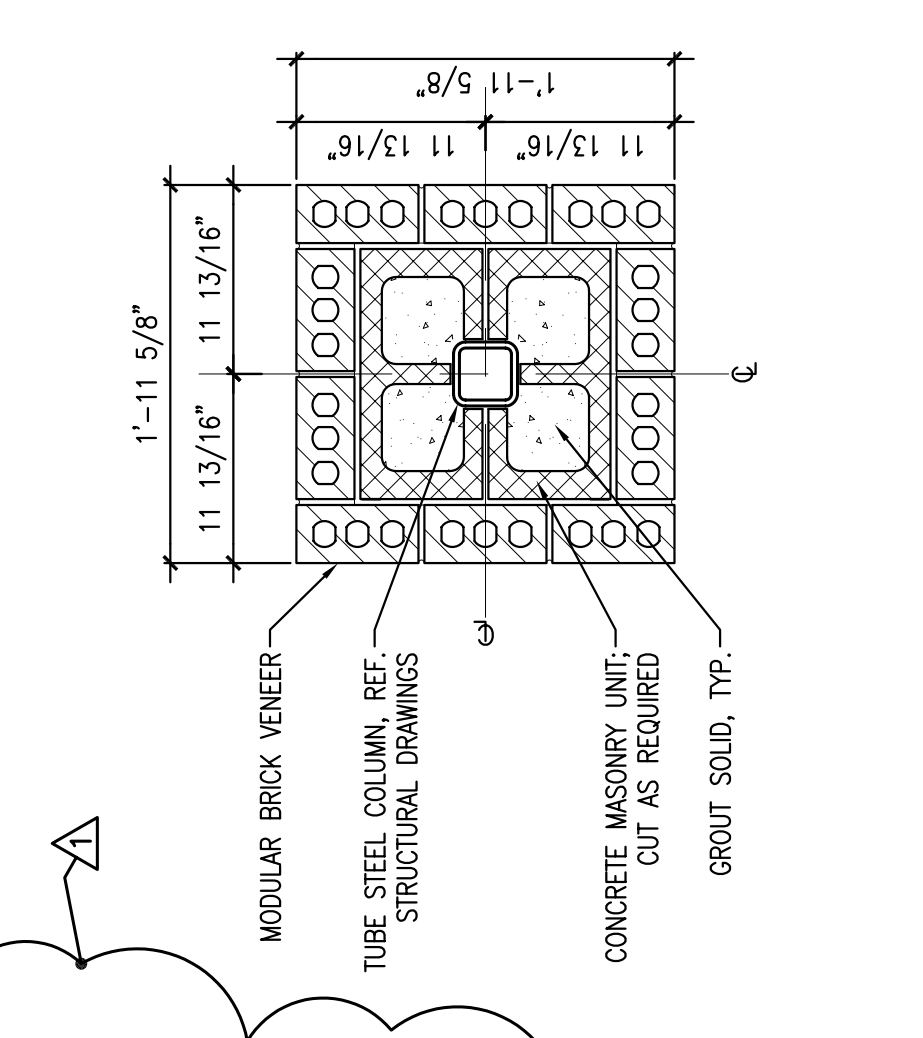
7 **TYP. DETAIL @ SHOWER UNITS**
 REFERENCED FROM:
 SCALE: 3/4" = 1'-0"



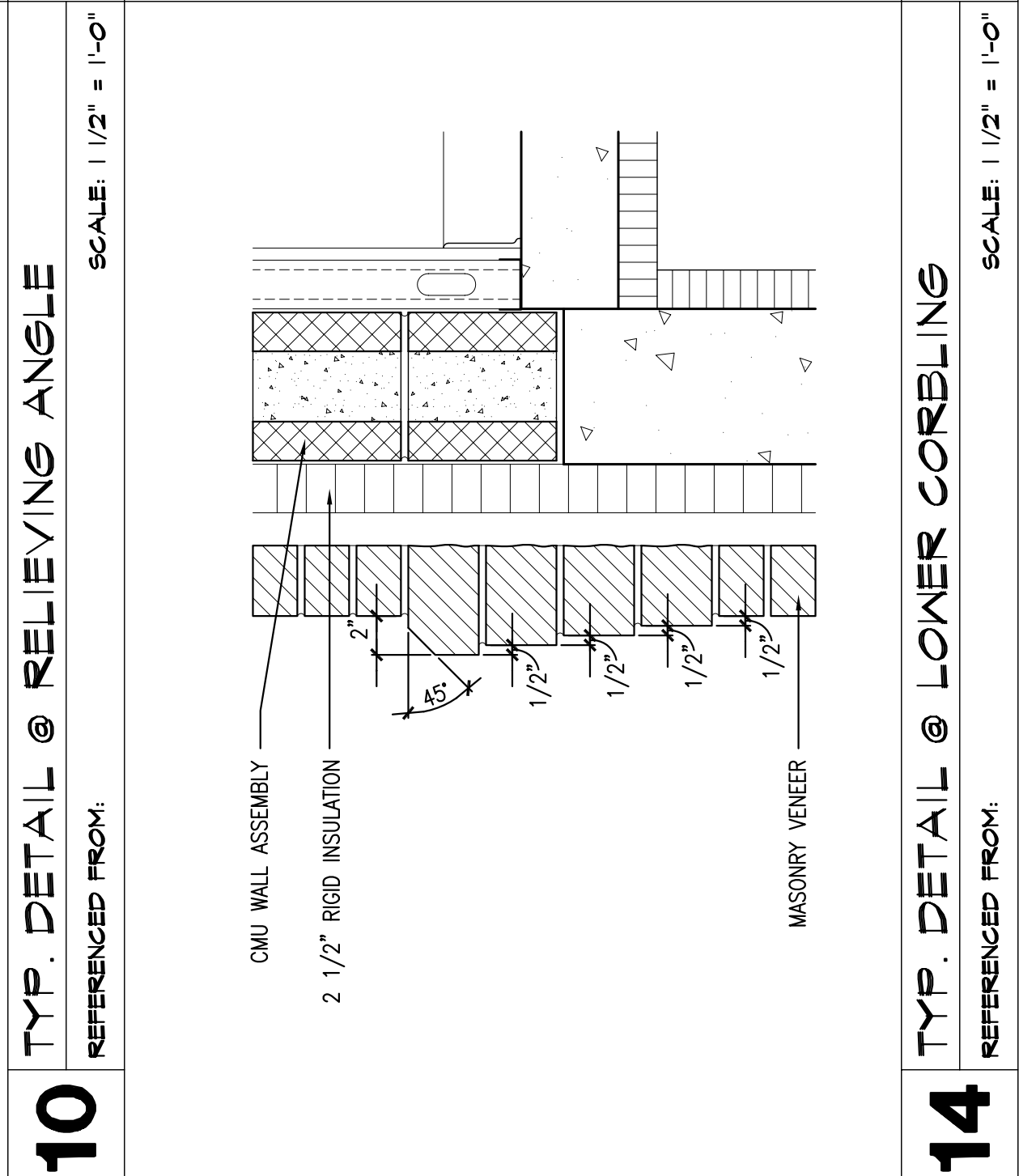
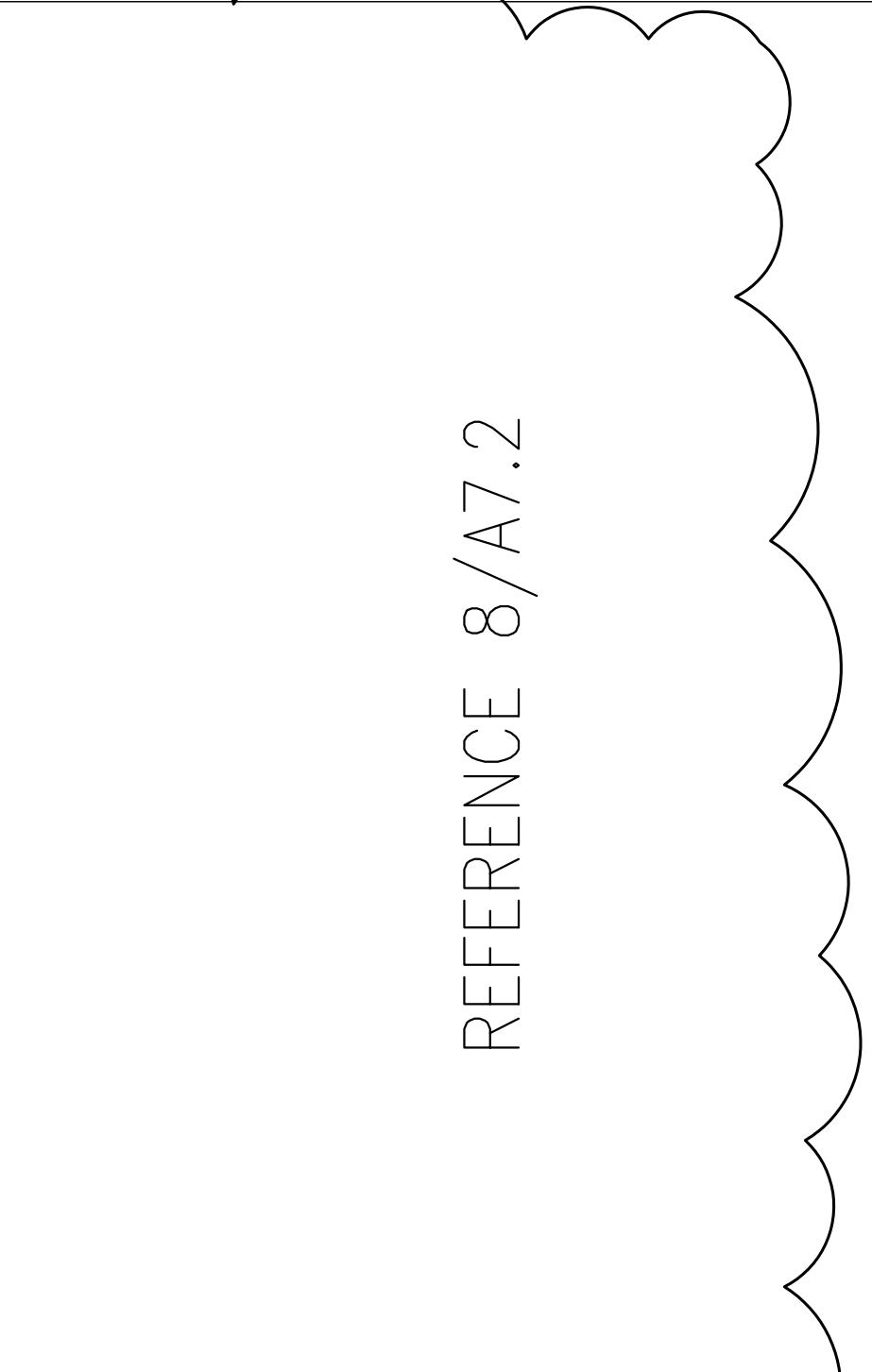
6 **TYP. DETAIL @ RELIEVING ANGLE**
 REFERENCED FROM:
 SCALE: 1/2" = 1'-0"



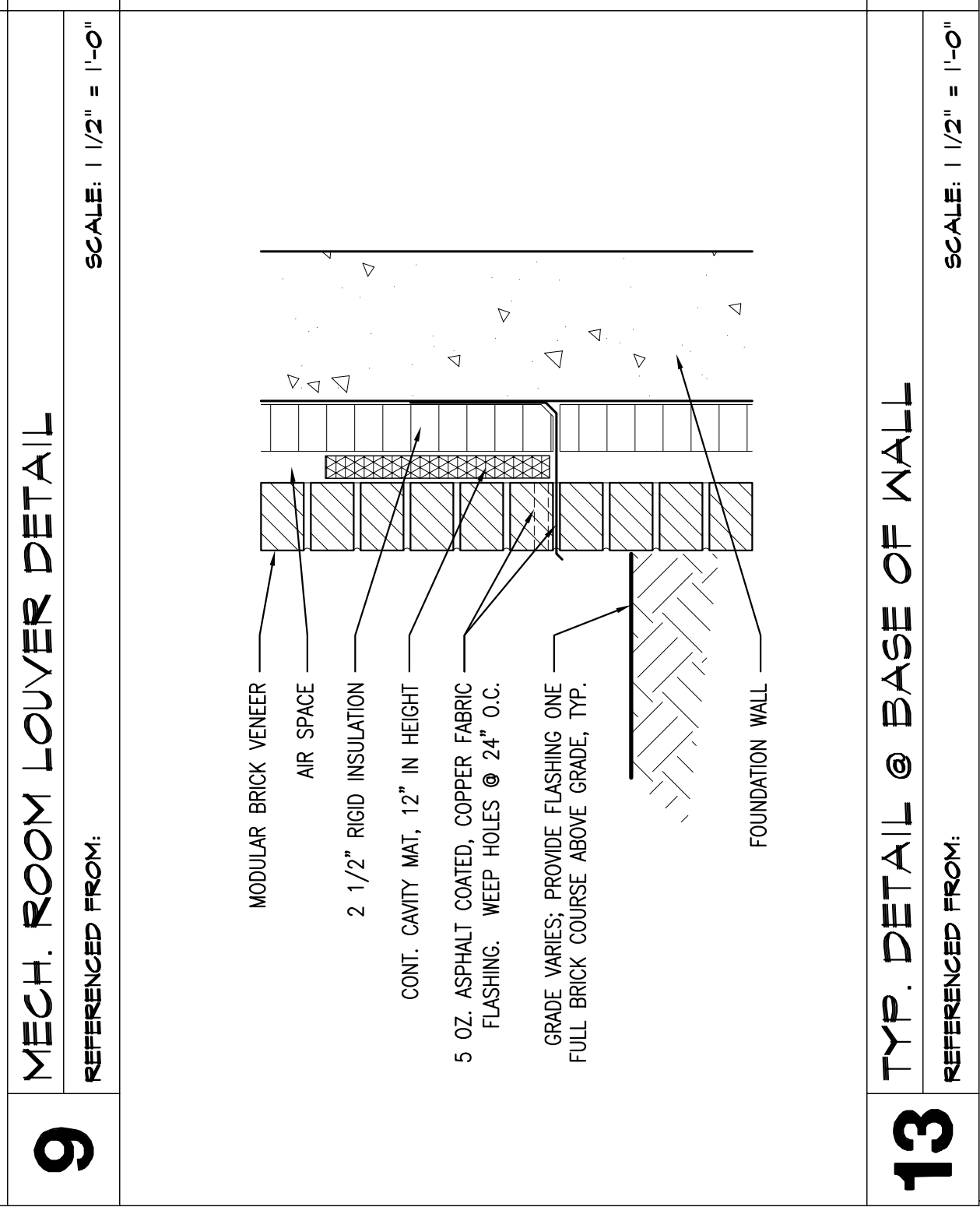
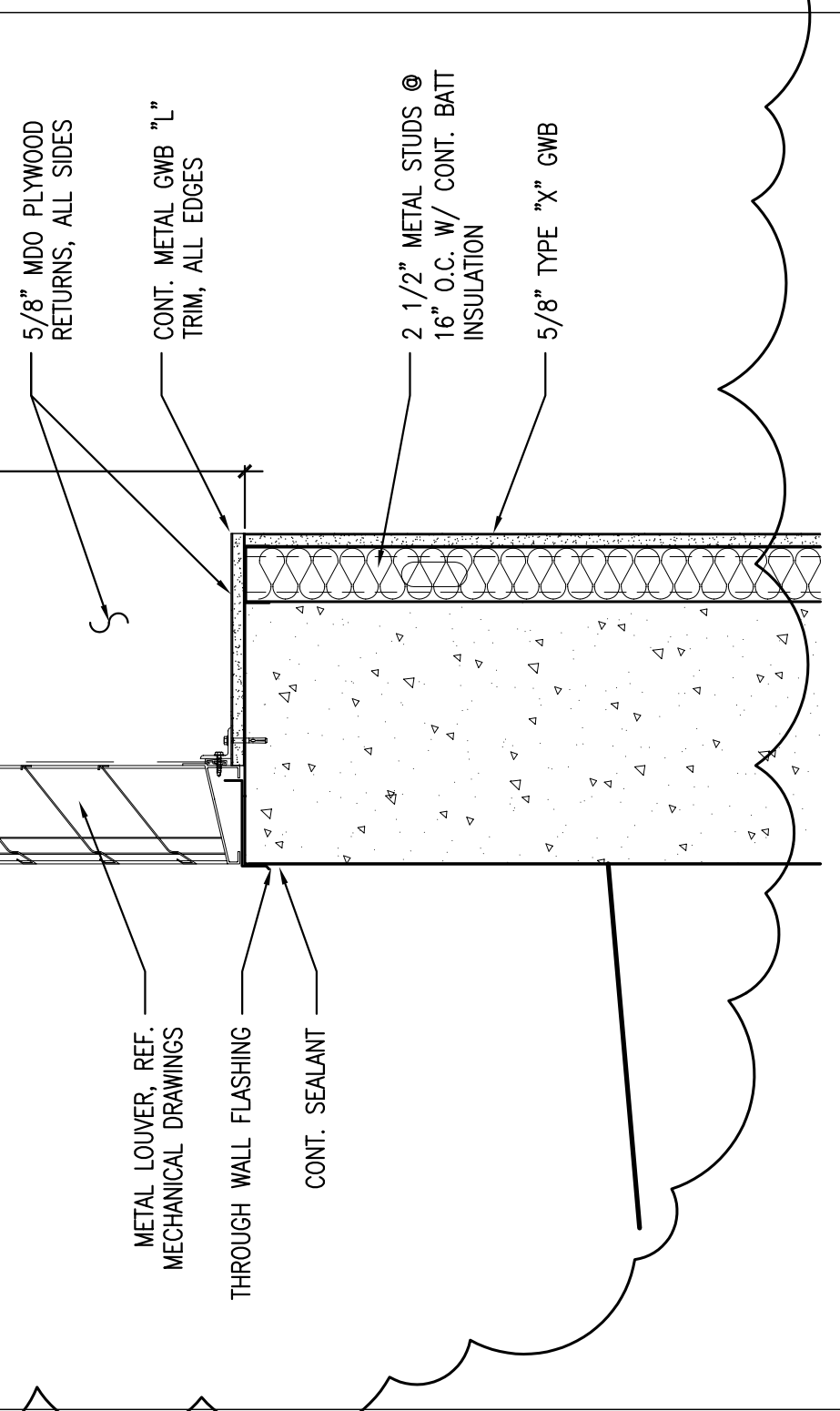
8 **CHIMNEY SECTION @ 4TH FLOOR & ROOF (Other Floors Typ.)**
 REFERENCED FROM:
 SCALE: 3/4" = 1'-0"



11 **ENL. PLAN @ MASONRY PIER**
 REFERENCED FROM:
 SCALE: 1" = 1'-0"



10 **TYP. DETAIL @ RELIEVING ANGLE**
 REFERENCED FROM:
 SCALE: 1/2" = 1'-0"



15 **DETAIL @ BASE OF SHOWER**
 REFERENCED FROM:
 SCALE: 6" = 1'-0"



13 **TYP. DETAIL @ BASE OF WALL**
 REFERENCED FROM:
 SCALE: 1/2" = 1'-0"