



CWS Architects
 Architecture
 Space Planning
 Value Design

434 Cumberland Avenue
 Portland, ME 04101
 Phone: (207)774-4141
 Fax: (207)774-4016
 www.CWSarch.com

Owner:
 Client:

CCYSRO, L.P.
 c/o Cumberland County YMCA
 70 Forest Ave Portland, ME 04101
 (207) 874-1111

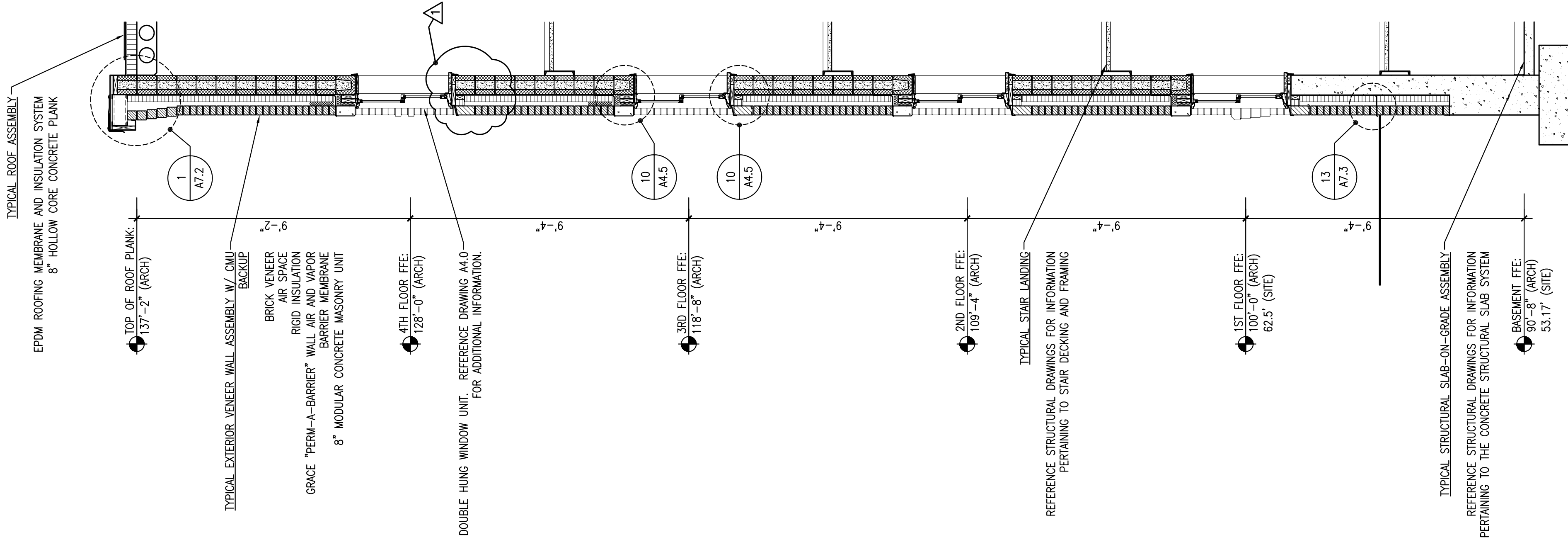
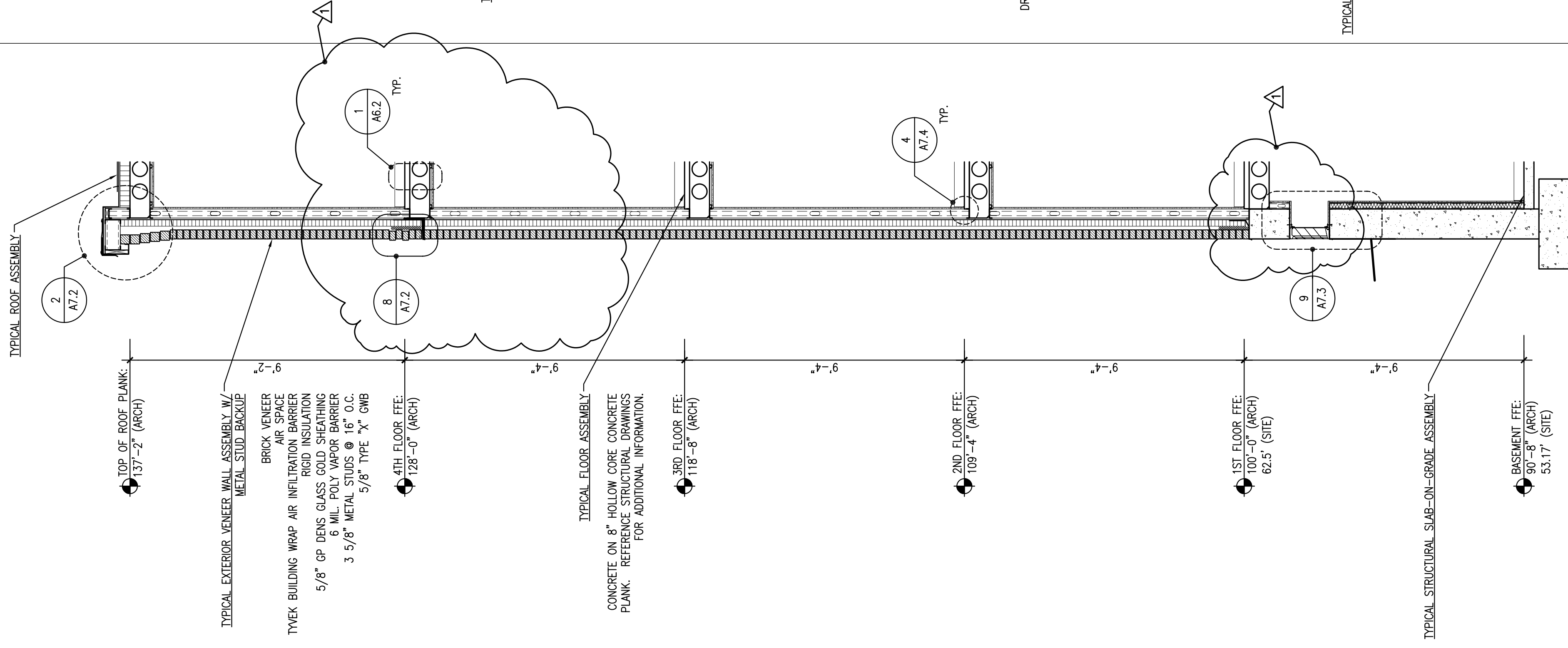
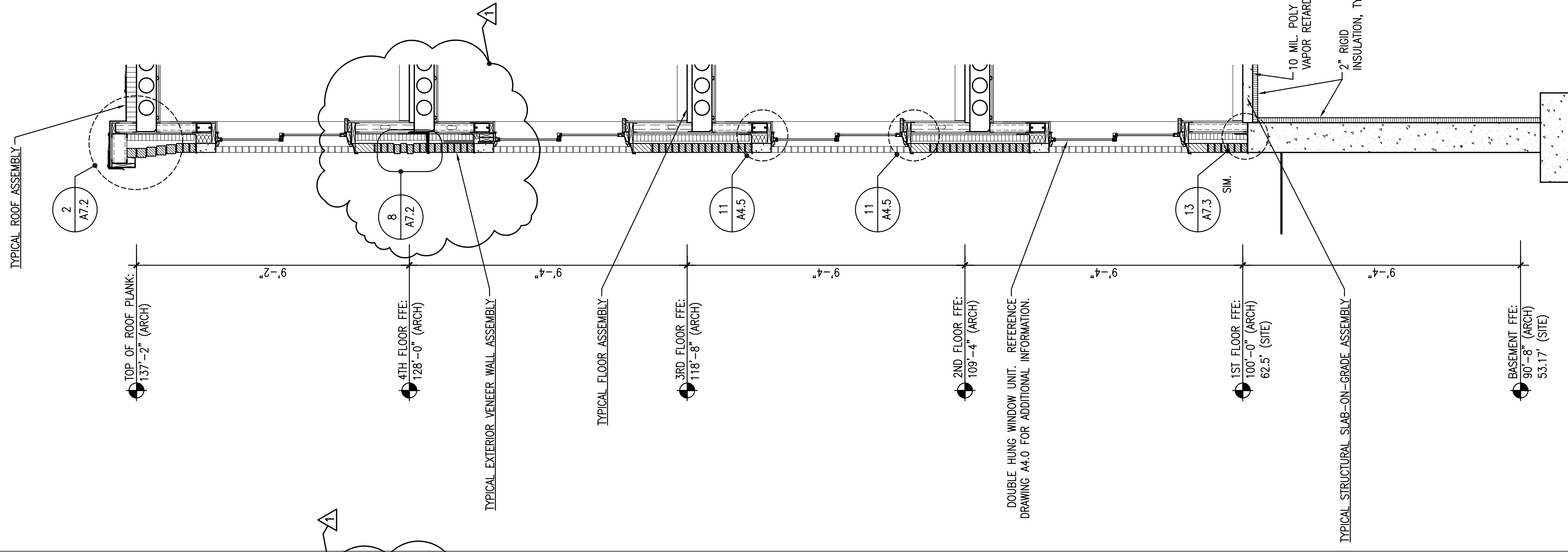
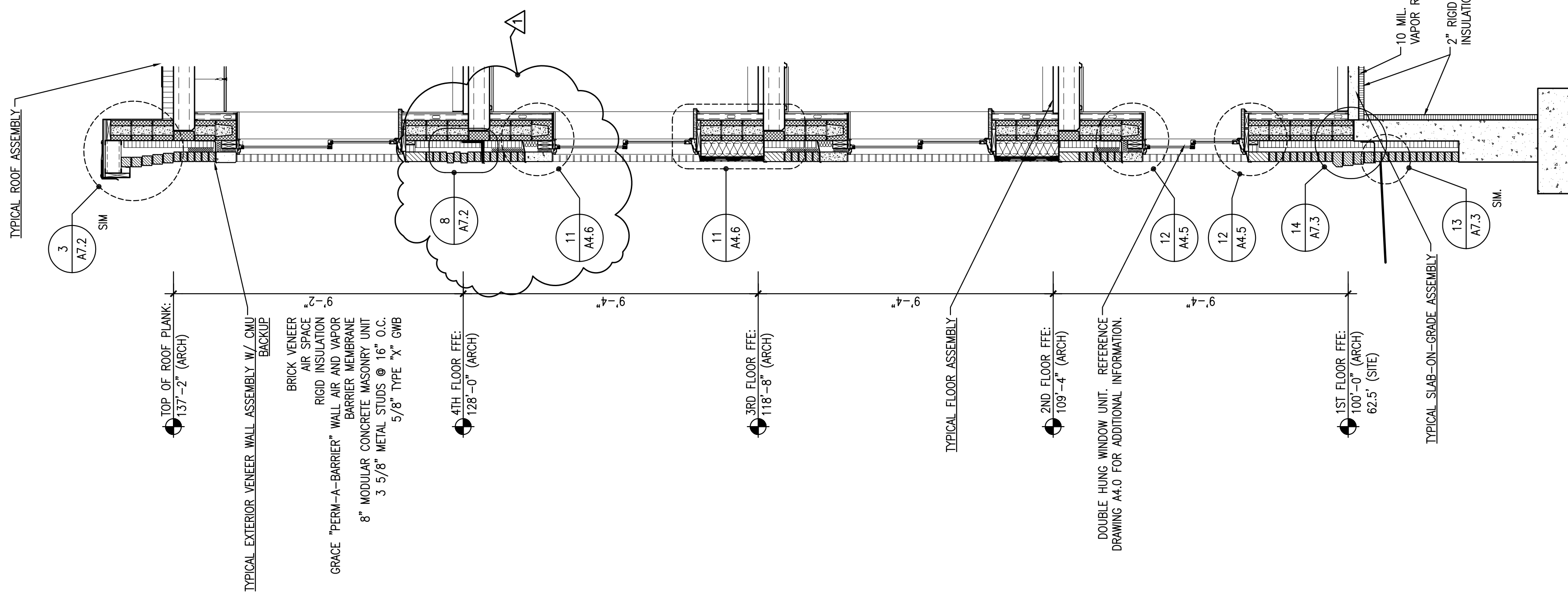
**YMCA APARTMENTS
 at 231
 HIGH STREET**
 High Street - Portland, Maine

Project No: 03407ysh
 Drawing Title:
**WALL
 SECTIONS**

Scale: 3/8" = 1'-0"
 Date: DECEMBER 10, 2004
 Revisions:
 VALUE ENGINEERING REVS
 12/10/04

Drawing Number:
A6.1

ISSUED FOR PERMITTING 12/10/04



SCALE: 3/8" = 1'-0" | SCALE: 3/8" = 1'-0" | SCALE: 3/8" = 1'-0" | SCALE: 3/8" = 1'-0"