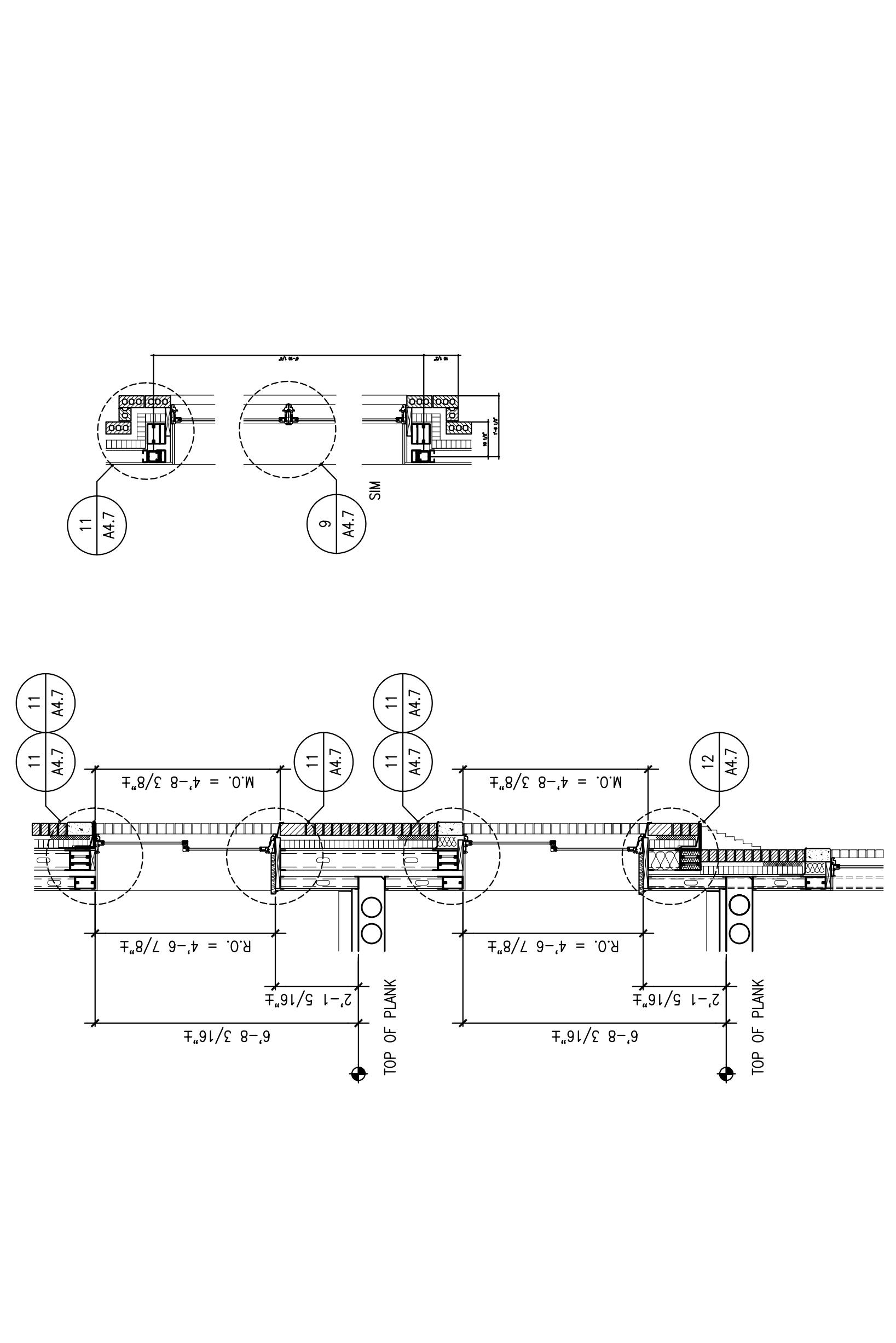
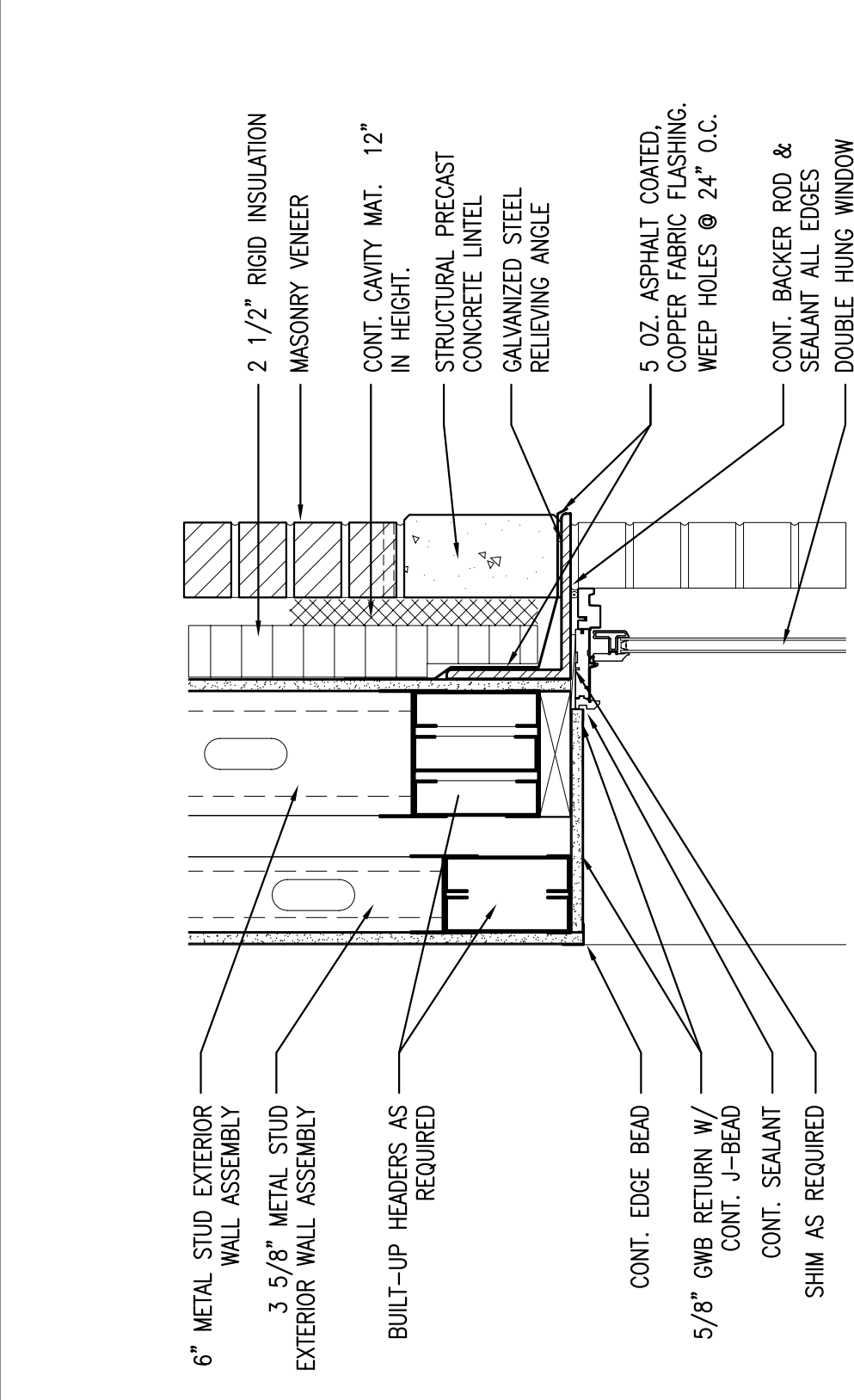


FACTORY MULLION DOUBLE-HUNG WINDOW PAIR - SEE WINDOW SCHEDULE FOR DETAILS

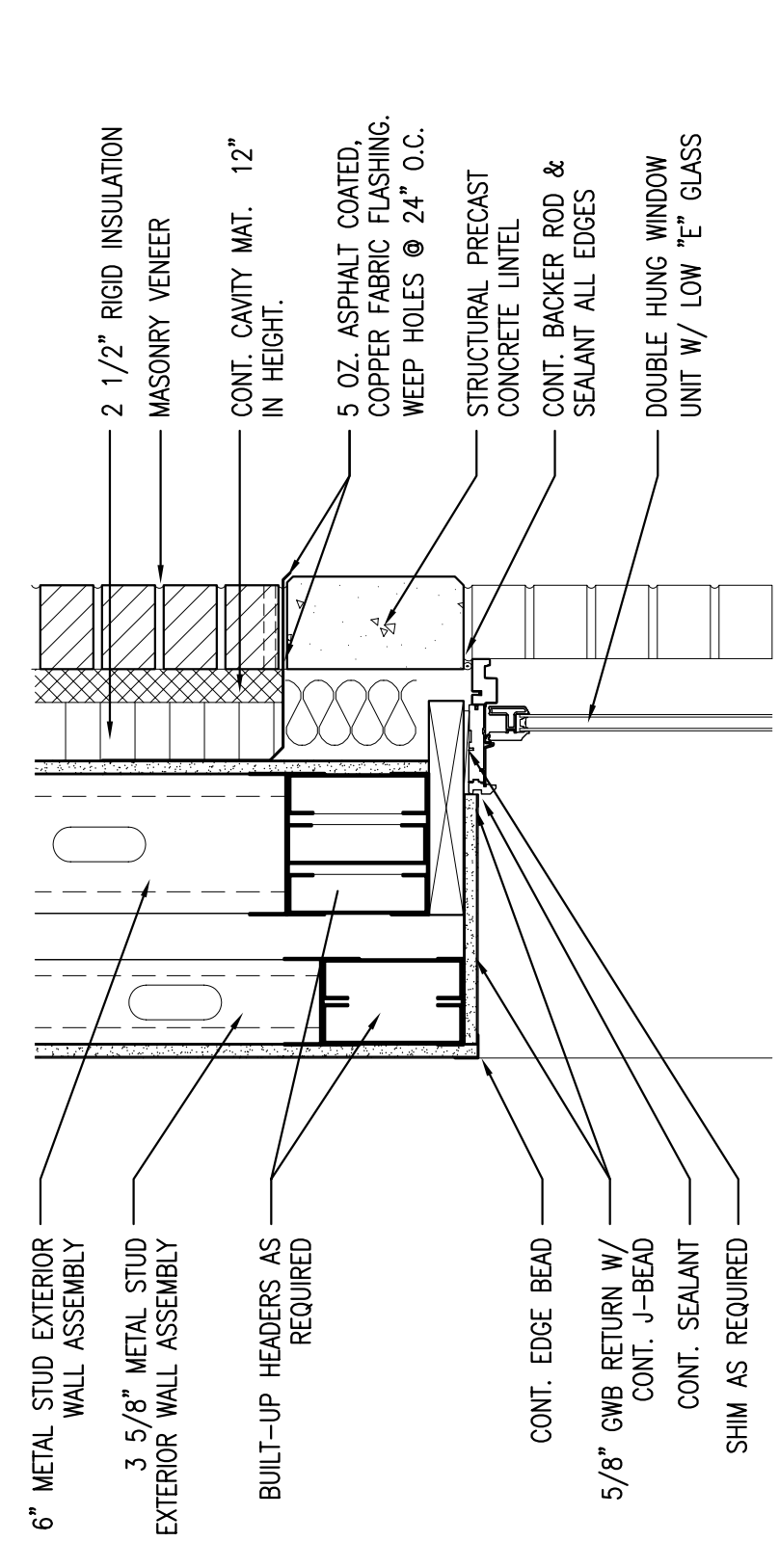


1 WINDOW TYP. "6" ELEVATIONS
 REFERENCED FROM: _____

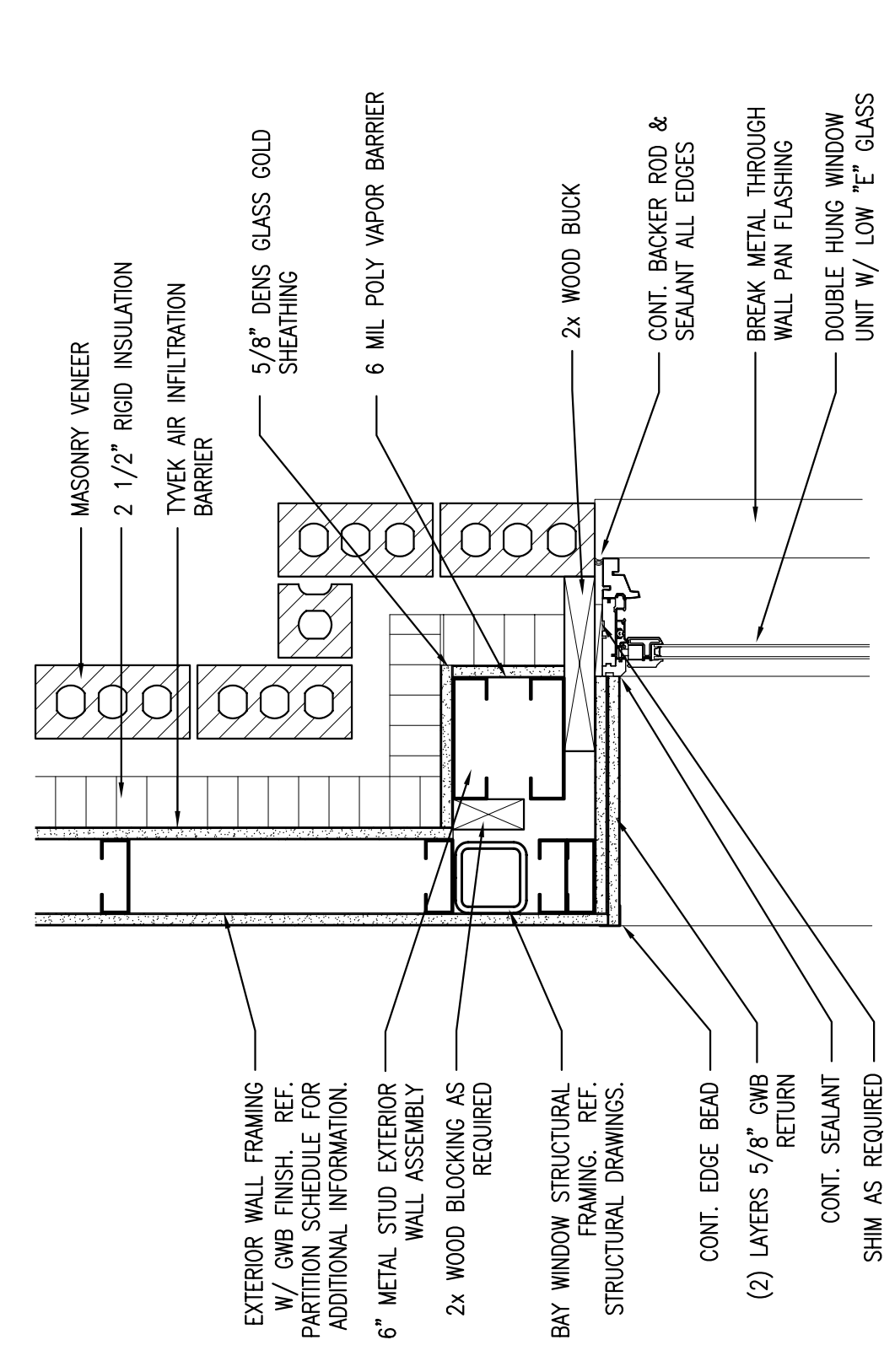
SCALE: 3/8" = 1'-0"



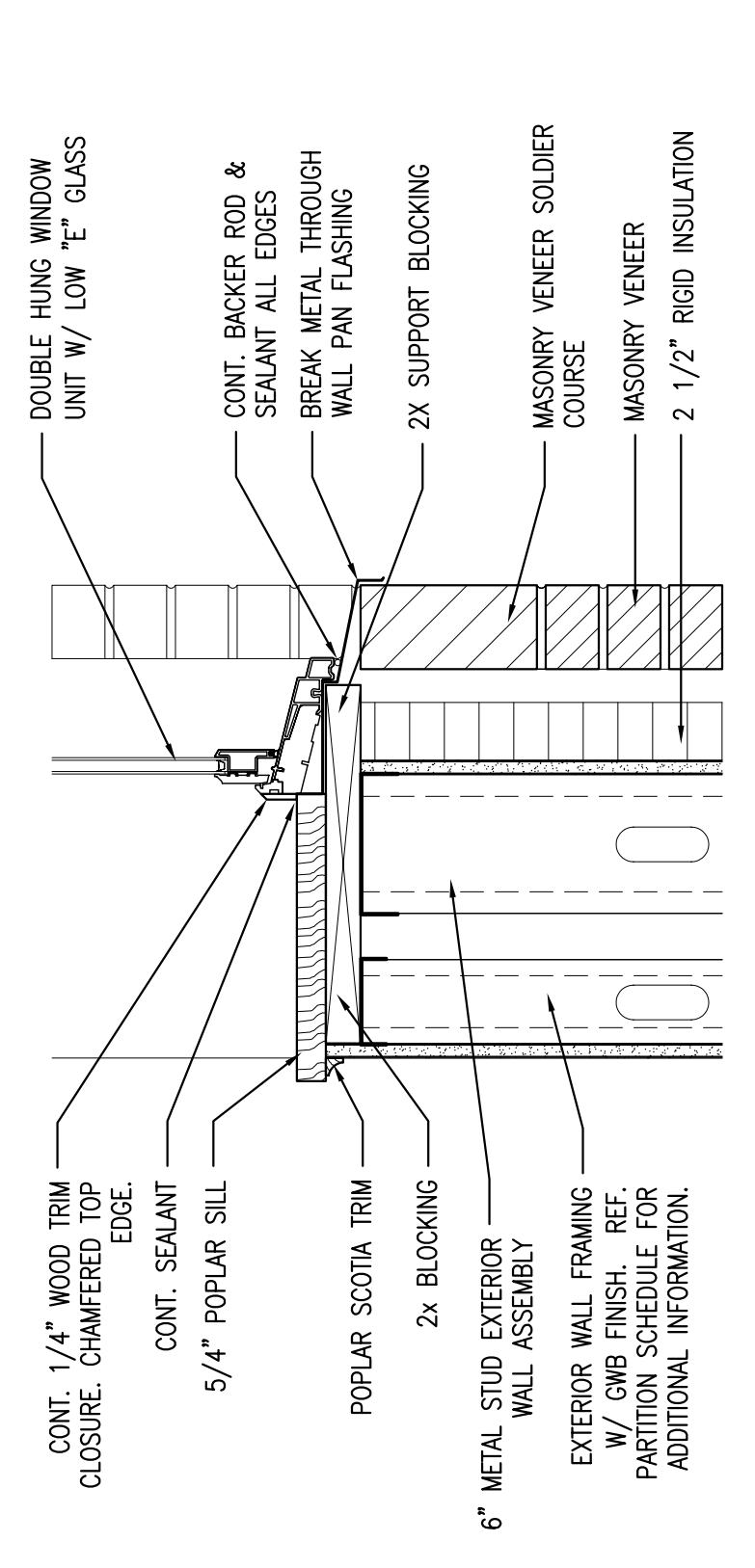
HEAD DETAIL @ RELIEVING ANGLE



HEAD DETAIL



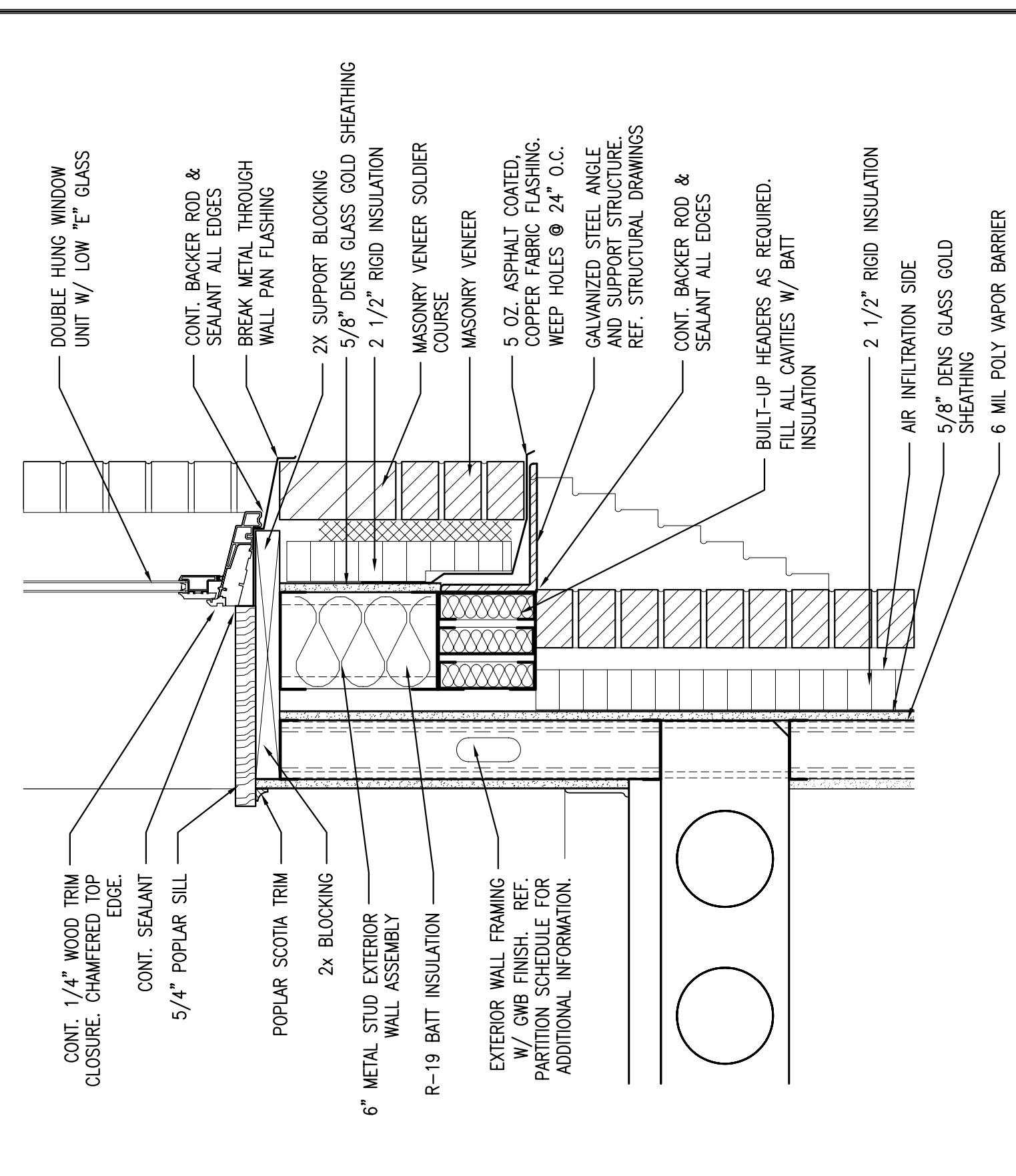
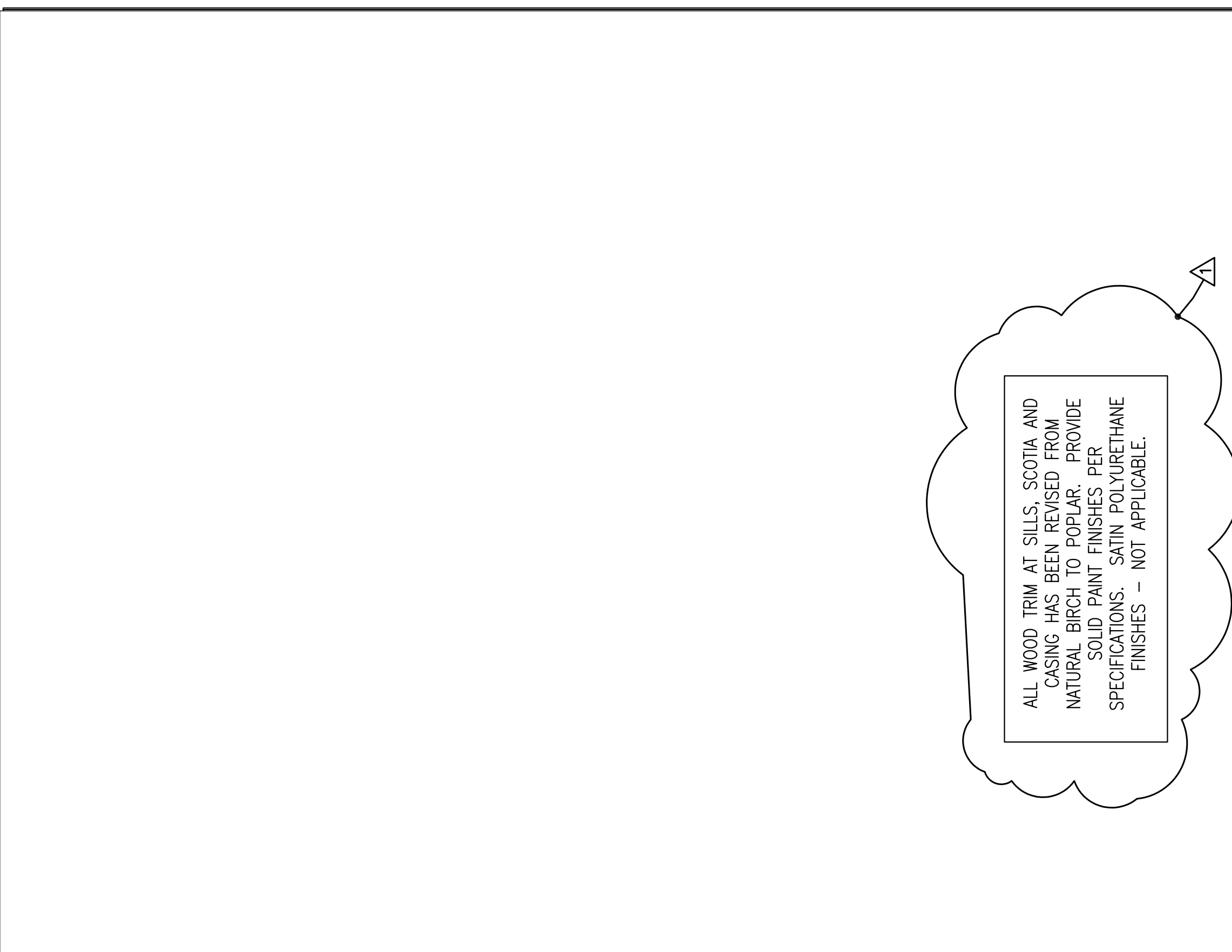
JAMB DETAIL



SILL DETAIL

9 WINDOW TYPE "6" - INTR. MULLION DETL.
 REFERENCED FROM: _____

SCALE: 1/2" = 1'-0"



SILL DETAIL

12 WINDOW TYP. "6" - HEAD, JAMB @ SILL DETAILS
 REFERENCED FROM: _____

SCALE: 1/2" = 1'-0"