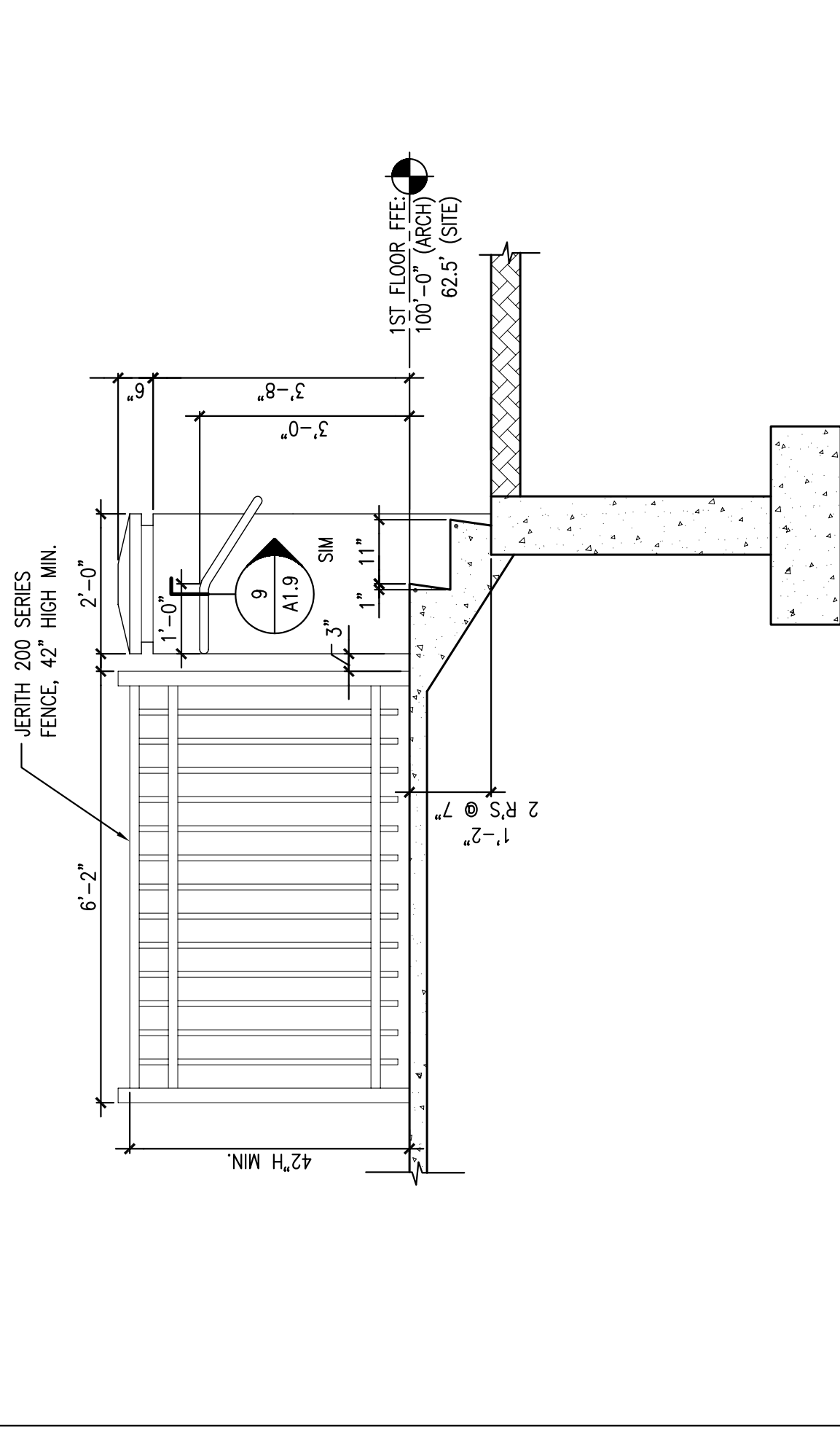
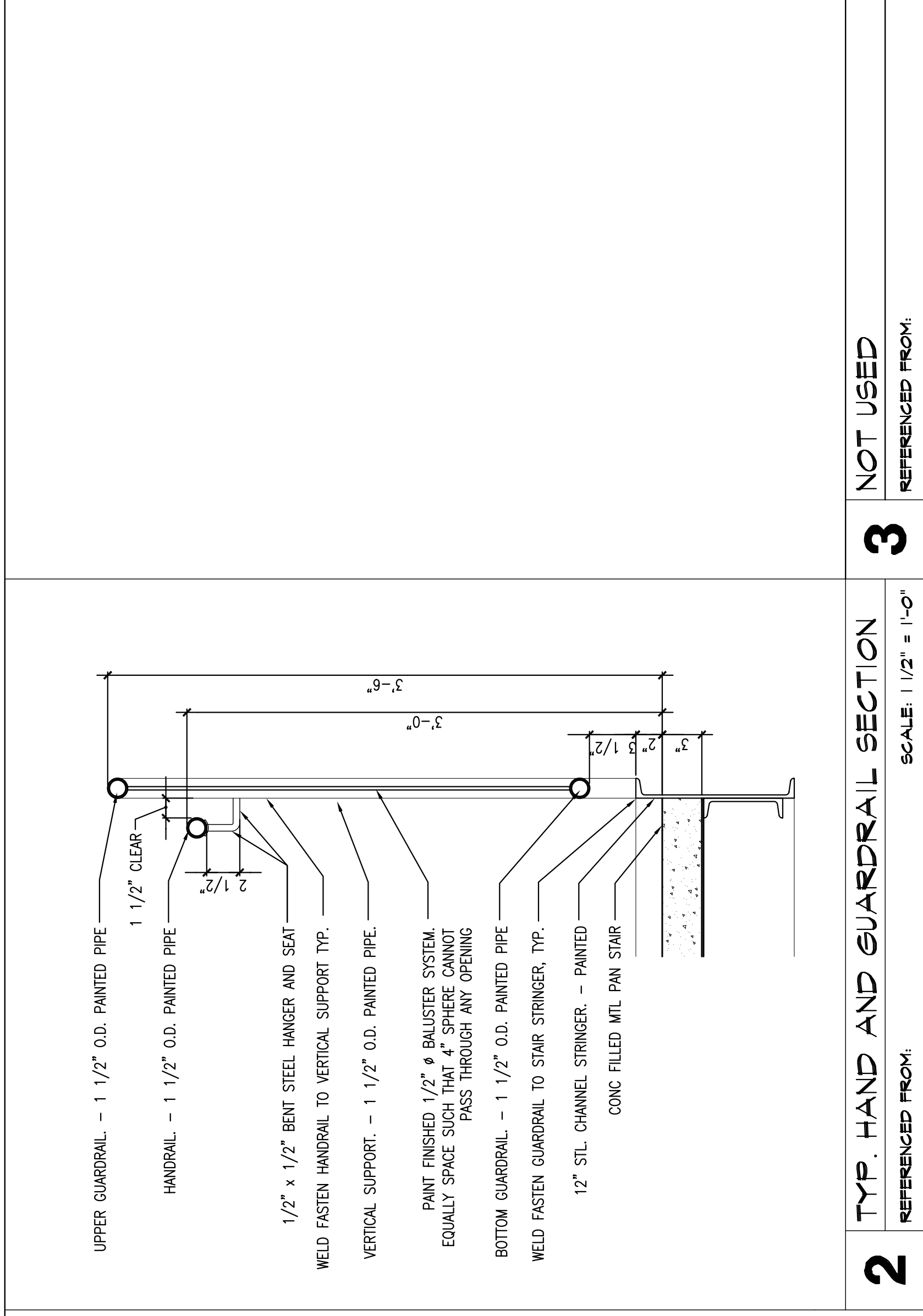


1 ENTRY STAIR SECTION
 REFERENCED FROM:
 SCALE: 1/2" = 1'-0"

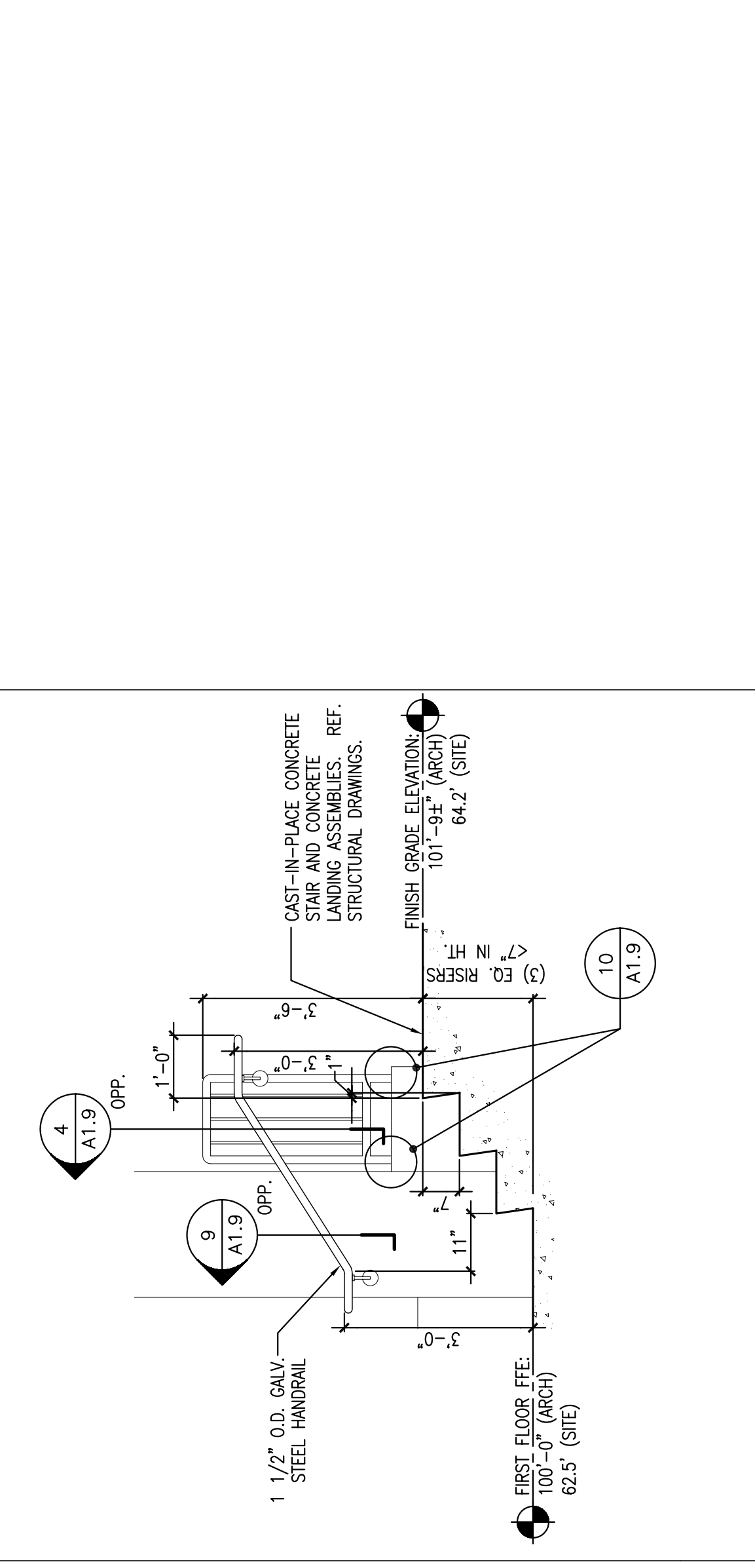


5 EXTERIOR STAIR SECTION
 REFERENCED FROM:
 SCALE: 1/2" = 1'-0"



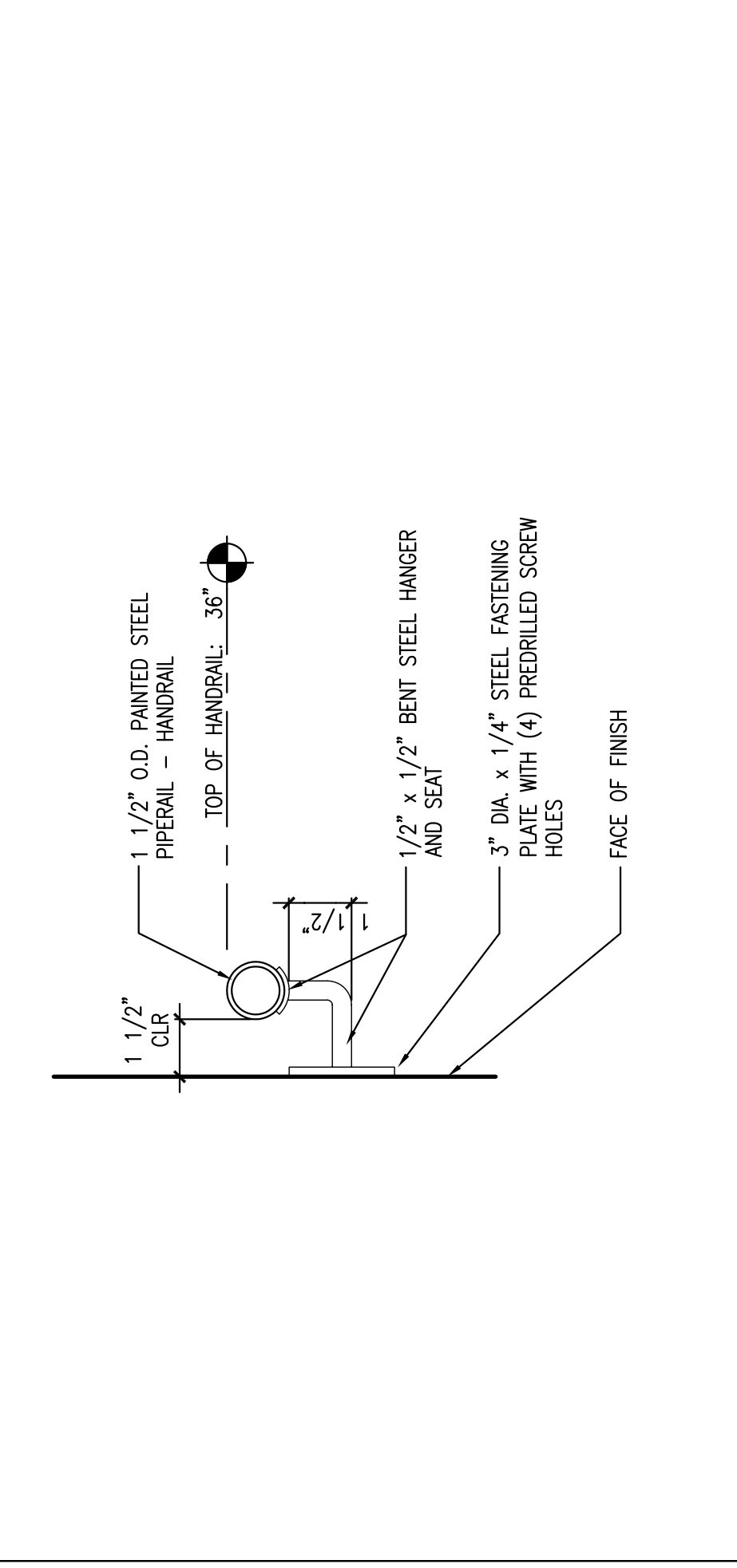
2 TYP. HAND AND GUARDRAIL SECTION
 REFERENCED FROM:
 SCALE: 1 1/2" = 1'-0"

3 NOT USED
 REFERENCED FROM:

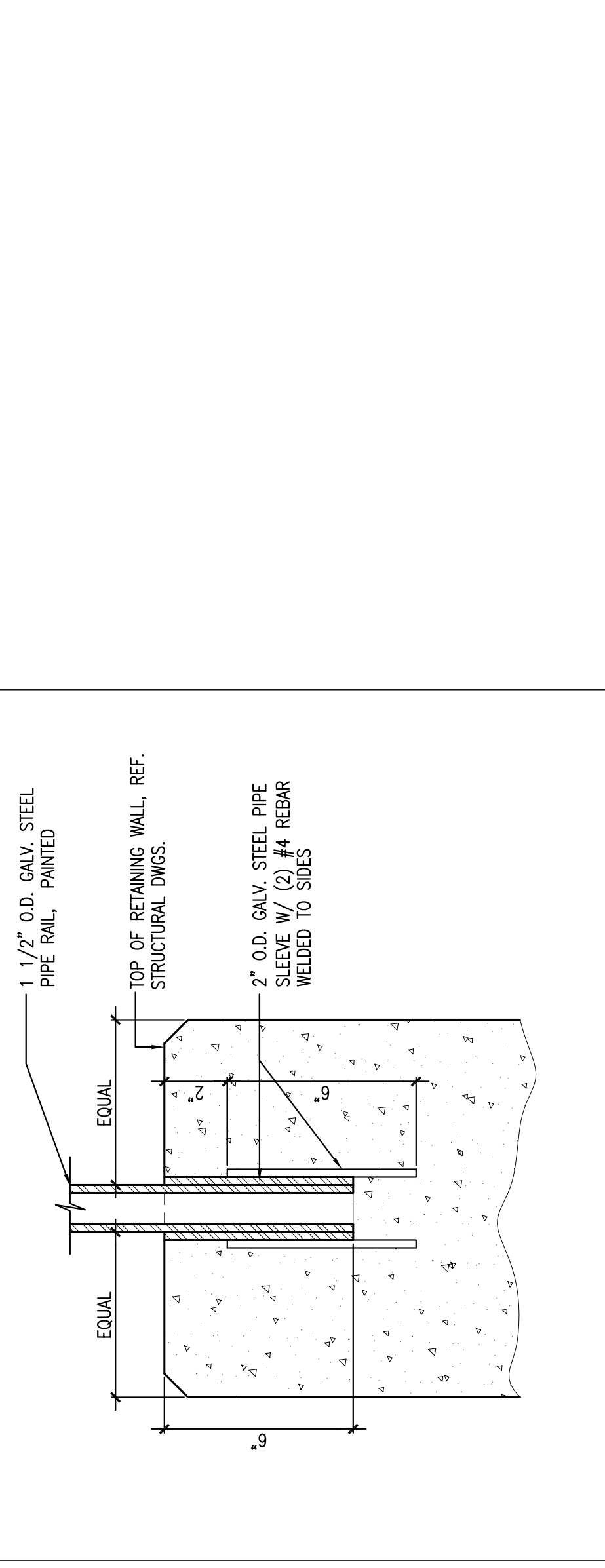


6 EXTERIOR STAIR SECTION
 REFERENCED FROM:
 SCALE: 1/2" = 1'-0"

7 NOT USED
 REFERENCED FROM:



9 TYPICAL HANDRAIL DETAIL
 REFERENCED FROM:
 SCALE: 3" = 1'-0"



10 DETAIL @ TYP. PIPE SLEEVE
 REFERENCED FROM:
 SCALE: 3" = 1'-0"

11 NOT USED
 REFERENCED FROM: