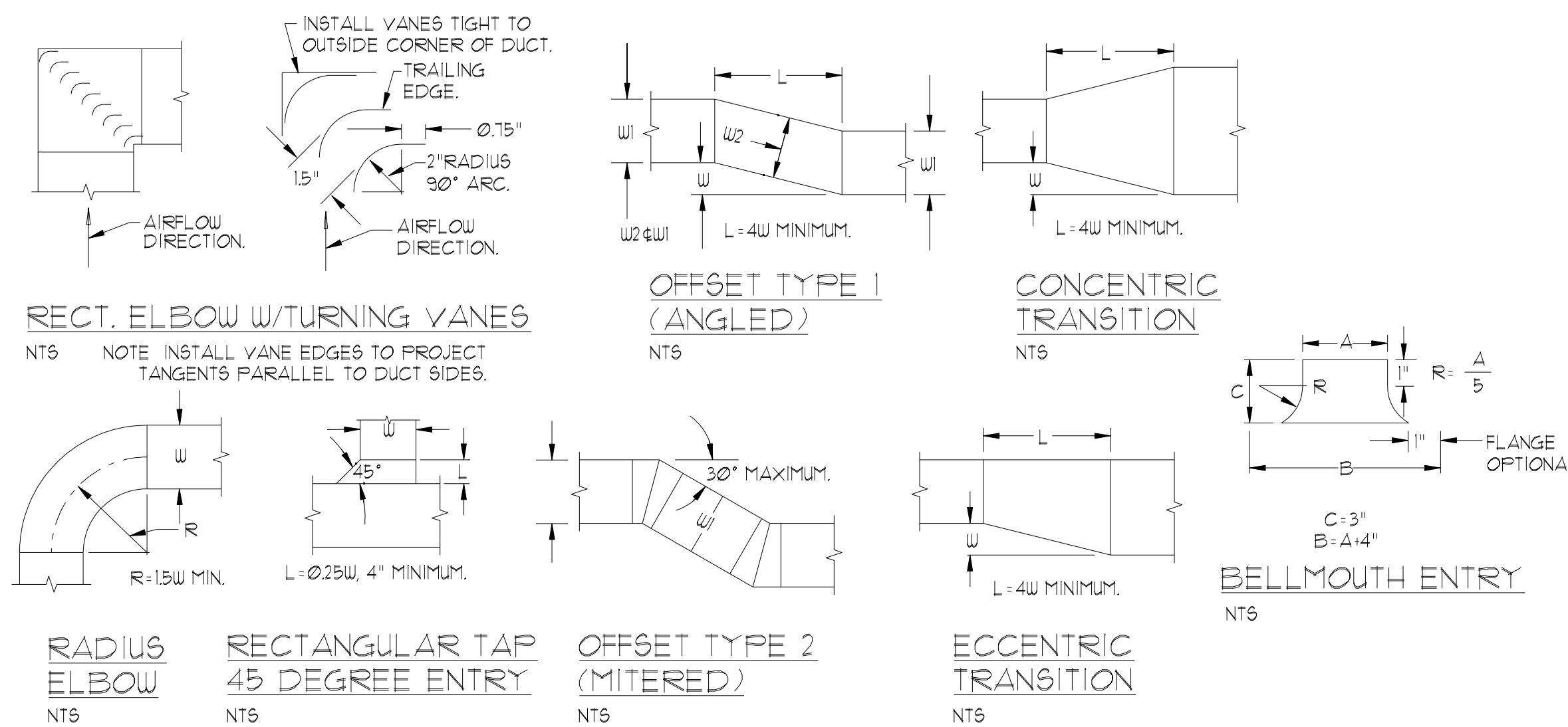
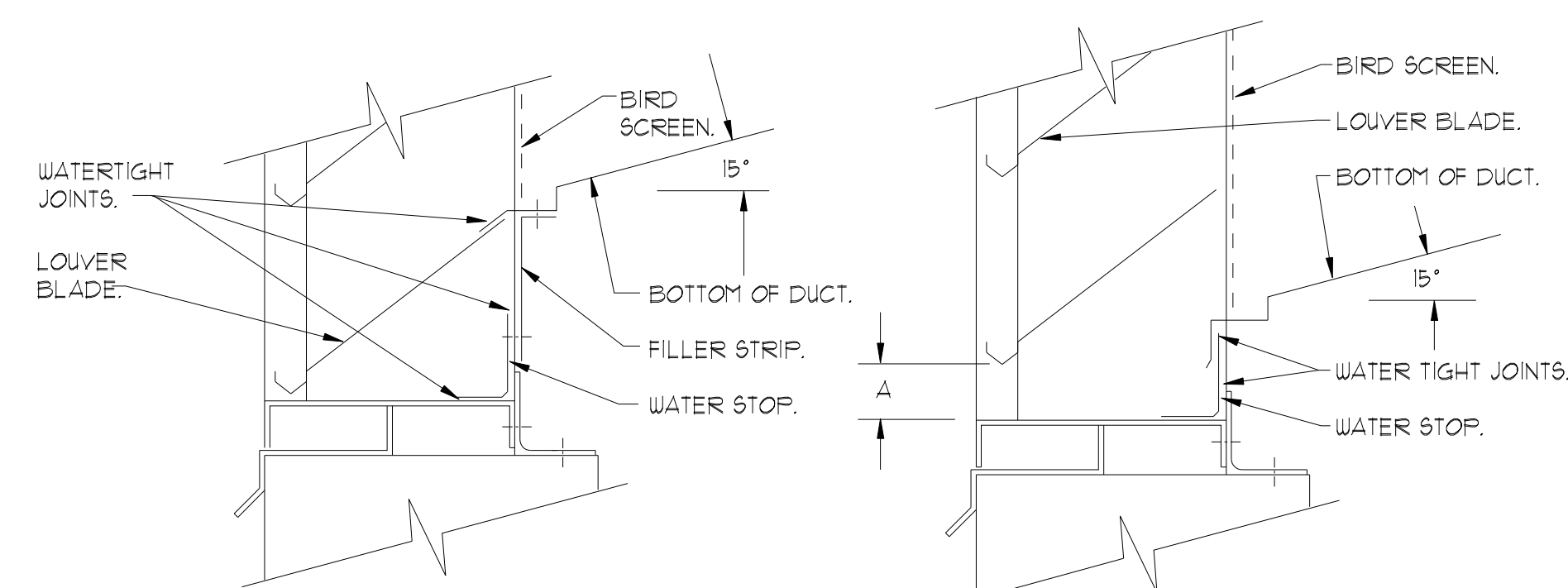


- ▲
- ▲
- ▲
- ▲
- ▲
- ▲
- ▲

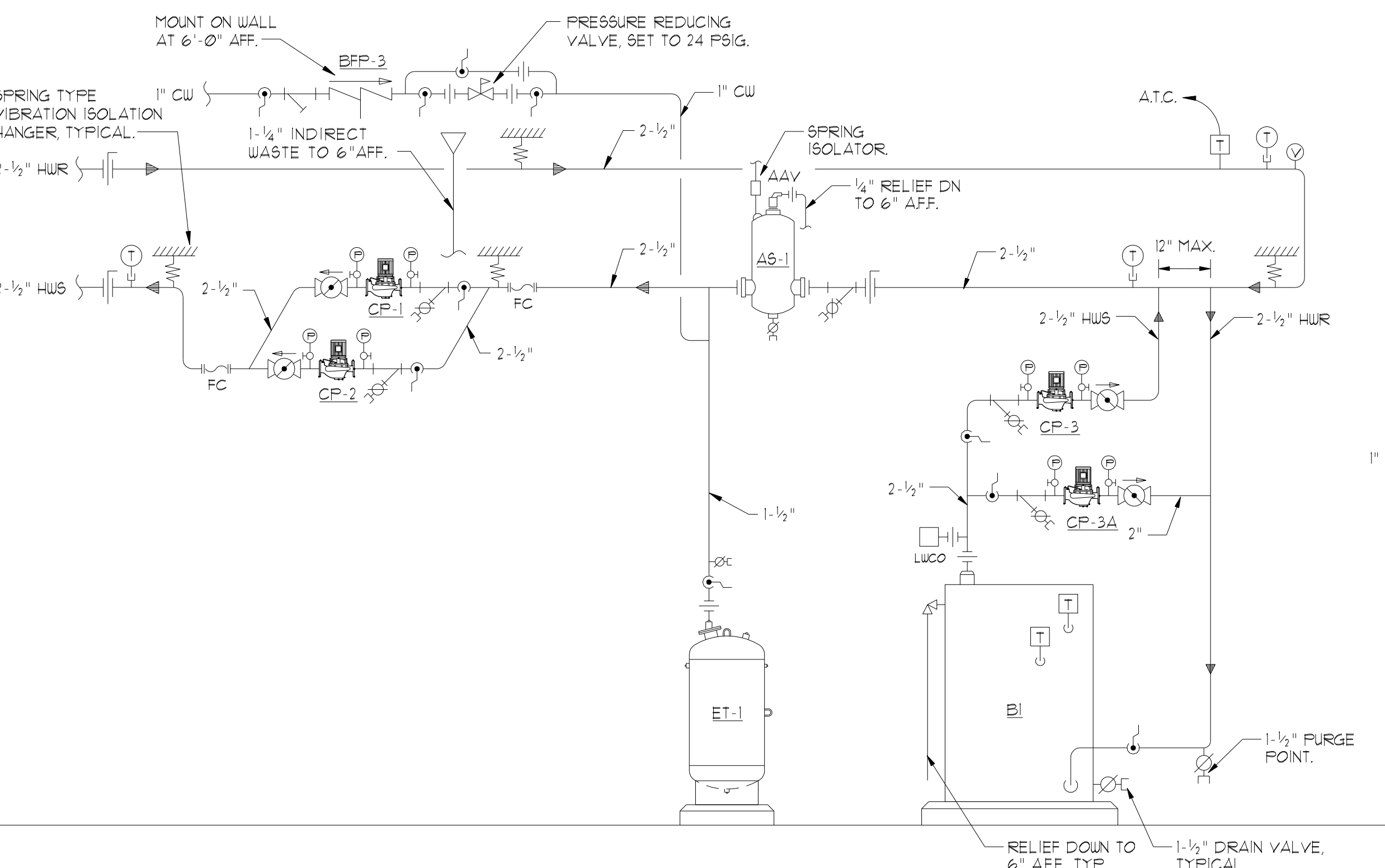


**LOW PRESSURE DUCT CONSTRUCTION DETAILS - TYPICAL**

NT5

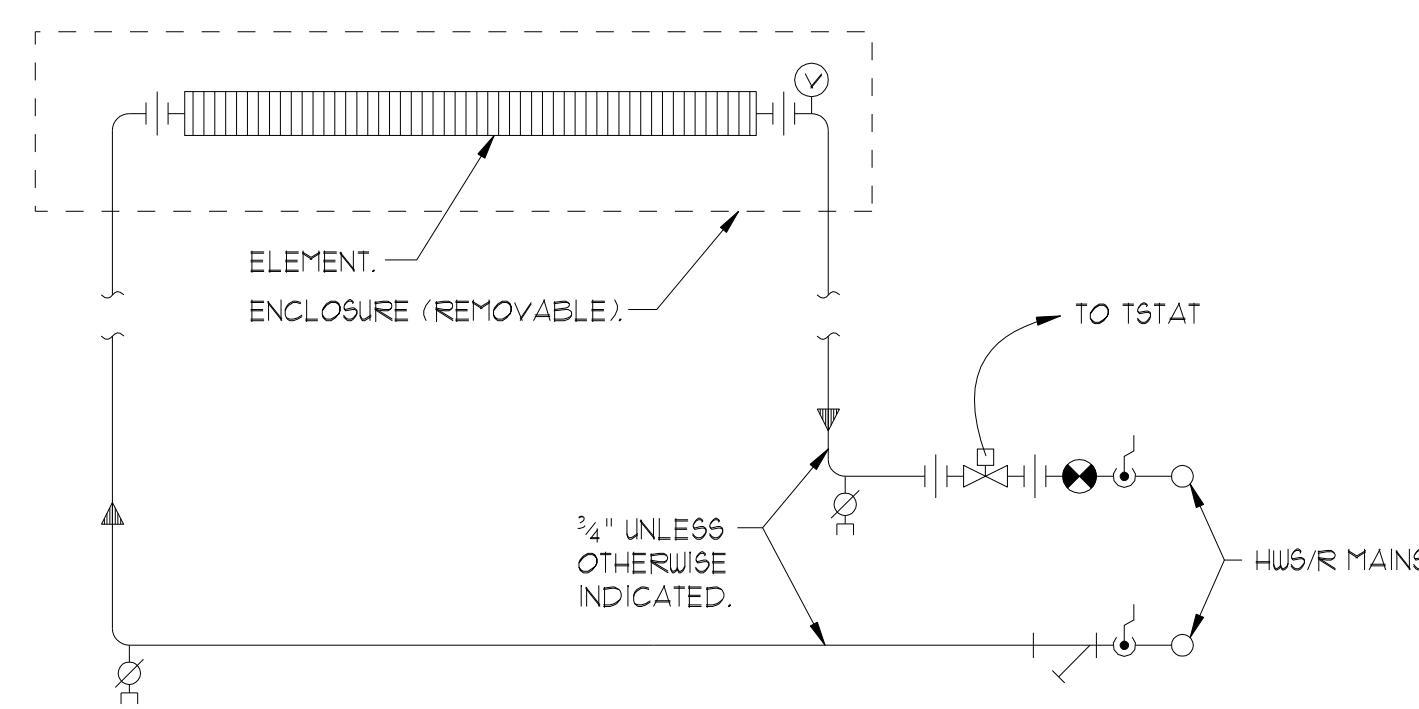


NOTE: TYPICAL FOR LOUVERS AND BLOCK VENTS. IF DIMENSION 'A' IS LESS THAN 1 INCH, SEE MODIFIED LOUVER DETAIL THIS SHEET (LOUVERS ONLY).



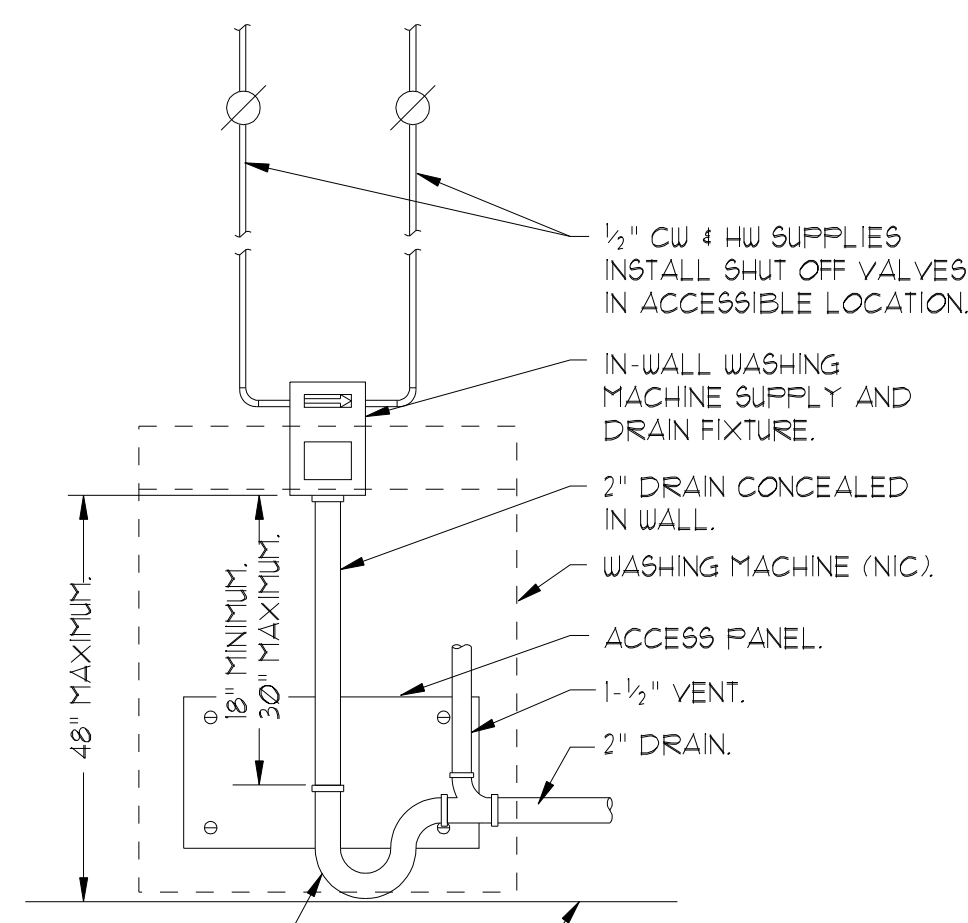
BOILER PIPING SCHEMATIC

NT5



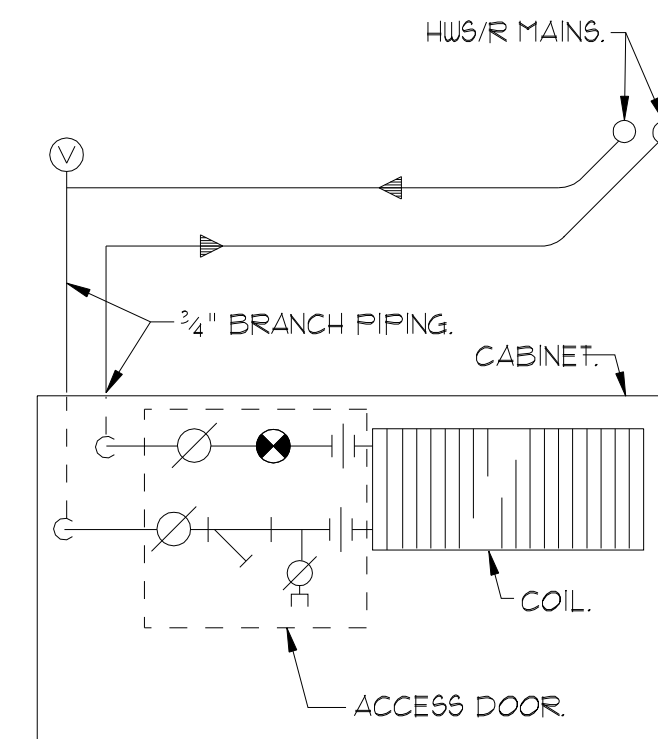
FINTUBE PIPING DETAIL

NT5 NOTE: SPACE HEATER PIPING SIMILAR.



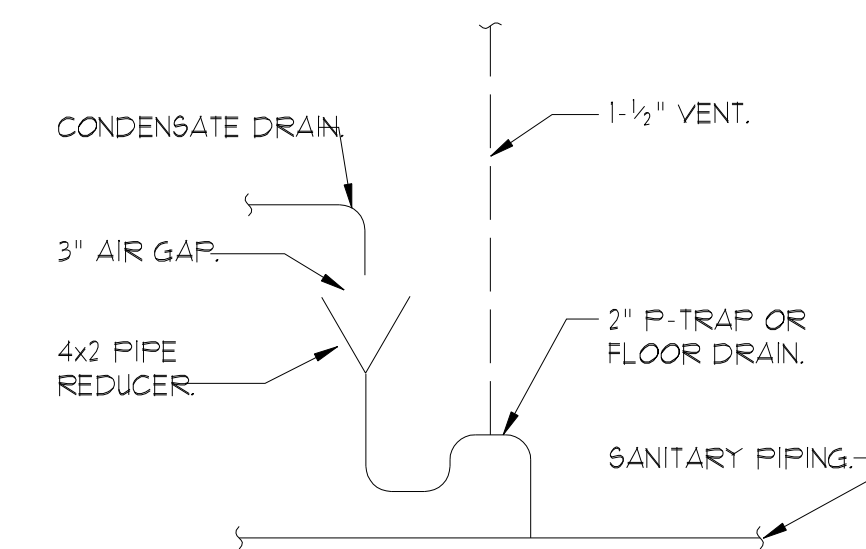
WASHING MACHINE HOOK-UP DETAIL

NT5



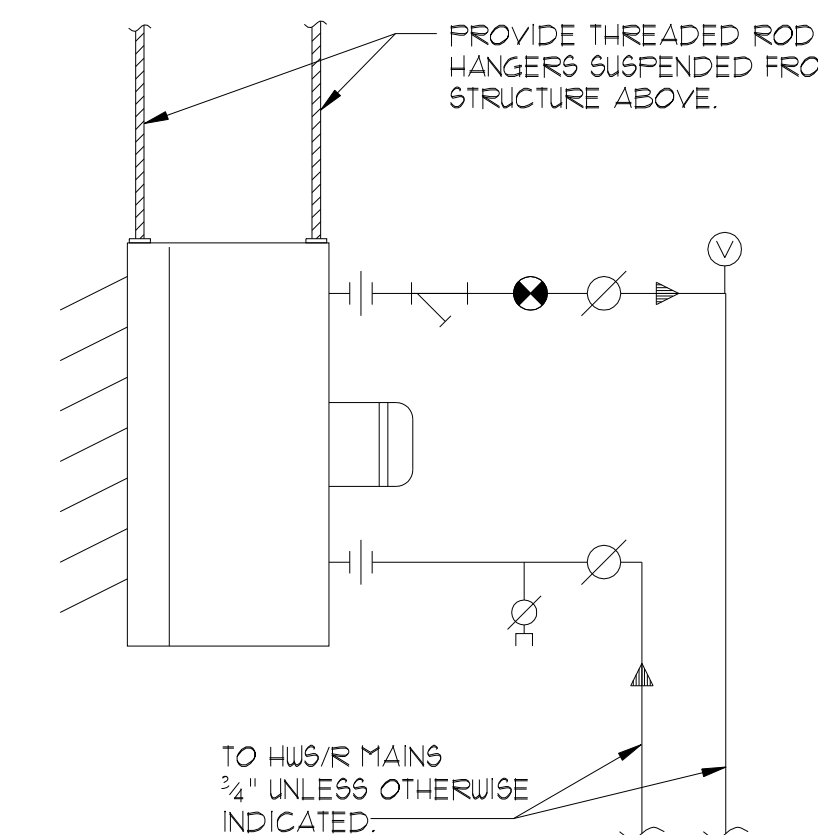
CABINET UNIT HEATER PIPING DETAIL

NT5



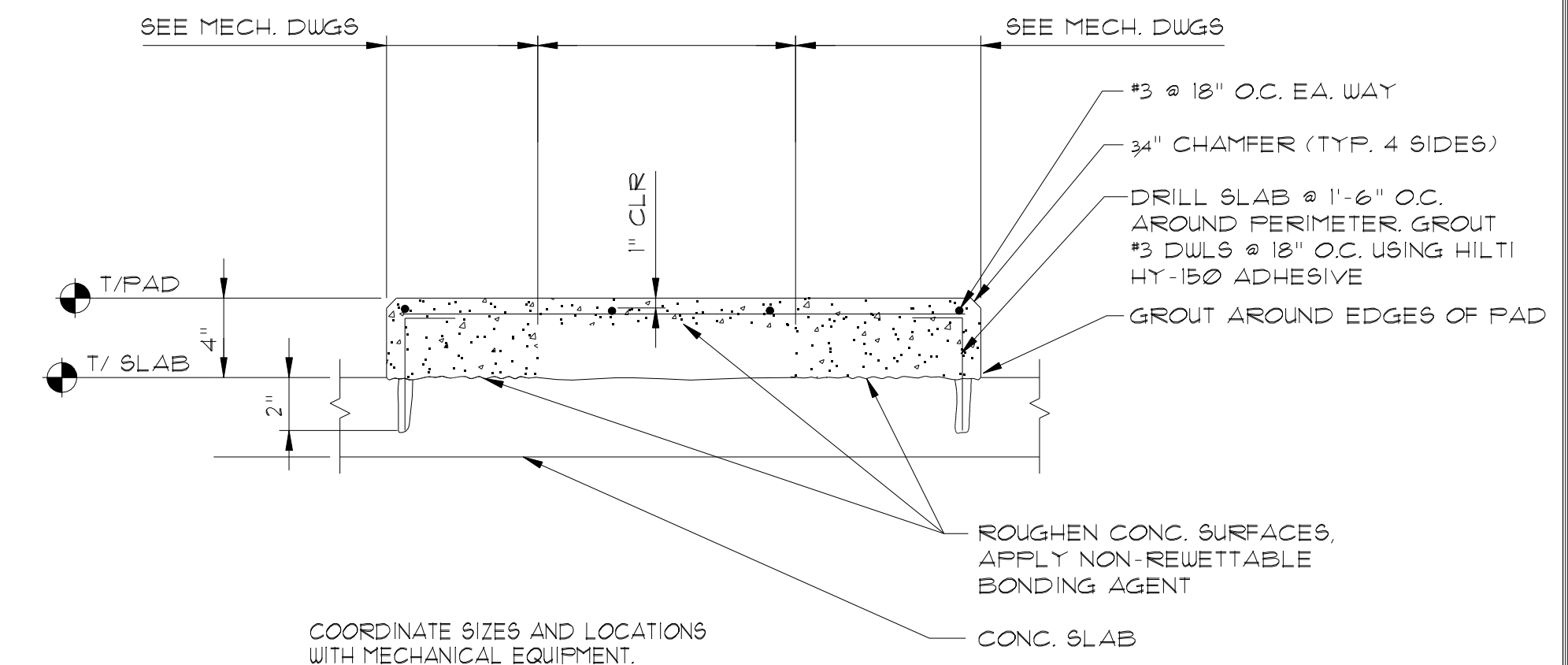
INDIRECT WASTE DETAIL

NT5



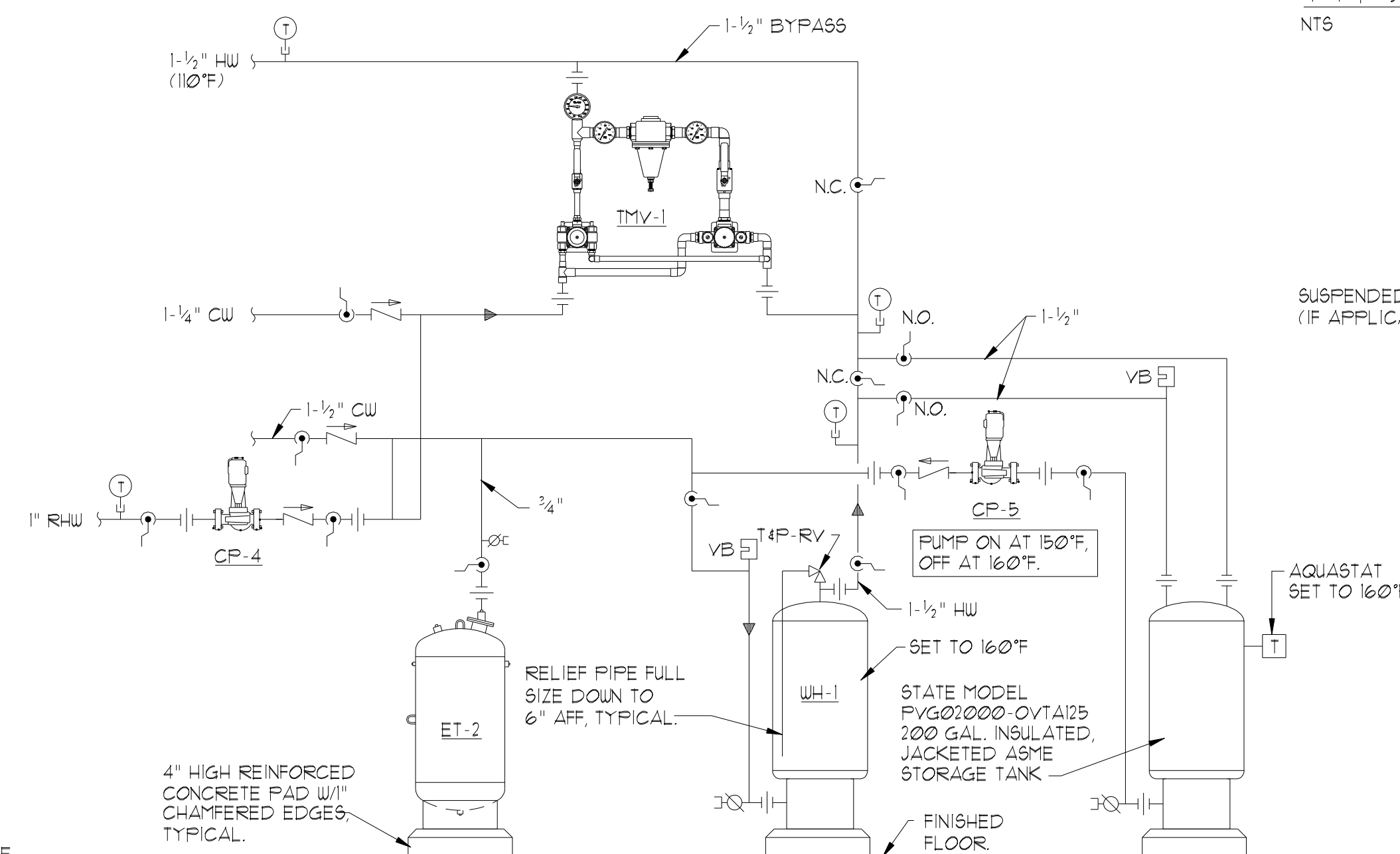
HORIZONTAL UNIT HEATER PIPING DETAIL

NT5



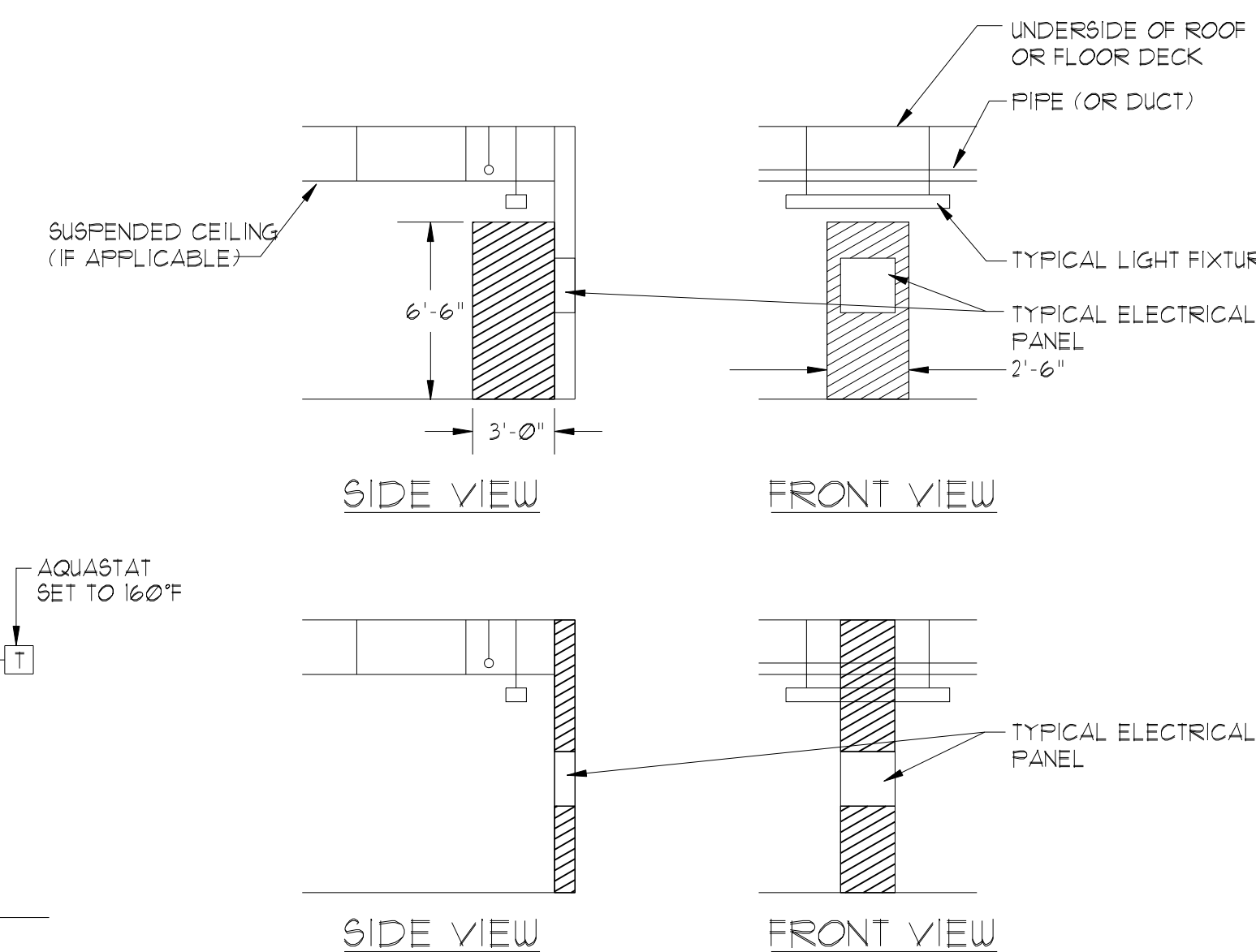
TYP. CONCRETE PAD ON SLAB

NT5



DOMESTIC HOT WATER PIPING SCHEMATIC

NT5



CLEARANCES AT ELECTRICAL PANELS

NT5

NOTE: NO DUCTWORK OR PIPING IS PERMITTED IN THE HATCHED AREAS.