



Permitting and Inspections Department

FIRE ALARM

Permit Application & Checklist

A permit is required for fire alarms. The following application and checklist must be completed in full in order for a permit application to be reviewed. All applications shall be submitted online via the Citizen Self Service portal. Refer to the attached documents for complete instructions. The following items shall be submitted (please check and submit all items):

Application Checklist:

✓ Vektored PDF plans, including the following:

- Accurate, scalable floor plan(s)
- Graphic scale
- Each plan shall have a 3 inch by 3 inch space reserved in the top right corner for city approval stamp
- Each plan shall have "FA", sheet number and a descriptive title, with each sheet saved as a separate file
- Wiring diagram(s)
- Annunciator details
- Operations matrix
- Designer qualifications (copy of NICET IV certificate or stamped plans and documents)
- Battery and voltage calculations

✓ Scope of Work

✓ Equipment data sheets

✓ Electrical Permit

All fire alarm permits are subject to the following:

- Design shall comply with City Code Ch. 10 and Fire Department Regulations Ch. 5
- A formal code analysis may be required depending on the complexity of the property
- Reflected ceiling or electrical plans are not acceptable. Plans shall represent only the fire alarm system.

Separate permits are required for internal and external plumbing and electrical installations. For questions on Fire Department requirements, call the Fire Prevention Officer at (207) 874-8405.

*For a list of approved fire alarm companies, see www.portlandmaine.gov/1486/Approved-Fire-Alarm-Companies

389 Congress Street, Room 315/Portland Maine 04101/www.portlandmaine.gov/tel: 207-874-8703/fax: 207-874-8716



Permitting and Inspections Department

Fire Alarm Permit Application

Construction Address: 100 Forest Avenue		
Total Square Footage of Proposed Structure: <input type="text"/>		
Tax Assessor's Chart, Block & Lot Chart# <input type="text"/> Block# <input type="text"/> Lot# <input type="text"/>		Applicant Name: BJB Realty LLC
Cost of Work: \$ 10,000		Address: P.O. Box 6842
Lessee/Owner Name (if different): Brad Marin		Phone: 207-956-5176
Address: P.O. Box 6842		Email: bmarin@bjbrealtymaine.com
Phone: 207-956-5176 X 2		Contractor Name (if different): Seacoast Security, Inc.
Email: bmarin@bjbrealtymaine.com		Address: 4 Summer Street Freeport, ME 04032
Current use (i.e. single family): <input type="text"/>		Phone: 800-654-8800 X 4501
If vacant, what was the previous use? Apartment Building		Email: johnmac@seacoastsecurity.com
Proposed specific use: Apartment Building		
Is property part of a subdivision? If yes, name: <input type="text"/>		
Project description: Installation of a low voltage fire alarm system		
Life Safety Code Occupancy Classification: 101		
Is this new work or a renovation to an existing system? New		
Is the top occupiable floor of the building greater than 75 feet above the lowest level of Fire Department access (high-rise)? No		
Name of company providing programming and certification of system*: Seacoast Security, Inc		
Electrical permit #: Owner responsibility		
Will a master box be installed? <input type="radio"/> Yes <input checked="" type="radio"/> No If yes, complete all items for approval:		
AES approved installing contractor: <input type="text"/>		
Documentation of AES approval: <input type="text"/>		
Property Owner: <input type="text"/>		
Property Owner Billing Address: <input type="text"/>		
Property common name: <input type="text"/>		
E-911 address for protected premises: <input type="text"/>		
Emergency contact phone: <input type="text"/> Additional emergency contact phone: <input type="text"/>		
Number of stories protected: <input type="text"/>		
Is the building protected by a supervised, automatic sprinkler system? <input type="radio"/> Yes <input checked="" type="radio"/> No		
Name of person to contact when the permit is ready: John McDonough		
Address: 4 Summer Street		
City, State & Zip: Freeport, ME 04032		
Email Address: johnmac@seacoastsecurity.com		Phone: 800-654-8800 X 4501

*For a list of approved fire alarm companies, see www.portlandmaine.gov/1486/Approved-Fire-Alarm-Companies



ES-50X

Intelligent Addressable FACP with Communicator



Addressable Fire Alarm Control Panels

General

The ES-50X is the latest intelligent addressable fire alarm control panel (FACP) from Fire•Lite Alarms and is a direct replacement for the MS-9050UD/LS. The ES-50X comes with a pre-installed communicator and supports up to 50 addressable devices in any combination of detectors or modules. With an extensive list of powerful features, the ES-50X programs just like Fire•Lite's other addressable panels, yet fits into applications previously served only by conventional panels.

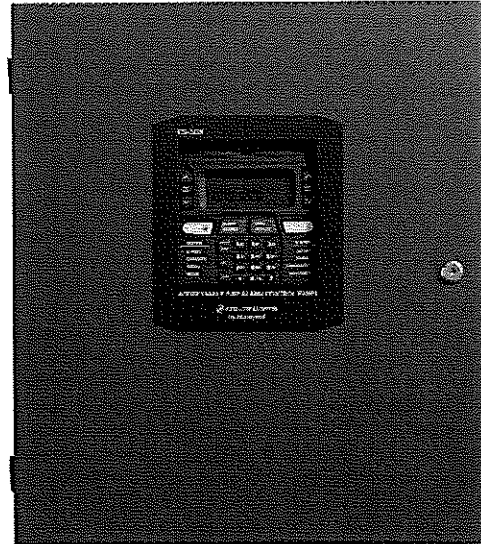
The pre-installed IPOTS-COM is a dual technology (POTS and IP) communicator. The POTS transmits system status (alarms, troubles, AC loss, etc.) to a Central Station via the public switched telephone network. The IP communicator's internet monitoring capability sends alarm signals over the Internet saving the monthly cost of two dedicated business telephone lines. Although not required, the secondary telephone line may be retained providing backup communication over the public switched telephone line. Optional cellular reporting is available using the CELL-MOD or CELL-CAB-FL.

Remote and local programming of the control panel is possible using the FS-Tools Upload/Download utility. Programming databases can be uploaded/downloaded via the panel's USB port (and USB cable) or via an ethernet connection using the IPOTS-COM communicator. The USB port also allows for the download or upload of the entire program, history file, walk-test data, current status and system voltages by means of a USB flash drive.

The power supply and all electronics are contained on a circuit board supported on a new quick install chassis and housed in a metal cabinet. Available accessories include local and remote upload/download software, remote annunciators, and reverse polarity/city box transmitter (4XTMF).

Features

- Listed to UL Standard 864, 10th edition
- Pre-installed IPOTS-COM Ethernet IP and POTS (Plain Old Telephone Service) Central Station Communicator
- Optional CELL-MOD or CELL-CAB-FL GSM Central Station Communicator over AlarmNet®
- Compatible with SWIFT® wireless devices
- Auto-programming (learn mode) reduces installation time. Reports two devices set to the same address
- Two independently programmable, built-in Style Z (Class A) or Style Y (Class B) NAC circuits
- Selectable strobe synchronization for System Sensor, Wheelock, and Gentex devices
- Notification Appliance Circuit End of Line resistor matching
- Four programmable function keys for ease of maintenance
- Two programmable relays and one fixed trouble relay
- Built-in Programmer
- Integral 80-character LCD display with backlighting
- Real-time clock/calendar with automatic daylight savings control
- History file with 1,000 event capacity
- Addressable sounder base
- Multi-criteria detector (smoke, heat, CO) with programmable response
- Control module delay timer
- Automatic detector sensitivity testing (NFPA 72 compliant)
- Automatic device type-code verification
- Point trouble identification
- Waterflow selection per module point
- Alarm verification selection per detector point



- Maintenance alert warns when smoke detector dust accumulation is excessive
- One-person audible or silent walktest with walktest log & printout
- System alarm verification selection per detector point
- PAS (Positive Alarm Sequence) and Pre-signal per point (NFPA 72 compliant)
- Up to 16 ANN-BUS annunciators- 8 per each ANN-Bus
- Remote Acknowledge, Alarm Silence, Reset and Drill via addressable modules or remote annunciator
- Upload/Download of program and data via USB with optional FS-Tools Programming Utility

SLC COMMUNICATION LOOP

- Supports LiteSpeed™ and CLIP protocols
- SLC operates up to 10,000 ft. (3,000 m) in LiteSpeed mode with twisted, unshielded wire
- Single addressable SLC loop which meets NFPA Class B and Class A requirements
- 50 addressable device capacity (any combination of addressable detectors and modules)
- Compatible with Fire•Lite's addressable devices (refer to the SLC Wiring Manual)

NOTIFICATION APPLIANCE CIRCUITS (NACS)

- Two independently programmable output circuits. Circuits can be configured for the following outputs:
 - Style Y (Class B)
 - Style Z (Class A)
 - Silence Inhibit and Autosilence timer options
 - Continuous, March Time, Temporal, or California code for main circuit board NACs with two-stage capability
 - Selectable strobe synchronization per NAC
 - 2.5 A special application, 250mA regulated, total power for NACs
- NOTE:** Maximum or total 24VDC system power shared between all NAC circuits and the ANN-BUS is 2.7 A

PROGRAMMING AND SOFTWARE

- Autoprogramming (learn mode) reduces installation time

- Custom English labels (per point) may be manually entered or selected from an internal library file
- Two programmable Form-C relay outputs
- 50 software zones
- Continuous fire protection during online programming
- Program Check automatically catches common errors not linked to any zone or input point
- **OFFLINE PROGRAMMING:** Create the entire program in your office using FS-Tools, a Windows®-based software package, and upload/download system programming locally. Offline programming requires an ethernet connection. FS-Tools is available on www.firelite.com.

User interface

LED INDICATORS

- Fire Alarm (red)
- CO Alarm (red)
- AC Power (green)
- Supervisory (yellow)
- Trouble (yellow)
- Ground fault (yellow)
- Battery fault (yellow)
- Disabled (yellow)
- Maintenance (yellow)
- Communication (yellow)
- Alarm Silenced (yellow)
- F1-F4 Programmable Function Keys (yellow)



Reviewed for Code Compliance
Permitting and Inspections
Department
Approved for Code Compliance
02/20/2020

KEYPAD

- 16 key alpha-numeric pad
- Acknowledge
- Alarm Silence
- Drill (Manual Evacuate)
- Four (4) programmable function keys
- Reset (lamp test)

Product Line Information

ES-50X: Addressable Fire Alarm Control Panel with one SLC loop. Includes main circuit board with display, pre-installed IPOTS-COM communicator, chassis with transformer, backbox with door, plastic bag containing screws, cables, key, etc. (For ES-50XC, refer to DF-60954.)

FS-Tools: Programming software for Windows®-based PC computer. Available for download at www.firelite.com.

CELL-CAB-FU/CELL-MOD: Optional GSM communicators.

IPOTS-COM: Dual technology (POTS and IP) communicator. (replacement board)

DP-ES-R: Optional dress panel for the ES-50X.

TR-CE: Optional trim ring for semi-flush mounting.

BB-2F: Optional cabinet for one or two modules.

BB-6F: Optional cabinet for up to six modules mounted on CHS-6 chassis.

BB-26: Battery backbox, holds up to two 25 AH batteries & CHG-75.

BB-55F: Battery box, houses two 55 AH batteries

CHS-6: Chassis, mounts up to six multi-modules in a BB-6F cabinet.

CHG-75: Battery charger for lead-acid batteries with a rating of 25 to 75 AH.

CHG-120F: Remote battery charging system for lead-acid batteries with a rating of 55 to 120 AH. Requires additional BB-55F for mounting.

BAT Series: Batteries, see data sheet DF-52397.

PRN Series: UL listed compatible event printer. Uses tractor-fed paper.

OPTIONAL MODULES

4XTMF Reverse Polarity Transmitter Module: Provides a supervised output for local energy municipal box transmitter, alarm and trouble. Includes a disable switch and disable trouble LED.

COMPATIBLE ANNUNCIATORS

ANN-80: Remote, red LCD annunciator mimics the information displayed on the FACP LCD display. Recommended wire type is unshielded.

ANN-100: Remote LCD annunciator mimics the information displayed on the FACP LCD display. Recommended wire type is unshielded. For use in FM applications only.

ANN-I/O: LED Driver Module provides connections to a user supplied graphic annunciator. (See DF-52430.)

ANN-LED: Annunciator Module provides three LEDs for each zone: Alarm, Trouble, and Supervisory. Ships with red enclosure. (See DF-60241.)

ANN-RLED: Provides alarm (red) indicators for up to 30 input zones or addressable points. (See DF-60241.)

ANN-RLY: Relay Module provides 10 programmable Form-C relays. Can be mounted inside the cabinet. (See DF-52431.)

ANN-S/PG: Serial/Parallel Printer Gateway module provides a connection for a serial or parallel printer. (See DF-52429.)

ADDRESSABLE DEVICES

All feature a polling LED and rotary switches for addressing.

SD365: Addressable low-profile photoelectric smoke detector. LiteSpeed only.

SD365-IV: Addressable low-profile photoelectric smoke detector. Ivory. LiteSpeed and CLIP mode.

SD365T: Addressable low-profile photoelectric smoke detector with thermal sensor. LiteSpeed only.

SD365T-IV: Addressable low-profile photoelectric smoke detector with thermal sensor. Ivory. LiteSpeed and CLIP mode.

SD365R: Remote test capable addressable photoelectric smoke detector for use with DNR(W) duct detector housing. LiteSpeed only.

SD365R-IV: Remote test capable addressable photoelectric smoke detector for use with DNR(W) duct detector housing. Ivory. LiteSpeed and CLIP mode.

H365: Low-profile 135°F fixed thermal sensor. LiteSpeed only.

H365-IV: Low-profile 135°F fixed thermal sensor. Ivory. LiteSpeed and CLIP mode.

H365R: Low-profile, intelligent, rate-of-rise thermal sensor. LiteSpeed only.

H365R-IV: Low-profile, intelligent, rate-of-rise thermal sensor. Ivory. LiteSpeed and CLIP mode.

H365HT: Low-profile intelligent 190°F/88°C fixed thermal sensor. LiteSpeed only.

H365HT-IV: Low-profile intelligent 190°F/88°C fixed thermal sensor. Ivory. LiteSpeed and CLIP mode.

Legacy Devices

SD355: Addressable low-profile photoelectric smoke detector.

SD355T: Addressable low-profile photoelectric smoke detector with thermal sensor.

SD355R: Remote test capable addressable photoelectric smoke detector for use with DNR(W) duct detector housing.

SD355CO: Addressable, low-profile device that provides fire, heat, and carbon monoxide (CO) detection.

H355: Fast-response, low-profile heat detector.

H355R: Fast-response, low-profile heat detector with rate-of-rise option.

H355HT: Fast-response, low-profile heat detector that activates at 190°F/88°C.

AD355: Low-profile, intelligent, "Adapt" multi-sensor detector (B350LP base included).

B200S: Programmable, addressable sounder base

B200SR: Addressable sounder base.

BEAM355: Intelligent beam smoke detector.

BEAM355S: Intelligent beam smoke detector with integral sensitivity test.

D355PL: InnovairFlex low-flow non-relay duct-detector housing; includes SD355R.

DNR: InnovairFlex low-flow non-relay duct-detector housing. (Order SD355R/SD365R separately.)

DNRW: InnovairFlex low-flow non-relay duct-detector housing, with NEMA-4 rating. Watertight. (Order SD355R/SD365R separately.)

Addressable Modules

MMF-300: Addressable Monitor Module for one zone of normally-open dry-contact initiating devices. Mounts in standard 4.0" (10.16 cm.) box. Includes plastic cover plate and end-of-line resistor. Module may be configured for either a Style B (Class B) or Style D (Class A) IDC.

MDF-300: Dual Monitor Module. Same as MMF-300 except it provides two Style B (Class B) only IDCs.

MMF-301: Miniature version of MMF-300. Excludes LED and Style D option. Connects with wire pigtails. May mount in device backbox.

MMF-302: Similar to MMF-300. Addressable Monitor Module for one zone of conventional two-wire detectors. Requires resettable 24 VDC power. Refer to the *Device Compatibility Document* for listed compatible devices and quantity limitation.

CMF-300: Addressable Control Module for one Style Y/Z (Class B/A) zone of supervised polarized Notification Appliances. Mounts directly to a 4.0" (10.16 cm.) electrical box. NAC option requires external 24 VDC to power notification appliances.

CRF-300: Addressable relay module containing two isolated sets of Form-C contacts, which operate as a DPDT switch. Mounts directly to a 4.0" (10.16 cm.) box, surface mount using the SMB500.

BG-12LX: Addressable manual pull station with interface module mounted inside.

I300: This module isolates the SLC loop from short circuit conditions (required for Style 6 or 7 operation).

ISO-6: Six-fault isolator module. Mount one or two modules in a BB-2F cabinet (optional). Mount up to six modules on a CHS-6 chassis in a BB-6F cabinet.

SMB500: Used to mount all modules except MMF-301 and M301.

MMF-300-10: Ten-input monitor module. Mount one or two modules in a BB-2F cabinet (optional). Mount up to six modules on a CHS-6 chassis in a BB-6F cabinet.

MMF-302-6: Six-zone interface module. Mount one or two modules in a BB-2F cabinet (optional). Mount up to six modules on a CHS-6 chassis in a BB-6F cabinet.

CMF-300-6: Six-circuit supervised control module. Mount one or two modules in a BB-2F cabinet (optional). Mount up to six modules on a CHS-6 chassis in a BB-6F cabinet.

CRF-300-6: Six-relay control module (Form-C relays). Mount one or two modules in a BB-2F cabinet (optional). Mount up to six modules on a CHS-6 chassis in a BB-6F cabinet.

SWIFT Wireless Devices

W-GATE: LiteSpeed Wireless Gateway

W-SD355: LiteSpeed intelligent, wireless photo detector.

W-H355R: LiteSpeed intelligent wireless rate of rise (135°) heat detector.

W-SD355T: intelligent wireless photo/heat detector.

W-H355: LiteSpeed intelligent wireless fixed-temperature (135°) heat detector.

W-MMF: LiteSpeed Intelligent wireless monitor module.

W-CRF: LiteSpeed Intelligent wireless relay module.

W-BG12LX: LiteSpeed Intelligent wireless pull station.

WAV-RL, WAV-WL, WAV-CRL, WAV-CWL: LiteSpeed Intelligent AV bases.

W-USB: Wireless USB radio/antenna dongle that plugs into the USB port of a PC running SWIFT Tools.

SWIFT Tools: Programming and diagnostic utility for the Wireless Gateway and devices. Available for download from firelite.com.

NOTE: For more information on Compatible Addressable Devices for use with the ES-50X, see the following data sheets (document numbers): SD365 Series (DF-61010), H365 Series (DF-61011), AD355 (DF-52386), BG-12LX (DF-52013), CMF-300-6 (DF-52365), CRF-300-6 (DF-52374), CMF/CRF Series (DF-52130), CP355 (DF-52383), H355 Series (DF-52385), I300 (DF-52389), ISO-6 (DF-60485), MMF-300 Series/MDF-300 (DF-52121), MMF-300-10 (DF-52347), MMF-302-6 (DF-52356), SD355/SD355T (DF-52384), and SLC Wiring Manual (51309).

NOTE: Legacy 300 Series detection devices such as the CP300/CP350, SD300(T)/SD350(T) and older modules such as the M300, M301, M302, C304, and BG-10LX are not compatible with LiteSpeed polling. If the SLC contains one of these devices, polling must be set for standard CLIP protocol. Please consult factory for further information on previous 300 Series devices.

ADDRESSABLE DEVICE ACCESSORIES

End-of-Line Resistor Assembly (R-47K and R-3.9K): The 47k ohm assembly supervises the MMF-300, MDF-300, MMF-301, and CMF-300 module circuits. The 3.9k ohm assembly supervises the MMF-302 module circuit. These resistors are included with each module.

Power Supervision Relay: Supervises the power to 4-wire smoke detectors and notification appliances.

Wiring Requirements

While shielded wire is not required, it is recommended that all SLC wiring be twisted-pair to minimize the effects of electrical interference. Refer to the panel manual for wiring details.



Reviewed for Code Compliance
Permitting and Inspections
Department
Approved: 02/20/2020



SYSTEM SPECIFICATIONS

System Capacity

- Intelligent Signaling Line Circuits..... 1
- Addressable device capacity 50
- Programmable software zones 50
- Annunciators..... 16

Electrical Specifications

AC Power: Operates in either 120 or 240 VAC, 50/60 Hz, 3.25 A, auto-sensing- no switch required. Wire size: minimum 14 AWG (2.00 mm²) with 600 V insulation. Nonpower-limited, supervised.

Battery: Two 12 V 18 AH lead-acid batteries. Battery Charger Capacity: 7-18 AH (ES-50X cabinet holds maximum of two 18 AH batteries.)

Communication Loop: Supervised and power-limited.

Notification Appliance Circuits: Terminal Block provides connections for two NACs, Style Y (Class B) or Style Z (Class A). Special Application power. Power-limited, supervised circuitry. Maximum signaling current per circuit: 2.5 amps special application, 250mA regulated. End-of-Line Resistor: 4.7k ohm, ½ watt (P/N 71252 UL listed) for Style Y (Class B) NAC; system capable of 1.9 kΩ - 22 kΩ ELR range. Refer to the *Fire-Lite Device Compatibility Document* for listed compatible devices.

Two Programmable Relays and One Fixed Trouble Relay: Contact rating: 2.0 A @ 30 VDC (resistive), 0.5 A @ 30 VAC (resistive). Form-C relays, non-power-limited, non-supervised.

Cabinet Specifications

Door: 19.26" (48.92 cm.) high x 16.82" (42.73 cm.) wide x 0.72" (1.82 cm.) deep. **Backbox:** 19.00" (48.26 cm.) high x 16.65" (42.29 cm.) wide x 5.25" (13.34 cm.) deep. **Trim Ring (TR-CE):** 22.00" (55.88 cm.) high x 19.65" (49.91 cm.) wide.

Shipping Specifications

Weight: 26.9 lbs. (12.20 kg.) **Dimensions:** 20.00" (50.80 cm.) high x 22.5" (57.15 cm.) wide x 8.5" (21.59 cm.) deep.

Temperature and Humidity Ranges

This system meets NFPA requirements for operation at 0 – 49°C/32 – 120°F and at a relative humidity 93% ± 2% RH (noncondensing) at 32°C ± 2°C (90°F ± 3°F). However, the useful life of the system's standby batteries and the electronic components may be adversely affected by extreme temperature ranges and humidity. Therefore, it is recommended that this system and its peripherals be installed in an environment with a normal room temperature of 15 – 27°C/60 – 80°F.

NFPA Standards

The ES-50X complies with the following NFPA 72 Fire Alarm Systems requirements:

- LOCAL (Automatic, Manual, Waterflow and Sprinkler Supervisory).
- AUXILIARY (Automatic, Manual and Waterflow) (requires 4XTMF).
- REMOTE STATION (Automatic, Manual and Waterflow) (Where a DACT is not accepted, the alarm, trouble and supervisory relays may be connected to UL 864 listed transmitters. For reverse polarity signaling of alarm and trouble, 4XTMF is required.)
- PROPRIETARY (Automatic, Manual and Waterflow).
- CENTRAL STATION (Automatic, Manual and Waterflow, and Sprinkler Supervised).
- OT, PSDN (Other Technologies, Packet-switched Data Network)
- IBC 2012, IBC 2009, IBC 2006, IBC 2003, IBC 2000 (Seismic).
- CBC 2007 (Seismic)

Agency Listings and Approvals

The listings and approvals below apply to the basic ES-50X control panel. In some cases, certain modules may not be listed by certain approval agencies, or listing may be in process. Consult factory for latest listing status.

- UL: S624
- FM approved
- CSFM: 7165-0075:0500
- FDNY: COA #6261

NOTE: See DF-60954 for ULC-listed model.

AlarmNet®, Fire-Lite® Alarms, SWIFT®, and System Sensor® are registered trademarks of Honeywell International Inc. Microsoft® and Windows® are registered trademarks of the Microsoft Corporation.
©2018 by Honeywell International Inc. All rights reserved. Unauthorized use of this document is strictly prohibited.

This document is not intended to be used for installation purposes.
We try to keep our product information up-to-date and accurate.
We cannot cover all specific applications or anticipate all requirements.
All specifications are subject to change without notice.



For more information, contact Fire-Lite Alarms. Phone: (800) 627-3473, FAX: (877) 699-4105.
www.firelite.com



Country of Origin: USA



ANN-80

80-Character LCD Serial Annunciator



Annunciators

General

The ANN-80 annunciator is a compact, backlit, 80-character LCD fire annunciator that mimics the Fire Alarm Control Panel (FACP) display. It provides system status indicators for AC Power, Alarm, Trouble, Supervisory, and Alarm Silenced conditions. The ANN-80 and the FACP communicate over a two-wire serial interface employing the ANN-BUS communication format. Connected devices are powered, via two additional wires, by either the host FACP or a remote UL-listed, filtered power supply. ANN-80 is red; for white, order ANN-80-W.

The ANN-80 displays English-language text of system point information including device type, zone, independent point alarm, trouble or supervisory status, as well as any custom alpha labels programmed into the control panel. It includes control switches for remote control of critical system functions. (A keyswitch prevents unauthorized operation of the control switches.)

Up to eight ANN-80s may be connected to the ANN-BUS of each FACP. No programming is required, which saves time during system commissioning.



Features

- Listed to UL Standard 864, 9th Edition.
- Backlit 80-character LCD display (20 characters x 4 lines).
- Mimics all display information from the host panel.
- Control switches for System Acknowledge, Signal Silence, Drill, and Reset.
- Control switches can be independently enabled or disabled at the FACP.
- Keyswitch enables/disables control switches and mechanically locks annunciator enclosure
- Keyswitch can be enabled or disabled at the FACP.
- Enclosure supervised for tamper.
- System status LEDs for AC Power, Alarm, Trouble, Supervisory, and Alarm Silence.
- Local sounder can be enabled or disabled at the FACP.
- ANN-80 connects to the ANN-BUS terminal on the FACP and requires minimal panel programming.
- Displays device type identifiers, individual point alarm, trouble, supervisory, zone, and custom alpha labels.
- Time-and date display field.
- Surface mount directly to wall or to single, double, or 4" square electrical box.
- Semi-flush mount to single, double, or 4" square electrical box. Use ANN-SB80KIT for angled view mounting.
- Can be remotely located up to 6,000 feet (1,800 m) from the panel.
- Backlight turns off during AC loss to conserve battery power but will turn back on if an alarm condition occurs.
- May be powered by 24 VDC from the host FACP or by remote power supply (requires 24 VDC).
- Up to eight ANN-80s can be connected on the ANN-BUS.

Controls and Indicators

- AC Power
- Alarm
- Trouble

- Supervisory
- Alarm Silenced

Specifications

- **Operating voltage range:** 18 VDC to 28 VDC.
- **Current consumption @ 24 VDC nominal** (filtered and non-resettable): 40 mA maximum.
- **Ambient temperature:** 32°F to 120°F (0°C to 49°C).
- **Relative humidity:** 93% ± 2% RH (noncondensing) at 32°C ± 2°C (90°F ± 3°F).
- 5.375" (13.65 cm.) high x 6.875" (17.46 cm.) wide x 1.375" (3.49 cm.) deep.
- For use indoors in a dry location.
- All connections are power-limited and supervised.

Agency Listings and Approvals

The listings and approvals below apply to the ANN-80. In some cases, certain modules may not be listed by certain approval agencies, or listing may be in process. Consult factory for latest listing status.

- UL: S2424
- FM approved
- CSFM: 7120-0075:211
- MEA: 442-06-E

The ANN-BUS

POWERING THE DEVICES ON THE ANN-BUS FROM AUXILIARY POWER SUPPLY

The ANN-BUS can be powered by an auxiliary power supply when the maximum number of ANN-BUS devices exceeds the ANN-BUS power requirements. See the FACP manual for more information.

ANN-BUS DEVICE ADDRESSING

Each ANN-BUS device requires a unique address (ID Number) in order to communicate with the FACP. A maximum of 8 devices can be connected to the FACP ANN-BUS communication circuit. See the FACP manual for more information.

WIRE REQUIREMENTS: COMMUNICATIONS CIRCUIT

The ANN-80 connects to the FACP ANN-BUS communications circuit. To determine the type of wire and the maximum wiring distance that can be used with FACP ANN-BUS accessory modules, it is necessary to calculate the total worst case current draw for all modules on a single 4-conductor bus. The total worst case current draw is calculated by adding the individual worst case currents for each module.

NOTE: For total worst case current draw on a single ANN-BUS refer to appropriate FACP manual.

After calculating the total worst case current draw, the following table specifies the maximum distance the modules can be located from the FACP on a single wire run. The table ensures 6.0 volts of line drop maximum. In general, the wire length is limited by resistance, but for heavier wire gauges, capacitance is the limiting factor.

These cases are marked in the chart with an asterisk (*). Maximum length can never be more than 6,000 feet (1,800 m), regardless of gauge used. See table below.

WIRE REQUIREMENTS: POWER CIRCUIT

- 14 to 18 AWG (0.75 - 2.08 mm²) wire for 24 VDC power circuit is acceptable. Power wire distance limitation is set by 1.2 volt maximum line drop from source to end of circuit.
- All connections are power-limited and supervised.
- A maximum of eight ANN-80 modules may be connected to this circuit.

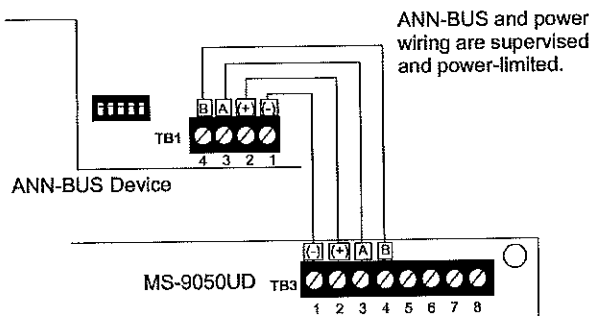
Communication Pair Wiring Distance: FACP to Last ANN-BUS Module				
Total Worst Case Current Draw (amps)	22 Gauge	18 Gauge	16 Gauge	14 Gauge
0.100	1,852 ft.	4,688 ft.	* 6,000 ft.	*6,000 ft.
0.200	926 ft.	2,344 ft.	3,731 ft.	5,906 ft.
0.300	617 ft.	1,563 ft.	2,488 ft.	3,937 ft.
0.400	463 ft.	1,172 ft.	1,866 ft.	2,953 ft.
0.500	370 ft.	938 ft.	1,493 ft.	2,362 ft.
0.600	309 ft.	781 ft.	1,244 ft.	1,969 ft.
0.700	265 ft.	670 ft.	1,066 ft.	1,687 ft.
0.800	231 ft.	586 ft.	933 ft.	1,476 ft.
0.900	206 ft.	521 ft.	829 ft.	1,312 ft.
1.000 (max.)	185 ft.	469 ft.	746 ft.	1,181 ft.



Reviewed for Code Compliance
Permitting and Inspections
Department
Approved 02/20/2020

WIRING CONFIGURATION

The following figure illustrates the wiring between the FACP and ANN-BUS devices.



FACP Wiring to ANN-BUS Device

ORDERING OPTIONS:

ANN-80: Red 80 character LCD Annunciator.

ANN-80-W: White, 80 character LCD Annunciator.

ANN-SB80KIT-R: Red surface mount backbox with angled wedge.

ANN-SB80KIT-W: White surface mount backbox with angled wedge.

FireLite® Alarms is a registered trademark of Honeywell International Inc. ©2009 by Honeywell International Inc. All rights reserved. Unauthorized use of this document is strictly prohibited.



This document is not intended to be used for installation purposes.
We try to keep our product information up-to-date and accurate.
We cannot cover all specific applications or anticipate all requirements.
All specifications are subject to change without notice.



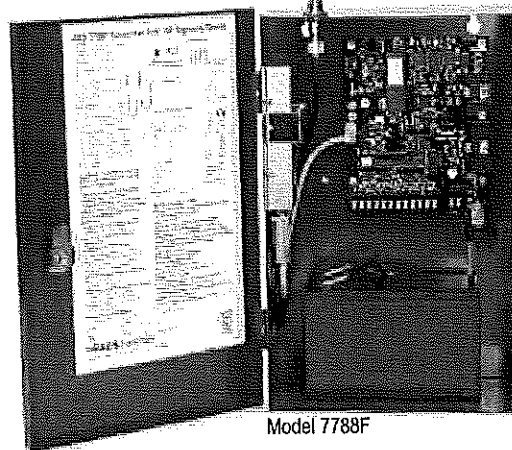
For more information, contact FireLite Alarms. Phone: (800) 627-3473, FAX: (877) 699-4105.
www.firelite.com



Reviewed for Code Compliance
Permitting and Inspections
Department
Approved 02/20/2020^{mc}

7788F/7744F Series

Wireless Fire Alarm Communicators for IntelliNet



Model 7788F



Advanced Wireless Alarm Monitoring

As expensive dedicated landlines, required for UL864 compliance disappear, and the future of GSM for alarm transmission becomes increasingly uncertain, the AES IntelliNet mesh radio network continues to offer unmatched reliability and speed in delivering wireless alarm signals to a central station without any third-party fees or reliance on networks operated by companies outside the alarm industry. The 7788F/7744F Series Subscribers provide the wireless communications link between the fire alarm panel and the central station receiver. Ideal for most commercial fire alarm applications, each 7788F/7744F Series Subscriber is housed in a full-sized, red, locked steel cabinet and supports a range of alarm panel inputs, including EOL fire, EOL supervised, and direct voltage from the panel (non-fire applications).

Supervised Operation

AES Subscribers offer fully-supervised operation that includes monitoring of operating power (both primary AC and battery back-up) and the connection to the mesh radio network. Each subscriber "checks-in" with the AES central station receiver at least once every 24 hours. The supervision check-in time can be set to as often as needed for the application, as appropriate for the network. Because the central station operates the wireless network, there is no additional cost for air time to transmit supervisory signals.

Full Data Reporting from Alarm Panel Digital Dialer

Models 7788F-ULP and 7744F-ULP come equipped with an IntelliPro-Fire Full Data Module (AES-7794) which enables reporting of full alarm data captured from the alarm panel's digital communicator. IntelliPro-Fire supports most alarm communication formats including Contact ID, Pulse, as well as Bosch Modem IIe and Modem IIIa2 (when converted to Contact ID format).

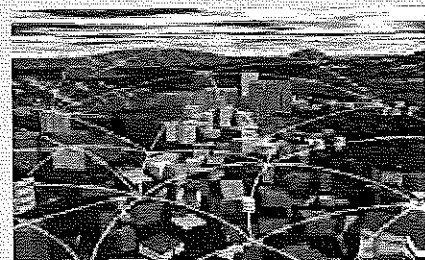
AES IntelliNet
CORPORATION | For Alarm Monitoring

Features – All models

- UL Listed commercial fire alarm applications
- Meets NFPA 72 requirements
- Direct reporting to AES receiver across IntelliNet mesh radio network
- Each Subscriber acts as transmitter/receiver/repeater
- Simple and fast activation on network
- On board status LEDs for easy set up
- 8 programmable zone inputs – 7788F
- 4 programmable zone inputs and 4 reverse polarity inputs – 7744F
- Easy programming via AES handheld programmer or PC
- Rugged metal housing ideal for any commercial fire alarm application
- Narrowband compliant

Models 7788F/7744F-ULP with IntelliPro Fire also includes

- IntelliPro Fire transmits full alarm data from virtually any fire alarm panel digital communicator
- Alarm format support for Contact ID, Pulse, as well as Bosch Modem IIe and Modem IIIa
- Easy installation in AES subscriber
- Operates in applications with or without a phone line



Wireless mesh networking is an innovative technology adopted by many industries with applications that need to communicate data over a large geographic area with a high level of reliability at a low total cost of ownership.

The advanced design and 2-way communications capability provides easy installation, expansion, and management when compared to alternative communication methods, both wired and wireless.



Reviewed for Code Compliance
Permitting and Inspections
Department
Approved 02/20/2020^{unc}

7744F/7788F Series



Technical Specifications

7788F/7744F Series Subscriber

Dimensions

- 13.25"H x 8.5"W x 4.3"D
(34cm H x 21.5cm W x 11cm D)

Weight

- Approx. 7 pounds (3.2 kilograms),
excludes battery.

Radio Frequency

- Standard Frequency Range:
450-470MHz
(others available in 400-512MHz range)
- Output Power – 2 Watts

Antenna

- Included 2.5 db tamper resistant antenna
mounts on enclosure
- Multiple remote antenna options available

Power Input

- 16.5VAC, 40VA transformer (not included)
(AES 1640, ELK TRG1640, MG Electronics
MGT1640 – UL Listed for use)

Backup Battery

- Will charge 12V battery up to 7.5 AH. Requires
12VDC 7.5 AH battery for UL 864.

Alarm Signal Inputs (subscriber)

- 7788F – 8 individually programmable zones
- 7744F – 4 individually programmable zones
and 4 reverse polarity inputs

UL Standards

- UL 864 Edition 9 – Standard for Control Units
and Accessories for Fire Alarm Systems
- UL 365 – Standard for Police Station
Connected Burglar Alarm Units and Systems
- UL 1681 – Standard for Central Station Burglar
Alarm Units

Antenna Cut / Communication

Trouble Output

- Form C relay; fail secure;
rated for 24 VDC 1A resistive

Reset Button

- Located on main circuit board.

Operating Temperature

- 0° to 50° C (32° to 122°F)

Storage Temperature

- -10° to 60° C (14° to 140°F)

Relative Humidity

- 0 to 85% RHC, Non Condensing

AES-7794 IntelliPro Fire

Packaged with 7744F-ULP and 7788F-ULP

Input / Output Connections

- RJ11 connection to AES subscriber for module
data and power
- RJ11 connector for Handheld Programmer/PC
programming
- RJ31X Telco connections - T and R both in
and out via terminal strip and RJ45
- Alarm Panel digital communicator T and R
both in and out via terminal strip and RJ45
- Trouble output: Form C relay detects if
Subscriber is off the network

Alarm Formats

- Support for Contact ID and Pulse formats as
well as Modem IIe and Modem IIIa2 converted
to CID

Size

- 2.8 x 5.0 inches (7.1cm x 12.7cm)

Power Requirements

- 12 VDC nominal - primary and backup power
provided by the AES 7788F/7744F or other
Subscriber

How to Order

Model	Description
7744F	4 Zone Fire Alarm Subscriber with 4 reverse polarity inputs

7744F-ULP 7744F Fire Alarm Subscriber with IntelliPro Fire full data module

7788F 8 Zone Fire Alarm Subscriber

7788F-ULP 7788F Fire Alarm Subscriber with IntelliPro Fire full data module

Optional Accessories

7041E Subscriber Handheld Programmer

7794 IntelliPro Fire-Full Data Module

1640 Plug-in Transformer: 16.5VAC, 40VA



AES-IntelliNet™ is the industry leader in delivering high-quality mesh radio networks to the fire and security industry in commercial, corporate, government, and educational applications with its broad line of products and advanced network management tools. Users of AES-IntelliNet networks have gained significant revenue, communications, and cost advantages while meeting the high standards of reliability required for the fire and security industry. AES-IntelliNet alarm monitoring systems are deployed at hundreds of thousands of locations in over 130 countries.



For more information

Call 800-AES-NETS (800-237-6387)

AES Corporation | 285 Newbury Street | Peabody, MA 01960 USA
Tel. +1 978-535-7310 | Fax +1 978-535-7313
Email info@aes-intellinet.com | Web www.aes-intellinet.com

Copyright 2012 AES Corporation
AES-IntelliNet is a registered trademark of
AES Corporation

7788-7744F/1/12/R4



H365 Series

Addressable Heat Detectors



Addressable Devices

The Fire-Lite® Alarms H365(A), H365R(A), and H365HT(A) addressable plug-in thermal detectors are designed for both performance and aesthetics and are a direct replacement for the H355 Series. A new modern, sleek, contemporary design and advanced thermal technologies make the H365(A) Series ideal for both system operation and building design.

Exclusively for use with Fire-Lite's addressable fire alarm control panels, the H365(A) Series point ID capability allows each detector's address to be set with rotary, decimal address switches, providing exact detector location for emergency personnel to quickly locate a fire during its early stages, potentially saving precious rescue time while also reducing property damage. Two LEDs on each sensor light to provide a local, visible sensor indication.

The H365(A) Series includes fixed temperature, rate-of-rise and high heat fixed temperature detectors that provide effective, intelligent property protection for a variety of applications. Detectors are available for both LiteSpeed™ and CLIP applications as designated.

Features

SLC LOOP:

- Two-wire SLC loop connection
- Unit uses base for wiring

ADDRESSING:

- Addressable by device
- Rotary, decimal addressing
(Refer to the *Fire-Lite panel manuals* for device capacity.)

ARCHITECTURE:

- Designed to meet UL 268 7th Edition
- Sleek, low-profile, stylish design
- State-of-the-art thermistor technology for fast response
- Integral communications and built-in device-type identification
- Built-in tamper resistant feature
- Built-in functional test switch activated by external magnet

OPERATION:

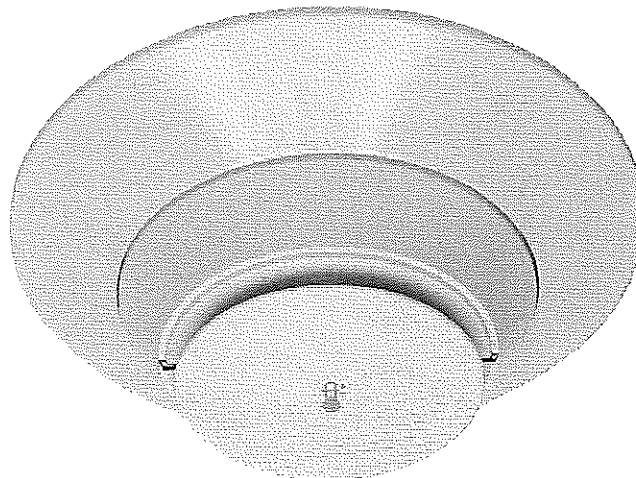
- Fixed temperature model (H365(A)) factory preset to 135°F (57°C)
- Rate-of-rise model (H365R(A)), 15°F (8.3°C) per minute
- High-temperature model (H365HT(A)) factory preset to 190°F (88°C)
- 360°-field viewing angle of the two visual alarm indicators, LEDs blink red in Normal condition and turn on steady red in Alarm
- LEDs blink every time the unit is polled

MECHANICALS:

- Sealed against back pressure
- SEMS screws for wiring of the separate base
- Designed for direct-surface or electrical-box mounting
- Plugs into separate base for ease of installation and maintenance
- Separate base allows interchange of photoelectric, ionization and thermal sensors

OTHER SYSTEM FEATURES:

- Remote test feature from the panel
- Walk test with address display
- Low standby current



OPTIONS:

- Remote LED output connection to optional RA100Z remote LED annunciator

Installation

H365 Series plug-in intelligent thermal detectors use a detachable base to simplify installation, service and maintenance. Installation instructions are shipped with each detector.

Mount detector base (all base types) on an electrical backbox which is at least 1.5" (3.81 cm) deep. For a chart of compatible junction boxes, see DF-60059.

NOTE: Because of the inherent supervision provided by the SLC loop, end-of-line resistors are not required. Wiring "T-taps" or branches are permitted for Style 4 (Class "B") wiring only.

When using relay or sounder bases, consult the I300(A) installation sheet I56-3626 for device limitations between isolator modules and Isolator bases.

Applications

Use thermal detectors for protection of property. For further information, refer to I56-6525, Applications Manual for System Smoke Detectors, which provides detailed information on detector spacing, placement, zoning, wiring, and special applications.

Construction

These detectors are constructed of fire-resistant plastic. The H365 Series plug-in intelligent thermal detectors are designed to commercial standards and offer an attractive appearance.

Operation

Each H365 Series detector uses one of the panel's addresses (total limit is panel dependent) on the Fire-LiteJCI Signaling Line Circuit (SLC). It responds to regular polls from the control panel and reports its type and the status. If it receives a test command from the panel (or a local magnet test), it stimulates its electronics and reports an alarm. It blinks its LEDs when polled and turns the LEDs on when commanded by the panel. The H365 Series offers features and performance that represent the latest in thermal detector technology.



Product Line Information

NOTE: "-IV" suffix indicates CLIP and LiteSpeed device.

NOTE: "A" suffix indicates Canadian version.

H365: White, low-profile intelligent 135°F fixed thermal sensor, LiteSpeed only

H365A: Same as H365 but with ULC listing

H365-IV: Ivory, low-profile intelligent 135°F fixed thermal sensor, LiteSpeed and CLIP

H365A-IV: Same as H365-IV but with ULC listing

H365R: White, low-profile intelligent rate-of-rise thermal sensor, LiteSpeed only

H365RA: Same as H365R but with ULC listing

H365R-IV: Ivory, low-profile intelligent rate-of-rise fixed thermal sensor, LiteSpeed and CLIP

H365RA-IV: Same as H365R-IV but with ULC listing

H365HT: White, low-profile intelligent 190°F fixed thermal sensor, LiteSpeed only

H365HTA: Same as H365H but with ULC listing

H365HT-IV: Ivory, low-profile intelligent 190°F thermal sensor, LiteSpeed and CLIP

H365HTA-IV: Same as H365H-IV but with ULC listing

INTELLIGENT BASES

NOTE: For details on intelligent bases, see DF-60059.

B300-6: White, 6" base, standard flanged low-profile mounting base (CSFM: 7300-1653:0109)

B300-6-IV: Ivory, 6" base, standard flanged low-profile mounting base (CSFM: 7300-1653:0109)

B300A-6: Same as B300-6, ULC listed

B300A-6-IV: Ivory, 6" standard flanged low-profile mounting base, ULC listed

B300-6-BP: Bulk pack of B300-6, package contains 10

B501-WHITE: White, 4" standard European flangeless mounting base. UL/ULC listed (CSFM: 7300-1653:0109)

B501-BL: Black, 4" standard European flangeless mounting base. UL/ULC listed (CSFM: 7300-1653:0109)

B501-IV: Ivory color, 4" standard European flangeless mounting base. UL/ULC listed (CSFM: 7300-1653:0109)

B501-WHITE-BP: Bulk pack of B501-WHITE contains 10

B224RB-WH: White, relay base (CSFM: 7300-1653:0216)

B224RB-IV: Ivory, relay base (CSFM: 7300-1653:0216)

B224RBA-WH: White, relay base, ULC listing

B224RBA-IV: Ivory, relay base, ULC listing

B224BI-WH: White, isolator detector base (CSFM: 7300-1653:0216)

B224BI-IV: Ivory isolator detector base (CSFM: 7300-1653:0216)

B224BIA-WH: White, isolator detector base, ULC listing

B224BIA-IV: Ivory isolator detector base, ULC listing

B200S-WH: White, intelligent addressable sounder base capable of producing sound output in high or low volume with ANSI Temporal 3, ANSI Temporal 4, continuous tone, marching tone, and custom tone. Uses FlashScan protocol. (CSFM: 7300-1653:0213)

B200S-IV: Ivory, intelligent addressable sounder base capable of producing sound output in high or low volume with ANSI Temporal 3, ANSI Temporal 4, continuous tone, marching tone, and custom tone. Uses FlashScan protocol. (CSFM: 7300-1653:0213)

B200SA-WH: Same as B200S-WH, ULC listing

B200SA-IV: Same as B200S-IV, ULC listing

B200SCOA-WH: White, intelligent, programmable sounder base in English/French (required in Canada for ULC applications with CO Series detector applications)

B200SCOA-IV: Ivory intelligent, programmable sounder base in English/French (required in Canada for ULC applications with CO Series detector applications, ULC listing)

B200S-LF-WH: White, Low Frequency Intelligent, programmable sounder base. Produces a fundamental frequency of 520 Hz +/- 10% with a square wave or its equivalent; designed to meet the NFPA 72 sleeping space requirement. (CSFM: 7300-1653:0238)

B200S-LF-IV: Ivory, Low Frequency Intelligent, programmable sounder base. Produces a fundamental frequency of 520 Hz +/- 10% with a square wave or its equivalent; designed to meet the NFPA 72 sleeping space requirement. (CSFM: 7300-1653:0238)

B200SR-WH: White, intelligent sounder base capable of producing sound output with ANSI Temporal 3 or continuous tone. Intended for retrofit applications. (CSFM: 7300-1653:0213)

B200SR-IV: Ivory, intelligent sounder base capable of producing sound output with ANSI Temporal 3 or continuous tone. Intended for retrofit applications. (CSFM: 7300-1653:0213)

B200SRA-WH: Same as B200SR-WH with, ULC listing

B200SRA-IV: Same as B200SR-IV in Ivory color, ULC listing

B200SR-LF-WH: White, Low Frequency Intelligent, programmable sounder base. Produces a fundamental frequency of 520 Hz +/- 10% with a square wave or its equivalent; designed to meet the NFPA 72 sleeping space requirement. Intended for retrofit applications. (CSFM: 7300-1653:0238)

B200SR-LF-IV: Ivory, Low Frequency Intelligent, programmable sounder base. Produces a fundamental frequency of 520 Hz +/- 10% with a square wave or its equivalent; designed to meet the NFPA 72 sleeping space requirement. Intended for retrofit applications. (CSFM: 7300-1653:0238)

MOUNTING KITS AND ACCESSORIES

TR300: White, replacement flange for B210LP(A) base

TR300-IV: Ivory, replacement flange for B210LP(A) base

RA100Z(A): Remote LED annunciator. 3-32 VDC. Mounts to a U.S. single-gang electrical box. For use with B501(A) and B300-6(A).

M02-04-00: Test magnet

M02-09-00: Test magnet with telescoping handle

CK300: Color Kit (includes cover and trim ring), white, 10-pack

CK300-IV: Color Kit (includes cover and trim ring), ivory, 10-pack

CK300-BL: Color Kit (includes cover and trim ring), black, 10-pack



SYSTEM SPECIFICATIONS

Size: 2.0" (5.3 cm) high; base determines diameter

- **B300-6:** 6.1" (15.6 cm) diameter
- **B501:** 4" (10.2 cm) diameter

For a complete list of detector bases see DF-60983

Shipping weight: 3.4 oz. (95 g)

Operating temperature range:

- H365, H365R Series: –4°F to 100°F (–20°C to 38°C)
- H365H Series: –4°F to 150°F (–20°C to 66°C)

Detector spacing: UL approved for 50 ft. (15.24 m) center-to-center, FM approved for 25 x 25 ft. (7.62 x 7.62 m) spacing

Relative humidity: 10% – 93% non-condensing

Thermal ratings: fixed-temperature set point 135°F (57°C), rate-of-rise detection 15°F (8.3°C) per minute, high temperature heat 190°F (88°C)

Mounting: B300-6(A) flanged base, included

See "Product Line Information: Intelligent Bases," if using a different base.

ELECTRICAL SPECIFICATIONS

Voltage range: 15 - 32 volts DC peak

Standby current (max. avg.): 200µA @ 24 VDC (one communication every 5 seconds with LED enabled)

Max current: 4.5 mA @ 24 VDC ("ON")

Listings and Approvals

Listings and approvals below apply to the H365 Series detectors. In some cases, certain modules may not be listed by certain approval agencies, or listing may be in process. Consult factory for latest listing status.

- UL/Ulc Listing: S2517
- FM Approved
- CSFM: 7272-0075:0501

LiteSpeed™ is a trademark and Fire-Lite® Alarms is a registered trademark of Honeywell International Inc.
©2019 by Honeywell International Inc. All rights reserved. Unauthorized use of this document is strictly prohibited.



This document is not intended to be used for installation purposes.
We try to keep our product information up-to-date and accurate.
We cannot cover all specific applications or anticipate all requirements.
All specifications are subject to change without notice.

For more information, contact Fire-Lite Alarms. Phone: (800) 627-3473, FAX: (877) 699-4105. Country of Origin: Mexico
www.firelite.com

FIRE-LITE® ALARMS



BG-12SL Single Action Pull Station

Document: 51860 Revision: A ECN: 01-500 09/14/01
Patented, U.S. Patent No. Des. 428,351 Other Patents Pending

Description

The BG-12SL Pull Station is a non-coded manual pull station which provides a Fire Alarm Control Panel (FACP) with a single alarm initiating input signal.

The pull station is a single-action model equipped with a key lock/reset. Pigtail wires are provided for connection to the FACP Initiating Device Circuit.

It is UL listed and meets the ADA requirement of a 5-lb. maximum pull force to activate. Operating instructions are molded into the handle along with Braille text.

Switch Contact Rating

All Switch contacts are rated for 0.25 A at 30 volts (AC or DC).

Installation

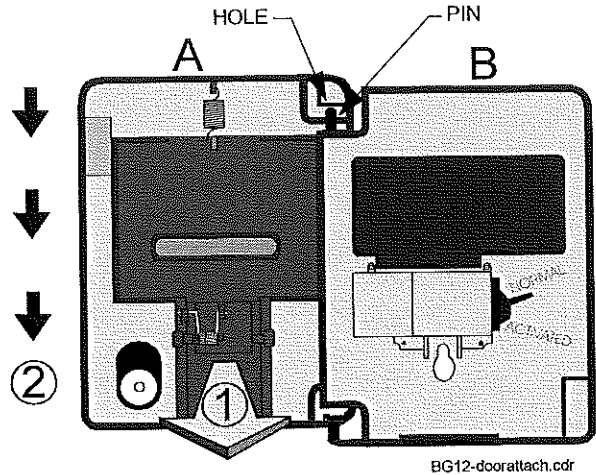
The pull station can be surface mounted to a Surface Backbox (SB-10) or semi-flush mount to a standard double-gang, or 4-inch (10.16cm) square electrical box. An optional Trim Ring (BG-TR) may be used when semi-flush mounting the unit.



CAUTION: The door of the pull station may detach from the backplate and cannot be re-attached if backplate is installed on an SB-10 surface backbox or an electrical box.

To re-attach the door----

Hold door (A) to the rear of the backplate (B) as shown in the figure below. Bring door forward (1) to align pins with holes. Slide door down (2) onto backplate. Close door partially to lock into place.



Operation

To activate the pull station, simply pull down the handle. The word 'ACTIVATED' appears after the handle is pulled down. This will remain until the pull station is reset.



This pull station includes one Single Pole, Single Throw (SPST) Normally Open (N/O) switch which closes upon activation of the pull station.

Resetting the Pull Station

1. Insert the key into the lock and rotate 1/4 turn counterclockwise.
2. Open the door until the handle returns to normal.
3. Close and lock the door.

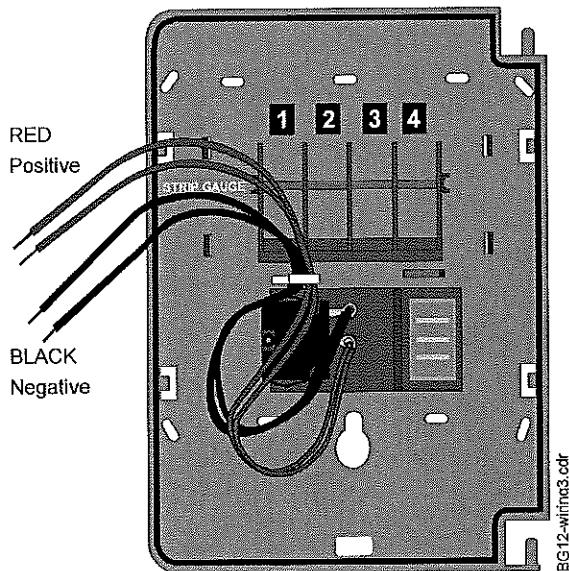
Note: Closing the door automatically resets the switch to the 'Normal' position. Opening the door will not activate or deactivate the alarm switch.

Wiring Instructions for BG-12SL

Prior to wiring the pull station, pull all necessary wiring through a mounted backbox and the optional trim ring.

Connect the field wiring from the FACP's IDC, or previous device on the IDC, to the pull station's pigtail wires.

1. Connect the positive (+) FACP's IDC wire to a red pigtail wire and the negative (-) FACP's IDC wire to a black pigtail wire.
2. Connect the positive (+) wire going to the next device, or an ELR, to the remaining red pigtail wire and the negative (-) wire going to the next device, or an ELR, to the remaining black pigtail wire.
3. Maintain consistent polarity with all connections throughout the IDC.



Caution

Install the pull station in accordance with the supplied instructions, applicable NFPA standards, national and local Fire and Electrical codes and the requirements of the Authority Having Jurisdiction (AHJ). Conduct regular testing of the devices using appropriate NFPA standards. Fire•lite Alarms is not responsible for devices that have not been properly installed, tested and maintained.

ADA Compliance

For ADA compliance, if the clear floor space only allows forward approach to an object, the maximum forward reach height allowed is 48-inches (121.92cm). If the clear floor space allows parallel approach by a person in a wheelchair, the maximum side reach allowed is 54-inches (137.16cm).

Document: 51860 Revision: A ECN: 01-500 09/14/01



Reviewed for Code Compliance
Permitting and Inspections
Department
April 02/20/2020



SpectrAlert® Advance Mini-Horns

MHR/MHW

 **FIRE-LITE® Alarms**
by Honeywell

Audio/Visual Devices

General

The SpectrAlert® Advance series of mini-horn sounders are designed to simplify installation to provide primary and secondary signaling for fire and security applications.

The MHR and MHW mini-horns operate at 12 and 24 volts and are ideal for hotel, motel or residential fire system applications, where a smaller notification device is desired. The mini-horns offer high and low volume settings, and temporal or non-temporal tones. The horns can be mounted to single gang back boxes for aesthetically sensitive applications. Synchronization is also provided when using the MDL3R, MDL3W module or any Fire•Lite panel with the System Sensor sync protocol.

The MHR and MHW mini-horns can operate between 32 and 120 degrees Fahrenheit from a regulated DC or full-wave rectified, unfiltered power supply. They are listed to Underwriter's Laboratories.

Features

- Standard UL 464 for fire protective signaling systems.
- 12 and 24V operation.
- High and low volume settings.
- Temporal and non-temporal tones.
- Mounts to a single-gang backbox.
- Compatible with MDL sync module.
- Mechanically and electrically compatible with PA400 series Mini-Alert™ sounders.

Specifications

PHYSICAL SPECIALIZATIONS

Dimensions: 4.6"L x 2.9"W x .45"D.

Weight: 2.67 oz.

Operating Temperature Range: 0°C to 49°C (32°F to 120°F).

Mounting: Surface: Deep single-gang backbox (2-3/4" deep);
Flush: Standard 4" x 4" back box.

ELECTRICAL SPECIFICATIONS

Input Terminals: 12 to 18 AWG

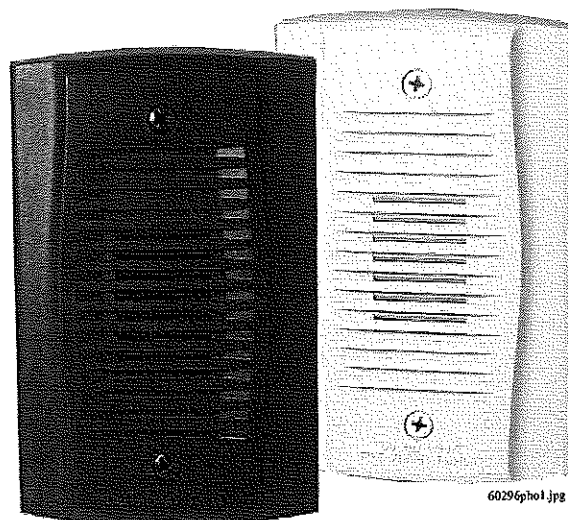
Nominal Voltage: Regulated 12DC/FWR or 24DC/FWR

Operating Voltage: 8-33

Operating Voltage with MDL3R/W: 9-33

Architectural/Engineering Specifications

Mini-horns shall be a System Sensor Model MHR or MHW capable of operating at nominal 12 or 24VDC and shall mount to a single gang back box. Mini-horns shall be listed to Underwriter's Laboratories Standard UL464 for fire protective signaling systems. Mini-horns shall operate between 32 and 120 degrees Fahrenheit from a regulated DC, or full-wave rectified, unfiltered power supply. When used with the Sync•Circuit™ Module, 12-volt rated notification appliance circuit outputs shall operate between nine and 17.5 volts; 24-volt rated notification appliance circuit outputs shall operate between 17 and 33 volts.



Listings and Approvals

These listings and approvals apply to the modules specified in this document. In some cases, certain modules or applications may not be listed by certain approval agencies, or listing may be in progress. Consult factory for listing status.

- **UL Listed:** S4011
- **MEA:** 7-07-E
- **CSFM:** 7135-1653:196
- **FM Approved:** 3028007

Ordering Information

MHR: Mini-Horn; Red.

MHW: Mini-Horn; White.



UL Sound Output and Current Draw Data

SOUNDER OUTPUT (dBA)

Switch Position	Sound Pattern	Volume	8-17.5 VDC	8-17.5 VFWR	Nominal 12 VDC	Nominal 12 VFWR	16-33 VDC	16-33 VFWR
1	Temporal	High	68	67	71	70	78	76
2	Temporal	Low	66	65	69	68	76	75
3	Non-temporal	High	72	71	75	74	80	79
4	Non-temporal	Low	70	69	73	72	78	77

SOUNDER CURRENT DRAW (mA RMS)

Switch Position	Sound Pattern	Volume	8-17.5 V		16-33 V	
			DC	FWR	DC	FWR
1	Temporal	High	12	10	17	15
2	Temporal	Low	10	9	14	13
3	Non-temporal	High	22	17	29	25
4	Non-temporal	Low	17	13	21	19

SpectrAlert® is a registered trademark and Mini-Alert™ is a trademark of Honeywell International Inc.
©2010 by Honeywell International Inc. All rights reserved. Unauthorized use of this document is strictly prohibited.



This document is not intended to be used for installation purposes.
We try to keep our product information up-to-date and accurate.
We cannot cover all specific applications or anticipate all requirements.
All specifications are subject to change without notice.



Made in the U.S. A.

For more information, contact Fire•Lite Alarms. Phone: (800) 627-3473, FAX: (877) 699-4105.
www.firelite.com



INSTALLATION INSTRUCTIONS FOR M301 AND M301A MONITOR MODULES

GENERAL

M301 and M301A Monitor Modules provide two-wire, Styles A and B initiating circuits for normally open contact fire alarm and supervisory devices.

The M301 and M301A are small enough to fit inside a single gang junction box behind the monitored device. The small size and light weight allow them to be installed without rigid mounting (see Figure 1).

COMPATIBILITY REQUIREMENTS

To insure proper operation, these modules must be connected to compatible addressable Fire-Lite control panels only.

INSTALLATION

CAUTION

Do not connect circuit wiring to control unit or modules, or apply power to any portion of the system until after the circuit test has been performed.

Note: All wiring must conform to applicable local codes, ordinances and regulations.

1. Install module wiring in accordance with the job drawings and wiring diagram as appropriate (Figure 2).
2. Set the desired address on the module per job drawings.
3. Record the address and loop on the front of the module if desired.

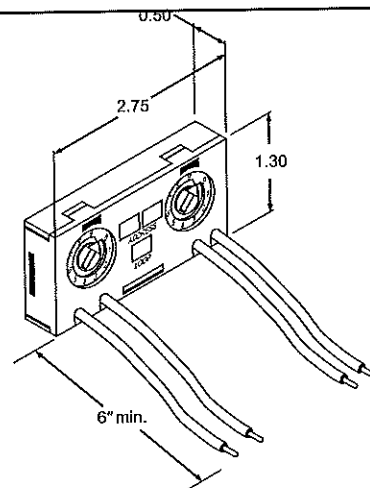


Figure 1

A78-2426-00

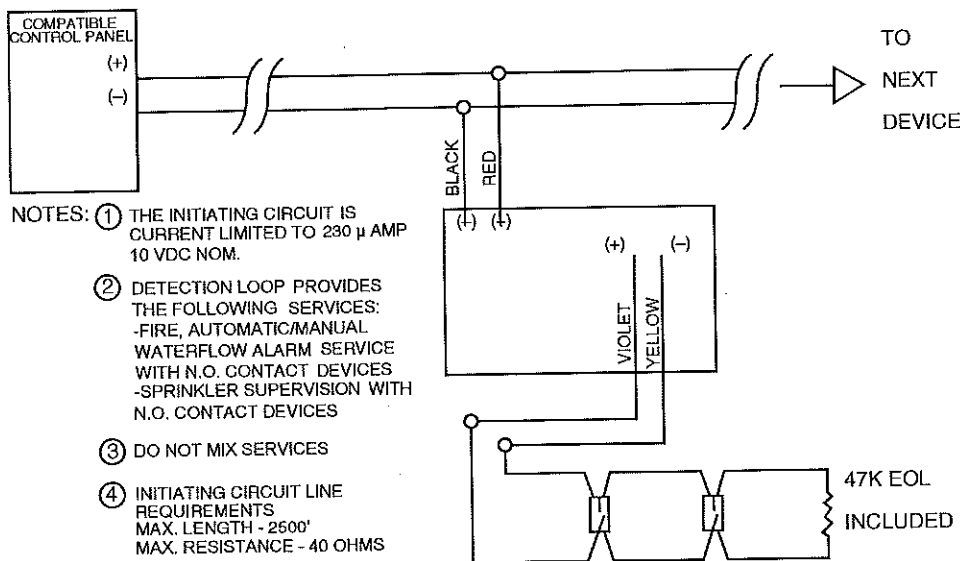


Figure 2

Typical 2-wire Styles A and B Initiating Circuit Configuration
of a M301 or M301A Monitor Module

A78-2427-572



SD365 Series

Addressable Photoelectric Smoke Detectors



Addressable Devices

The Fire•Lite® Alarms SD365(A), SD365R(A), and SD365HT(A) intelligent plug-in smoke detectors are designed for both performance and aesthetics, and are direct replacements for the SD355 Series. A new modern, sleek, contemporary design and enhanced optical sensing chamber is engineered to sense smoke produced by a wide range of combustion sources in accordance with more stringent code standards.

Exclusively for use with Fire•Lite's addressable fire alarm control panels, the SD365(A) Series point ID capability allows each detector's address to be set with rotary, decimal address switches, providing exact detector location for emergency personnel to quickly locate a fire during its early stages, potentially saving precious rescue time while also reducing property damage. Two LEDs on each sensor light to provide a local, visible sensor indication.

The SD365(A) Series also offers 135°F (57°C) fixed temperature thermal sensing on the SD365T(A) and a remote test capable detector on the SD365R(A) for use with DNR(A)/DNRW duct smoke detector housings.

Features

SLC LOOP:

- Two-wire SLC loop connection
- Unit uses base for wiring
- Compatible with LiteSpeed™ and CLIP protocol systems
- Stable communication technique with noise immunity

ADDRESSING:

- Addressable by device
- Rotary, decimal addressing
(Refer to the *Fire•Lite panel manuals* for device capacity.)

ARCHITECTURE:

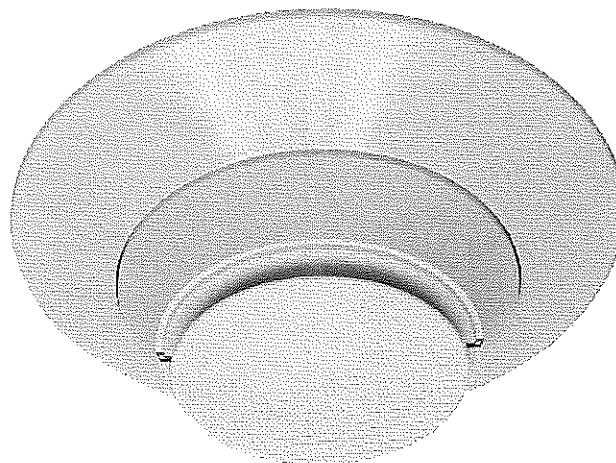
- Sleek, low-profile, stylish design
- Unique single-source design to respond quickly and dependably to a broad range of fires
- Integral communications and built-in device-type identification
- Built-in tamper resistant feature
- Remote test feature from the panel
- Walk test with address display (an address on 121 will blink the detector LED: 12-[pause]-1 (*LiteSpeed systems only*))
- Built-in functional test switch activated by external magnet
- Removable cover and insect-resistant screen for simple field cleaning
- Expanded color options

OPERATION:

- Designed to meet UL 268 7th Edition
- Factory preset at 1.5% nominal sensitivity for panel alarm threshold level
- LED "blinks" when the unit is polled (communicating with the fire panel) and latches in alarm.
- Low standby current

MECHANICALS:

- Sealed against back pressure
- SEMS screws for wiring of the separate base
- Designed for direct-surface or electrical-box mounting



- Plugs into separate base for ease of installation and maintenance
- Separate base allows interchange of photoelectric, ionization and thermal sensors

OPTIONS:

- Optional relay, isolator, and sounder bases

Installation

SD365 Series plug-in intelligent smoke detectors use a detachable base to simplify installation, service and maintenance. Installation instructions are shipped with each detector.

Mount detector base (all base types) on an electrical backbox which is at least 1.5" (3.81 cm) deep. For a chart of compatible junction boxes, see DF-60059.

NOTE: Because of the inherent supervision provided by the SLC loop, end-of-line resistors are not required. Wiring "T-taps" or branches are permitted for Style 4 (Class "B") wiring only. When using relay or sounder bases, consult the I300(A) installation sheet I56-3626 for device limitations between isolator modules and isolator bases.

Construction

These detectors are constructed of fire-resistant plastic. The SD365 Series plug-in intelligent smoke detectors are designed to commercial standards and offer an attractive appearance.

Operation

Each SD365 Series detector uses one of the panel's addresses (total limit is panel dependent) on the Fire•Lite Signaling Line Circuit (SLC). It responds to regular polls from the control panel and reports its type and the status. If it receives a test command from the panel (or a local magnet test), it stimulates its electronics and reports an alarm. It blinks its LEDs when polled and turns the LEDs on when commanded by the panel. The SD365 Series offers features and performance that represent the latest in smoke detector technology.

Detector Sensitivity Test

Each detector can have its sensitivity tested (required per NFPA 72, Chapter 14 on *Inspection, Testing and Maintenance*) when installed/connected to an Fire•Lite addressable fire alarm control panel. The results of the sensitivity test can be printed for record keeping.



Product Line Information

NOTE: "IV" suffix indicates CLIP and LiteSpeed device.

NOTE: "A" suffix indicates Canadian version.

SD365: White, low-profile intelligent photoelectric sensor, LiteSpeed only

SD365A: Same as SD365 but with ULC listing

SD365-IV: Ivory, low-profile intelligent photoelectric sensor

SD365A-IV: Same as SD365-IV but with ULC listing

SD365T: White, same as **SD365** but includes a built-in 135°F (57°C) fixed-temperature thermal device, LiteSpeed only

SD365TA: Same as SD365T but with ULC listing

SD365T-IV: Ivory, same as SD365T but includes a built-in 135°F (57°C) fixed-temperature thermal device

SD365TA-IV: Same as SD365T-IV but with ULC listing

SD365R: White, low-profile intelligent photoelectric sensor, remote test capable, for use with DNR/DNRW, LiteSpeed only

SD365RA: Same as SD365R but with ULC listing, for use with DNRA

SD365R-IV: Ivory, low-profile intelligent photoelectric sensor, remote test capable, for use with DNR/DNRW

SD365RA-IV: Same as SD365R-IV but with ULC listing, for use with DNRA

INTELLIGENT BASES

NOTE: For details on intelligent bases, see DF-60059.

B300-6: White, 6" base, standard flanged low-profile mounting base (CSFM: 7300-1653:0109)

B300-6-IV: Ivory, 6" base, standard flanged low-profile mounting base (CSFM: 7300-1653:0109)

B300A-6: Same as B300-6, ULC listed

B300A-6-IV: Ivory, 6" standard flanged low-profile mounting base, ULC listed

B300-6-BP: Bulk pack of B300-6, package contains 10

B501-WHITE: White, 4" standard European flangeless mounting base. UL/ULC listed (CSFM: 7300-1653:0109)

B501-BL: Black, 4" standard European flangeless mounting base. UL/ULC listed (CSFM: 7300-1653:0109)

B501-IV: Ivory color, 4" standard European flangeless mounting base. UL/ULC listed (CSFM: 7300-1653:0109)

B501-WHITE-BP: Bulk pack of B501-WHITE contains 10

B224RB-WH: White, relay base (CSFM: 7300-1653:0216)

B224RB-IV: Ivory, relay base (CSFM: 7300-1653:0216)

B224RBA-WH: White, relay base, ULC listing

B224RBA-IV: Ivory, relay base, ULC listing

B224BI-WH: White, isolator detector base (CSFM: 7300-1653:0216)

B224BI-IV: Ivory Isolator detector base (CSFM: 7300-1653:0216)

B224BIA-WH: White, isolator detector base, ULC listing

B224BIA-IV: Ivory isolator detector base, ULC listing

B200S-WH: White, Intelligent addressable sounder base capable of producing sound output in high or low volume with ANSI Temporal 3, ANSI Temporal 4, continuous tone, marching tone, and custom tone. Uses FlashScan protocol. (CSFM: 7300-1653:0213)

B200S-IV: Ivory, Intelligent addressable sounder base capable of producing sound output in high or low volume with ANSI Temporal 3, ANSI Temporal 4, continuous tone, marching tone, and custom tone. Uses FlashScan protocol. (CSFM: 7300-1653:0213)

B200SA-WH: Same as B200S-WH, ULC listing

B200SA-IV: Same as B200S-IV, ULC listing

B200SCOA-WH: White, Intelligent, programmable sounder base in English/French (required in Canada for ULC applications with CO Series detector applications)

B200SCOA-IV: Ivory Intelligent, programmable sounder base in English/French (required in Canada for ULC applications with CO Series detector applications, ULC listing)

B200S-LF-WH: White, Low Frequency Intelligent, programmable sounder base. Produces a fundamental frequency of 520 Hz +/- 10% with a square wave or its equivalent; designed to meet the NFPA 72 sleeping space requirement. (CSFM: 7300-1653:0238)

B200S-LF-IV: Ivory, Low Frequency Intelligent, programmable sounder base. Produces a fundamental frequency of 520 Hz +/- 10% with a square wave or its equivalent; designed to meet the NFPA 72 sleeping space requirement. (CSFM: 7300-1653:0238)

B200SR-WH: White, Intelligent sounder base capable of producing sound output with ANSI Temporal 3 or continuous tone. Intended for retrofit applications. (CSFM: 7300-1653:0213)

B200SR-IV: Ivory, Intelligent sounder base capable of producing sound output with ANSI Temporal 3 or continuous tone. Intended for retrofit applications. (CSFM: 7300-1653:0213)

B200SRA-WH: Same as B200SR-WH with, ULC listing

B200SRA-IV: Same as B200SR-IV in Ivory color, ULC listing

B200SR-LF-WH: White, Low Frequency Intelligent, programmable sounder base. Produces a fundamental frequency of 520 Hz +/- 10% with a square wave or its equivalent; designed to meet the NFPA 72 sleeping space requirement. Intended for retrofit applications. (CSFM: 7300-1653:0238)

B200SR-LF-IV: Ivory, Low Frequency Intelligent, programmable sounder base. Produces a fundamental frequency of 520 Hz +/- 10% with a square wave or its equivalent; designed to meet the NFPA 72 sleeping space requirement. Intended for retrofit applications. (CSFM: 7300-1653:0238)

MOUNTING KITS AND ACCESSORIES

TR300: White, replacement flange for B210LP(A) base

TR300-IV: Ivory, replacement flange for B210LP(A) base

RA100Z(A): Remote LED annunciator. 3-32 VDC. Mounts to a U.S. single-gang electrical box. For use with B501(A) and B300-6(A).

M02-04-00: Test magnet

M02-09-00: Test magnet with telescoping handle

CK300: Color Kit (includes cover and trim ring), white, 10-pack

CK300-IV: Color Kit (includes cover and trim ring), ivory, 10-pack

CK300-BL: Color Kit (includes cover and trim ring), black, 10-pack



SYSTEM SPECIFICATIONS

Sensitivity:

- UL Applications: 0.5% to 4.0% per foot obscuration.
- ULC Applications: 0.5% to 3.5% per foot obscuration

Size: 2.0" (5.3 cm) high; base determines diameter

- **B300-6:** 6.1" (15.6 cm) diameter
- **B501:** 4" (10.2 cm) diameter

For a complete list of detector bases see DF-60983

Shipping weight: 3.4 oz. (95 g)

Operating temperature range:

- SD365: 32°F to 122°F (0°C to 50°C)
- SD365T Series: 32°F to 100°F (0°C to 38°C)
- SD365R Series installed in a DNR/DNRW, -4°F to 158°F (-20°C to 70°C)

UL/ULC Listed Velocity Range: 0-4000 ft/min. (1219.2 m/min.), suitable for installation in ducts

Relative humidity: 10% – 93% non-condensing

Thermal ratings: fixed-temperature set point 135°F (57°C), rate-of-rise detection 15°F (8.3°C) per minute, high temperature heat 190°F (88°C)

ELECTRICAL SPECIFICATIONS

Voltage range: 15 - 32 volts DC peak

Standby current (max. avg.): 200µA @ 24 VDC (one communication every 5 seconds with LED enabled)

Max current: 4.5 mA @ 24 VDC ("ON")

DETECTOR SPACING AND APPLICATIONS

Fire-Lite recommends spacing detectors in compliance with NFPA 72. In low airflow applications with smooth ceiling, space detectors 30 feet (9.1m). For specific information regarding detector spacing, placement, and special applications refer to NFPA 72. A *System Smoke Detector Application Guide*, document A05-1003, is available at www.systemsensor.com.

Listings and Approvals

Listings and approvals below apply to the SD365 Series detectors. In some cases, certain modules may not be listed by certain approval agencies, or listing may be in process. Consult factory for latest listing status.

- UL/ULC Listing: S1059
- FM Approved
- CSFM: 7272-0075:0502

LiteSpeed™ is a trademark, and Fire-Lite® Alarms and System Sensor® are registered trademarks of Honeywell International Inc.
©2019 by Honeywell International Inc. All rights reserved. Unauthorized use of this document is strictly prohibited.



This document is not intended to be used for installation purposes.
We try to keep our product information up-to-date and accurate.
We cannot cover all specific applications or anticipate all requirements.
All specifications are subject to change without notice.

For more information, contact Fire-Lite Alarms. Phone: (800) 627-3473, FAX: (877) 699-4105. Country of Origin: Mexico
www.firelite.com



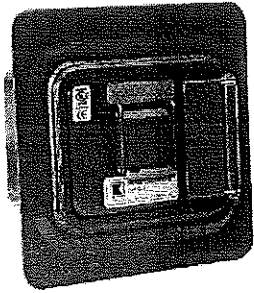
Reviewed for Code Compliance
Permitting and Inspections
Department
Approved 02/20/2020



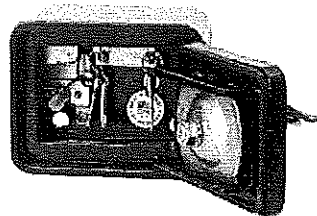
Knox-Box® 3200 Series HINGED DOOR MODEL

High Security Industrial/Government Key Box

Recessed Mount
with Face Flange



Surface Mount



The number one high-security KNOX-BOX® is used for most commercial applications including businesses, schools, government and public buildings, community associations and apartment complexes. The 3200 Series KNOX-BOX holds keys, access cards and other small items necessary for emergency access.

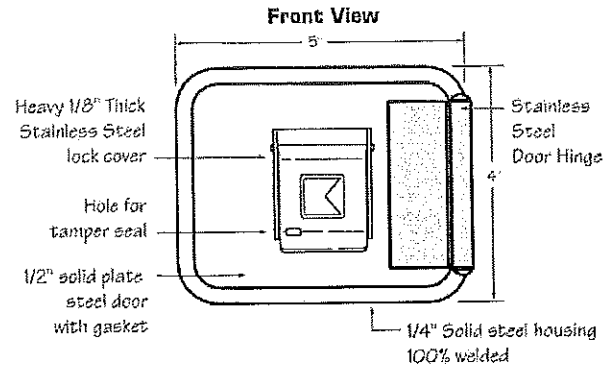
The hinged-door 3200 Series KNOX-BOX is more convenient than the lift-off door version because it allows single-handed operation and opened or closed, it's all one unit.

Features and Benefits

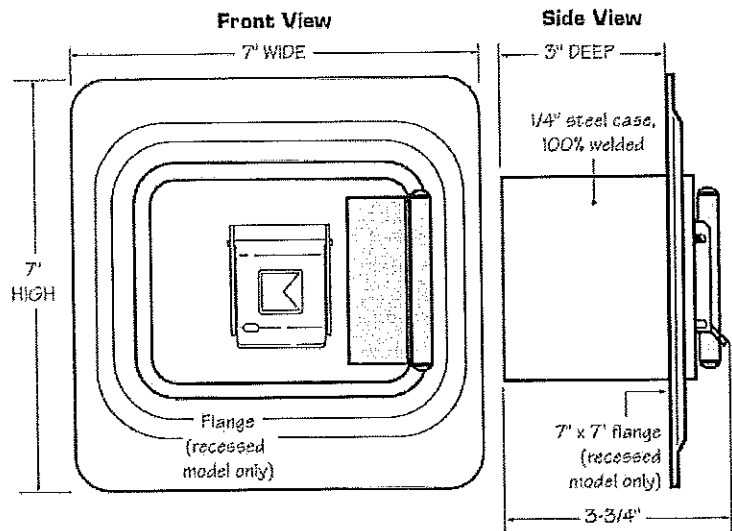
- Holds up to 10 keys and access cards in interior compartment
- Ensures high security. Box and lock are UL® Listed
- Includes a Knox-Coat® proprietary finishing process that protects Knox products up to four times better than standard powder coat
- Resists moist conditions with a weather resistant door gasket
- Hinged door allows single-handed operation
- Colors: Black, Dark Bronze or Aluminum
- Weight: Surface mount - 8 lbs.
Recessed mount - 9 lbs.

Options

- Alarm tamper switches (UL Listed)
- Recessed Mounting Kit (RMK) for recessed models only
- Inside switch for use on electrical doors, gates and other electrical equipment



3200 Surface Mount



3200 Recessed Mount

Ordering Specifications

To insure procurement and delivery of the 3200 Series KNOX-BOX, it is suggested that the following specification paragraph be used:

KNOX-BOX surface/recessed mount with hinged door, with/without UL Listed tamper switches. 1/4" plate steel housing, 1/2" thick steel door with interior gasket seal and stainless steel door hinge. Box and lock UL Listed. Lock has 1/8" thick stainless steel dust cover with tamper seal mounting capability.

Exterior Dimensions: Surface mount body- 4"H x 5"W x 3-3/4"D
Recessed mount flange- 7"H x 7"W

Lock: UL Listed. Double-action rotating tumblers and hardened steel pins accessed by a biased cut key.

Finish: Knox-Coat® proprietary finishing process

Colors: Black, Dark Bronze or Aluminum

P/N: 3200 Series KNOX-BOX (mfr's cat. ID)

Mfr's Name: **KNOX COMPANY**



**NO
EXCUSES!**

SIGNALING

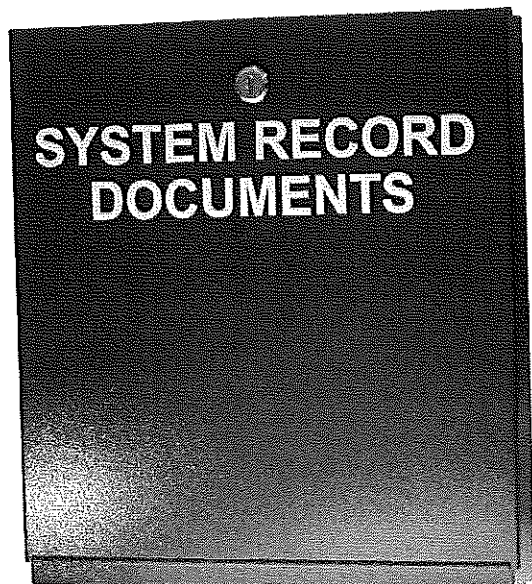


LISTED



SRD

ACE-11



SYSTEM RECORD DOCUMENTS

The SRD is the perfect item to help you meet demanding code requirements today. NFPA 72 2013 7.7.2.4 states that a cabinet must be "prominently labelled 'SYSTEM RECORD DOCUMENTS'."

The SRD is the perfect fit to meet today's demanding code requirements. SAE's number one goal is to manufacture code compliant solutions and this product allows you to do just that. NFPA 72 2013 7.7.2.1 states, "With every new system, a documentation cabinet shall be installed at the system control unit or other approved location at the protected premises."

This durable 16 gauge steel enclosure with a solid piano hinge and key lock will keep all of your code required documents in one safe place. With a 4GB USB flash drive it stores your fire alarm software safe and secure eliminating the occurrences of the software not being on site when technicians arrive to service the system. Along with your fire alarm software you can store your test & inspection, service records, manuals & system records. Using a standard USB B connector you may also store your records electronically (See NFPA 72 2013 7.5.6.7).

The SRD has designated hooks to organize key rings and hold important business cards for easy access and reference. Inside the cover it has an organized record for identifying equipment information, required documentation locations (See NFPA 72 2013 7.2.1).

Standard Features:

- Installed with a 4 GB digital flash drive with USB B connector
- 2 key ring hooks to hold system keys
- Business card holder for key contacts
- Overall dimensions are 12" x 13" tall and 2 1/4" deep
- 18 gauge steel box and cover for security
- Durable powder coat baked on finish other colors available
- Standard 3/4" cat 30 key lock. Other lock assemblies available
- Solid stainless steel piano hinge
- Permanently screened white ink 1" high "SYSTEM RECORD DOCUMENTS"
- Legend sheet for documentation, passwords and system information



**ISO 9001
REGISTERED
COMPANY**

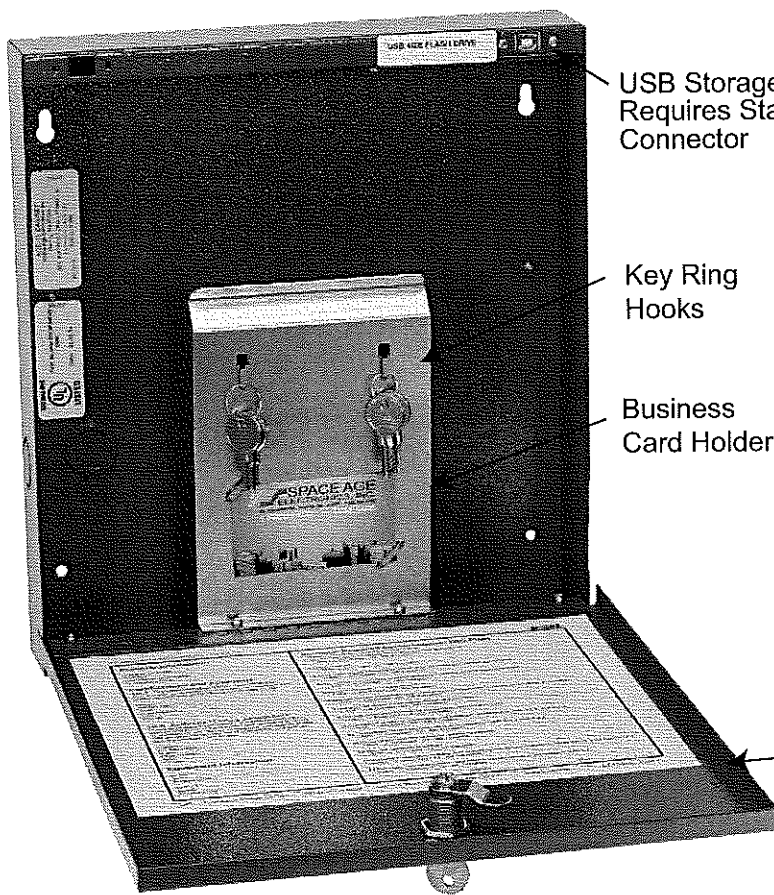
ADROX

Space Age Electronics, Inc.
www.1sae.com
800.486.1723 Toll Free
508.485.0966 Local
508.485.4740 Fax



Specifications:

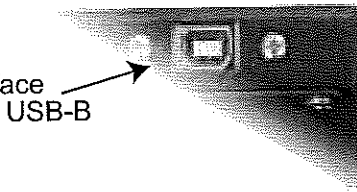
The system record documents box (SRD) shall be UL Listed, constructed of 18 gauge cold rolled steel. It shall have a red powder coat epoxy finish. The cover shall be permanently screened with 1" high lettering "SYSTEM RECORD DOCUMENTS" with white indelible ink. The access door shall be locked with a 3/4" barrel lock and the hinge shall be a solid width 12" stainless steel piano hinge. The enclosure will supply 4 mounting holes. Inside the enclosure will accommodate standard 8 1/2 x 11 manuals and loose document records that will be protected within the enclosure. A legend sheet will be permanently attached to the door for system required documentation, key contacts and system information. The SRD will have securely mounted inside a minimum of 4 Gigabyte digital flash memory drive with a standard USB B connector for uploading and downloading information. The drive shall not be accessible without tools to any person whom gains access to the records. The enclosure shall also provide 2 key ring holders with a location to mount standard business type cards for key contact personnel.



USB Storage Interface
Requires Standard USB-B
Connector

Key Ring
Hooks

Business
Card Holder



For replacement forms order PHL EA0315 (Qty: 10) A-000

Property Information Name of property _____ Address _____ Description of property _____ Occupancy type _____ Certifications and Approvals 16.1 System Installation Contractor: This system, as specified herein, has been installed and tested according to all NFPA standards cited herein. Signed _____ Printed name _____ Date _____ Organization _____ Title _____ Phone _____ 16.5 Authority Having Jurisdiction: I have witnessed a satisfactory acceptance test of this system and find it to be installed and operating properly in accordance with the approved plans and specifications, with the approved sequence of operations, and with all NFPA standards cited herein. Signed _____ Printed name _____ Date _____ Organization _____ Title _____ Phone _____ Equipment Information ID No 1 _____ Serial _____ Access code _____ ID No 2 _____ Serial _____ Access code _____	Minimum Required Documentation (SIG-FUN) (reference NFPA 72 2013 Section 7.2.1) 1. Written narrative providing date and system description <input type="checkbox"/> N/A <input type="checkbox"/> Enclosed <input type="checkbox"/> At Location 2. Risk diagram <input type="checkbox"/> N/A <input type="checkbox"/> Enclosed <input type="checkbox"/> At Location 3. Floor plan layout showing location of all devices and control equipment <input type="checkbox"/> N/A <input type="checkbox"/> Enclosed <input type="checkbox"/> At Location 4. Sequence of operation in either an input/output matrix or narrative form <input type="checkbox"/> N/A <input type="checkbox"/> Enclosed <input type="checkbox"/> At Location 5. Equipment technical data sheets <input type="checkbox"/> N/A <input type="checkbox"/> Enclosed <input type="checkbox"/> At Location 6. Manufacturers published instructions, including operation and maintenance instructions <input type="checkbox"/> N/A <input type="checkbox"/> Enclosed <input type="checkbox"/> At Location 7. Battery calculations (where batteries are provided) <input type="checkbox"/> N/A <input type="checkbox"/> Enclosed <input type="checkbox"/> At Location 8. Voltage drop calculations for notification appliance circuits <input type="checkbox"/> N/A <input type="checkbox"/> Enclosed <input type="checkbox"/> At Location 9. Completed record of inspection and testing in accordance with 7.5.8 and 7.5.2 <input type="checkbox"/> N/A <input type="checkbox"/> Enclosed <input type="checkbox"/> At Location 10. Completed record of operation in accordance with 7.5.8 and 7.5.2 <input type="checkbox"/> N/A <input type="checkbox"/> Enclosed <input type="checkbox"/> At Location 11. Copy of site specific software, where applicable <input type="checkbox"/> N/A <input type="checkbox"/> Enclosed <input type="checkbox"/> At Location 12. Record (as-built) drawings <input type="checkbox"/> N/A <input type="checkbox"/> Enclosed <input type="checkbox"/> At Location 13. Periodic inspection, testing, and maintenance documentation in accordance with Section 7.8 <input type="checkbox"/> N/A <input type="checkbox"/> Enclosed <input type="checkbox"/> At Location 14. Records, record retention, and record maintenance in accordance with 7.7 <input type="checkbox"/> N/A <input type="checkbox"/> Enclosed <input type="checkbox"/> At Location Signed _____ Date _____
---	---

Space Age Electronics, Inc. 58 Clocksford Road Sterling, MA 01954 800-486-1723 www.1sae.com LT10644 Rev. 1

Legend sheet for storing system information including contacts, sign-off, maintenance & test information, and alternate locations of additional records.

Ordering Information:

Part #	Description
SSU00689	System Record Documents Cabinet RED
SSU00690	Custom screening with your Logo
EA0315	10 pack door legend sheet

Space Age Electronics, Inc.
www.1sae.com
800.486.1723 Toll Free
508.485.0966 Local
508.485.4740 Fax

This document is subject to change without notice, see doc # ED0479 for legal disclaimer



Reviewed for Code Compliance
Permitting and Inspections
Department
Approved 02/20/2020



Indoor Selectable-Output Horns, Strobes, and Horn Strobes for Wall Applications

System Sensor L-Series audible visible notification products are rich with features guaranteed to cut installation times and maximize profits with lower current draw and modern aesthetics.



Features

- Updated Modern Aesthetics
- Small profile devices for Horns and Horn Strobes
- Plug-in design with minimal intrusion into the back box
- Tamper-resistant construction
- Automatic selection of 12- or 24-volt operation at 15 and 30 candela
- Field-selectable candela settings on wall units: 15, 30, 75, 95, 110, 135, and 185
- Horn rated at 88+ dBA at 16 volts
- Rotary switch for horn tone and two volume selections
- Mounting plate for all standard and all compact wall units
- Mounting plate shorting spring checks wiring continuity before device installation
- Electrically Compatible with legacy SpectrAlert and SpectAlert Advance devices
- Compatible with MDL3 sync module
- Listed for wall mounting only

The System Sensor L-Series offers the most versatile and easy-to-use line of horns, strobes, and horn strobes in the industry with lower current draws and modern aesthetics. With white and red plastic housings, standard and compact devices, and plain, FIRE, and FUEGO-printed devices, System Sensor L-Series can meet virtually any application requirement.

The L-Series line of wall-mount horns, strobes, and horn strobes include a variety of features that increase their application versatility while simplifying installation. All devices feature plug-in designs with minimal intrusion into the back box, making installations fast and foolproof while virtually eliminating costly and time-consuming ground faults.

To further simplify installation and protect devices from construction damage, the L-Series utilizes a universal mounting plate for all models with an onboard shorting spring, so installers can test wiring continuity before the device is installed.

Installers can also easily adapt devices to a suit a wide range of application requirements using field-selectable candela settings, automatic selection of 12- or 24-volt operation, and a rotary switch for horn tones with two volume selections.

Agency Listings



FM approved except
for ALERT models
3057383, 3057972



7125-1653:0504
7135-1653:0503



L-Series Specifications

Architect/Engineer Specifications

General

L-Series standard horns, strobes, and horn strobes shall mount to a standard 2 x 4 x 1 7/8-inch back box, 4 x 4 x 1 1/2-inch back box, 4-inch octagon back box, or double-gang back box. L-Series compact products shall mount to a single-gang 2 x 4 x 1 7/8-inch back box. A universal mounting plate shall be used for mounting ceiling and wall products for all standard models and a separate universal mounting plate shall be used for mounting wall compact models. The notification appliance circuit wiring shall terminate at the universal mounting plate. Also, L-Series products, when used with the Sync•Circuit™ Module accessory, shall be powered from a non-coded notification appliance circuit output and shall operate on a nominal 12 or 24 volts. When used with the Sync•Circuit Module, 12-volt-rated notification appliance circuit outputs shall operate between 8.5 and 17.5 volts; 24-volt-rated notification appliance circuit outputs shall operate between 16.5 and 33 volts. Indoor L-Series products shall operate between 32 and 120 degrees Fahrenheit from a regulated DC or full-wave rectified unfiltered power supply. Strobes and horn strobes shall have field-selectable candela settings including 15, 30, 75, 95, 110, 135, and 185.

Strobe

The strobe shall be a System Sensor L-Series Model _____ listed to UL 1971 and shall be approved for fire protective service. The strobe shall be wired as a primary-signaling notification appliance and comply with the Americans with Disabilities Act requirements for visible signaling appliances, flashing at 1 Hz over the strobe's entire operating voltage range. The strobe light shall consist of a xenon flash tube and associated lens/reflector system.

Horn Strobe Combination

The horn strobe shall be a System Sensor L-Series Model _____ listed to UL 1971 and UL 464 and shall be approved for fire protective service. The horn strobe shall be wired as a primary-signaling notification appliance and comply with the Americans with Disabilities Act requirements for visible signaling appliances, flashing at 1 Hz over the strobe's entire operating voltage range. The strobe light shall consist of a xenon flash tube and associated lens/reflector system. The horn shall have two audibility options and an option to switch between a temporal three pattern and a non-temporal (continuous) pattern. These options are set by a multiple position switch. The horn on horn strobe models shall operate on a coded or non-coded power supply.

Synchronization Module

The module shall be a System Sensor Sync•Circuit model MDL3 listed to UL 464 and shall be approved for fire protective service. The module shall synchronize Strobes at 1 Hz and horns at temporal three. Also, while operating the strobes, the module shall silence the horns on horn strobe models over a single pair of wires. The module shall mount to a 4 1/16 x 4 1/16 x 2 1/8-inch back box. The module shall also control two Style Y (class B) circuits or one Style Z (class A) circuit. The module shall synchronize multiple zones. Daisy chaining two or more synchronization modules together will synchronize all the zones they control. The module shall not operate on a coded power supply.

Physical/Electrical Specifications

Standard Operating Temperature	32°F to 120°F (0°C to 49°C)
Humidity Range	10 to 93% non-condensing
Strobe Flash Rate	1 flash per second
Nominal Voltage	Regulated 12 DC or regulated 24 DC/FWR ^{1,2}
Operating Voltage Range	8 to 17.5 V (12 V nominal) or 16 to 33 V (24 V nominal)
Operating Voltage Range MDL3 Sync Module	8.5 to 17.5 V (12 V nominal) or 16.5 to 33 V (24 V nominal)
Input Terminal Wire Gauge	12 to 18 AWG
Wall-Mount Dimensions (including lens)	5.6" L x 4.7" W x 1.91" D (143 mm L x 119 mm W x 49 mm D)
Compact Wall-Mount Dimensions (including lens)	5.26" L x 3.46" W x 1.91" D (133 mm L x 88 mm W x 49 mm D)
Horn Dimensions	5.6" L x 4.7" W x 1.25" D (143 mm L x 119 mm W x 32 mm D)
Compact Horn Dimensions	5.25" L x 3.45" W x 1.25" D (133mm L x 88mm W x 32mm D)

1. Full Wave Rectified (FWR) voltage is a non-regulated, time-varying power source that is used on some power supply and panel outputs.
2. Strobe products will operate at 12 V nominal only for 15 cd and 30 cd.



UL Current Draw Data

UL Max. Strobe Current Draw (mA RMS)				
Candela Range	Candela	8-17.5 Volts		16-33 Volts
		DC	DC	FWR
Candela Range	15	88	43	60
	30	143	63	83
	75	N/A	107	136
	95	N/A	121	155
	110	N/A	148	179
	135	N/A	172	209
	185	N/A	222	257

UL Max. Horn Current Draw (mA RMS)				
Sound Pattern	dB	8-17.5 Volts		
		DC	DC	FWR
Temporal	High	39	44	54
Temporal	Low	28	32	54
Non-Temporal	High	43	47	54
Non-Temporal	Low	29	32	54
3.1 KHz Temporal	High	39	41	54
3.1 KHz Temporal	Low	29	32	54
3.1 KHz Non-Temporal	High	42	43	54
3.1 KHz Non-Temporal	Low	28	29	54
Coded	High	43	47	54
3.1 KHz Coded	High	42	43	54

UL Max. Current Draw (mA RMS), Wall Horn Strobe, Candela Range (15-185 cd)									
DC Input	8-17.5 Volts			16-33 Volts					
	15cd	30cd	15cd	30cd	75cd	95cd	110cd	135cd	185cd
Temporal High	98	158	54	74	121	142	162	196	245
Temporal Low	93	154	44	65	111	133	157	184	235
Non-Temporal High	106	166	73	94	139	160	182	211	262
Non-Temporal Low	93	156	51	71	119	139	162	190	239
3.1K Temporal High	93	156	53	73	119	140	164	190	242
3.1K Temporal Low	91	154	45	66	112	133	160	185	235
3.1K Non-Temporal High	99	162	69	90	135	157	175	208	261
3.1K Non-Temporal Low	93	156	52	72	119	138	162	192	242
FWR Input	16-33 Volts								
	15cd	30cd	75cd	95cd	110cd	135cd	185cd		
Temporal High	83	107	156	177	198	234	287		
Temporal Low	68	91	145	165	185	223	271		
Non-Temporal High	111	135	185	207	230	264	316		
Non-Temporal Low	79	104	157	175	197	235	283		
3.1K Temporal High	81	105	155	177	196	234	284		
3.1K Temporal Low	68	90	145	166	186	222	276		
3.1K Non-Temporal High	104	131	177	204	230	264	326		
3.1K Non-Temporal Low	77	102	156	177	199	234	291		

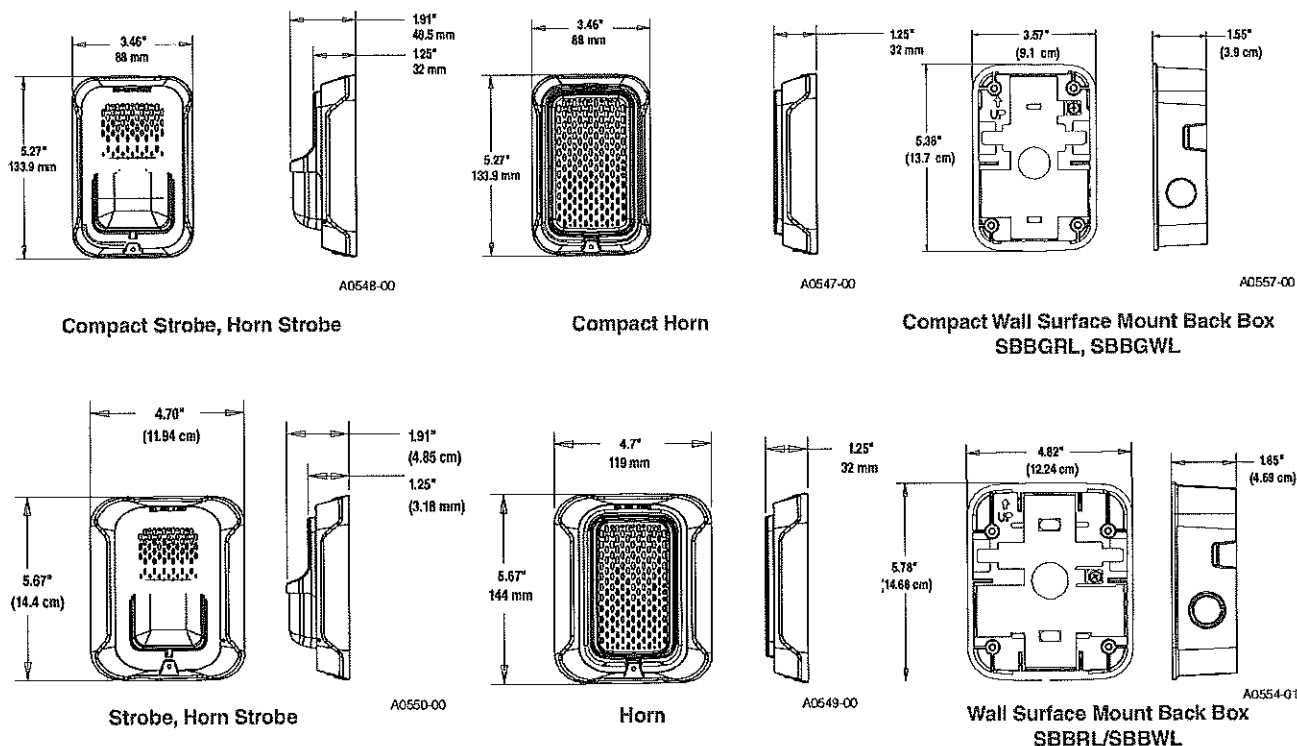
Horn Tones and Sound Output Data

Horn and Horn Strobe Output (dBA)					
Switch Position	Sound Pattern	dB	8-17.5	16-33	FWR
			Volts	Volts	
1	Temporal	High	84	89	89
2	Temporal	Low	75	83	83
3	Non-Temporal	High	85	90	90
4	Non-Temporal	Low	76	84	84
5	3.1 KHz Temporal	High	83	88	88
6	3.1 KHz Temporal	Low	76	82	82
7	3.1 KHz Non-Temporal	High	84	89	89
8	3.1 KHz Non-Temporal	Low	77	83	83
9*	Coded	High	85	90	90
10*	3.1 KHz Coded	High	84	89	89

* Settings 9 and 10 are not available on 2-wire horn strobes. Temporal coding must be provided by the NAC. If the NAC voltage is held constant, the horn output remains constantly on.



L-Series Dimensions



L-Series Ordering Information

Model	Description
Wall Horn Strobes	
P2RL	2-Wire, Horn Strobe, Red
P2WL	2-Wire, Horn Strobe, White
P2GRL	2-Wire, Compact Horn Strobe, Red
P2GWL	2-Wire, Compact Horn Strobe, White
P2RL-P	2-Wire, Horn Strobe, Red, Plain
P2WL-P	2-Wire, Horn Strobe, White, Plain
P2RL-SP	2-Wire, Horn Strobe, Red, FUEGO
P2WL-SP	2-Wire, Horn Strobe, White, FUEGO
P4RL	4-Wire, Horn Strobe, Red
P4RW	4-Wire, Horn Strobe, White
Wall Strobes	
SRL	Strobe, Red
SWL	Strobe, White
SGRL	Compact Strobe, Red
SGWL	Compact Strobe, White
SRL-P	Strobe, Red, Plain
SWL-P	Strobe, White, Plain
SRL-SP	Strobe, Red, FUEGO
SWL-CLR-ALERT	Strobe, White, ALERT

Model	Description
Horns	
HRL	Horn, Red
HWL	Horn, White
HGRL	Compact Horn, Red
HGWL	Compact Horn, White
Accessories	
TR-2	Universal Wall Trim Ring Red
TR-2W	Universal Wall Trim Ring White
SBBRL	Wall Surface Mount Back Box, Red
SBBWL	Wall Surface Mount Back Box, White
SBBGRL	Compact Wall Surface Mount Back Box, Red
SBBGWL	Compact Wall Surface Mount Back Box, White

Notes:

All -P models have a plain housing (no "FIRE" marking on cover)
 All -SP models have "FUEGO" marking on cover
 All -ALERT models have "ALERT" marking on cover



3825 Ohio Avenue • St. Charles, IL 60174
 Phone: 800-SENSOR2 • Fax: 630-377-6495
 www.systemsensor.com

©2017 System Sensor.
 Product specifications subject to change without notice. Visit systemsensor.com
 for current product information, including the latest version of this data sheet.
 AVDS865-04 • 11/17/2017