

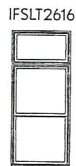
DOUBLE HUNG Transoms and Multiple Assemblies

INTEGRITY® FROM MARVIN®
ALL ULTREX® SERIES

In-Sash Transom Mullered Over Double Hung – Operator Unit

M.O. (mm)	2' - 6" (762)
R.O. (mm)	2' - 6" (762)
F.S. (mm)	2' - 5 1/2" (749)
DLO (mm)	24 9/16" (624)

1' - 5 3/4" (451)
1' - 6" (457)
1' - 5 1/2" (445)
12 9/16" (319)



IFSLT2616

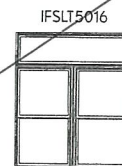
4' - 5 3/4" (1365)
4' - 6" (1372)
4' - 5 1/2" (1359)
48 9/16" (1233)

IFDH2646

In-Sash Transom Mullered Over Double Hung – 2 wide Operator Unit

MO (mm)	5' - 0" (1524)	2' - 6" (762)
RO (mm)	5' - 0" (1524)	2' - 6" (762)
FS (mm)	4' - 11 1/2" (1511)	2' - 5 1/2" (749)

1' - 5 3/4" (451)
1' - 6" (457)
1' - 5 1/2" (445)



IFSLT5016

4' - 5 3/4" (1365)
4' - 6" (1372)
4' - 5 1/2" (1359)

IFDH2646 / IFDH2646

Double Hung Flankers with Picture Center Unit*

M.O. (mm)	2' - 6" (762)	5' - 0" (1524)	2' - 6" (762)
R.O. (mm)	2' - 6" (762)	5' - 0" (1524)	2' - 6" (762)
F.S. (mm)	2' - 5 1/2" (749)	4' - 11 1/2" (1511)	2' - 5 1/2" (749)

4' - 5 3/4" (1365)
4' - 6" (1372)
4' - 5 1/2" (1359)

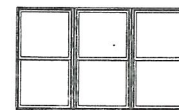


IFDH2646 / IFSLP5046 / IFDH2646

Double Hung Flankers with Operator Center Unit

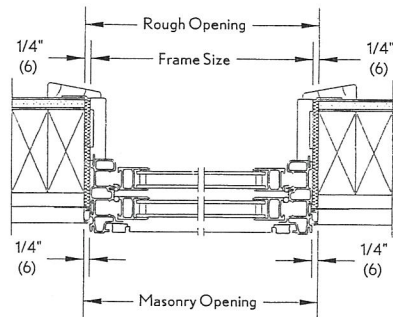
M.O. (mm)	2' - 6" (762)	2' - 6" (762)	2' - 6" (762)
R.O. (mm)	2' - 6" (762)	2' - 6" (762)	2' - 6" (762)
F.S. (mm)	2' - 5 1/2" (749)	2' - 5 1/2" (749)	2' - 5 1/2" (749)

4' - 5 3/4" (1365)
4' - 6" (1372)
4' - 5 1/2" (1359)

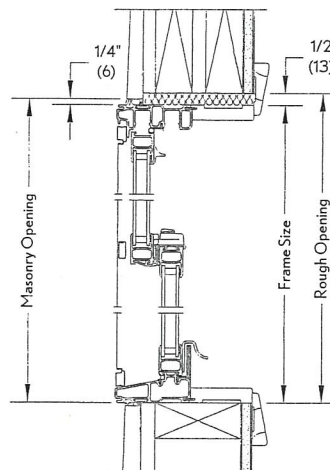


IFDH2646 / IFDH2646 / IFDH2646

Construction Details



Jamb



Head Jamb & Sill



Vertical Mullion



Horizontal Mullion
Transom/Operator

*This product is only available field mullered.

Details and Elevations not to scale.

Available in equal, cottage and reverse cottage sash configurations. Cottage and reverse cottage sash configurations are not available on 20, 60 and 66 call number heights.

Obscure Glass option available on all units.

Units may optionally include a window opening control device tested to ASTM F2090-10, which can be released from the inside without the use of a key, tool, special knowledge, or force greater than that required for normal unit operation.

Special sized units available within product size matrix. See your Integrity retailer.

See page 87 for specific PG Ratings.

Multiple Assemblies

Multiple assemblies can be factory mullered.

MAXIMUM ROUGH OPENING not to exceed 114" X 78". Maximum up to 6 units wide by 1 unit high.

MAXIMUM ROUGH OPENING not to exceed 96" X 96". Maximum up to 5 units wide by 5 units high.

Field mull kits are available. Structural mullion reinforcement is required for some assemblies.

Please consult your local Integrity from Marvin® representative for more information.