

# CASEMENT Multiple Assemblies

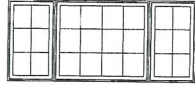
## Casement Flankers with Picture Center Unit

<b>MO (mm)</b>	2'-0" (610)	4'-0" (1219)	2'-0" (610)
<b>RO (mm)</b>	2'-0" (610)	4'-0" (1219)	2'-0" (610)
<b>FS (mm)</b>	1'-11 1/2" (597)	3'-11 1/2" (1207)	1'-11 1/2" (597)
<b>DLO (mm)</b>	17 53/64" (453)	41 53/64" (1062)	17 53/64" (453)

## Casement Flankers with Picture Center Unit

<b>MO (mm)</b>	2'-0" (610)	5'-0" (1524)	2'-0" (610)
<b>RO (mm)</b>	2'-0" (610)	5'-0" (1524)	2'-0" (610)
<b>FS (mm)</b>	1'-11 1/2" (597)	4'-11 1/2" (1511)	1'-11 1/2" (597)
<b>DLO (mm)</b>	17 53/64" (453)	41 53/64" (1062)	17 53/64" (453)

3'-5 3/4" (1060)  
3'-6" (1067)  
3'-5 1/2" (1054)  
35 53/64" (910)



IFCA2036 / IFSWP4036 / IFCA2036

3'-11 3/4" (1213)  
4'-0" (1219)  
3'-11 1/2" (1207)  
41 53/64" (1062)



IFCA2040 / IFSWP4040 / IFCA2040

4'-5 3/4" (1365)  
4'-6" (1372)  
4'-5 1/2" (1359)  
47 53/64" (1215)



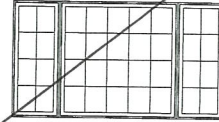
IFCA2046 / IFSWP4046 / IFCA2046

4'-11 3/4" (1518)  
5'-0" (1524)  
4'-11 1/2" (1511)  
53 53/64" (1367)



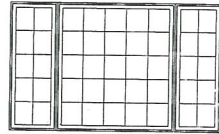
IFCA2050 / IFSWP4050 / IFCA2050

4'-11 3/4" (1518)  
5'-0" (1524)  
4'-11 1/2" (1511)  
54 15/16" (1395)



IFCA2050 / IFSWP5050 / IFCA2050

5'-5 3/4" (1670)  
5'-6" (1676)  
5'-5 1/2" (1664)  
60 15/16" (1548)



IFCA2056 / IFSWP5056 / IFCA2056

Details and Elevations not to scale.

Special sized units available within product size ma  
See your Integrity® retailer.

Obscure Glass option available on all units.

GBG available in standard Rectangular lite cut, sho  
above. Other GBG lite cuts shown on page 35.

See page 87 for specific PG Ratings.

### Multiple Assemblies

Multiple assemblies can be factory mullled.

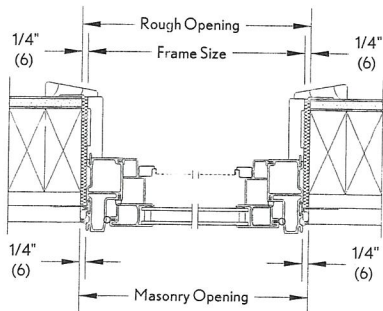
**MAXIMUM ROUGH OPENING** not to exceed  
114" X 78". Maximum up to 6 units wide by 1 unit high

**MAXIMUM ROUGH OPENING** not to exceed  
96" X 96". Maximum up to 5 units wide by 5 units hig

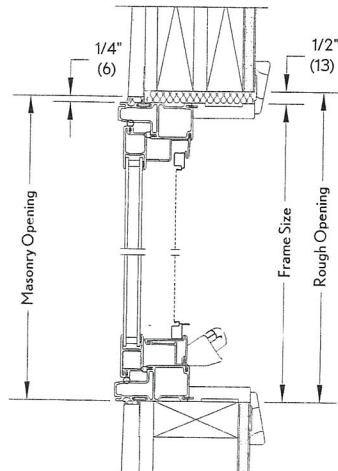
Field mull kits are available. Structural mullion  
reinforcement is required for some assemblies.

Please consult your local Integrity from  
Marvin® representative for more information.

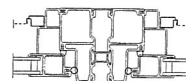
## Construction Details



Jamb



Head Jamb & Sill



Vertical Mullion



Horizontal Mullion  
Transom/Operator