

Figure 8. Post-to-Beam Attachment Requirements

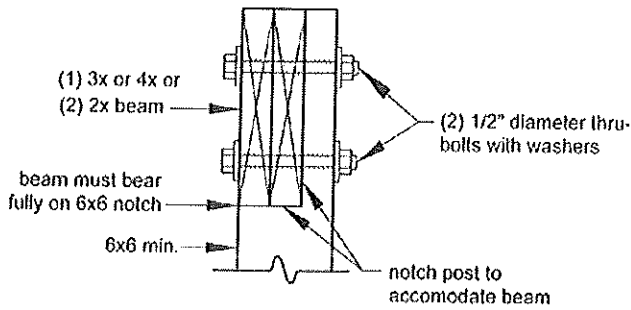
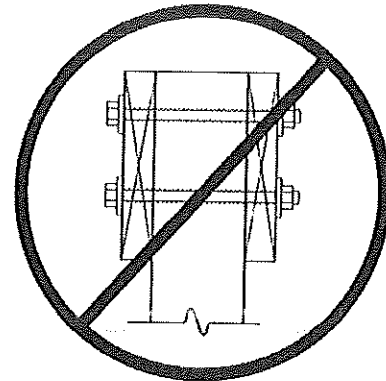


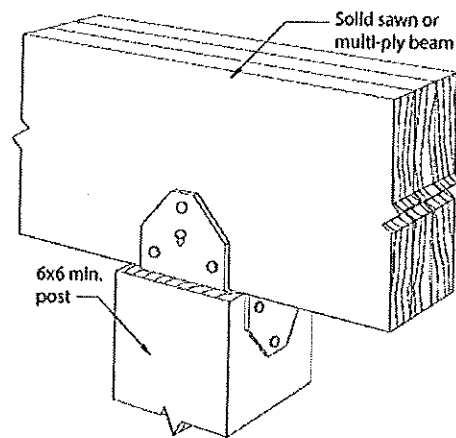
Figure 9. Prohibited Post-to-Beam Attachment Condition



**RIM JOIST REQUIREMENTS**

Attach a continuous rim joist to the ends of joists as shown in Figure 11. Attach decking to the rim joist as shown in Figure 11. For more decking attachment requirements, see DECKING REQUIREMENTS.

Figure 10. Alternate Approved Post-to-Beam Post Cap Attachment



*Use attachment detail 10*

Figure 11. Rim Joist Connection Details

