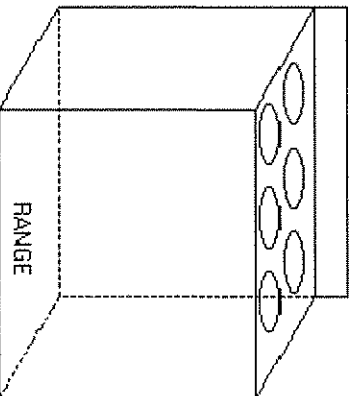
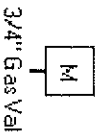
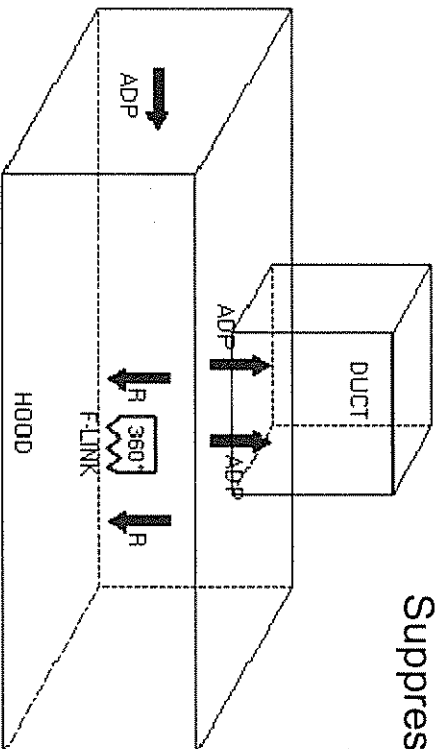
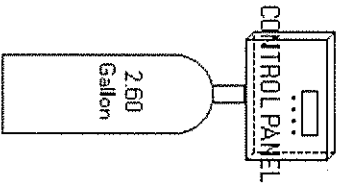


Range Guard Wet  
 Chemical Systems  
 Pre-Engineered Fire  
 Suppression System



Total System Flow Points = 5



Designed & Installed by:  
 Firesafe Equipment  
 Po Box 1355  
 Auburn, ME 04211  
 207-784-7525

FOR:  
 PHAROS HOUSE

Lic #:

Designer:

Job #:

Date: 2/23/2017

Stamp