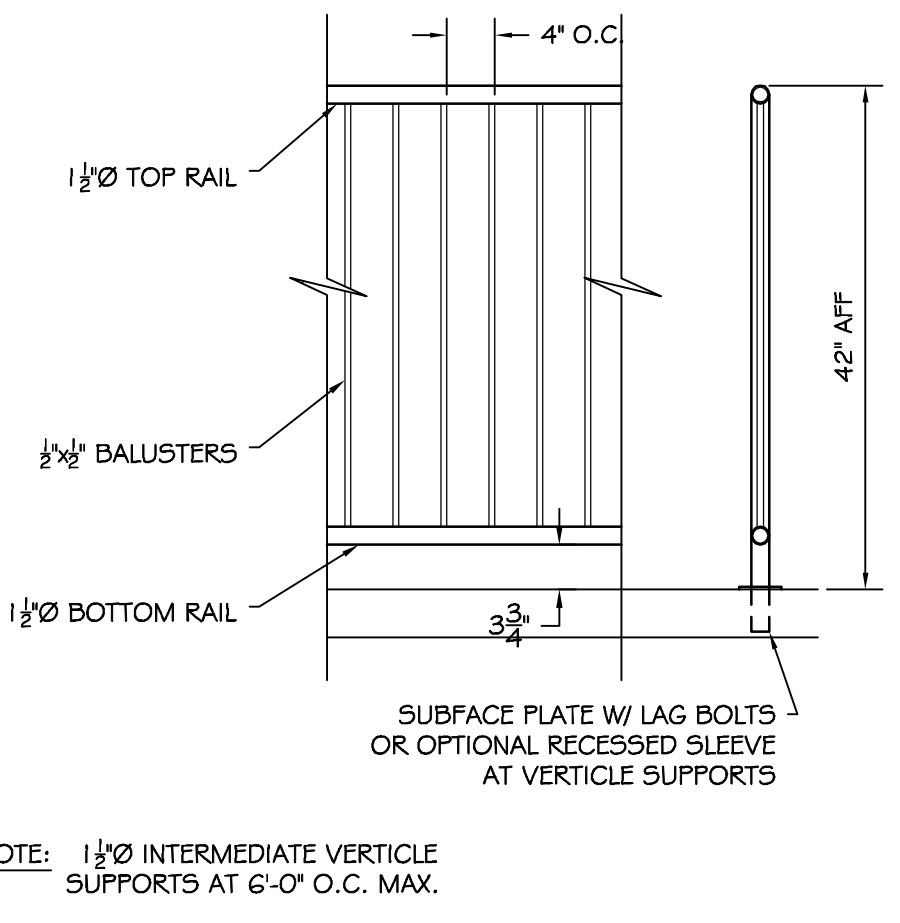
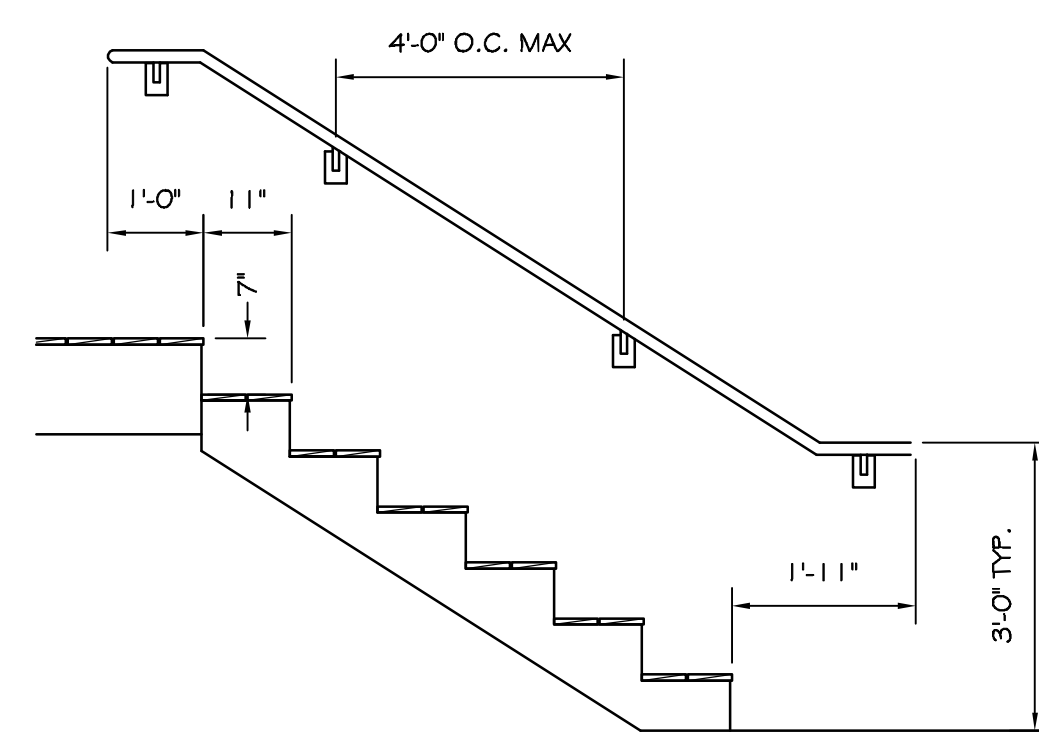


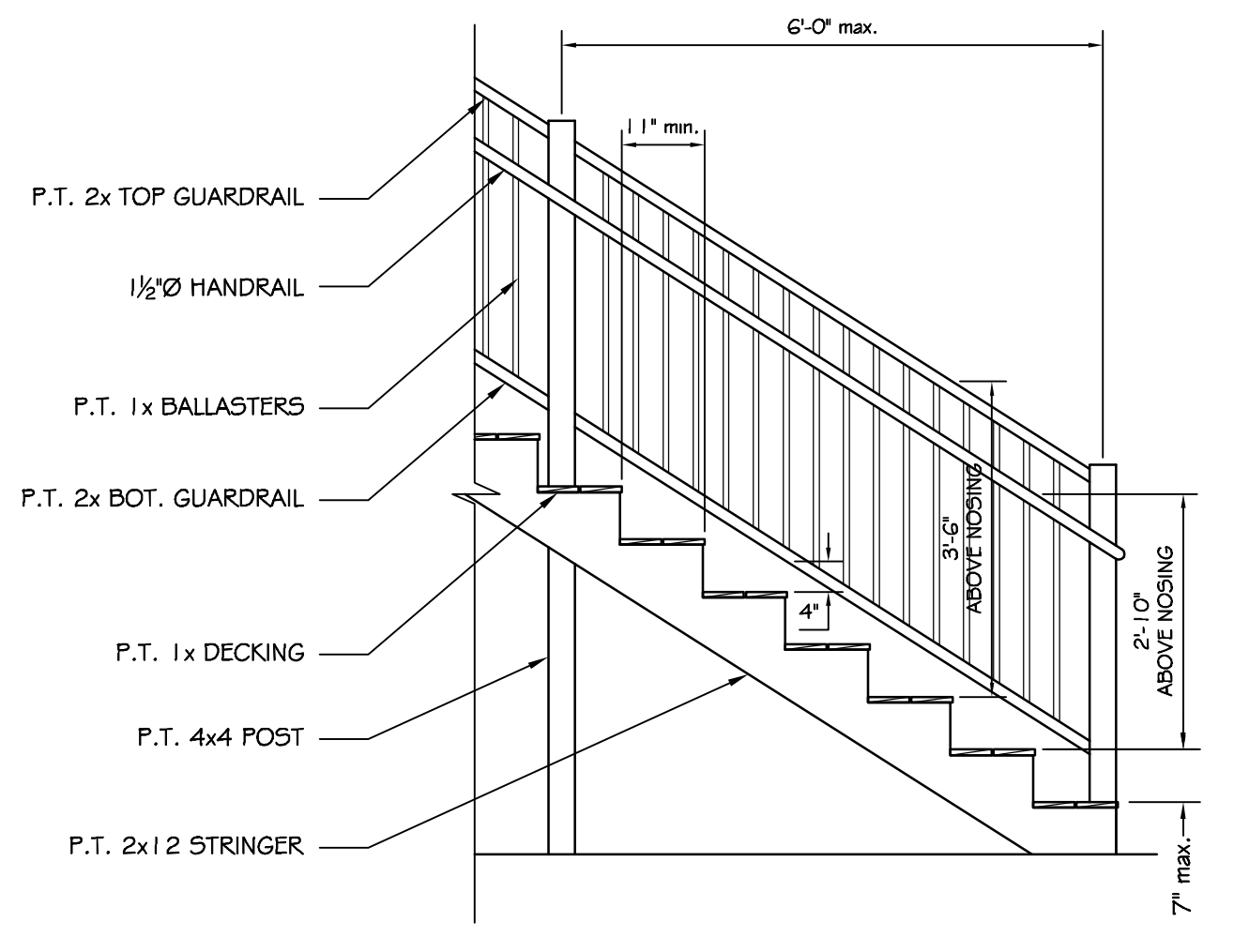
C4 TYPICAL GUARDRAIL / HANDRAIL
SCALE: NO SCALE



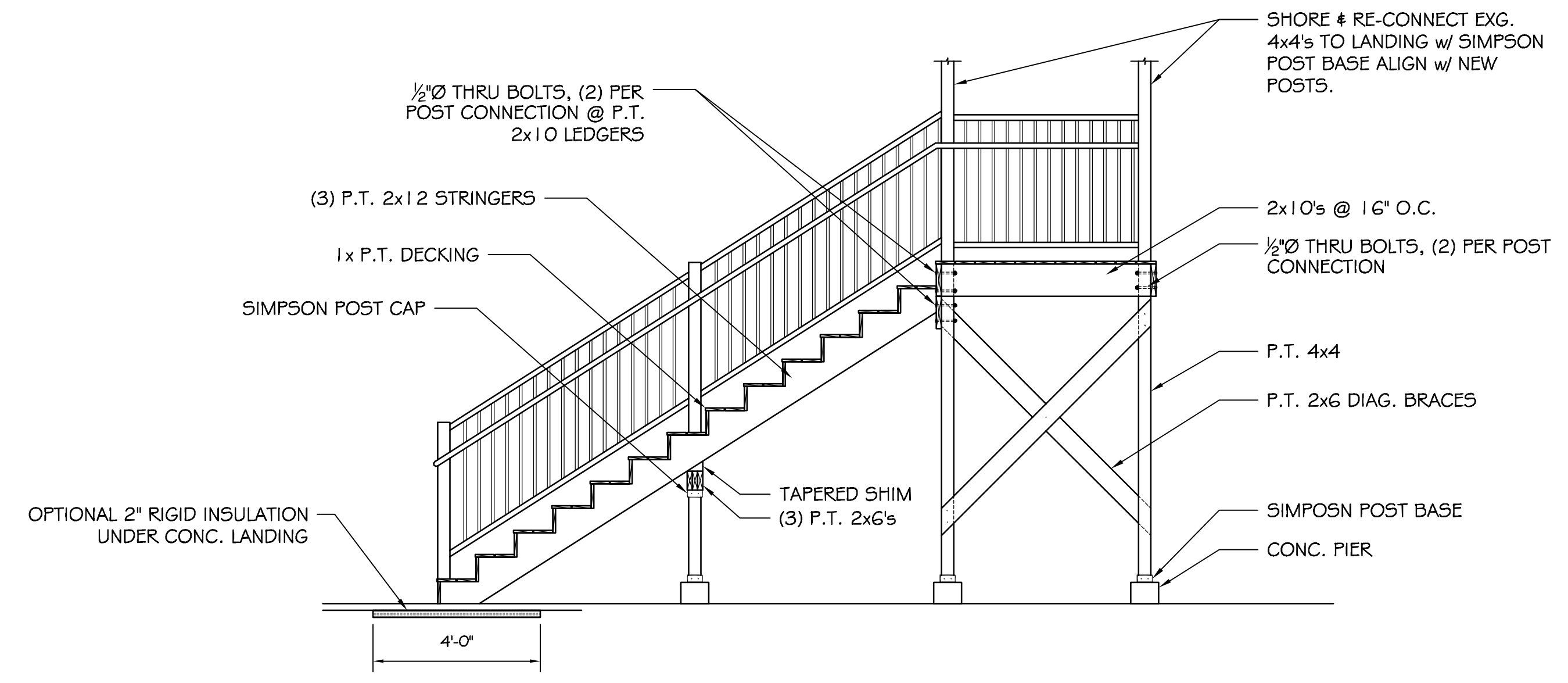
C3 TYPICAL GUARDRAIL
SCALE: NO SCALE



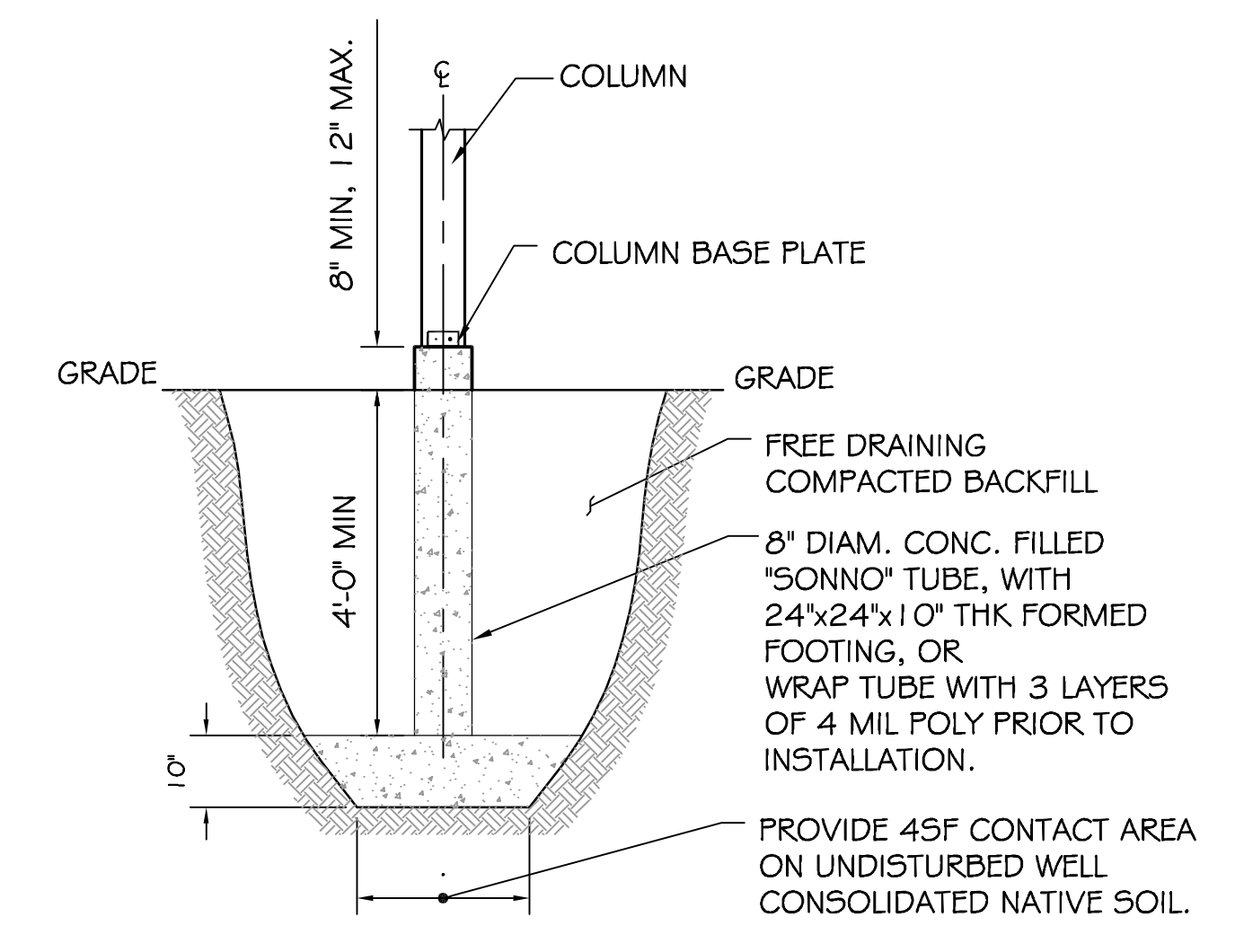
C2 TYP STAIR WITH WALL MOUNTED HANDRAIL
SCALE: NO SCALE



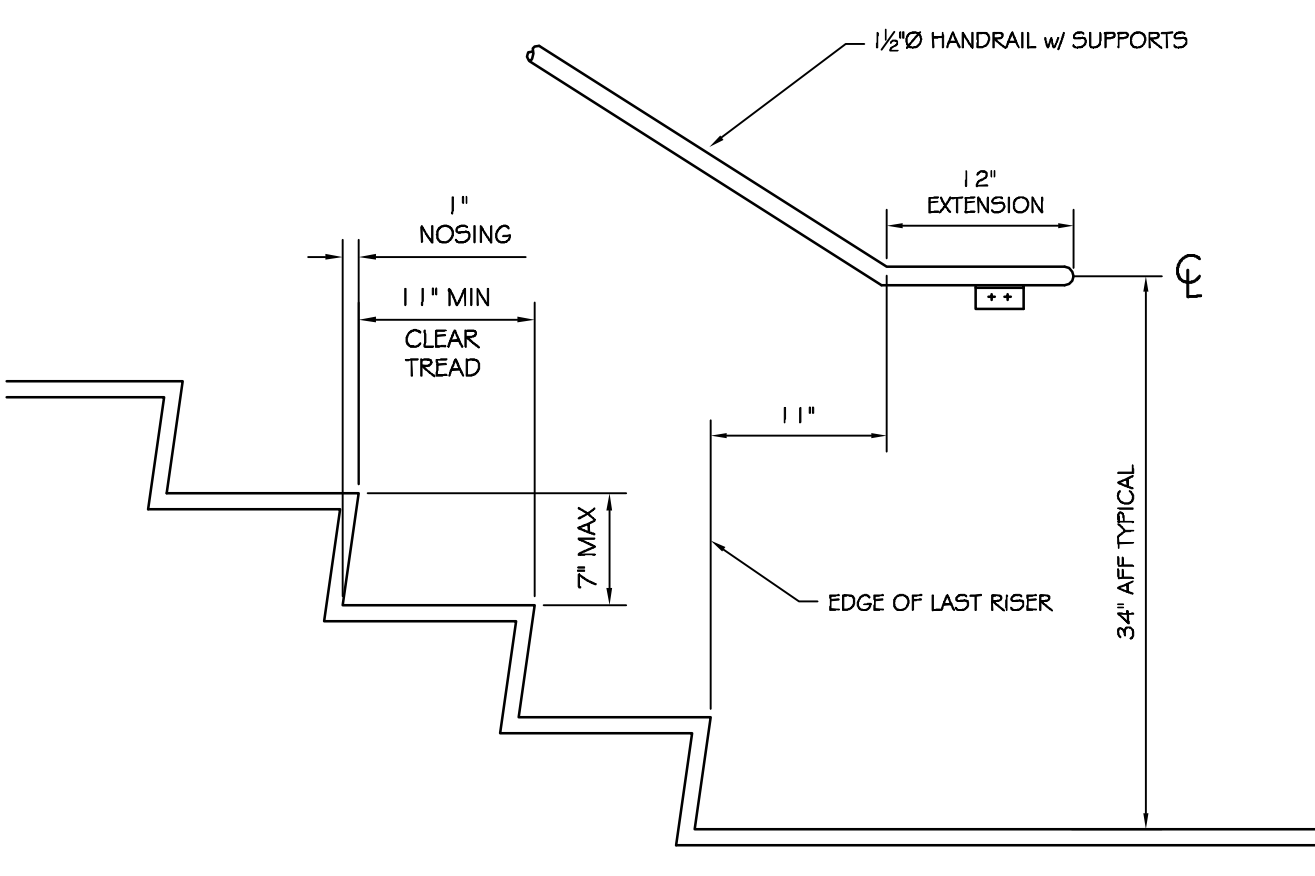
C1 TYPICAL BOTTOM OF STAIR DETAIL
SCALE: NO SCALE



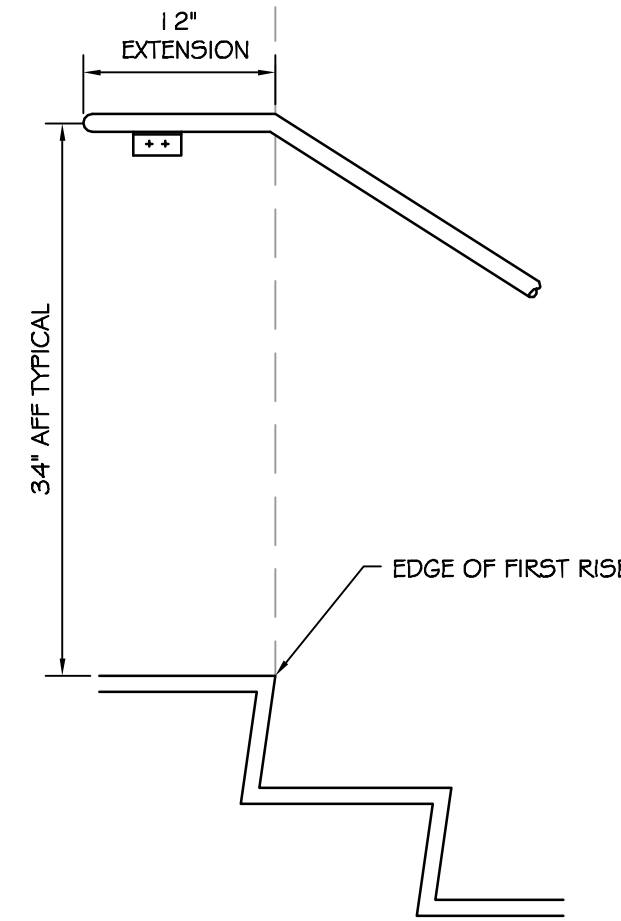
B2 TYP WALL MOUNTED HANDRAIL EXTENSION AT BOTTOM
SCALE: NO SCALE



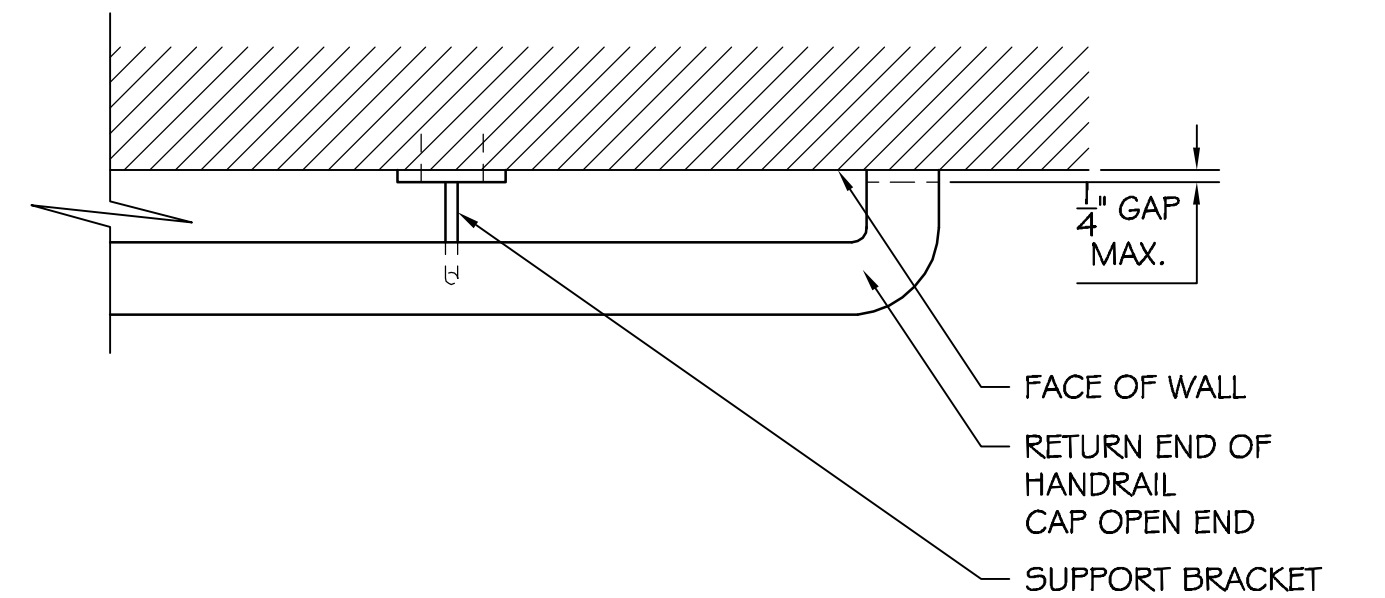
B1 TYPICAL CONCRETE PIER AT COLUMN
SCALE: NO SCALE



A3 TYP HANDRAIL EXTENSION AT BOTTOM
SCALE: NO SCALE



A2 TYP HANDRAIL EXTENSION AT TOP
SCALE: NO SCALE



A1 WALL MOUNTED HANDRAIL RETURN
SCALE: NO SCALE

ASSOCIATED DESIGN PARTNERS INC.
Office: (207) 878-1751
80 Leighton Road, Falmouth, Maine 04105
Fax: (207) 878-1788
E-Mail: adp@adpengineering.com

THIS DRAWING, DESIGN AND ELECTRONIC FILE ARE THE PROPERTY OF ASSOCIATED DESIGN PARTNERS, INC. THE REPRODUCTION, COPYING OR ANY OTHER USE OF THIS DOCUMENT WITHOUT WRITTEN CONSENT IS PROHIBITED.

PROJECT: **22 PARK ST. PORTLAND, MAINE**
FOR:
SHEET TITLE: **TYP. STAIR DETAILS ISSUED FOR PERMITTING**

NO.	BY	DATE	DESCRIPTION
1	JAT	2-9-09	REVISED FROM WALK THRU ON 2-6-09
2	JAT	3-23-09	ISSUED FOR PERMITTING

DATE: 2-6-09
SCALE: AS NOTED
DESIGN BY: JAT
DRAWN BY: RSC
FILE #: 08275-AS01.DWG
PROJECT NUMBER:
08275
SHEET NO:
A501