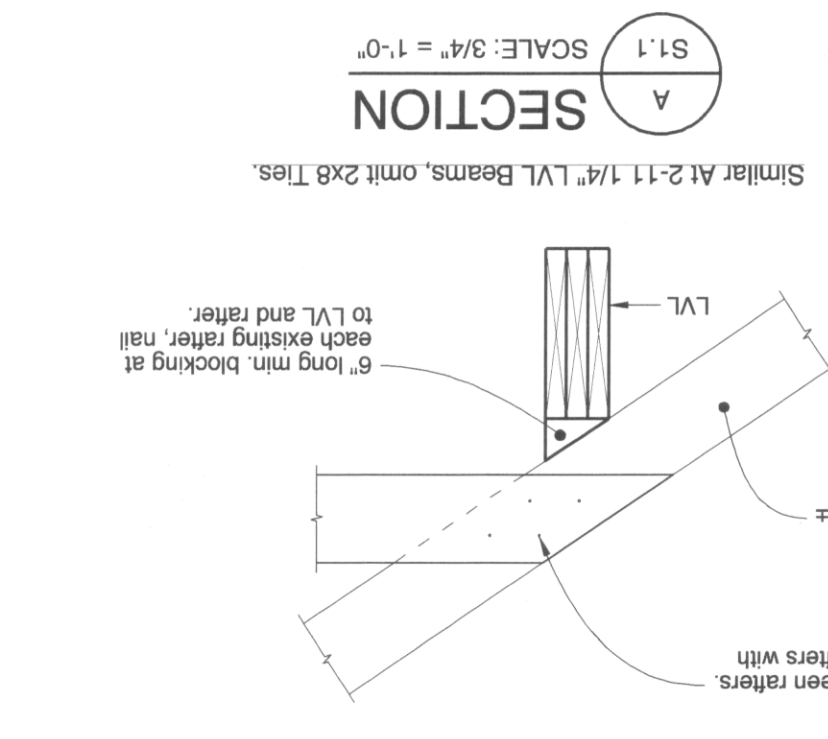


Roof Framing Plan
Scale: 1/4" = 1'-0"

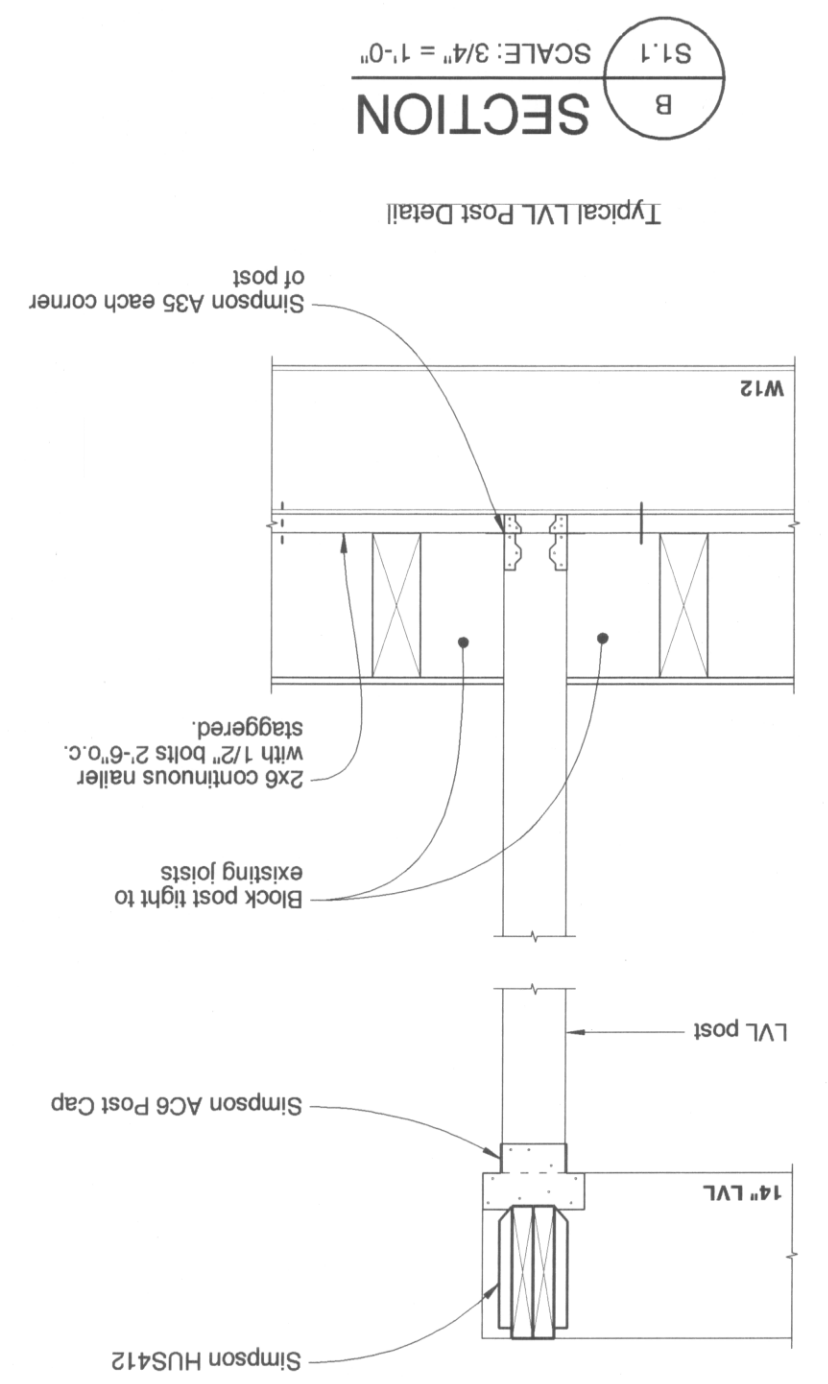
Second Floor Framing Plan
Scale: 1/4" = 1'-0"

NOTE: 1. REPLACE OR SISTER EXISTING HOTTE JOISTS



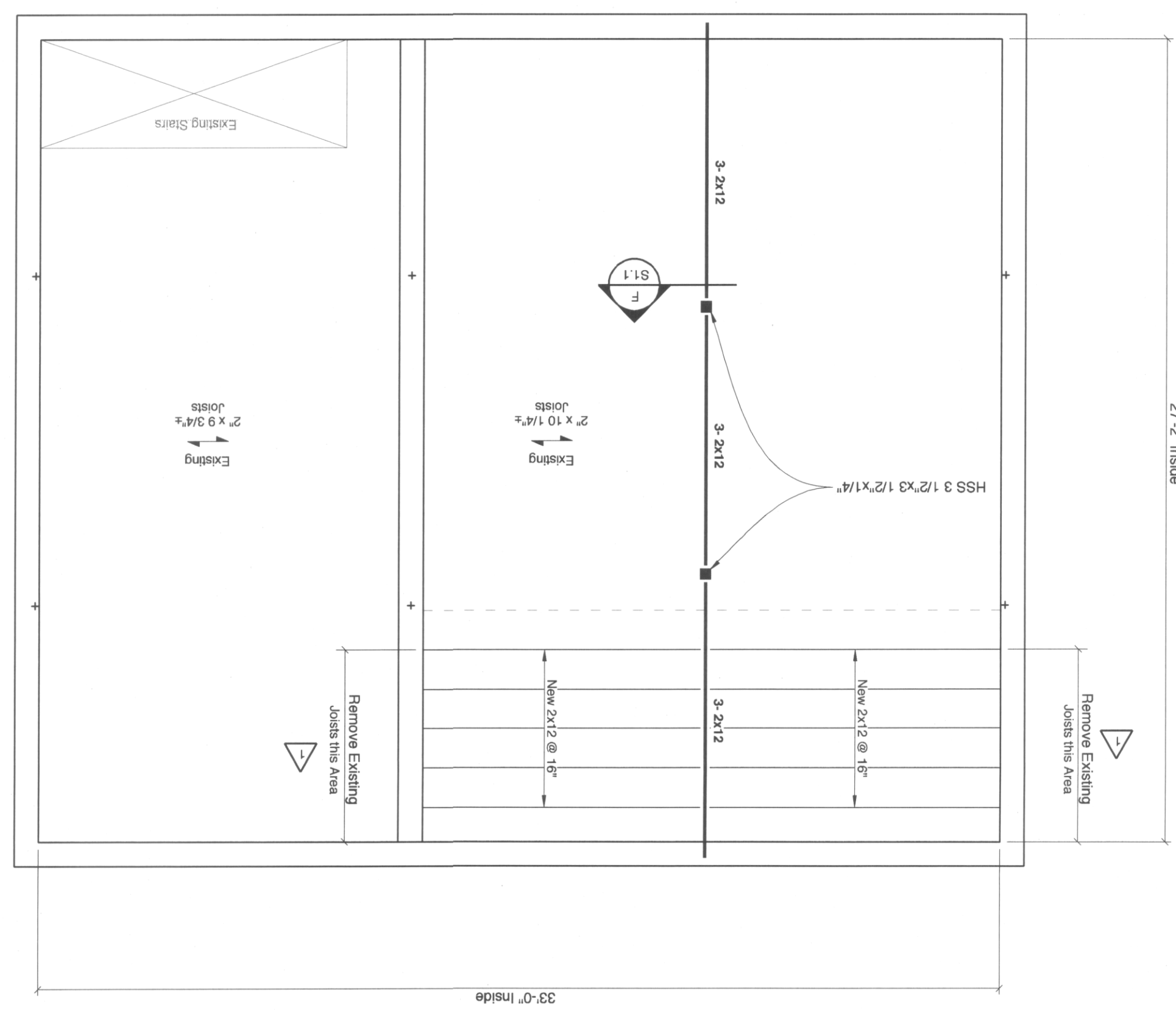
SECTION A
SCALE: 3/4" = 1'-0"

Similar At 2'-11 1/4" LVL Beams, omit 2x8 Ties.



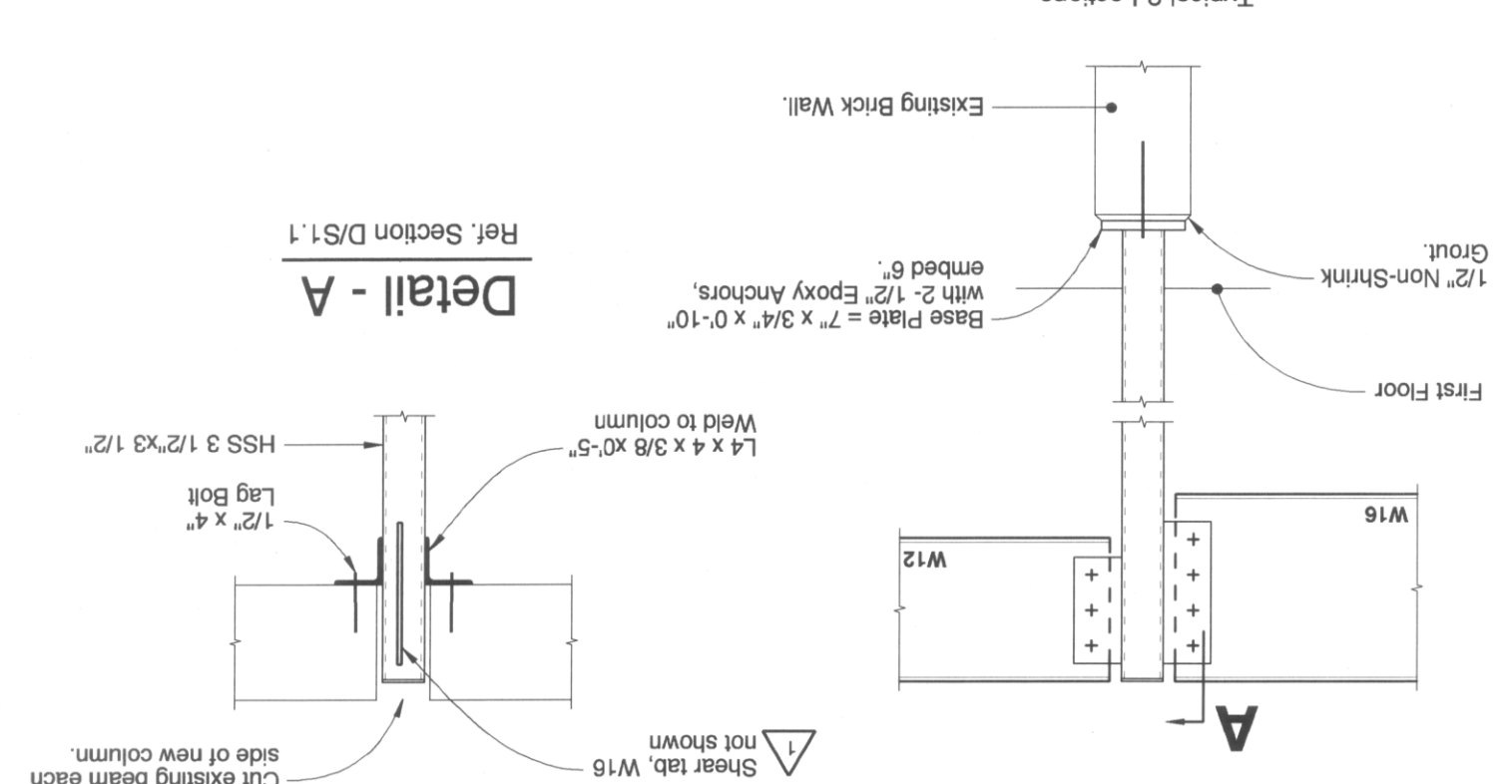
SECTION B
SCALE: 3/4" = 1'-0"

SECTION C
SCALE: 3/4" = 1'-0"



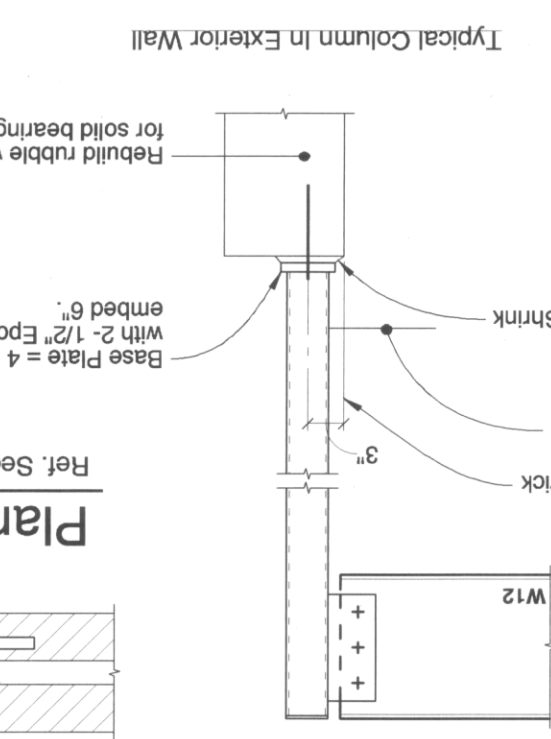
First Floor Framing Plan
Scale: 1/4" = 1'-0"

NOTE:
1. REMOVE EXISTING WOOD BEAMS AND POSTS.
2. REMOVE EXISTING CONCRETE SLAB OVER WOOD FRAMING.
3. PROVIDE JOIST HANGERS ON SPLIT ENDS OF JOISTS AT OUTSIDE WALLS.

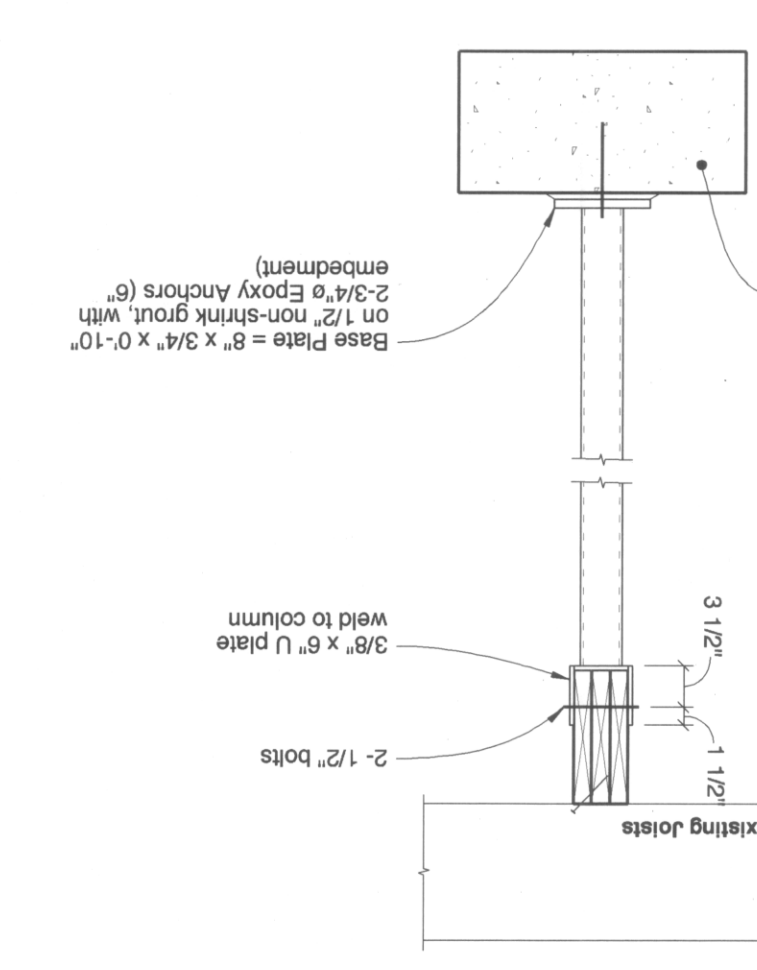


Detail - A
Ref: Section D/S1.1

SECTION D
SCALE: 3/4" = 1'-0"



SECTION E
SCALE: 3/4" = 1'-0"



SECTION F
SCALE: 3/4" = 1'-0"

S1.1

Project No.:
Date: Nov. 20, 2000
Revisions:
Revised - 3/8/01

Title:
Framing Plans & Details

Nancy English Barn Stabilization

