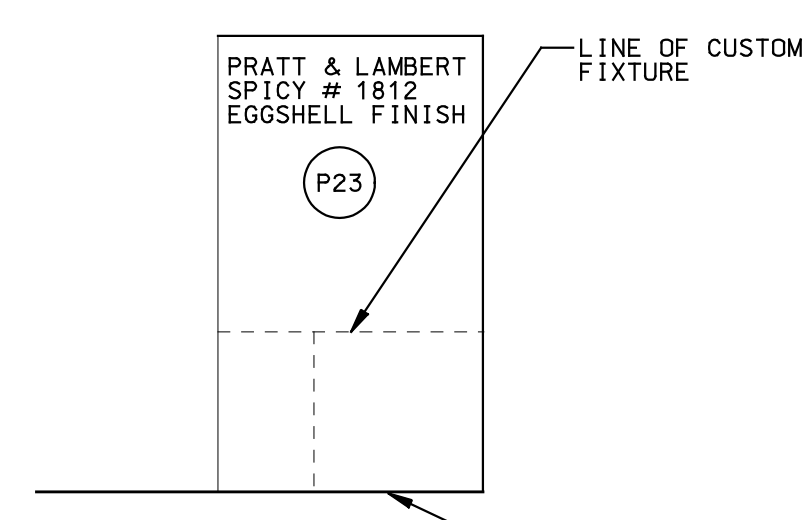
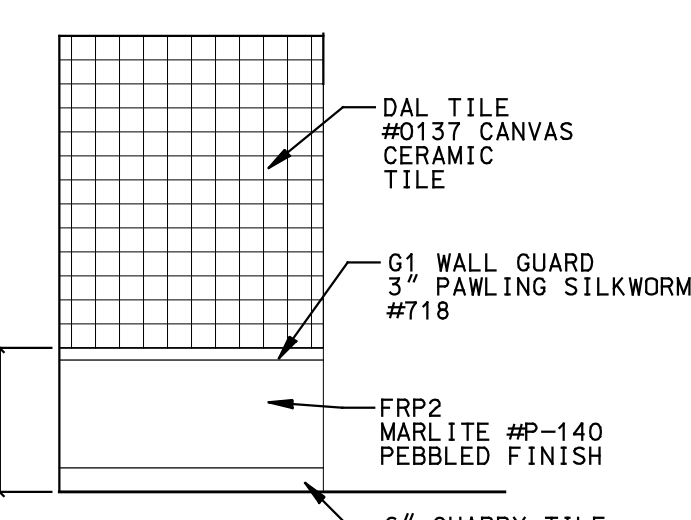


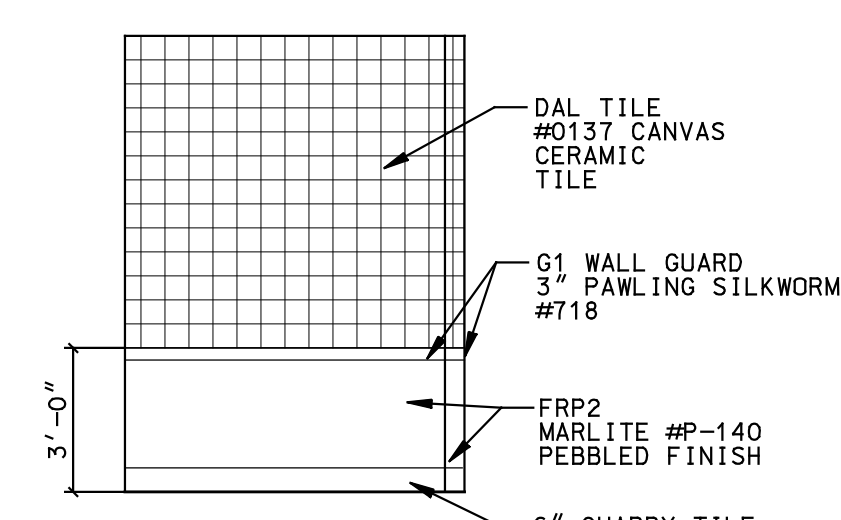
A CAFE/PREP AREA  
1/4" = 1'-0"



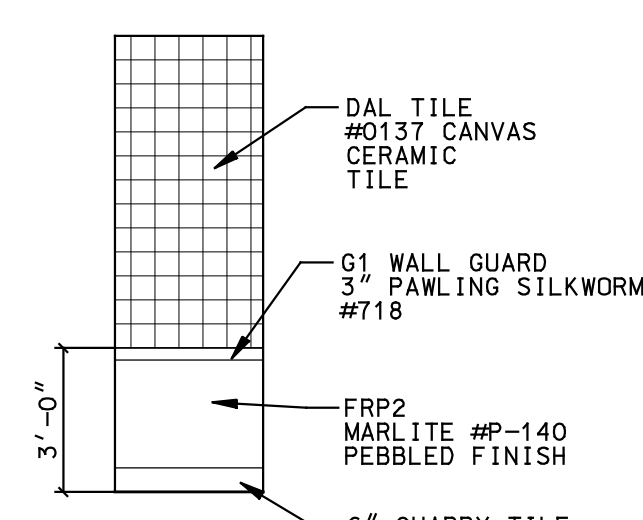
D BAKERY/CAFE  
1/4" = 1'-0"



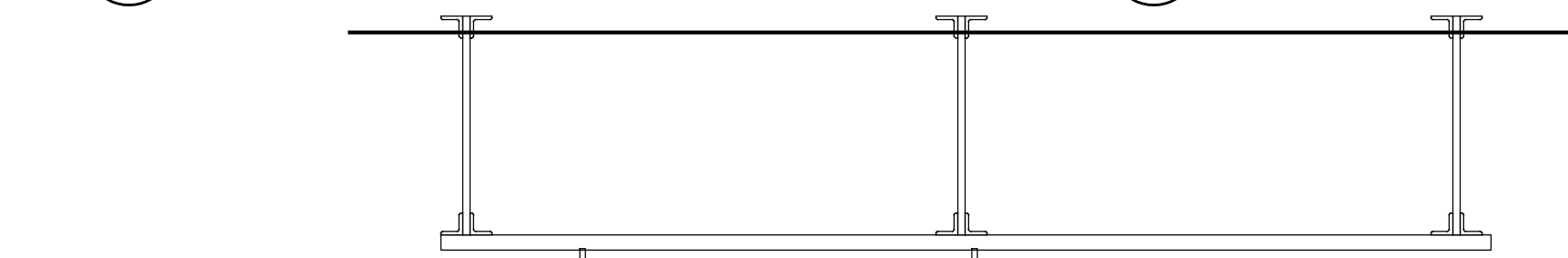
E PREP AREA  
1/4" = 1'-0"



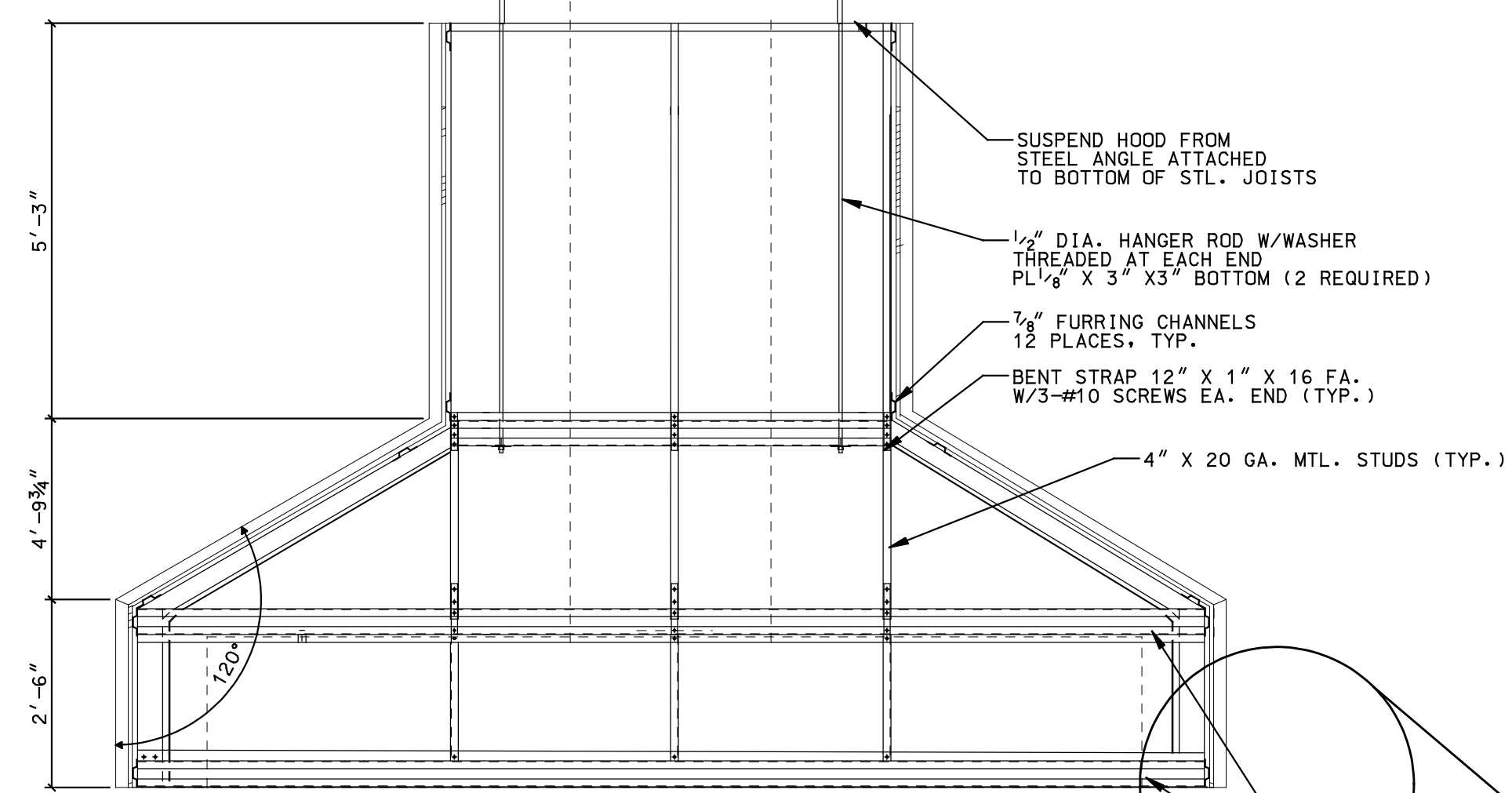
F PREP AREA  
1/4" = 1'-0"



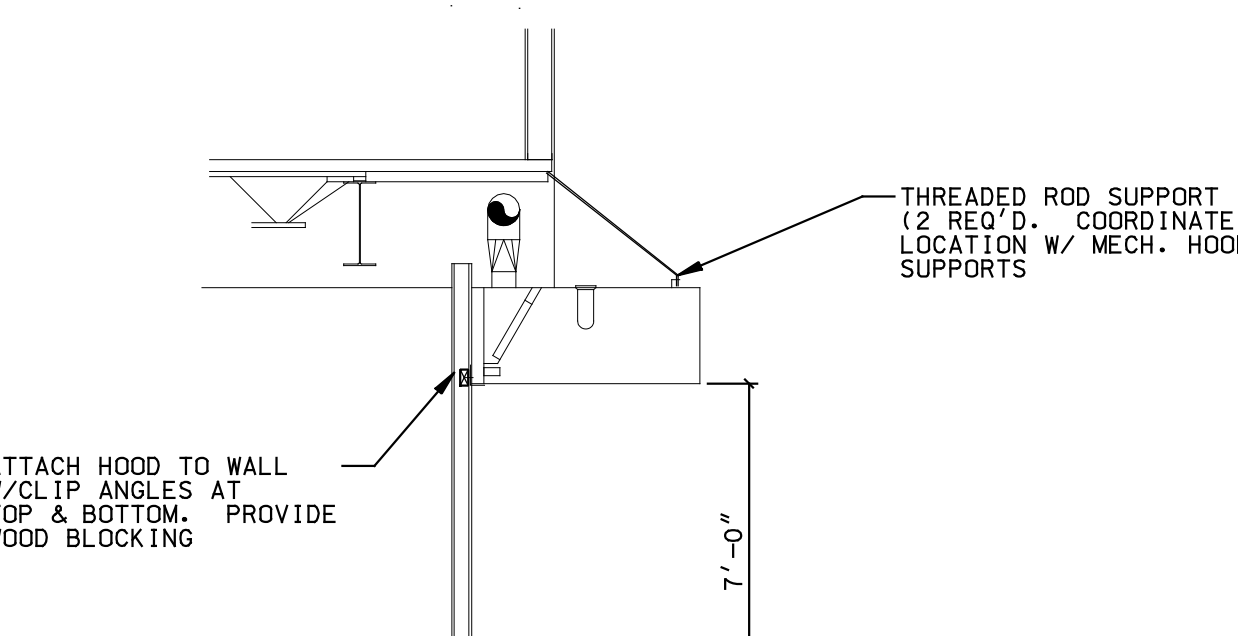
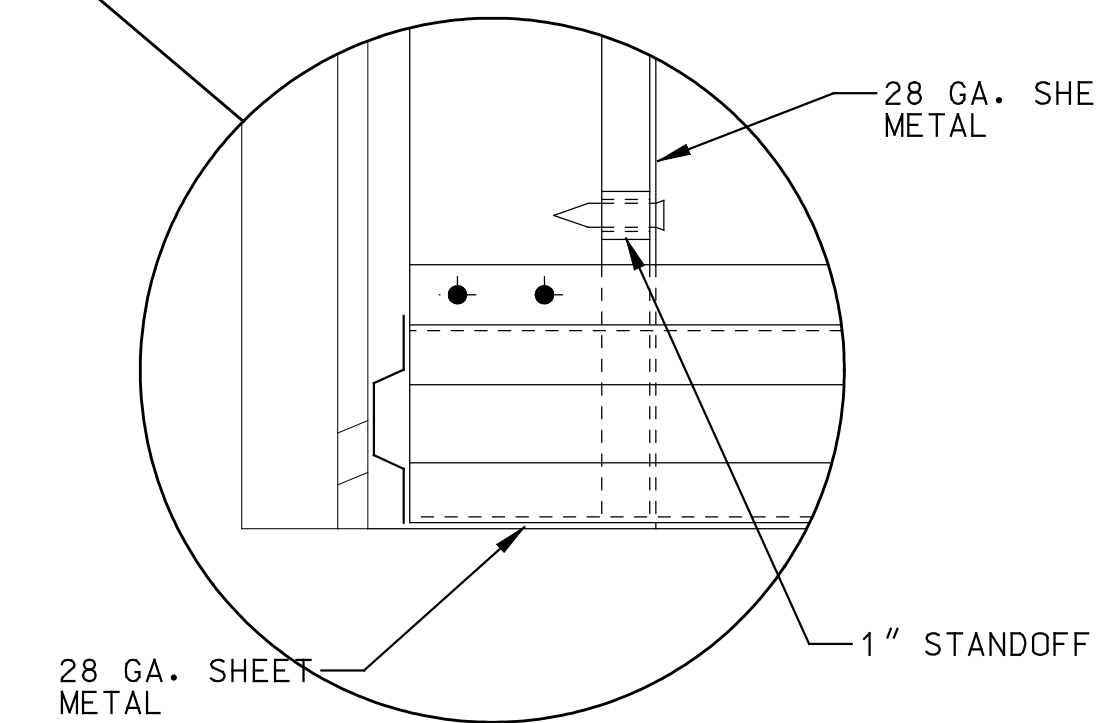
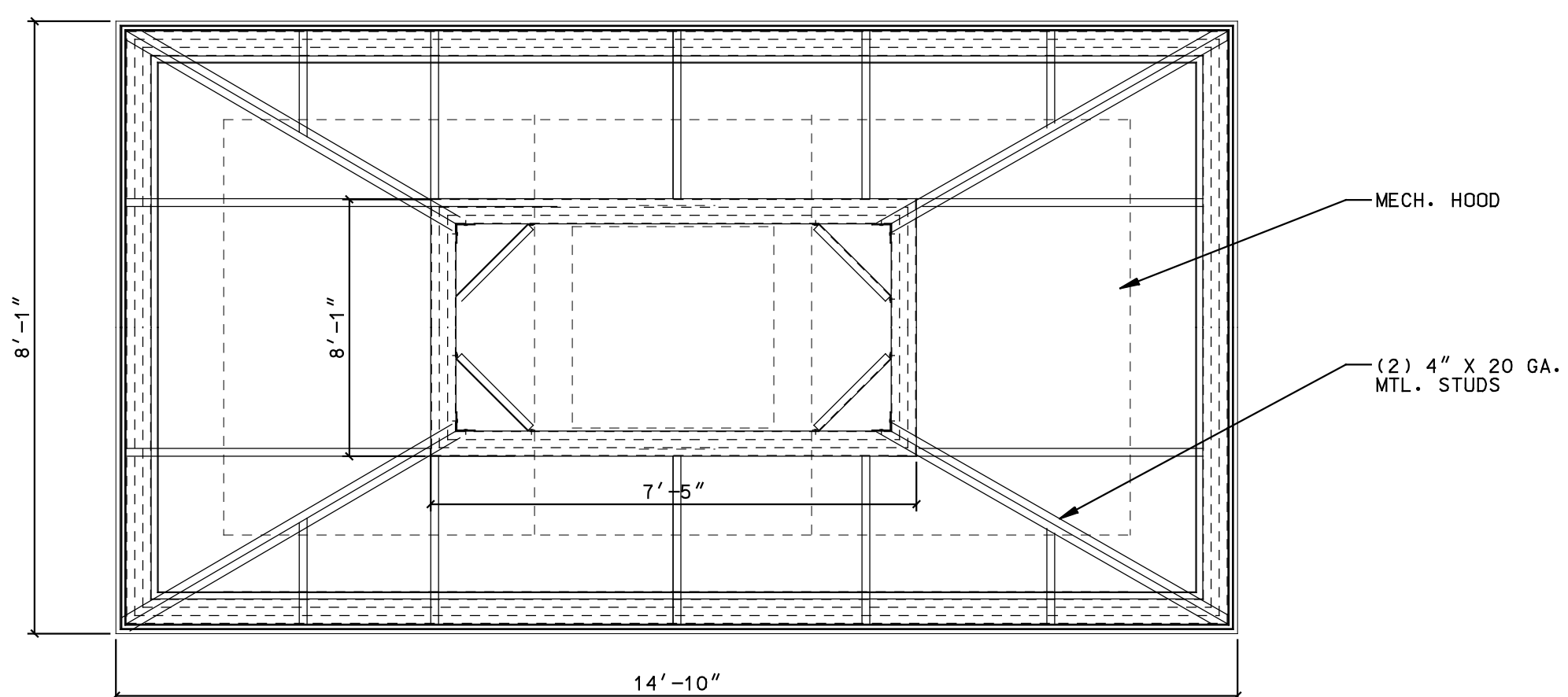
G PREP AREA  
1/4" = 1'-0"



3 DECORATIVE HOOD SECTION

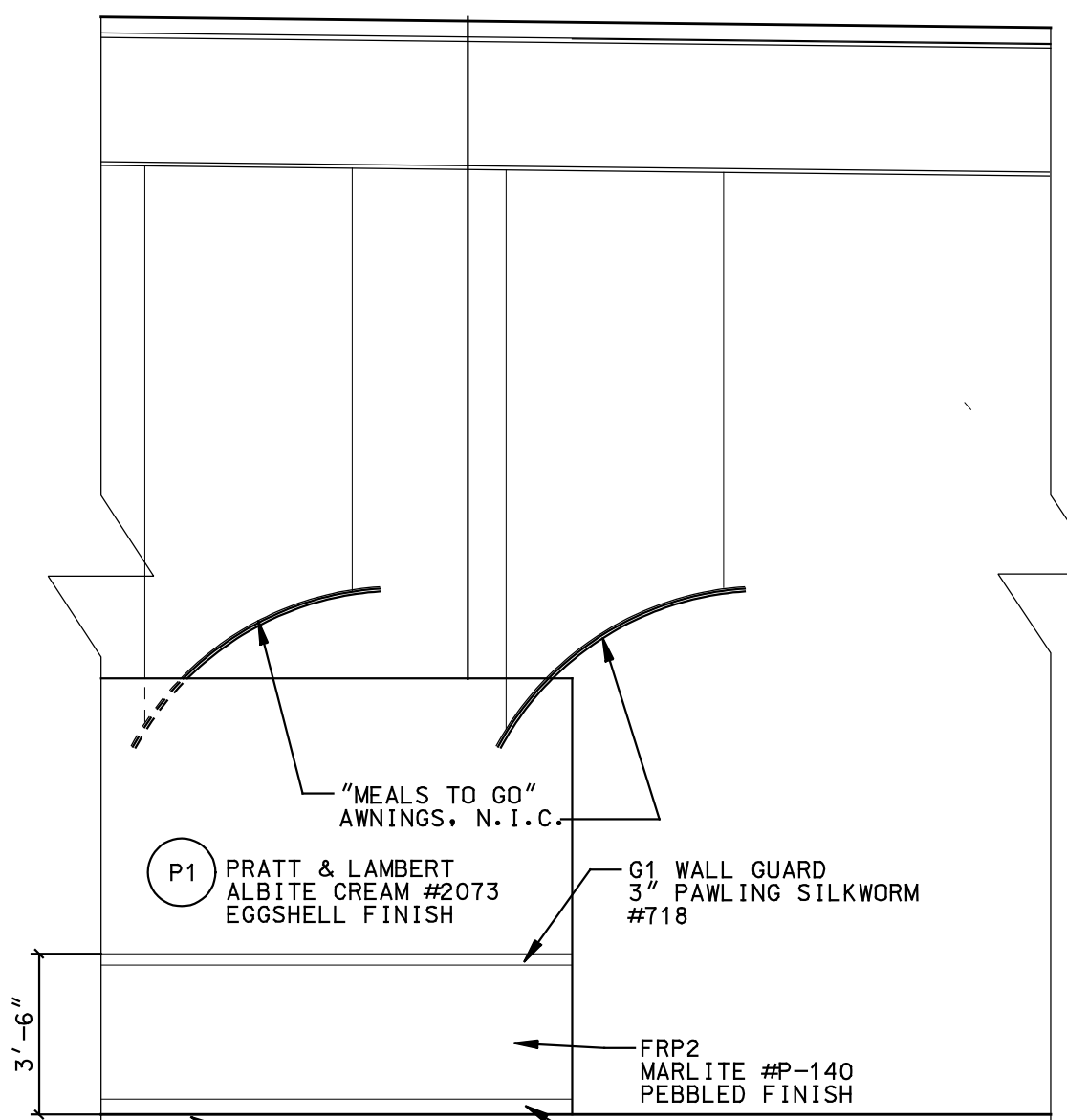


4 DECORATIVE HOOD PLAN

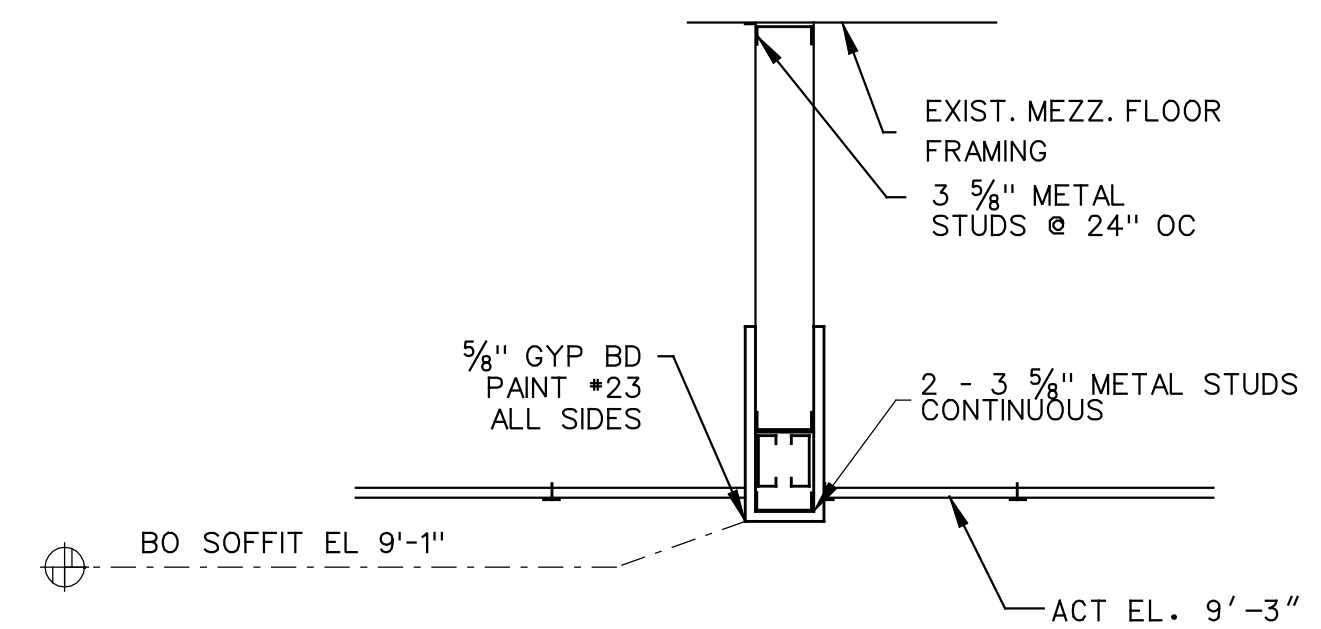


5 COMBI OVEN HOOD DETAILS

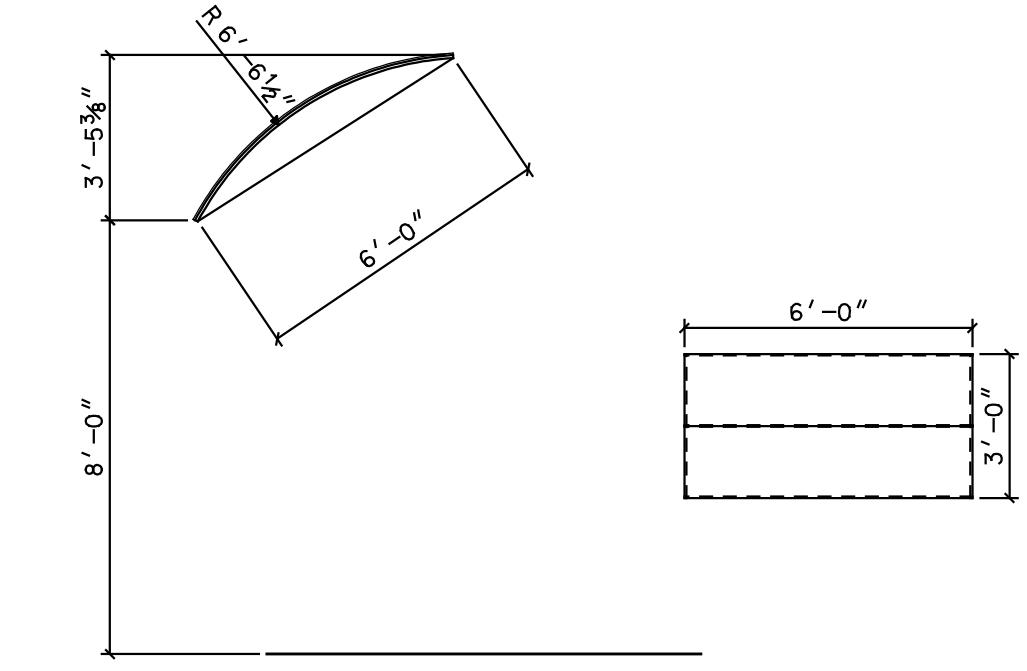
NOTES:  
 1. DECORATIVE HOOD FINISHES BY OWNER.  
 2. CONTRACTOR TO COORDINATE WORK OF ALL TRADES.  
 3. CONTRACTOR TO VERIFY FIELD CONDITIONS PRIOR TO INSTALLATION OF HOOD DECORATIVE SHROUD.



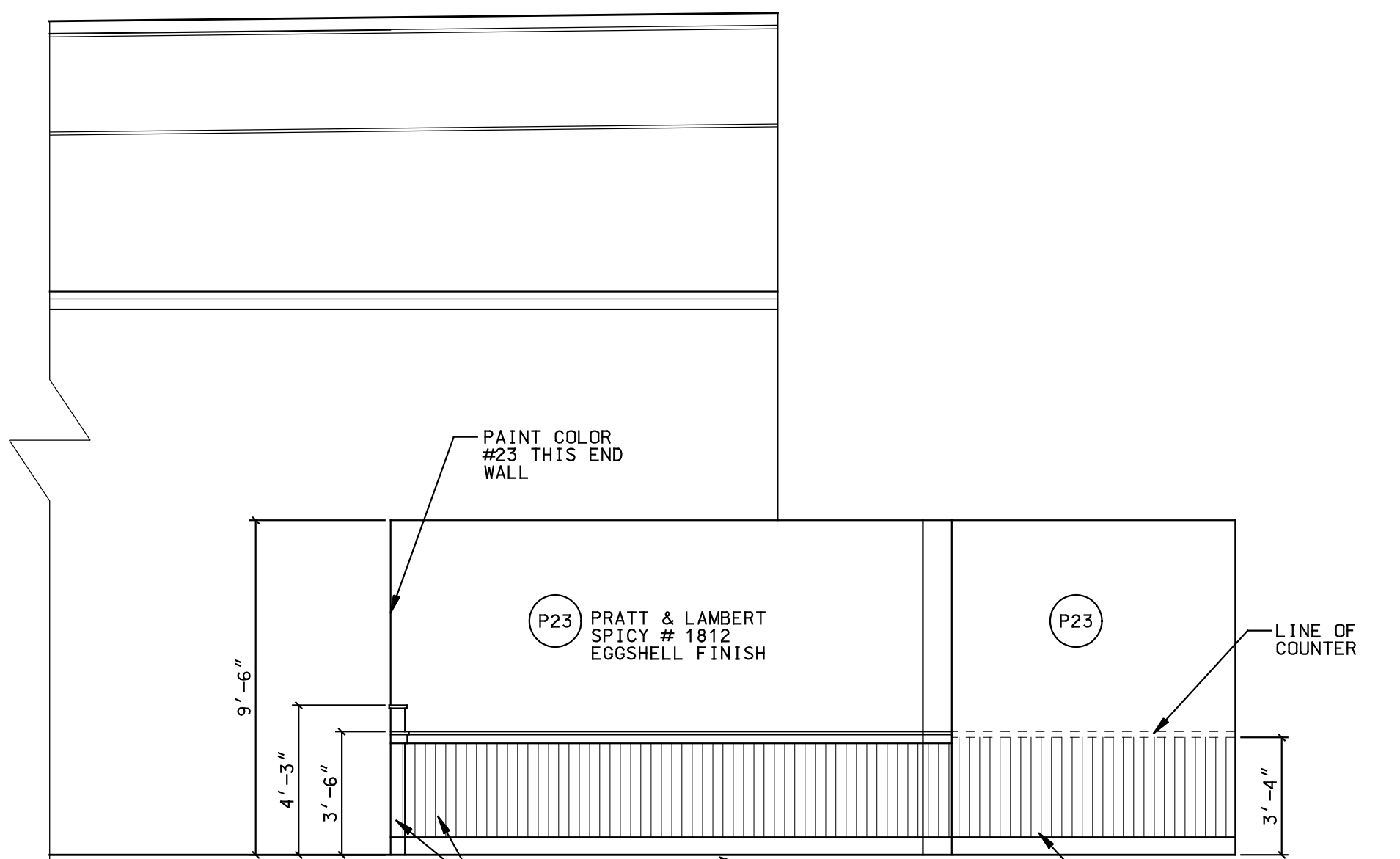
B CORRIDOR  
1/4" = 1'-0"



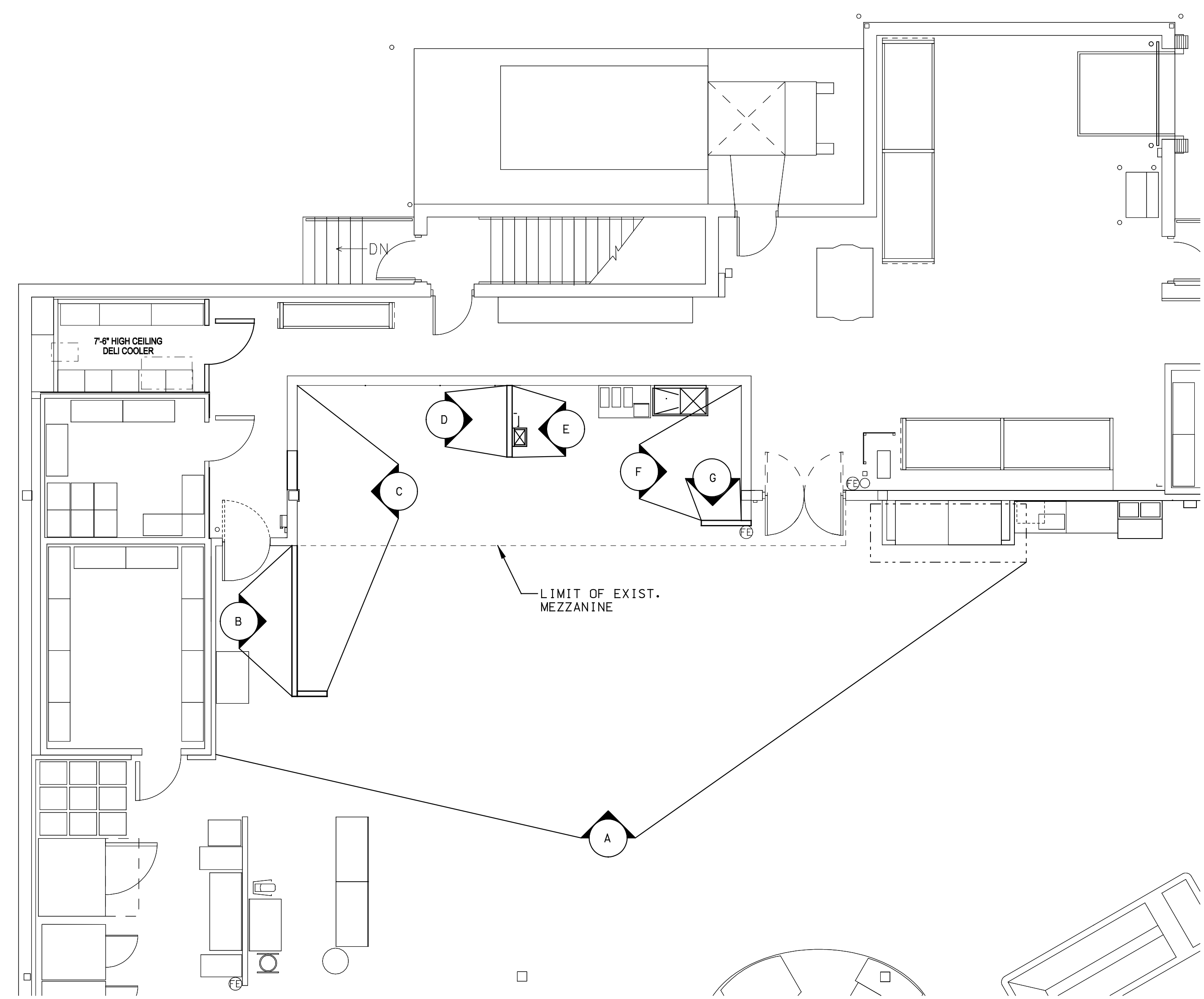
1 SECTION THRU SOFFIT



2 MEALS TO GO AWNING DETAILS - N.I.C.  
1/4" = 1'-0"



C CAFE  
1/4" = 1'-0"



KEY PLAN  
1/4" = 1'-0"

DATE	BY	REVISIONS

DATE	BY	REVISIONS
4-13-07	JAM	ISSUED FOR CONSTRUCTION

PROJECT TITLE  
**Hannaford Supermarket #551**  
 295 Forest Avenue  
 Portland, ME 04101

SHEET TITLE  
**INTERIOR ELEVATIONS**  
 DETAILS

DESIGN	P. WALLACE II
DRAWN	LAM
CHECKED	J. TOWLE
DATE	4-07

© 2007 Hannaford Bros Co

SHEET  
**A201**

proj no. number