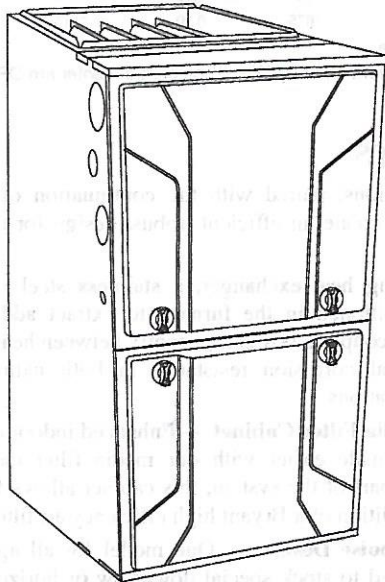


**926TA
PREFERRED™ TWO-STAGE
4-WAY MULTIPOISE, VARIABLE SPEED
CONDENSING GAS FURNACE, SERIES B, C**



Product Data



A11264

The 926TA Multipoise Variable-Speed Condensing Gas Furnace features the two-stage Preferred™ Series System. The Perfect Heat® technology two-stage gas valve is at the heart of the comfort provided by this furnace, along with the variable-speed ECM blower motor, and two-speed inducer motor. With an Annual Fuel Utilization Efficiency (AFUE) up to 96.5%, the Preferred™ Series two-stage gas furnace provides exceptional savings as well when compared to standard gas furnaces. This Preferred™ Series Gas Furnace also features 4-way multipoise installation flexibility, and is available in eight model sizes. The 926TA can be vented for direct vent/two-pipe, ventilated combustion air, or single-pipe applications. All units meet California Air Quality Management District emission requirements. All sizes are design certified in Canada.

STANDARD FEATURES

- All sizes meet ENERGY STAR® Version 4.1 criteria for gas furnaces: 95+AFUE
- Quiet operation. Compare for yourself at HVACpartners.com.
- Series 3 or greater (sizes 60080, 60100, 66120) allow 15 Amp breaker with accessory (order separately).
- Ideal height 35" (889 mm) cabinet: short enough for taller coils, but still allows enough room for service.
- Silicon Nitride Perfect Light™ Hot Surface Igniter.
- FanOn Plus™ technology allows control of continuous fan speed from a compatible thermostat.
- 4-way multipoise design for upflow, downflow or horizontal installations, with unique vent elbow and optional through-the-cabinet downflow venting capability.
- Full-featured variable-speed blower motor, two-speed inducer motor, and two-stage gas valve.
- Self-diagnostics.
- Adjustable blower speed for cooling, continuous fan, and dehumidification.
- Aluminized-steel primary heat exchanger.
- Stainless-steel condensing secondary heat exchanger.
- Propane convertible (See Accessory list).
- Factory-configured ready for upflow applications.
- Fully-insulated casing including blower section.
- Convenient Air Purifier and Humidifier connections.
- Direct-vent/sealed combustion, single-pipe venting or ventilated combustion air.
- Installation flexibility: sidewall or vertical vent.
- Residential installations may be eligible for consumer financing through the Retail Credit Program.
- Cabinet air leakage less than 2.0% at 1.0 in. W.C. and cabinet air leakage less than 1.4% at 0.5 in. W.C. when tested in accordance with ASHRAE standard 193.

**Preferred™
SERIES**



Use of the AHRI Certified™ Mark indicates a manufacturer's participation in the program. For verification of certification for individual products, go to www.ahridirectory.org.



**Always Ask For
FACTORY
AUTHORIZED
PARTS**

| SAP ORDERING NO. | CASING DIMENSIONS (IN.) | | | RATED HEATING OUTPUT† (BTUH) | | AFUE | | ENERGY STAR® | HEATING AIRFLOW | | | COOLING CFM @ 0.5 ESP (in. W.C.) | MOTOR HP - SPEED (VARIABLE SPEED) |
|------------------|-------------------------|------|------|------------------------------|--------|-------------------|-----------|--------------|---------------------|-------------------|-----------------------------|----------------------------------|-----------------------------------|
| | H | D | W | High | Low | UPFLOW/HORIZONTAL | DOWN-FLOW | | CFM‡ (High Heating) | CFM (Low Heating) | High Heating ESP (in. W.C.) | | |
| 926TA30040V14 | 35 | 29.5 | 14.2 | 39,000 | 25,000 | 96.5% | 95.0% | YES | 815 | 660 | 0.10 | 905 | 1/2 |
| 926TA36040V17 | 35 | 29.5 | 17.5 | 39,000 | 25,000 | 96.0% | 95.0% | NO | 860 | 660 | 0.10 | 1065 | 1/2 |
| 926TA36060V14 | 35 | 29.5 | 14.2 | 58,000 | 38,000 | 95.0% | 95.0% | YES | 1120 | 910 | 0.12 | 1065 | 1/2 |
| 926TA42060V17 | 35 | 29.5 | 17.5 | 58,000 | 38,000 | 96.3% | 95.0% | YES | 1135 | 860 | 0.12 | 1475 | 3/4 |
| 926TA48080V17 | 35 | 29.5 | 17.5 | 78,000 | 50,000 | 96.2% | 95.0% | YES | 1505 | 1160 | 0.15 | 1610 | 3/4 |
| 926TA60080V21 | 35 | 29.5 | 21.0 | 78,000 | 51,000 | 96.5% | 95.0% | YES | 1555 | 1200 | 0.15 | 2005 | 1 |
| 926TA60100V21 | 35 | 29.5 | 21.0 | 97,000 | 63,000 | 96.1% | 95.0% | YES | 1865 | 1435 | 0.20 | 2005 | 1 |
| 926TA66120V24 | 35 | 29.5 | 24.0 | 117,000 | 76,000 | 96.5% | 95.0% | YES | 2375 | 1675 | 0.20 | 2115 | 1 |

†Capacity in accordance with DOE test procedures. Ratings are position dependent. See rating plate.

‡Minimum heat CFM when low-heat rise adjustment switch (SW 1-3) and comfort/efficiency adjustment switch (SW1-4) on control center are OFF.

ESP — External Static Pressure

FEATURES AND BENEFITS

SmartEvap™ Technology — When paired with a compatible thermostat, this dehumidification feature overrides the cooling blower off-delay when there is a call for dehumidification. By deactivating the blower off-delay, SmartEvap technology prevents condensate that remains on the coil after a dehumidification cycle from re-humidifying throughout the home. This results in reduced humidity and a more comfortable indoor environment for the homeowner.

Unlike competitive systems, SmartEvap technology only overrides the cooling blower off delay when humidity control is needed. Once humidity is back in control, SmartEvap re-enables the energy-saving cooling blower off-delay.

Fan On Plus™ Technology — Sometimes the constant fan setting on a standard furnace system can actually reduce homeowner comfort by providing too much or too little air! Fan On Plus technology improves comfort all year long by allowing the homeowner to select the continuous fan speed of their choice using a compatible thermostat.

HYBRID HEAT® Dual Fuel system — This system can provide more control over your monthly energy bills by automatically selecting the most economical method of heating. With HYBRID HEAT, our system automatically switches between the gas furnace and the electric heat pump as outside temperatures change to maintain greater efficiency and comfort than with any traditional single-source heating system. The heat pump also delivers high-efficiency cooling in the summer.

Power Heat™ Igniter — Bryant's unique SiN igniter is not only physically robust but it is also electrically robust. It is capable of running at line voltage and does not require complex voltage regulators as do other brands. This unique feature further enhances the gas furnace reliability and continues Bryant's tradition of technology leadership and innovation in providing a reliable and durable product.

Full-Featured, Variable Speed Motors — Our variable-speed ECM (Electronically Commutated Motor) optimizes comfort levels in the home year round; features such as passive/active dehumidification, ramping profiles, and quiet operation. They can provide cooling match enhancements to increase the effective SEER of select Bryant air conditioner or heat pump system. This motor does not report back RPM and static pressure to the furnace control.

Reliable Heat Exchanger Design — The aluminized steel, clam shell primary heat exchanger was re-engineered to achieve greater efficiency out of a smaller size. The first two passes of the heat exchanger are based on the current 80% product, a design with more than ten years of field-proven performance and success.

These innovations, paired with the continuation of a crimped, no-weld seam create an efficient, robust design for this essential component.

The condensing heat exchanger, a stainless steel fin and tube design, is positioned in the furnace to extract additional heat. Stainless steel coupling box componentry between heat exchangers has exceptional corrosion resistance in both natural gas and propane applications.

Optional Media Filter Cabinet — Enhanced indoor air quality in the home is made easier with our media filter cabinet. When installed as a part of the system, this cabinet allows for easy and convenient addition of a Bryant high efficiency air filter.

4-Way Multipoise Design — One model for all applications — there is no need to stock special downflow or horizontal models when one unit will do it all. The new heat exchanger design allows these units to achieve the certified AFUE in all positions.

Direct or Single-pipe Venting, or Optional Ventilated Combustion Air — This furnace can be installed as a 2-pipe (Direct Vent) furnace, in an optional ventilated combustion air application, or in single-pipe, non-direct vent applications. This provides added flexibility to meet diverse installation needs.

Sealed Combustion System — This furnace brings in combustion air from outside the furnace, which results in especially quiet operation. By sealing the entire combustion vestibule, the entire furnace can be made quieter, not just the burners.

Insulated Casing — Foil-faced insulation in heat exchanger section of the casing minimizes heat loss. The acoustical insulation in the blower compartment reduces air and motor noise for quiet operation.

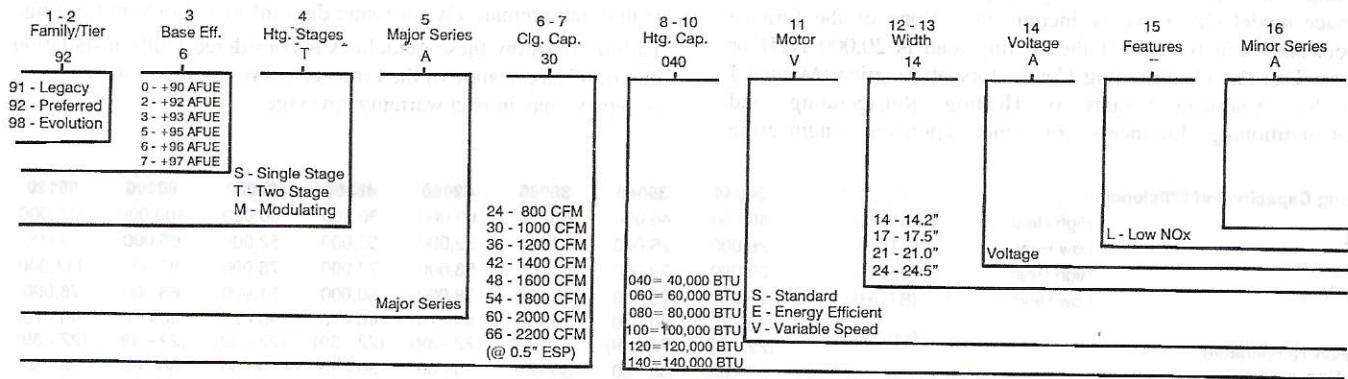
Monoport Burners — The burners are specially designed and finely tuned for smooth, quiet combustion and economical operation.

Bottom Closure — Factory-installed for side return; easily removable for bottom return. The multi-use bottom closure can also serve for roll-out protection in horizontal applications, and act as the bottom closure for the optional return air base accessory.

Certifications — This furnace is CSA (AGA and CGA) design certified for use with natural and propane gases. The furnace is factory-shipped for use with natural gas. A CSA listed gas conversion kit is required to convert furnace for use with propane gas. The efficiency is AHRI efficiency rating certified. This furnace meets California Air Quality Management District emission requirements.

MODEL NUMBER NOMENCLATURE

Example of a Model Number

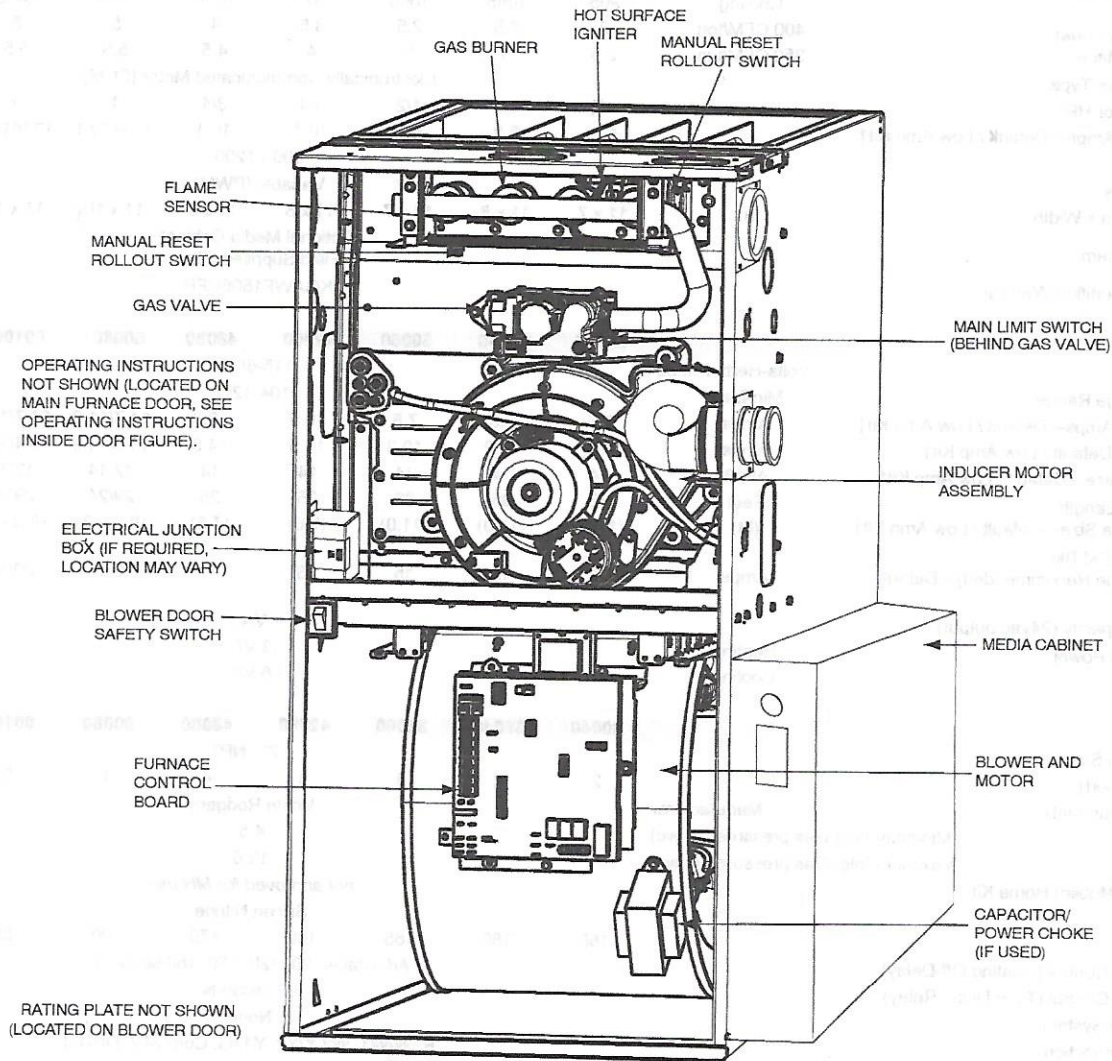


Not all families have these models.

FURNACE COMPONENTS

A14367

926TA



REPRESENTATIVE DRAWING ONLY, SOME MODELS MAY VARY IN APPEARANCE.

A170154

SPECIFICATIONS

The furnace should be sized to provide 100 percent of the design heating load requirement plus any margin that occurs because of furnace model size capacity increments. None of the furnace model sizes can be used if the heating load is 20,000 BTU or lower. Use Air Conditioning Contractors of America (Manual J and S); American Society of Heating, Refrigerating, and Air-Conditioning Engineers; or other approved engineering

method to calculate heating load estimates and select the furnace. Excessive oversizing of the furnace may cause the furnace and/or vent to fail prematurely, customer discomfort and/or vent freezing. Failure to follow these guidelines is considered faulty installation and/or misapplication of the furnace; and resulting failure, damage, or repairs may impact warranty coverage.

926TA

| Heating Capacity and Efficiency | | | 30040 | 36040 | 36060 | 42060 | 48080 | 60080 | 60100 | 66120 |
|---|-------------|-------------------------------------|-----------|-----------|-----------|---|-----------|-----------------|-----------------|-----------------|
| Input | High Heat | (BTUH) | 40,000 | 40,000 | 60,000 | 60,000 | 80,000 | 80,000 | 100,000 | 120,000 |
| | Low Heat | (BTUH) | 26,000 | 26,000 | 39,000 | 39,000 | 52,000 | 52,000 | 65,000 | 78,000 |
| Output | High Heat | (BTUH) | 39,000 | 39,000 | 58,000 | 58,000 | 78,000 | 78,000 | 97,000 | 117,000 |
| | Low Heat | (BTUH) | 25,000 | 25,000 | 38,000 | 38,000 | 50,000 | 51,000 | 63,000 | 76,000 |
| Certified Temperature Rise Range °F (°C) | High Heat | | (22 - 39) | (22 - 39) | (22 - 39) | (22 - 39) | (22 - 39) | (22 - 39) | (22 - 39) | (22 - 39) |
| | Low Heat | | (17 - 33) | (17 - 33) | (17 - 33) | (17 - 33) | (17 - 33) | (17 - 33) | (17 - 33) | (17 - 33) |
| Airflow Capacity and Blower Data | | | 30040 | 36040 | 36060 | 42060 | 48080 | 60080 | 60100 | 66120 |
| Rated External Static Pressure (in. w.c.) | Heating | | 0.10 | 0.10 | 0.12 | 0.12 | 0.15 | 0.15 | 0.20 | 0.20 |
| | Cooling | | 0.5 | 0.5 | 0.5 | 0.5 | 0.5 | 0.5 | 0.5 | 0.5 |
| Airflow Delivery @ Rated ESP (CFM) | High Heat | | 815 | 860 | 1120 | 1135 | 1505 | 1555 | 1865 | 2375 |
| | Low Heat | | 660 | 660 | 910 | 860 | 1160 | 1200 | 1435 | 1675 |
| | Cooling | | 905 | 1065 | 1065 | 1475 | 1610 | 2005 | 2005 | 2115 |
| Cooling Capacity (tons) @ 400, 350 CFM/ton | 400 CFM/ton | | 2 | 2.5 | 2.5 | 3.5 | 4 | 5 | 5 | 5 |
| | 350 CFM/ton | | 2.5 | 3 | 3 | 4 | 4.5 | 5.5 | 5.5 | 6 |
| Direct-Drive Motor Type | | | | | | Electronically Communicated Motor (ECM) | | | | |
| Direct-Drive Motor HP | | | 1/2 | 1/2 | 1/2 | 3/4 | 3/4 | 1 | 1 | 1 |
| Motor Full Load Amps—Default / Low Amp Kit† | | | 6.8 | 6.8 | 6.8 | 10.1 | 10.1 | 13.9/10.4 | 13.9/10.4 | 13.9/10.4 |
| RPM Range | | | | | | 600 - 1200 | | | | |
| Speed Selections | | | | | | Variable (PWM) | | | | |
| Blower Wheel Dia x Width | in. | | 11 x 7 | 11 x 8 | 11 x 7 | 11 x 8 | 11 x 8 | 11 x 10 | 11 x 10 | 11 x 11 |
| Air Filtration System | | | | | | Optional Media Cabinet Field Supplied Filter KGAWF1506UFR | | | | |
| Filter Used for Certified Watt Data | | | | | | | | | | |
| Electrical Data | | | 30040 | 36040 | 36060 | 42060 | 48080 | 60080† | 60100† | 66120† |
| Input Voltage | | Volts-Hertz-Phase | | | | 115-60-1 | | | | |
| Operating Voltage Range | | Min-Max | | | | 104-127 | | | | |
| Maximum Input Amps—Default / Low Amp Kit† | | Amps | 7.5 | 7.5 | 7.6 | 10.9 | 10.9 | 14.7/11.3 | 14.7/11.3 | 14.7/11.3 |
| Unit Ampacity—Default / Low Amp Kit† | | Amps | 10.3 | 10.2 | 10.3 | 14.5 | 14.5 | 19.3/14.9 | 19.4/15.0 | 19.4/15.0 |
| Minimum Wire Size—Default / Low Amp Kit† | | AWG | 14 | 14 | 14 | 14 | 14 | 12/14 | 12/14 | 12/14 |
| Maximum Wire Length @ Minimum Wire Size—Default / Low Amp Kit† | | Feet (M) | 36 (11.0) | 36 (11.0) | 36 (11.0) | 25 (7.6) | 25 (7.6) | 29/24 (8.8/7.3) | 29/24 (8.8/7.3) | 29/24 (8.8/7.3) |
| Maximum Fuse/Ckt Bkr (Time-Delay Type Recommended)—Default / Low Amp Kit† | | Amps | 15 | 15 | 15 | 15 | 15 | 20/15 | 20/15 | 20/15 |
| Transformer Capacity (24vac output) | | | | | | VA | | | | |
| External Control Power Available | Heating | | | | | .3 VA | | | | |
| | Cooling | | | | | .6 VA | | | | |
| Controls | | | 30040 | 36040 | 36060 | 42060 | 48080 | 60080 | 60100 | 66120 |
| Gas Connection Size | | | | | | 1/2" - NPT | | | | |
| Burners (Monoport) | | | 2 | 2 | 3 | 3 | 4 | 4 | 5 | 6 |
| Gas Valve (Redundant) | | Manufacturer | | | | White Rodgers | | | | |
| | | Minimum Inlet Gas pressure (in. wc) | | | | 4.5 | | | | |
| | | Maximum Inlet Gas pressure (in. wc) | | | | 13.6 | | | | |
| Manufactured (Mobile) Home Kit | | | | | | not approved for MH use | | | | |
| Ignition Device | | | | | | Silicon Nitride | | | | |
| Limit Control | | | 165 | 180 | 165 | 180 | 170 | 200 | 180 | 160 |
| Heating Blower Control (Heating Off-Delay) | | | | | | Adjustable: 90, 120, 150, 180 seconds | | | | |
| Cooling Blower Control (Time Delay Relay) | | | | | | 90 seconds | | | | |
| Communication System | | | | | | None | | | | |
| Thermostat Connections | | | | | | R, WW1, W2 Y/Y2, Y1, G, Com 24V, DHUM | | | | |
| Accessory Connections | | | | | | EAC (115vac); HUM (24vac); 1-stg. AC (via Y/Y2) | | | | |

* See Accessory List for part numbers available.

† Low Amp Kit (KGAPC0101ECM) allows select furnaces to be installed with a 15 Amp Breaker and 14 AWG wire within the listed wire length.

ACCESSORIES

| DESCRIPTION | PART NUMBER | 30040 | 36040 | 36060 | 42060 | 48080 | 60080 | 60100 | 66120 |
|---|-------------------|-------|-------|-------|-------|-------|-------|-------|------------------------|
| Venting Accessories | | | | | | | | | |
| Vent Kit - Through the Cabinet | KGADC0101BVC | • | • | • | • | • | • | • | • |
| Vent Terminal - Concentric - 2" (51 mm) | KGAVT0701CVT | | | | | | | | |
| Vent Terminal - Concentric - 3" (76 mm) | KGAVT0801CVT | | | | | | | | |
| Vent Terminal Bracket - 2" (51 mm) | KGAVT0101BRA | | | | | | | | See Venting Tables |
| Vent Terminal Bracket - 3" (76 mm) | KGAVT0201BRA | | | | | | | | |
| Vent Kit - Rubber Coupling | KGAAC0101RVC | | | | | | | | See Venting Tables |
| Condensate Drainage Accessories | | | | | | | | | |
| Freeze Protect Kit - Heat Tape | KGAHT0101CFP | • | • | • | • | • | • | • | • |
| CPVC to PVC Drain Adapters - 1/2" CPVC to 3/4" PVC | KGAAD0110PVC | • | • | • | • | • | • | • | • |
| Horizontal Trap Grommet - Direct Vent | KGACK0101HCK | | | | | | | | All DV Horizontal |
| Condensate Neutralizer Kit | P908-0001 | • | • | • | • | • | • | • | • |
| External Trap Kit | KGAET0201ETK | • | • | • | • | • | • | • | • |
| Ductwork Adapter Accessories | | | | | | | | | |
| Furnace Base Kit for Combustible Floors | KGASB0201ALL | • | • | • | • | • | • | • | • |
| Coil Adapter Kits - No Offset | KGADA0101ALL | • | • | • | • | • | • | • | • |
| Coil Adapter Kits - Single Offset | KGADA0201ALL | • | • | • | • | • | • | • | • |
| Coil Adapter Kits - Double Offset | KGADA0301ALL | • | • | • | • | • | • | • | • |
| Return Air Base (Upflow Applications) 14.0-in. wide | KGARP0301B14 | • | • | | | | | | |
| Return Air Base (Upflow Applications) 17.5-in. wide | KGARP0301B17 | | | • | • | • | | | |
| Return Air Base (Upflow Applications) 21.0-in. wide | KGARP0301B21 | | | | | | • | • | |
| Return Air Base (Upflow Applications) 24.5-in. wide | KGARP0301B24 | | | | | | | | • |
| IAQ Device Duct Adapters 20.0-in. IAQ to 16 in. Side Return | KGAAD0101MEC | | | | | | | | 20"x25" IAQ Devices |
| IAQ Device Duct Adapters 24.0-in. IAQ to 16 in. Side Return | KGAAD0201MEC | | | | | | | | 24"x25" IAQ Devices |
| Gas Conversion Accessories | | | | | | | | | |
| Gas Conversion Kit - Nat to LP; Var-speed Products | KGCPN5201VSP | • | • | • | • | • | • | • | • |
| Gas Conversion Kit - LP to Nat; Var-speed Products | KGCPN4401VSP | • | • | • | • | • | • | • | • |
| Gas Orifice Kit - #42 (Nat Gas) | LH32DB207 | • | • | • | • | • | • | • | • |
| Gas Orifice Kit - #43 (Nat Gas) | LH32DB202 | • | • | • | • | • | • | • | • |
| Gas Orifice Kit - #44 (Nat Gas) | LH32DB200 | • | • | • | • | • | • | • | • |
| Gas Orifice Kit - #45 (Nat Gas) | LH32DB205 | • | • | • | • | • | • | • | • |
| Gas Orifice Kit - #46 (Nat Gas) | LH32DB208 | • | • | • | • | • | • | • | • |
| Gas Orifice Kit - #47 (Nat Gas) | LH32DB078 | • | • | • | • | • | • | • | • |
| Gas Orifice Kit - #48 (Nat Gas) | LH32DB076 | • | • | • | • | • | • | • | • |
| Gas Orifice Kit - #54 (LP) | LH32DB203 | • | • | • | • | • | • | • | • |
| Gas Orifice Kit - #55 (LP) | LH32DB201 | • | • | • | • | • | • | • | • |
| Gas Orifice Kit - #56 (LP) | LH32DB206 | • | • | • | • | • | • | • | • |
| Gas Orifice Kit - 1.25mm (LP) | LH32DB209 | • | • | • | • | • | • | • | • |
| Gas Orifice Kit - 1.30mm (LP) | LH32DB210 | • | • | • | • | • | • | • | • |
| Control Accessories | | | | | | | | | |
| Advanced Product Monitor - APM | KGASD0301APM | • | • | • | • | • | • | • | • |
| Preferred™ Series Thermidistat | T6-PRH | • | • | • | • | • | • | • | • |
| Twinning Kit | KGATW0801HSI | | | | | | | | |
| IAQ Accessories | | | | | | | | | |
| Filter Pack (6 pack) - Washable - 16x25x1 (406x635x25 mm) | KGAWF1306UFR | • | • | • | • | • | • | • | • |
| Filter Pack (6 pack) - Washable - 24x25x1 (610x635x25 mm) | KGAWF1506UFR | • | • | • | • | • | • | • | • |
| EZ-Flex Filter - 16" (406 mm) | EXPXXFIL0016 | | | | | | | | Use with EZXCAB-1016 |
| EZ-Flex Filter - 20" (508 mm) | EXPXXFIL0020 | | | | | | | | Use with EZXCAB-1020 |
| EZ-Flex Filter - 24" (610 mm) | EXPXXFIL0024 | | | | | | | | Use with EZXCAB-1024 |
| EZ-Flex Filter with End Caps - 16" (406 mm) | EXPXXUNV0016 | | | | | | | | Use with EZXCAB-1016 |
| EZ-Flex Filter with End Caps - 20" (508 mm) | EXPXXUNV0020 | | | | | | | | Use with EZXCAB-1020 |
| EZ-Flex Filter with End Caps - 24" (610 mm) | EXPXXUNV0024 | | | | | | | | Use with EZXCAB-1024 |
| Cartridge Media Filter - 16" (406 mm) | FILXXCAR0016 | | | | | | | | Use with FILCABXL-1016 |
| Cartridge Media Filter - 20" (508 mm) | FILXXCAR0020 | | | | | | | | Use with FILCABXL-1020 |
| Cartridge Media Filter - 24" (610 mm) | FILXXCAR0024 | | | | | | | | Use with FILCABXL-1024 |
| Bryant Perfect Air Purifier - 16x25 (406x635 mm) | GAPAAABB1625-A08 | | | | | | | | Up to 1600 CFM |
| Bryant Perfect Air Purifier - 20x25 (508x635 mm) | GAPAAABB2025-A08 | | | | | | | | Up to 2000 CFM |
| Bryant Perfect Air Purifier Repl. Filter- 16x25 (406x635 mm) | GAPABBCAR1625-A05 | | | | | | | | Use with GAPAAABB1625 |
| Bryant Perfect Air Purifier Repl. Filter- 20x25 (508x635 mm) | GAPABBCAR2025-A05 | | | | | | | | Use with GAPAAABB2025 |
| Bryant Preferred Air Purifier - 16x25 (508x635 mm) | PGAPXX1625 | | | | | | | | Up to 1600 CFM |
| Bryant Preferred Air Purifier - 20x25 (508x635 mm) | PGAPXX2025 | | | | | | | | Up to 2000 CFM |
| Bryant Preferred Air Purifier Repl Filter - 16x25 (406x635 mm) | PGAPAXXCAR1625 | | | | | | | | Use with PGAPXX1625 |
| Bryant Preferred Air Purifier Repl. Filter - 20x25 (508x635 mm) | PGAPAXXCAR2025 | | | | | | | | Use with PGAPXX2025 |
| Other | | | | | | | | | |
| Lower Amp Kit | KGAPC0101ECM | | | | | | • | • | • |

• = Used with the model furnace

926TA

AIR DELIVERY – CFM

(SW1-5 and SW2-2 set to OFF, except as indicated. See notes 1 and 2)

| Unit Size | Cooling Switch Settings | | | External Static Pressure (ESP) | | | | | | | | | |
|----------------------|----------------------------------|-------|-------|--------------------------------|------|------|------|------|------------|------------|-----|------------|--------|
| | SW2-8 | SW2-7 | SW2-6 | 0.1 | 0.2 | 0.3 | 0.4 | 0.5 | 0.6 | 0.7 | 0.8 | 0.9 | 1.030 |
| 30040 | | | | | | | | | | | | | |
| <i>Clg Default:</i> | OFF | OFF | OFF | 1125 | 1080 | 1020 | 970 | 905 | 855 | 805 | 755 | 700 | 635 |
| | OFF | OFF | ON | 615 | 555 | 510 | 475 | 440 | 395 | 355 | 270 | 230 | note 8 |
| | OFF | ON | OFF | 785 | 740 | 695 | 665 | 630 | 590 | 565 | 520 | 485 | 450 |
| | OFF | ON | ON | 990 | 950 | 910 | 875 | 850 | 815 | 770 | 720 | 670 | 615 |
| <i>Cooling (SW2)</i> | ON | OFF | OFF | 1125 | 1080 | 1020 | 970 | 905 | 855 | 805 | 755 | 700 | 635 |
| | ON | OFF | ON | 1125 | 1080 | 1020 | 970 | 905 | 855 | 805 | 755 | 700 | 635 |
| | ON | ON | OFF | 1125 | 1080 | 1020 | 970 | 905 | 855 | 805 | 755 | 700 | 635 |
| | ON | ON | ON | 1125 | 1080 | 1020 | 970 | 905 | 855 | 805 | 755 | 700 | 635 |
| <i>Clg SW2:</i> | Maximum Clg Airflow ² | | | 1125 | 1080 | 1020 | 970 | 905 | 855 | 805 | 755 | 700 | 635 |
| | High Heat Airflow ³ | | | 815 | 770 | 725 | 695 | 660 | 625 | 595 | 550 | 510 | 475 |
| <i>Heating (SW1)</i> | Low Heat Airflow ³ | | | 660 | 605 | 560 | 530 | 495 | 450 | 415 | 340 | 300 | Note 7 |
| 36040 | | | | | | | | | | | | | |
| <i>Clg Default:</i> | OFF | OFF | OFF | 1250 | 1210 | 1165 | 1115 | 1065 | 1015 | 965 | 915 | 860 | 810 |
| | OFF | OFF | ON | 575 | 540 | 490 | 435 | 385 | See note 4 | | | | |
| | OFF | ON | OFF | 770 | 725 | 685 | 640 | 600 | 560 | 515 | 480 | See note 4 | |
| | OFF | ON | ON | 945 | 910 | 875 | 835 | 800 | 770 | 735 | 695 | 665 | 635 |
| <i>Cooling (SW2)</i> | ON | OFF | OFF | 1140 | 1105 | 1075 | 1040 | 1005 | 970 | 930 | 885 | 835 | 790 |
| | ON | OFF | ON | 1250 | 1210 | 1165 | 1115 | 1065 | 1015 | 965 | 915 | 860 | 810 |
| | ON | ON | OFF | 1250 | 1210 | 1165 | 1115 | 1065 | 1015 | 965 | 915 | 860 | 810 |
| | ON | ON | ON | 1250 | 1210 | 1165 | 1115 | 1065 | 1015 | 965 | 915 | 860 | 810 |
| <i>Clg SW2:</i> | Maximum Clg Airflow ² | | | 1250 | 1210 | 1165 | 1115 | 1065 | 1015 | 965 | 915 | 860 | 810 |
| | High Heat Airflow ³ | | | 860 | 825 | 785 | 745 | 705 | 670 | 630 | 595 | 565 | 525 |
| <i>Heating (SW1)</i> | Low Heat Airflow ³ | | | 650 | 595 | 545 | 500 | 460 | 415 | 365 | 320 | 275 | note 7 |
| 36060 | | | | | | | | | | | | | |
| <i>Clg Default:</i> | OFF | OFF | OFF | 1250 | 1210 | 1165 | 1115 | 1065 | 1015 | 955 | 895 | 815 | 745 |
| | OFF | OFF | ON | 605 | 565 | 510 | 455 | 420 | See note 4 | | | | |
| | OFF | ON | OFF | 785 | 750 | 705 | 675 | 630 | 585 | See note 4 | | | |
| | OFF | ON | ON | 955 | 920 | 895 | 860 | 825 | 785 | 755 | 720 | 685 | 650 |
| <i>Cooling (SW2)</i> | ON | OFF | OFF | 1135 | 1110 | 1080 | 1055 | 1020 | 990 | 935 | 880 | 825 | 745 |
| | ON | OFF | ON | 1250 | 1210 | 1165 | 1115 | 1065 | 1015 | 955 | 895 | 815 | 745 |
| | ON | ON | OFF | 1250 | 1210 | 1165 | 1115 | 1065 | 1015 | 955 | 895 | 815 | 745 |
| | ON | ON | ON | 1250 | 1210 | 1165 | 1115 | 1065 | 1015 | 955 | 895 | 815 | 745 |
| <i>Clg SW2:</i> | Maximum Clg Airflow ² | | | 1250 | 1210 | 1165 | 1115 | 1065 | 1015 | 955 | 895 | 815 | 745 |
| | High Heat Airflow ³ | | | 1125 | 1100 | 1070 | 1045 | 1010 | 980 | 925 | 875 | 820 | 740 |
| <i>Heating (SW1)</i> | Low Heat Airflow ³ | | | 900 | 865 | 835 | 800 | 760 | 720 | 690 | 650 | 610 | 580 |

926TA

AIR DELIVERY – CFM (CONTINUED)

| Unit Size | Cooling Switch Settings | | | External Static Pressure (ESP) | | | | | | | | | |
|----------------------|----------------------------------|-------|-------|--------------------------------|------|------|------|------|------|------|------|------|------------|
| | SW2-8 | SW2-7 | SW2-6 | 0.1 | 0.2 | 0.3 | 0.4 | 0.5 | 0.6 | 0.7 | 0.8 | 0.9 | 1.0 |
| 42060 | | | | | | | | | | | | | |
| <i>Clg Default:</i> | OFF | OFF | OFF | 1330 | 1295 | 1260 | 1220 | 1190 | 1150 | 1110 | 1075 | 1045 | 1005 |
| | OFF | OFF | ON | 725 | 600 | 435 | 280 | 210 | | | | | See note 4 |
| | OFF | ON | OFF | 780 | 725 | 660 | 615 | 540 | | | | | See note 4 |
| | OFF | ON | ON | 975 | 925 | 875 | 835 | 785 | 750 | 690 | 655 | 610 | 570 |
| <i>Cooling (SW2)</i> | ON | OFF | OFF | 1160 | 1120 | 1090 | 1045 | 1010 | 970 | 920 | 885 | 840 | 800 |
| | ON | OFF | ON | 1330 | 1295 | 1260 | 1220 | 1190 | 1150 | 1110 | 1075 | 1045 | 1005 |
| | ON | ON | OFF | 1705 | 1650 | 1595 | 1545 | 1475 | 1415 | 1340 | 1275 | 1200 | 1105 |
| | ON | ON | ON | 1705 | 1650 | 1595 | 1545 | 1475 | 1415 | 1340 | 1275 | 1200 | 1105 |
| <i>Clg SW2:</i> | Maximum Clg Airflow ² | | | 1705 | 1650 | 1595 | 1545 | 1475 | 1415 | 1340 | 1275 | 1200 | 1105 |
| | High Heat Airflow ³ | | | 1145 | 1105 | 1075 | 1030 | 995 | 955 | 905 | 870 | 825 | 785 |
| <i>Heating (SW1)</i> | Low Heat Airflow ³ | | | 870 | 820 | 760 | 720 | 655 | 620 | 560 | 525 | 470 | 435 |
| 48080 | | | | | | | | | | | | | |
| <i>Clg Default:</i> | OFF | OFF | OFF | 1805 | 1765 | 1720 | 1665 | 1610 | 1540 | 1475 | 1400 | 1315 | 1235 |
| | OFF | OFF | ON | 775 | 635 | 455 | 230 | | | | | | See note 8 |
| | OFF | ON | OFF | 840 | 740 | 675 | 625 | 555 | | | | | See note 4 |
| | OFF | ON | ON | 995 | 955 | 910 | 860 | 815 | 770 | 720 | 660 | 620 | 585 |
| <i>Cooling (SW2)</i> | ON | OFF | OFF | 1175 | 1140 | 1090 | 1060 | 1025 | 980 | 940 | 905 | 855 | 815 |
| | ON | OFF | ON | 1325 | 1280 | 1245 | 1210 | 1180 | 1140 | 1105 | 1070 | 1025 | 990 |
| | ON | ON | OFF | 1545 | 1515 | 1480 | 1445 | 1410 | 1380 | 1350 | 1315 | 1245 | 1175 |
| | ON | ON | ON | 1805 | 1765 | 1720 | 1665 | 1610 | 1540 | 1475 | 1400 | 1315 | 1235 |
| <i>Clg SW2:</i> | Maximum Clg Airflow ² | | | 1805 | 1765 | 1720 | 1665 | 1610 | 1540 | 1475 | 1400 | 1315 | 1235 |
| | High Heat Airflow ³ | | | 1520 | 1490 | 1455 | 1420 | 1385 | 1355 | 1320 | 1285 | 1220 | 1155 |
| <i>Heating (SW1)</i> | Low Heat Airflow ³ | | | 1180 | 1145 | 1095 | 1065 | 1030 | 985 | 945 | 910 | 860 | 820 |
| 60080 | | | | | | | | | | | | | |
| <i>Clg Default:</i> | OFF | OFF | OFF | 1905 | 1870 | 1825 | 1785 | 1750 | 1700 | 1665 | 1625 | 1560 | 1460 |
| | OFF | OFF | ON | 950 | 770 | 620 | 515 | 440 | 365 | | | | See note 4 |
| | OFF | ON | OFF | 1015 | 935 | 880 | 825 | 765 | 690 | 625 | 580 | | See note 4 |
| | OFF | ON | ON | 1155 | 1105 | 1040 | 990 | 920 | 875 | 815 | 755 | 710 | 645 |
| <i>Cooling (SW2)</i> | ON | OFF | OFF | 1335 | 1290 | 1245 | 1190 | 1145 | 1085 | 1040 | 990 | 930 | 890 |
| | ON | OFF | ON | 1520 | 1485 | 1435 | 1390 | 1340 | 1300 | 1255 | 1200 | 1160 | 1115 |
| | ON | ON | OFF | 1905 | 1870 | 1825 | 1785 | 1750 | 1700 | 1665 | 1625 | 1560 | 1460 |
| | ON | ON | ON | 2290 | 2230 | 2160 | 2085 | 2005 | 1915 | 1820 | 1730 | 1640 | 1525 |
| <i>Clg SW2:</i> | Maximum Clg Airflow ² | | | 2290 | 2230 | 2160 | 2085 | 2005 | 1915 | 1820 | 1730 | 1640 | 1525 |
| | High Heat Airflow ³ | | | 1575 | 1535 | 1485 | 1445 | 1400 | 1350 | 1310 | 1260 | 1215 | 1170 |
| <i>Heating (SW1)</i> | Low Heat Airflow ³ | | | 1230 | 1170 | 1125 | 1065 | 1015 | 955 | 900 | 855 | 795 | 755 |

NOTE: See notes at end of table.

926TA

AIR DELIVERY - CFM (CONTINUED)

| Unit Size | Cooling Switch Settings | | | External Static Pressure (ESP) | | | | | | | | | |
|----------------------|----------------------------------|-------|-------|--------------------------------|------|------|------|------|------------|------------|------|------------|------|
| | SW2-8 | SW2-7 | SW2-6 | 0.1 | 0.2 | 0.3 | 0.4 | 0.5 | 0.6 | 0.7 | 0.8 | 0.9 | 1.0 |
| 60100 | | | | | | | | | | | | | |
| <i>Clg Default:</i> | OFF | OFF | OFF | 1890 | 1845 | 1800 | 1755 | 1700 | 1655 | 1610 | 1560 | 1510 | 1460 |
| | OFF | OFF | ON | 1015 | 825 | 630 | 485 | 405 | 325 | See note 4 | | | |
| | OFF | ON | OFF | 1080 | 895 | 815 | 740 | 690 | 615 | 555 | 475 | See note 4 | |
| | OFF | ON | ON | 1155 | 1080 | 1020 | 940 | 890 | 825 | 785 | 710 | 660 | 590 |
| <i>Cooling (SW2)</i> | ON | OFF | OFF | 1310 | 1260 | 1195 | 1140 | 1075 | 1025 | 970 | 925 | 875 | 810 |
| | ON | OFF | ON | 1520 | 1475 | 1425 | 1365 | 1315 | 1255 | 1210 | 1155 | 1110 | 1055 |
| | ON | ON | OFF | 1890 | 1845 | 1800 | 1755 | 1700 | 1655 | 1610 | 1560 | 1510 | 1460 |
| | ON | ON | ON | 2290 | 2230 | 2160 | 2085 | 2005 | 1915 | 1820 | 1730 | 1640 | 1525 |
| <i>Clg SW2:</i> | Maximum Clg Airflow ² | | | 2290 | 2230 | 2160 | 2085 | 2005 | 1915 | 1820 | 1730 | 1640 | 1525 |
| | High Heat Airflow ³ | | | 1905 | 1865 | 1825 | 1775 | 1730 | 1685 | 1640 | 1590 | 1545 | 1490 |
| <i>Heating (SW1)</i> | Low Heat Airflow ³ | | | 1480 | 1435 | 1375 | 1330 | 1265 | 1215 | 1160 | 1115 | 1060 | 1005 |
| 66120 | | | | | | | | | | | | | |
| <i>Clg Default:</i> | OFF | OFF | OFF | 2010 | 1960 | 1910 | 1850 | 1800 | 1750 | 1690 | 1645 | 1565 | 1480 |
| | OFF | OFF | ON | 1015 | 805 | 645 | 550 | 480 | See note 4 | | | | |
| | OFF | ON | OFF | 1075 | 975 | 915 | 835 | 765 | See note 4 | | | | |
| | OFF | ON | ON | 1205 | 1135 | 1055 | 1000 | 935 | See note 4 | | | | |
| <i>Cooling (SW2)</i> | ON | OFF | OFF | 1400 | 1330 | 1260 | 1190 | 1145 | 1080 | 1035 | 970 | 905 | 845 |
| | ON | OFF | ON | 1615 | 1550 | 1500 | 1435 | 1370 | 1325 | 1265 | 1215 | 1160 | 1110 |
| | ON | ON | OFF | 2010 | 1960 | 1910 | 1850 | 1800 | 1750 | 1690 | 1645 | 1565 | 1480 |
| | ON | ON | ON | note 8 | 2375 | 2300 | 2205 | 2115 | 2010 | 1890 | 1750 | 1645 | 1550 |
| <i>Clg SW2:</i> | Maximum Clg Airflow ² | | | note 8 | 2375 | 2300 | 2205 | 2115 | 2010 | 1890 | 1750 | 1645 | 1550 |
| | High Heat Airflow ³ | | | note 8 | 2375 | 2300 | 2205 | 2115 | 2010 | 1890 | 1750 | 1645 | 1550 |
| <i>Heating (SW1)</i> | Low Heat Airflow ³ | | | 1735 | 1675 | 1625 | 1560 | 1500 | 1455 | 1395 | 1345 | 1285 | 1225 |

1. Nominal 350 CFM/ton cooling airflow is delivered with SW1-5 and SW2-2 set to OFF.
Set both SW1-5 and SW2-2 to ON for +7% airflow (nominal 370 CFM/ton).
Set SW1-5 to ON and SW2-2 to OFF for +15% airflow (nominal 400 CFM/ton).
Set SW2-2 to ON and SW1-5 to OFF for -7% airflow (nominal 325 CFM/ton).
The above adjustments in airflow are subject to motor horsepower range/capacity.
2. Maximum cooling airflow is achieved when switches SW2-6, SW2-7, SW2-8 and SW1-5 are set to ON, and SW2-2 is set to OFF.
3. All heating CFM's are when low heat rise adjustment switch (SW1-3) and comfort/efficiency adjustment switch (SW1-4) are both set to OFF.
4. Ductwork must be sized for high-heat CFM within the operational range of ESP. Operation within the blank areas of the chart is not recommended because high-heat operation will be above 1.0 ESP.
5. All airflows of 1880 CFM or less on 21" and 24.5" casing size furnaces are 5% less on side return only installations.
6. Return air above 1800 CFM on 24.5" casing requires two sides, one side and bottom, or bottom only to allow sufficient airflow to the furnace.
7. For upflow applications, air entering from one side into both the side of the furnace and a return air base counts as a side and bottom return.
8. Airflow not stable at this ESP.

926TA

MAXIMUM ALLOWABLE EXPOSED VENT LENGTH

Table 1 – Maximum Allowable Exposed Vent Lengths in Unconditioned Space Insulation Table – Ft.

| Winter Design Temp °F | Pipe Dia. in. | 40,000* BTUH | | | | | | | | | 60,000 BTUH | | | | | | | | | | | |
|-----------------------|---------------|--------------|----|-----|--------------------|----|-----|--------------------|----|-----|-------------|----|-----|--------------------|-----|----|--------------------|----|-----|----|-----|----|
| | | Uninsulated | | | 3/8-in. Insulation | | | 1/2-in. Insulation | | | Uninsulated | | | 3/8-in. Insulation | | | 1/2-in. Insulation | | | | | |
| | | 1 ½ | 2 | 2 ½ | 1 ½ | 2 | 2 ½ | 1 ½ | 2 | 2 ½ | 1 ½ | 2 | 2 ½ | 3 | 1 ½ | 2 | 2 ½ | 3 | 1 ½ | 2 | 2 ½ | 3 |
| 20 | 20 | 20 | 20 | 20 | 20 | 50 | 45 | 20 | 60 | 50 | 20 | 30 | 30 | 25 | 20 | 75 | 65 | 60 | 20 | 85 | 75 | 65 |
| 0 | 10 | 5 | 5 | 5 | 20 | 25 | 20 | 20 | 30 | 25 | 15 | 15 | 10 | 10 | 20 | 40 | 30 | 25 | 20 | 45 | 40 | 30 |
| -20 | 5 | | | | 20 | 15 | 10 | 20 | 20 | 15 | 10 | 5 | | | 20 | 25 | 20 | 15 | 20 | 30 | 25 | 20 |
| -40 | | | | | 15 | 10 | 5 | 15 | 15 | 10 | 5 | | | | 20 | 15 | 15 | 10 | 20 | 20 | 15 | 10 |

| Winter Design Temp °F | Pipe Dia. in. | 80,000 BTUH | | | | | | 100,000 BTUH | | | | | | | | |
|-----------------------|---------------|-------------|----|-----|--------------------|----|-----|--------------|-----|----|--------------------|-----|----|--------------------|----|---|
| | | Uninsulated | | | 3/8-in. Insulation | | | Uninsulated | | | 3/8-in. Insulation | | | 1/2-in. Insulation | | |
| | | 1 ½ | 2 | 2 ½ | 3 | 4 | 1 ½ | 2 | 2 ½ | 3 | 4 | 1 ½ | 2 | 2 ½ | 3 | 4 |
| 20 | 15 | 40 | 40 | 35 | 30 | 15 | 50 | 90 | 75 | 65 | 15 | 50 | 70 | 70 | 70 | |
| 0 | 15 | 20 | 15 | 10 | 5 | 15 | 50 | 45 | 35 | 30 | 15 | 50 | 50 | 40 | 35 | |
| -20 | 15 | 10 | 5 | | | 15 | 35 | 30 | 20 | 15 | 15 | 40 | 30 | 25 | 15 | |
| -40 | 10 | 5 | | | | 15 | 25 | 20 | 15 | 5 | 15 | 30 | 25 | 20 | 10 | |

| Winter Design Temp °F | Pipe Dia. in. | 100,000 BTUH | | | | | | 120,000 BTUH | | | | | | | | |
|-----------------------|---------------|--------------|-----|----|--------------------|----|-----|--------------|----|----|--------------------|----|---|--------------------|-----|---|
| | | Uninsulated | | | 3/8-in. Insulation | | | Uninsulated | | | 3/8-in. Insulation | | | 1/2-in. Insulation | | |
| | | 2 | 2 ½ | 3 | 4 | 2 | 2 ½ | 3 | 4 | 2 | 2 ½ | 3 | 4 | 2 | 2 ½ | 3 |
| 20 | 20 | 50 | 40 | 35 | 20 | 80 | 95 | 80 | 20 | 80 | 105 | 90 | | | | |
| 0 | 20 | 20 | 15 | 10 | 20 | 55 | 45 | 35 | 20 | 65 | 55 | 45 | | | | |
| -20 | 15 | 10 | 5 | | 20 | 35 | 30 | 20 | 20 | 45 | 35 | 25 | | | | |
| -40 | 10 | 5 | | | 20 | 25 | 20 | 10 | 20 | 30 | 25 | 15 | | | | |

| Winter Design Temp °F | Pipe Dia. in. | 120,000 BTUH | | | | | | 140,000 BTUH | | | | | | | | | | |
|-----------------------|---------------|--------------|----|----|--------------------|----|----|--------------|-----|---|--------------------|----|---|--------------------|-----|---|----|-----|
| | | Uninsulated | | | 3/8-in. Insulation | | | Uninsulated | | | 3/8-in. Insulation | | | 1/2-in. Insulation | | | | |
| | | 2 ½ | 3 | 4 | 2 ½ | 3 | 4 | 2 ½ | 3 | 4 | 2 ½ | 3 | 4 | 2 ½ | 3 | 4 | | |
| 20 | 10 | 50 | 40 | 10 | 75 | 95 | 10 | 75 | 105 | 5 | 55 | 50 | 5 | 65 | 105 | 5 | 65 | 125 |
| 0 | 10 | 20 | 15 | 10 | 55 | 45 | 10 | 65 | 50 | 5 | 25 | 15 | 5 | 65 | 50 | 5 | 65 | 60 |
| -20 | 10 | 10 | | 10 | 35 | 25 | 10 | 45 | 30 | 5 | 10 | 5 | 5 | 45 | 30 | 5 | 50 | 40 |
| -40 | 10 | 5 | | 10 | 25 | 15 | 10 | 30 | 20 | 5 | 5 | | 5 | 30 | 20 | 5 | 35 | 25 |

Maximum Allowable Exposed Vent Length in Unconditioned Space – Meters

| Winter Design Temp °C | Pipe Dia. mm | 40,000* BTUH | | | | | | | | | 60,000 BTUH | | | | | | | | | | |
|-----------------------|--------------|--------------|-----|-----|--------------------|------|-----|--------------------|------|-----|-------------|-----|-----|--------------------|------|------|--------------------|-----|------|------|------|
| | | Uninsulated | | | 3/8-in. Insulation | | | 1/2-in. Insulation | | | Uninsulated | | | 3/8-in. Insulation | | | 1/2-in. Insulation | | | | |
| | | 38 | 51 | 64 | 38 | 51 | 64 | 38 | 51 | 64 | 38 | 51 | 64 | 76 | 38 | 51 | 64 | 76 | 38 | 51 | 64 |
| -7 | 6.1 | 6.1 | 6.1 | 6.1 | 15.2 | 13.7 | 6.1 | 18.3 | 15.2 | 6.1 | 9.1 | 9.1 | 7.6 | 6.1 | 22.9 | 19.8 | 18.3 | 6.1 | 25.9 | 22.9 | 19.8 |
| -18 | 3.0 | 1.5 | 1.5 | 6.1 | 7.6 | 6.1 | 6.1 | 9.1 | 7.6 | 4.6 | 4.6 | 3.0 | 3.0 | 6.1 | 12.2 | 9.1 | 7.6 | 6.1 | 13.7 | 12.2 | 9.1 |
| -29 | 1.5 | | | 6.1 | 4.6 | 3.0 | 6.1 | 6.1 | 4.6 | 3.0 | 1.5 | | | 6.1 | 7.6 | 6.1 | 4.6 | 6.1 | 9.1 | 7.6 | 6.1 |
| -40 | | | | 4.6 | 3.0 | 1.5 | 4.6 | 4.6 | 3.0 | 1.5 | | | | 6.1 | 4.6 | 4.6 | 3.0 | 6.1 | 6.1 | 4.6 | 3.0 |

| Winter Design Temp °C | Pipe Dia. mm | 80,000 BTUH | | | | | | 100,000 BTUH | | | | | | | | |
|-----------------------|--------------|-------------|------|------|--------------------|-----|------|--------------|------|------|--------------------|------|------|--------------------|------|-----|
| | | Uninsulated | | | 3/8-in. Insulation | | | Uninsulated | | | 3/8-in. Insulation | | | 1/2-in. Insulation | | |
| | | 38 | 51 | 64 | 76 | 102 | 38 | 51 | 64 | 76 | 102 | 38 | 51 | 64 | 76 | 102 |
| -7 | 4.6 | 12.2 | 12.2 | 10.7 | 9.1 | 4.6 | 15.2 | 27.4 | 22.9 | 19.8 | 4.6 | 15.2 | 21.3 | 21.3 | 21.3 | |
| -18 | 4.6 | 6.1 | 4.6 | 3.0 | 1.5 | 4.6 | 15.2 | 13.7 | 10.7 | 9.1 | 4.6 | 15.2 | 15.2 | 12.2 | 10.7 | |
| -29 | 4.6 | 3.0 | 1.5 | | | 4.6 | 10.7 | 9.1 | 6.1 | 4.6 | 4.6 | 12.2 | 9.1 | 7.6 | 4.6 | |
| -40 | 3.0 | 1.5 | | | | 4.6 | 7.6 | 6.1 | 4.6 | 1.5 | 4.6 | 9.1 | 7.6 | 6.1 | 3.0 | |

| Winter Design Temp °C | Pipe Dia. mm | 100,000 BTUH | | | | | | 120,000 BTUH | | | | | | | | |
|-----------------------|--------------|--------------|------|------|--------------------|------|------|--------------|-----|------|--------------------|------|-----|--------------------|----|----|
| | | Uninsulated | | | 3/8-in. Insulation | | | Uninsulated | | | 3/8-in. Insulation | | | 1/2-in. Insulation | | |
| | | 51 | 64 | 76 | 102 | 51 | 64 | 76 | 102 | 51 | 64 | 76 | 102 | 51 | 64 | 76 |
| -7 | 6.1 | 15.2 | 12.2 | 10.7 | 6.1 | 24.4 | 28.9 | 24.4 | 6.1 | 24.4 | 32.0 | 27.4 | | | | |
| -18 | 6.1 | 6.1 | 4.6 | 3.0 | 6.1 | 16.8 | 13.7 | 10.7 | 6.1 | 19.8 | 16.7 | 13.7 | | | | |
| -29 | 4.6 | 3.0 | 1.5 | | 6.1 | 10.7 | 9.1 | 6.1 | 6.1 | 13.7 | 10.7 | 7.6 | | | | |
| -40 | 3.0 | 1.5 | | | 6.1 | 7.6 | 6.1 | 3.0 | 6.1 | 9.1 | 7.6 | 4.6 | | | | |

| Winter Design Temp °C | Pipe Dia. mm | 120,000 BTUH | | | | | | 140,000 BTUH | | | | | | | | | | |
|-----------------------|--------------|--------------|------|-----|--------------------|------|-----|--------------|------|-----|--------------------|------|-----|--------------------|------|-----|------|------|
| | | Uninsulated | | | 3/8-in. Insulation | | | Uninsulated | | | 3/8-in. Insulation | | | 1/2-in. Insulation | | | | |
| | | 64 | 76 | 102 | 64 | 76 | 102 | 64 | 76 | 102 | 64 | 76 | 102 | 64 | 76 | 102 | | |
| -7 | 3.0 | 15.2 | 12.2 | 3.0 | 22.9 | 28.9 | 3.0 | 22.9 | 32.0 | 1.5 | 16.7 | 15.2 | 1.5 | 19.8 | 32.0 | 1.5 | 19.8 | 38.1 |
| -18 | 3.0 | 6.1 | 4.6 | 3.0 | 16.8 | 13.7 | 3.0 | 19.8 | 15.2 | 1.5 | 7.6 | 4.6 | 1.5 | 19.8 | 15.2 | 1.5 | 19.8 | 18.3 |
| -29 | 3.0 | 3.0 | | 3.0 | 10.7 | 7.6 | 3.0 | 13.7 | 9.1 | 1.5 | 3.0 | 1.5 | 1.5 | 13.7 | 9.1 | 1.5 | 15.2 | 12.2 |
| -40 | 3.0 | 1.5 | | 3.0 | 7.6 | 4.6 | 3.0 | 9.1 | 6.1 | 1.5 | 1.5 | | 1.5 | 9.1 | 6.1 | 1.5 | 35 | 7.6 |

* Pipe length (ft) specified for maximum pipe lengths located in unconditioned spaces. Pipes located in unconditioned space cannot exceed total allowable pipe length calculated from Table 2.

† Insulation thickness based on R value of 3.5 per in.

926TA

MAXIMUM EQUIVALENT VENT LENGTH – FT. (M)

NOTE: Maximum Equivalent Vent Length (MEVL) includes standard and concentric vent termination and does NOT include elbows. Use Table 3 – Deductions from Maximum Equivalent Vent Length to determine allowable vent length for each application.

Table 2 – Maximum Equivalent Vent Length – Ft.

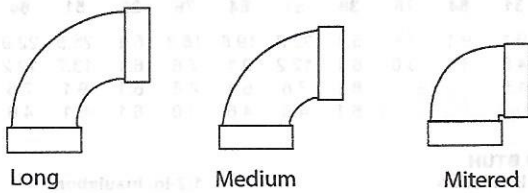
| Altitude (feet) | Unit Size | 40,000 ¹ | | | | 60,000 ² | | | | 80,000 | | | | 100,000 ³ | | | | 120,000 | | | |
|-----------------|----------------|---------------------|-----|-------|-----|---------------------|-----|-------|-----|--------|-----|-------|-----|----------------------|----|-------|-----|---------|-------|-----|-----|
| | | 1 1/2 | 2 | 2 1/2 | 3 | 1 1/2 | 2 | 2 1/2 | 3 | 1 1/2 | 2 | 2 1/2 | 3 | 4 | 2 | 2 1/2 | 3 | 4 | 2 1/2 | 3 | 4 |
| 0–2000 | Pipe Dia. (in) | 40 | 155 | 185 | 20 | 100 | 175 | 200 | 15 | 55 | 130 | 175 | 200 | 20 | 80 | 175 | 200 | 10 | 75 | 175 | 200 |
| 2001–3000 | | 35 | 150 | 175 | 20 | 95 | 165 | 185 | | 49 | 125 | 165 | 185 | 15 | 75 | 165 | 185 | 10 | 70 | 175 | 185 |
| 3001–4000 | | 30 | 135 | 160 | 16 | 90 | 155 | 175 | | 44 | 115 | 155 | 175 | 10 | 70 | 155 | 175 | 5 | 65 | 165 | 175 |
| 4001–4500 | | 25 | 130 | 155 | 15 | 85 | 150 | 170 | 10 | 44 | 110 | 150 | 165 | 10 | 65 | 150 | 165 | | 60 | 160 | 170 |
| 4501–5000 | | 20 | 120 | 130 | 15 | 80 | 145 | 165 | | 41 | 100 | 135 | 150 | 10 | 60 | 140 | 155 | | 55 | 155 | 170 |
| 5001–6000 | | 15 | 110 | 120 | 13 | 70 | 130 | 145 | | 38 | 90 | 125 | 140 | 10 | 60 | 135 | 145 | N/A | 50 | 140 | 155 |
| 6001–7000 | | 10 | 100 | 110 | 10 | 65 | 120 | 135 | N/A | 36 | 80 | 120 | 125 | 10 | 55 | 125 | 135 | | 46 | 130 | 145 |
| 7001–8000 | | 10 | 90 | 95 | 5 | 60 | 115 | 125 | N/A | 33 | 80 | 110 | 115 | N/A | 50 | 115 | 125 | | 43 | 120 | 135 |
| 8001–9000 | | 5 | 80 | 85 | N/A | 55 | 105 | 115 | | 30 | 75 | 100 | 105 | | 45 | 100 | 115 | | 39 | 115 | 130 |

Maximum Equivalent Vent Length – Meters

| Altitude (meters) | Unit Size | 40,000 ¹ | | | | 60,000 ² | | | | 80,000 | | | | 100,000 ³ | | | | 120,000 | | | |
|-------------------|----------------|---------------------|------|------|-----|---------------------|------|------|-----|--------|------|------|------|----------------------|------|------|------|---------|------|------|------|
| | | 38 | 51 | 64 | 76 | 38 | 51 | 64 | 76 | 38 | 51 | 64 | 76 | 102 | 51 | 64 | 76 | 102 | 64 | 76 | 102 |
| 0–610 | Pipe Dia. (mm) | 12.1 | 47.2 | 56.3 | 6.0 | 30.4 | 53.3 | 60.9 | 4.5 | 16.7 | 39.6 | 53.3 | 60.9 | 6.0 | 24.3 | 53.3 | 60.9 | 3.0 | 22.8 | 56.3 | 60.9 |
| 611–914 | | 10.6 | 45.7 | 53.3 | 6.0 | 28.9 | 50.2 | 56.3 | | 14.9 | 38.1 | 50.2 | 56.3 | 4.5 | 22.8 | 50.2 | 56.3 | 3.0 | 21.3 | 53.3 | 56.3 |
| 915–1219 | | 9.1 | 41.1 | 48.7 | 4.8 | 27.4 | 47.2 | 53.3 | | 13.4 | 35.0 | 47.2 | 53.3 | 4.5 | 21.3 | 47.2 | 53.3 | 1.5 | 19.8 | 50.2 | 53.3 |
| 1220–1370 | | 7.6 | 39.6 | 47.2 | 4.5 | 25.9 | 45.7 | 51.8 | 3.0 | 13.4 | 33.5 | 45.7 | 50.2 | 3.0 | 19.8 | 45.7 | 50.2 | | 18.2 | 48.7 | 51.8 |
| 1371–1524 | | 7.6 | 38.1 | 44.1 | 4.5 | 24.3 | 44.1 | 50.2 | | 12.4 | 30.4 | 44.1 | 48.7 | 3.0 | 19.8 | 42.6 | 47.2 | | 18.2 | 47.2 | 51.8 |
| 1525–1829 | | 6.0 | 36.5 | 39.6 | 3.9 | 22.8 | 42.6 | 47.2 | | 11.5 | 27.4 | 41.1 | 45.7 | 3.0 | 18.2 | 41.1 | 44.1 | NA | 15.2 | 42.6 | 47.2 |
| 1830–2134 | | 4.5 | 33.5 | 36.5 | 3.9 | 21.3 | 39.6 | 44.1 | NA | 10.9 | 27.4 | 38.1 | 42.6 | 3.0 | 16.7 | 38.1 | 41.1 | | 14.0 | 39.6 | 42.6 |
| 2135–2438 | | 3.0 | 30.4 | 33.5 | 3.0 | 19.8 | 36.5 | 41.1 | NA | 10.0 | 24.3 | 33.5 | 38.1 | NA | 15.2 | 35.0 | 38.1 | | 13.1 | 36.5 | 41.1 |
| 2439–2743 | | 3.0 | 27.4 | 28.9 | 1.5 | 18.2 | 35.0 | 38.1 | NA | 9.1 | 22.8 | 33.5 | 35.0 | NA | 13.7 | 30.4 | 35.0 | | 11.8 | 35.0 | 38.1 |
| 2744–3048 | | 1.5 | 24.3 | 25.9 | NA | 16.7 | 32.0 | 35.0 | | 9.1 | 22.8 | 30.4 | 32.0 | NA | 13.7 | 30.4 | 35.0 | | 11.8 | 35.0 | 38.1 |

1. Inducer Outlet Restrictor disk (P/N 337683–401; 1.25-in. (32 mm) Dia.) shipped in the loose parts bag or available through Replacement Components required under 10-ft. (3 M) TEVL in all orientations. Required for installations from 0 – 2000 (0 to 610 M) above sea level. Failure to use an outlet restrictor may result in flame disturbances or flame sense lock-out.
2. Inducer Outlet Restrictor disk (P/N 337683–401; 1.25-in. (32 mm) Dia.) available through Replacement Components required for no greater than 5-ft. (1.5 M) TEVL in downflow and horizontal orientations only. Required for installations from 0 – 2000 (0 to 610 M) above sea level.
3. Inducer Outlet Restrictor disk (P/N 337683–402; 1.50-in. (38 mm) Dia.) available through Replacement Components required for no greater than 5-ft. (1.5 M) TEVL in downflow and horizontal orientations only. Required for installations from 0 – 2000 (0 to 610 M) above sea level.

ELBOW CONFIGURATIONS



VENT TERMINAL CONFIGURATIONS

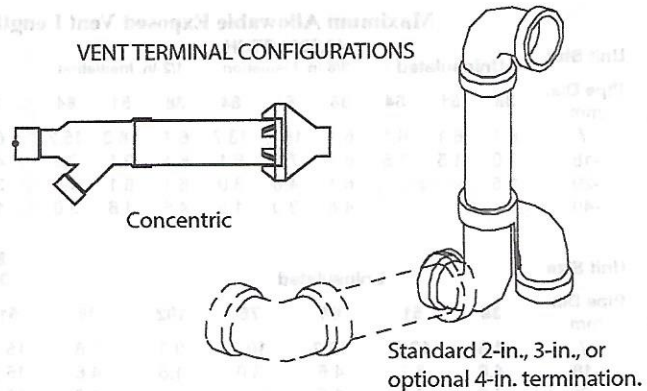


Table 3 – Deductions from Maximum Equivalent Vent Length – Ft. (M)

| Pipe Diameter (in): | 1-1/2 | 2 | 2-1/2 | 3 | 4 |
|-----------------------------|-----------|-----------|-----------|-----------|-----------|
| Mitered 90° Elbow | 8 (2.4) | 8 (2.4) | 8 (2.4) | 8 (2.4) | 8 (2.4) |
| Medium Radius 90° Elbow | 5 (1.5) | 5 (1.5) | 5 (1.5) | 5 (1.5) | 5 (1.5) |
| Long Radius 90° Elbow | 3 (0.9) | 3 (0.9) | 3 (0.9) | 3 (0.9) | 3 (0.9) |
| Mitered 45° Elbow | 4 (1.2) | 4 (1.2) | 4 (1.2) | 4 (1.2) | 4 (1.2) |
| Medium Radius 45° Elbow | 2.5 (0.8) | 2.5 (0.8) | 2.5 (0.8) | 2.5 (0.8) | 2.5 (0.8) |
| Long Radius 45° Elbow | 1.5 (0.5) | 1.5 (0.5) | 1.5 (0.5) | 1.5 (0.5) | 1.5 (0.5) |
| Tee | 16 (4.9) | 16 (4.9) | 16 (4.9) | 16 (4.9) | 16 (4.9) |
| Concentric Vent Termination | NA | 0 (0.0) | NA | 0 (0.0) | NA |
| Standard Vent Termination | 0 (0.0) | 0 (0.0) | 0 (0.0) | 0 (0.0) | 0 (0.0) |

NOTES:

1. Use only the smallest diameter pipe possible for venting. Over-sizing may cause flame disturbance or excessive vent terminal icing or freeze-up.
2. NA – Not allowed. Pressure switch will not close, or flame disturbance may result.
3. Not all furnace families include 140,000 BTUH input models.
4. Vent sizing for Canadian installations over 4500 ft (1370 M) above sea level are subject to acceptance by local authorities having jurisdiction.
5. Size both the combustion air and vent pipe independently, then use the larger size for both pipes.
6. Assume the two 45° elbows equal one 90° elbow. Wide radius elbows are desirable and may be required in some cases.
7. Elbow and pipe sections within the furnace casing and at the vent termination should not be included in vent length or elbow count.
8. The minimum pipe length is 5 ft. (2 M) linear feet (meters) for all applications.
9. Use 3-in. (76 mm) diameter vent termination kit for installations requiring 4-in. (102 mm) diameter pipe.

926TA

Venting System Length Calculations

The Total Equivalent Vent Length (TEVL) for EACH combustion air or vent pipe equals the length of the venting system, plus the equivalent length of elbows used in the venting system from Table 3.

Standard vent terminations or factory accessory concentric vent terminations count for zero deduction.

See vent system manufacturer's data for equivalent lengths of flexible vent pipe or other termination systems. **DO NOT ASSUME** that one foot of flexible vent pipe equals one foot of straight PVC/ABS DWV vent pipe.

Compare the Total Equivalent Vent Length to the Maximum Equivalent Vent Lengths in Table 2.

Example 1

A direct-vent 60,000 BTUH furnace installed at 2100 ft. (640M). Venting system includes **FOR EACH PIPE:**

70 feet (22 M) of vent pipe, 65 feet (20 M) of combustion air inlet pipe, (3) 90° long-radius elbows, (2) 45° long-radius elbows, and a factory accessory concentric vent kit.

Can this application use 2" (50 mm ND) PVC/ABS DWV vent piping?

| | | | | | | |
|---|---|---|--------------------|---|--------------------------|---|
| Measure the required linear length of air inlet and vent pipe; insert the longest of the two here | | | | | 70 ft. (22 M) | Use length of the longer of the vent or air inlet piping system |
| Add equiv length of (3) 90° long-radius elbows (use the highest number of elbows for either the vent or inlet pipe) | 3 | x | 3 ft. (0.9 M) | = | 9 ft. (2.7 M) | From Table 3. |
| Add equiv length of (2) 45° long-radius elbows (use the highest number of elbows for either the vent or inlet pipe) | 2 | x | 1.5 ft. (0.5 M) | = | 3 ft. (0.9 M) | From Table 3. |
| Add equiv length of factory concentric vent term | | | | | 0 ft. | From Table 3. |
| Add correction for flexible vent pipe, if any | | | | | 0 ft. | From Vent Manufacturer's instructions; zero for PVC/ABS DWV |
| Total Equivalent Vent Length (TEVL) | | | | | 82 ft. (25 M) | Add all of the above lines |
| Maximum Equivalent Vent Length (MEVL) | | | | | 95 ft. (29 M) | For 2" pipe from Table 2 |
| Is TEVL less than MEVL? | | | | | YES | Therefore, 2" pipe MAY be used |

Example 2

A direct-vent 60,000 BTUH furnace installed at 2100 ft. (640M). Venting system includes **FOR EACH PIPE:**

100 feet (30 M) of vent pipe, 95 feet (29 M) of combustion air inlet pipe, (3) 90° long-radius elbows, and a polypropylene concentric vent kit. Also includes 20 feet (6.1 M) of flexible polypropylene vent pipe, included within the 100 feet (30 M) of vent pipe.

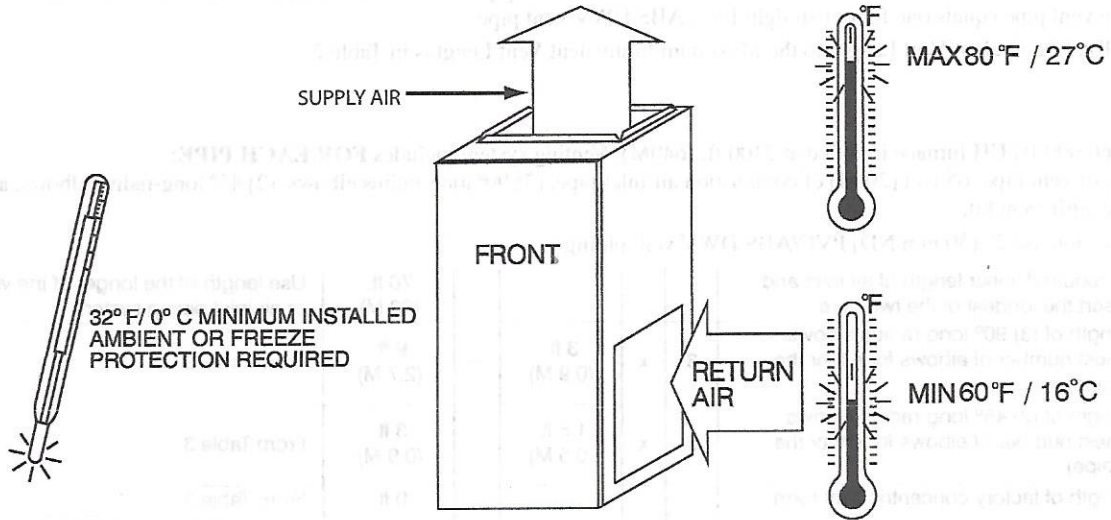
VERIFY FROM POLYPROPYLENE VENT MANUFACTURER'S INSTRUCTIONS for the multiplier correction for flexible vent pipe.

Can this application use 60mm o.d. (2") polypropylene vent piping? If not, what size piping can be used?

| | | | | | | |
|---|----|---|--------------------|---|---------------------------|--|
| Measure the required linear length of RIGID air inlet and vent pipe; insert the longest of the two here: 100 ft. Of rigid pipe – 20 ft. Of flexible pipe | | | | = | 80 ft. (24 M) | Use length of the longer of the vent or air inlet piping system |
| Add equiv length of (3) 90° long-radius elbows (use the highest number of elbows for either the vent or inlet pipe) | 3 | x | 5 ft. (1.5 M) | = | 15 ft. (4.6 M) | Example from polypropylene vent manufacturer's instructions, Verify from vent manufacturer's instructions. |
| Add equiv length of 45° long-radius elbows (use the highest number of elbows for either the vent or inlet pipe) | 0 | x | | = | 0 ft. (0 M) | |
| Add equiv length of factory concentric vent term | 9 | x | 3.3 ft. (0.9 M) | = | 30 ft. (9 M) | |
| Add correction for flexible vent pipe, if any | 2* | x | 20 ft. (6.1 M) | = | 36 ft. (11 M) | |
| Total Equivalent Vent Length (TEVL) | | | | | 165 ft. (50 M) | Add all of the above lines |
| Maximum Equivalent Vent Length (MEVL) | | | | | 95 ft. (29 M) | For 2" pipe from Table 2 |
| Is TEVL less than MEVL? | | | | | NO | Therefore, 60mm (2") pipe may NOT be used; try 80mm (3") |
| Maximum Equivalent Vent Length (MEVL) | | | | | 185 ft. (57 M) | For 3" pipe from Table 2 |
| Is TEVL less than MEVL? | | | | | YES | Therefore, 80mm (3") pipe MAY be used |

RETURN AIR TEMPERATURE

This furnace is designed for continuous return-air minimum temperature of 60°F (15°C) db or intermittent operation down to 55°F (13°C) db such as when used with a night setback thermometer. Return-air temperature must not exceed 80°F (27°C) db. Failure to follow these return air limits may affect reliability of heat exchangers, motors and controls.



926TA

A10490

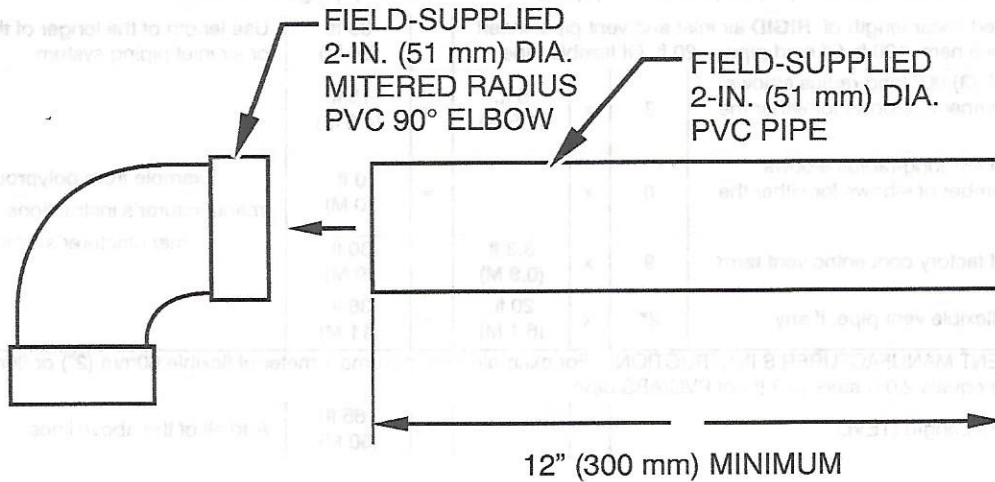
MINIMUM CLEARANCES TO COMBUSTIBLE MATERIALS

| POSITION | CLEARANCE |
|---|-----------------------------------|
| Rear | 0 (0 mm) |
| Front (Combustion air openings in furnace and in structure) Required for service** | 1 in. (25 mm) 24 in. (610 mm)* |
| All Sides of Supply Plenum** | 1 in. (25 mm) |
| Sides | 0 (0 mm) |
| Vent | 0 (0 mm) |
| Top of Furnace | 1 in. (25 mm) |

* Recommended

**Consult your local building codes

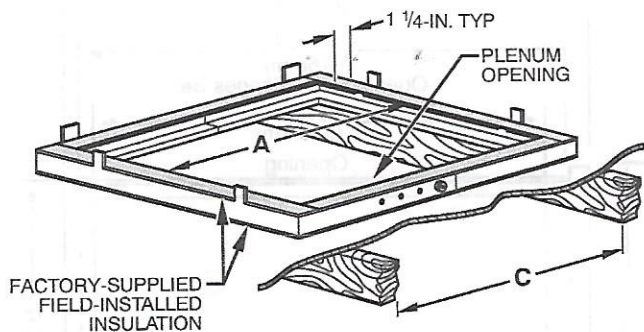
COMBUSTION-AIR PIPE FOR NON-DIRECT (1-PIPE) VENT APPLICATION



NOTE: See Installation Instructions for specific venting configurations.

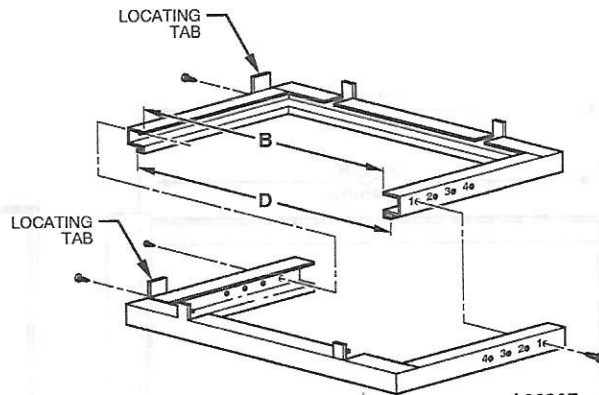
A12376

DOWNFLOW SUBBASE



A97427

Assembled

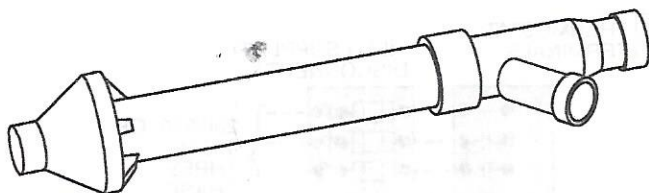


A88207

Disassembled

| DIMENSIONS (IN. / MM) | | | | | | |
|-----------------------|---|-----------------|----------|---------------|--------------|-------------------------------|
| FURNACE CASING WIDTH | FURNACE IN DOWNFLOW APPLICATION | PLENUM OPENING* | | FLOOR OPENING | | HOLE NO. FOR WIDTH ADJUSTMENT |
| | | A | B | C | D | |
| 14-3/16 (360) | Furnace with or without Cased Coil Assembly or Coil Box | 11-3/16 (322) | 19 (483) | 13-7/16 (341) | 20-5/8 (600) | 4 |
| 17-1/2 (445) | Furnace with or without Cased Coil Assembly or Coil Box | 15-1/8 (384) | 19 (483) | 16-3/4 (426) | 20-5/8 (600) | 3 |
| 21 (533) | Furnace with or without Cased Coil Assembly or Coil Box | 18-5/8 (396) | 19 (483) | 20-1/4 (514) | 20-5/8 (600) | 2 |
| 24-1/2 (622) | Furnace with or without Cased Coil Assembly or Coil Box | 22-1/8 (562) | 19 (483) | 23-3/4 (603) | 20-5/8 (600) | 1 |

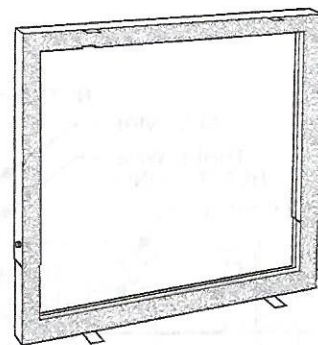
*The plenum should be constructed 1/4-in. (6 mm) smaller in width and depth than the plenum dimensions shown above.



Concentric Vent Kit

A93086

A concentric vent kit allows vent and combustion-air pipes to terminate through a single exit in a roof or side wall. One pipe runs inside the other allowing venting through the inner pipe and combustion air to be drawn in through the outer pipe.



Downflow Subbase

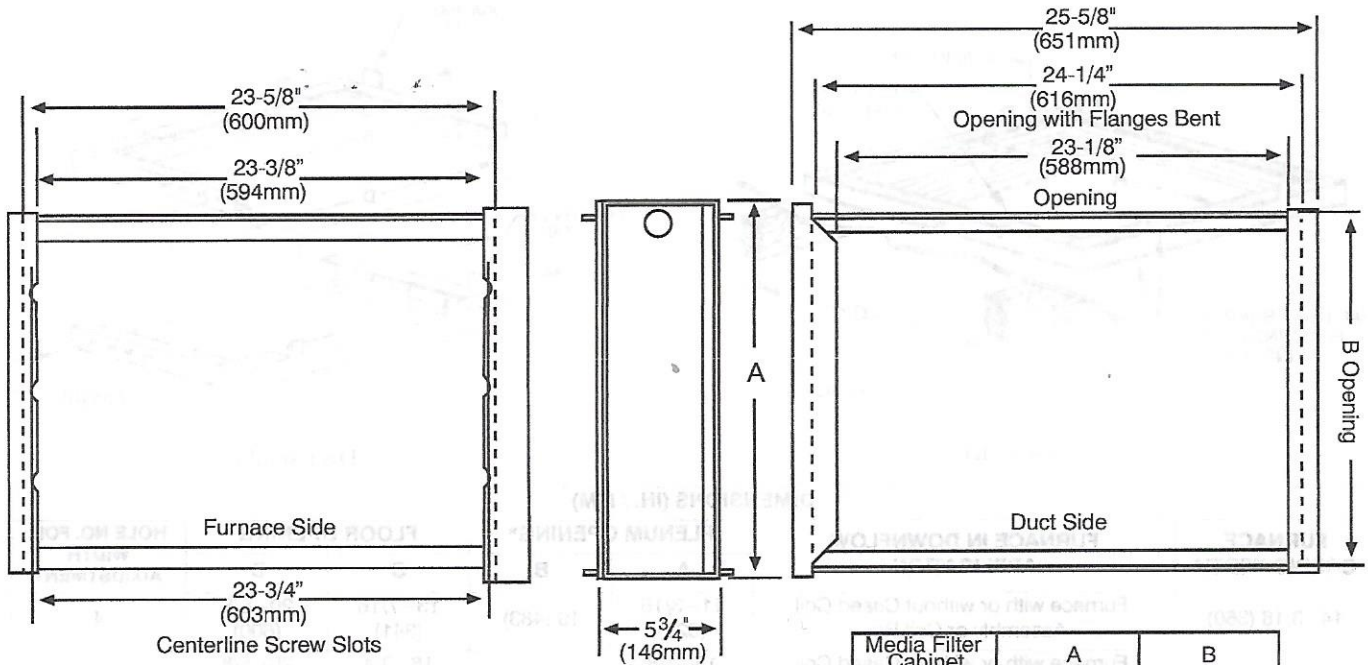
A88202

One base fits all furnace sizes. The base is designed to be installed between the furnace and a combustible floor when no coil box is used or when a coil box other than a Bryant cased coil is used. It is CSA design certified for use with Bryant branded furnaces when installed in downflow applications.

926TA

OPTIONAL MEDIA FILTER CABINET

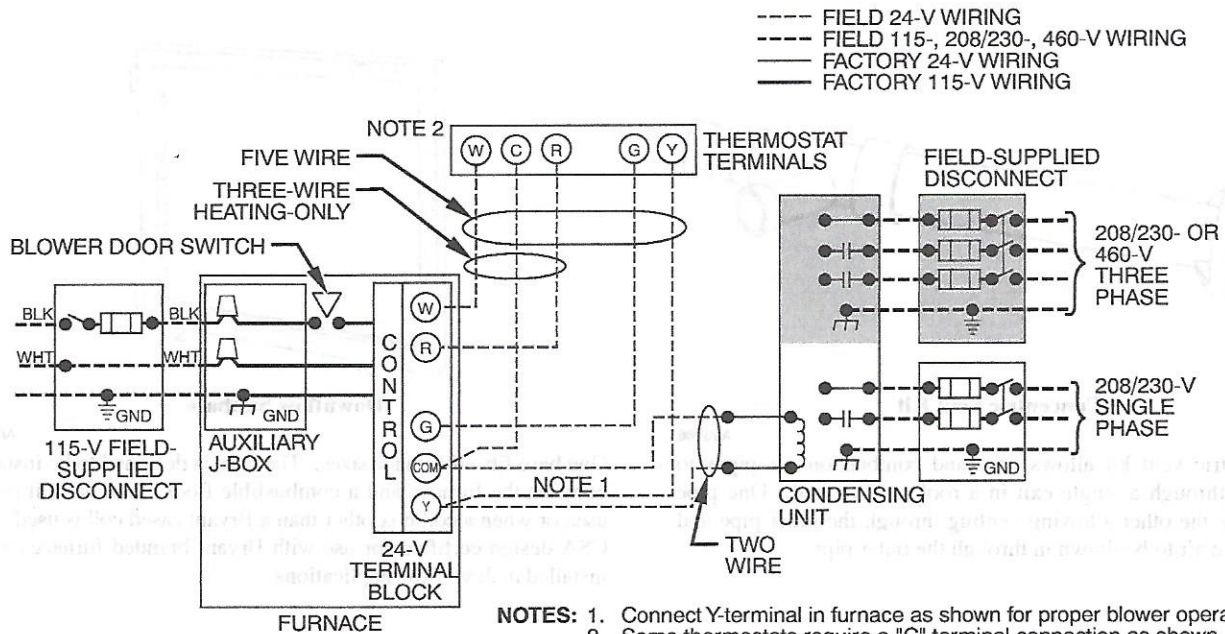
926TA



NOTE: Media cabinet is matched to the bottom opening on furnace. May also be used for side return.

A12428

TYPICAL WIRING SCHEMATIC

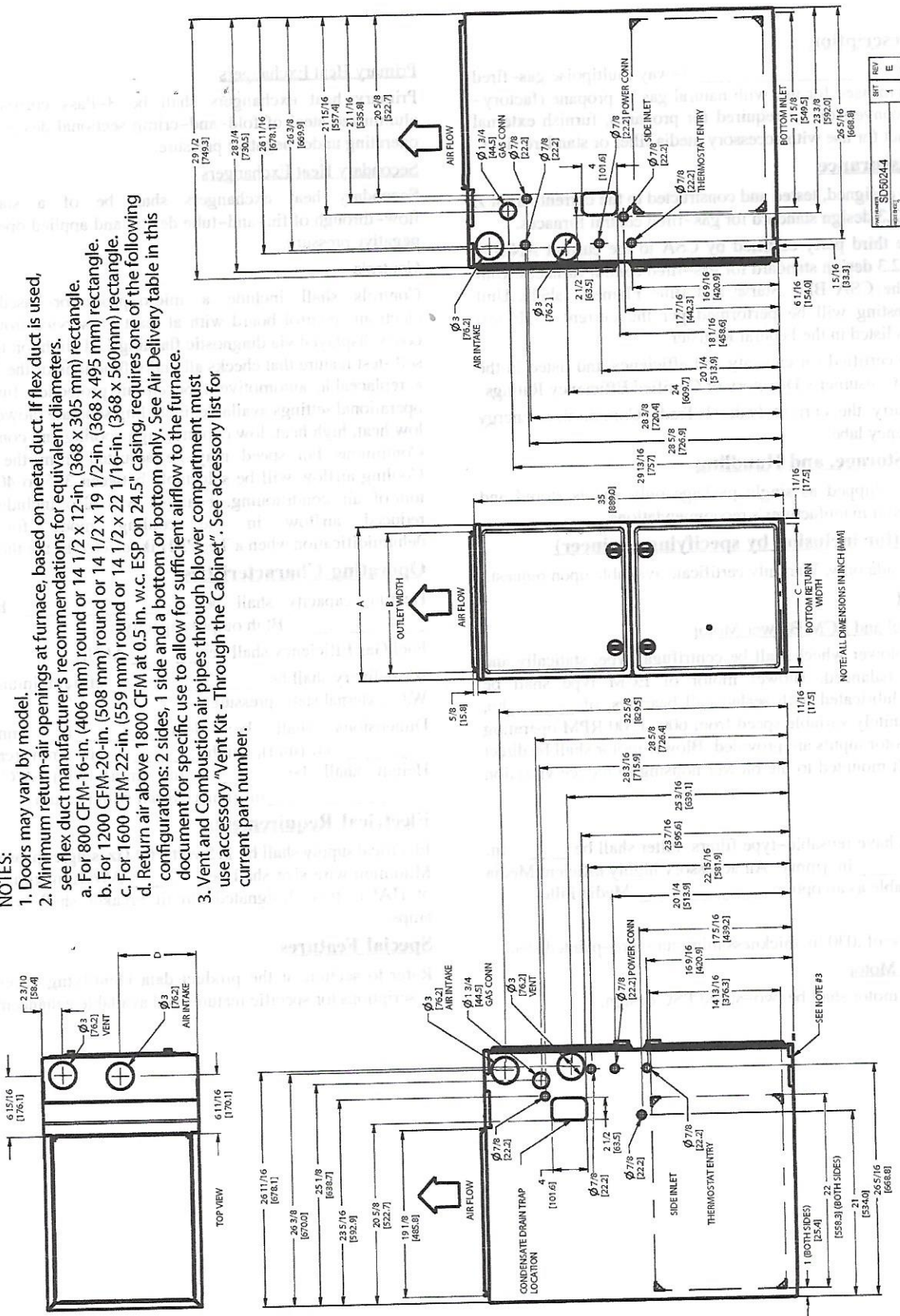


NOTES: 1. Connect Y-terminal in furnace as shown for proper blower operation.
 2. Some thermostats require a "C" terminal connection as shown.
 3. If any of the original wire, as supplied, must be replaced, use same type or equivalent wire.

A11387

DIMENSIONAL DRAWING

- NOTES:**
- Doors may vary by model.
 - Minimum return-air openings at furnace, based on metal duct, if flex duct is used, see flex duct manufacturer's recommendations for equivalent diameters.
 - For 800 CFM-16-in. (406 mm) round or 14 1/2 x 12-in. (368 x 305 mm) rectangle.
 - For 1200 CFM-20-in. (508 mm) round or 14 1/2 x 19 1/2-in. (368 x 495 mm) rectangle.
 - For 1600 CFM-22-in. (559 mm) round or 14 1/2 x 22 1/16-in. (368 x 560 mm) rectangle.
 - Return air above 1800 CFM at 0.5 in. w.c. ESP on 24.5" casing, requires one of the following configurations: 2 sides, 1 side and a bottom or bottom only. See Air Delivery table in this document for specific use to allow for sufficient airflow to the furnace.
 - Vent and Combustion air pipes through blower compartment must use accessory "Vent Kit - Through the Cabinet". See accessory list for current part number.



| | | | |
|---------|------|----|-----|
| REV | DATE | BY | CHK |
| 1 | | | |
| SDS0244 | | | |
| FURNACE | | | |

| 926TA FURNACE SIZE | A CABINET WIDTH | B OUTLET WIDTH | C BOTTOM INLET WIDTH | D AIR INTAKE | SHIP WT. LB (KG) |
|--------------------|-----------------|----------------|----------------------|--------------|------------------|
| 30040 | 14-3/16 (361) | 12-1/2 (319) | 12-9/16 (322) | 7-1/8 (181) | 121.0 (55.0) |
| 36060 | | | | | 130.5 (59.2) |
| 36040 | | | | | 131.5 (59.6) |
| 42060 | 17-1/2 (445) | 15-7/8 (403) | 16 (406) | 8-3/4 (222) | 142.0 (64.4) |
| 48080 | | | | | 152.0 (68.9) |
| 60080 | 21 (533) | 19-3/8 (492) | 19-1/2 (495) | 10-1/2 (267) | 156.0 (70.8) |
| 60100 | | | | | 166.0 (75.3) |
| 66120 | 24-1/2 (622) | 22-7/8 (581) | 23 (584) | 12-1/4 (311) | 190.0 (86.2) |

A12267

926TA

GUIDE SPECIFICATIONS

General

System Description

Furnish a _____ 4-way multipoise gas-fired condensing furnace for use with natural gas or propane (factory-authorized conversion kit required for propane); furnish external media cabinet for use with accessory media filter or standard filter.

Quality Assurance

Unit will be designed, tested and constructed to the current ANSI Z 21.47/CSA 2.3 design standard for gas-fired central furnaces.

Unit will be third party certified by CSA to the current ANSI Z 21.47/CSA 2.3 design standard for gas-fired central furnaces. Unit will carry the CSA Blue Star® and Blue Flame® labels. Unit efficiency testing will be performed per the current DOE test procedure as listed in the Federal Register.

Unit will be certified for capacity and efficiency and listed in the latest AHRI Consumer's Directory of Certified Efficiency Ratings.

Unit will carry the current Federal Trade Commission Energy Guide efficiency label.

Delivery, Storage, and Handling

Unit will be shipped as single package only and is stored and handled per unit manufacturer's recommendations.

Warranty (for inclusion by specifying engineer)

U.S. and Canada only. Warranty certificate available upon request.

Equipment

Blower Wheel and ECM Blower Motor

Galvanized blower wheel shall be centrifugal type, statically and dynamically balanced. Blower motor of ECM type shall be permanently lubricated with sealed ball bearings, of _____ hp, and have infinitely variable speed from 600–1200 RPM operating only when motor inputs are provided. Blower motor shall be direct drive and soft mounted to the blower housing to reduce vibration transmission.

Filters

Furnace shall have reusable-type filters. Filter shall be _____ in. (mm) X _____ in. (mm). An accessory highly efficient Media Filter is available as an option. _____ Media Filter.

Casing

Casing shall be of .030 in. thickness minimum, pre-painted steel.

Draft Inducer Motor

Draft inducer motor shall be two-speed PSC design.

Primary Heat Exchangers

Primary heat exchangers shall be 3-Pass corrosion-resistant aluminized steel of fold-and-crimp sectional design and applied operating under negative pressure.

Secondary Heat Exchangers

Secondary heat exchangers shall be of a stainless steel flow-through of fin-and-tube design and applied operating under negative pressure.

Controls

Controls shall include a micro-processor-based integrated electronic control board with at least 16 service troubleshooting codes displayed via diagnostic flashing LED light on the control, a self-test feature that checks all major functions of the furnace, and a replaceable automotive-type circuit protection fuse. Multiple operational settings available, including separate blower speeds for low heat, high heat, low cooling, high cooling and continuous fan. Continuous fan speed may be adjusted from the thermostat. Cooling airflow will be selectable between 325 to 400 CFM per ton of air conditioning. Features will also include temporary reduced airflow in the cooling mode for improved dehumidification when a T6-PRH is selected as the thermostat.

Operating Characteristics

Heating capacity shall be _____ Btuh input; _____ Btuh output capacity.

Fuel Gas Efficiency shall be _____ AFUE.

Air delivery shall be _____ cfm minimum at 0.50 in. W.C. external static pressure.

Dimensions shall be: depth _____ in. (mm); width _____ in. (mm); height _____ in. (mm) (casing only).

Height shall be _____ in. (mm) with A/C coil and _____ in. (mm) overall with plenum.

Electrical Requirements

Electrical supply shall be 115 volts, 60 Hz, single-phase (nominal). Minimum wire size shall be _____ AWG; maximum fuse size of HACR-type designated circuit breaker shall be _____ amps.

Special Features

Refer to section of the product data identifying accessories and descriptions for specific features and available enhancements.

926TA