

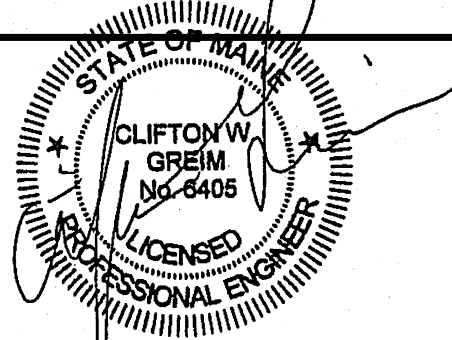
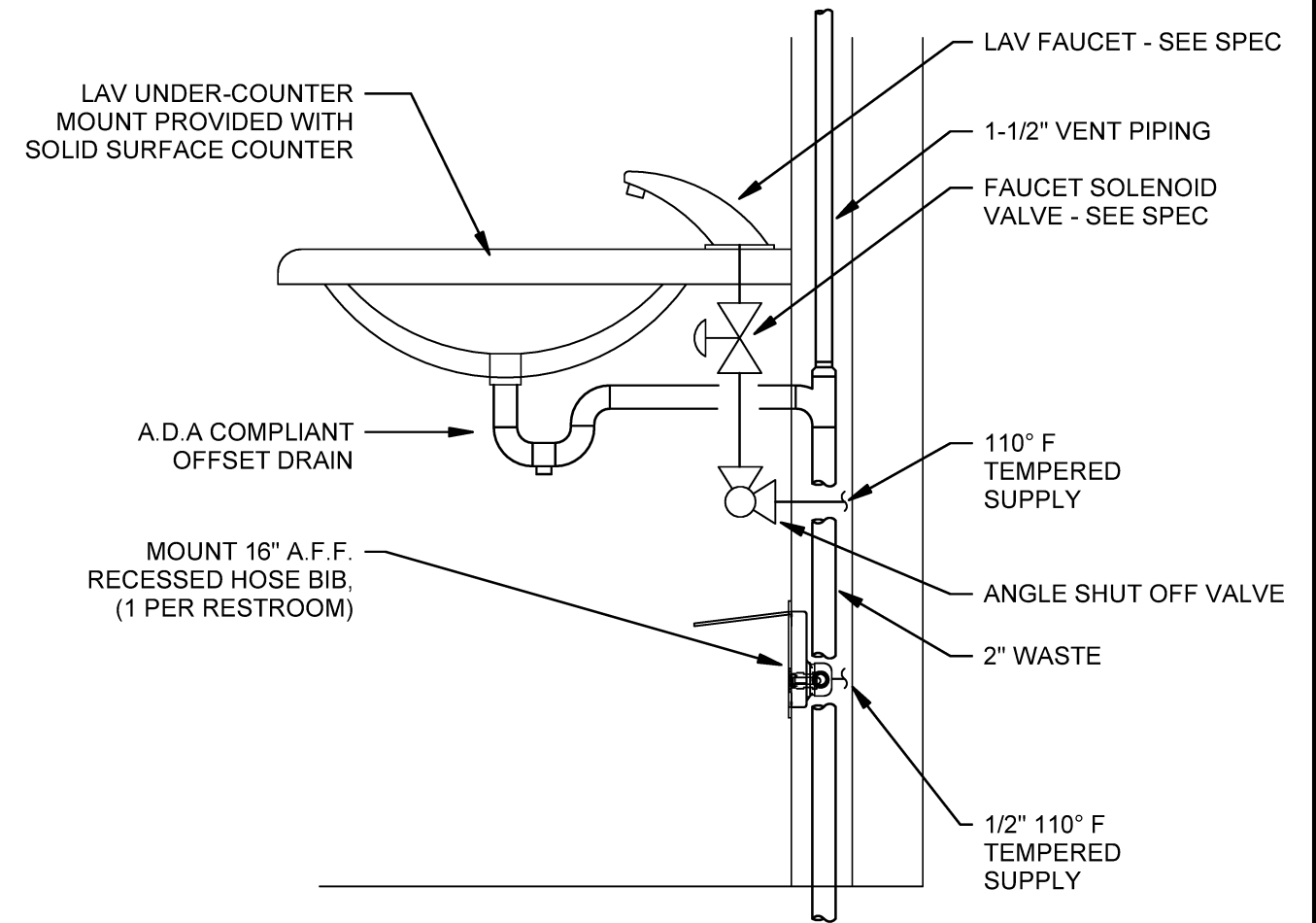
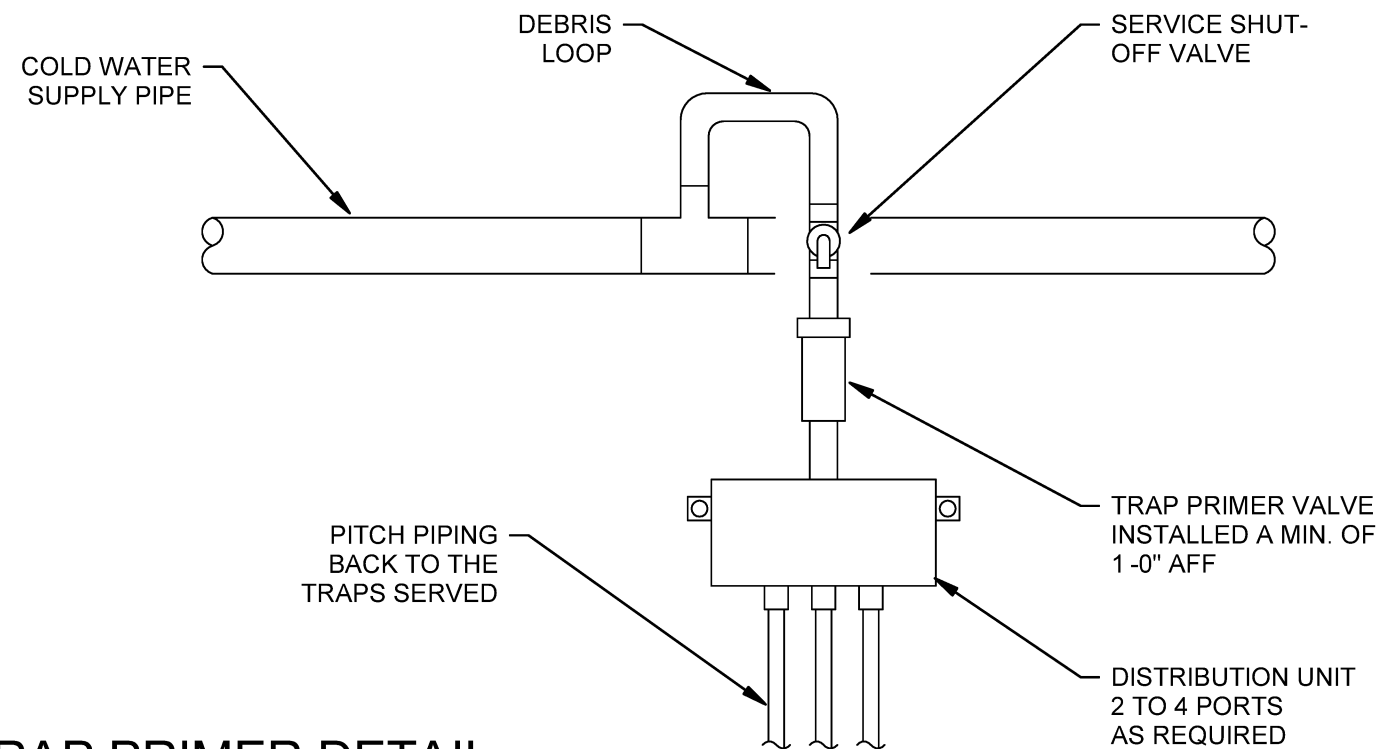
PLUMBING FIXTURE SCHEDULE

TAG	TYPE	LOCATION	MANUFACTURER	MODEL NO.	REMARKS
LAV-A	LAV SINK	PUBLIC RESTROOMS	AMERICAN STANDARD	AQUALYN 0475.047	PROVIDE DRAIN WITH OVERFLOW, OFFSET TAIL PIECE AND TRAP; PROVIDE SPECIFIED FAUCET FITTING
WC-1	WATER CLOSET	MAIN RESTROOMS	AMERICAN STANDARD	FLOWISE MODEL 3353.101	15" HIGH RIM (LESS SEAT)
WC-2	WATER CLOSET	MAIN RESTROOMS	AMERICAN STANDARD	FLOWISE MODEL 3353.101	16-1/2" HIGH RIM (LESS SEAT)
UR-1	URINAL	MAIN RESTROOMS	SLOAN	WEUS 1002.1301-0.025	-
MR-1	MOP RECEPTOR	JANITORS ROOM	FIAT	MB3624 WITH HOSE BRACKET, STAINLESS STEEL BUMPER GUARDS & MOP HANGER	PROVIDE CHICAGO FAUCET MODEL 445-PVBCP MOUNT FAUCET AT 36"

DRAIN SCHEDULE

BASIS OF DESIGN DRAIN SPECIFICATIONS REFER TO THE SPECIFICATIONS FOR APPROVED EQUALS AND DETAILED DESCRIPTIONS

TAG	DESCRIPTION	BRANCH SIZE		SPECIFICATIONS BASIS OF DESIGN	NOTES
		W	V		
FD-A	FLOOR DRAIN	2"	1 1/2"	WATTS ROUND HEAVY DUTY MODEL FD-100-2-A6-6-7	



NO	REVISIONS	DATE	BY
	ISSUED FOR REVIEW	11-10-16	ROM
	ISSUED FOR CONSTRUCTION	11-14-16	ROM

HARRIMAN
© 2016
Project No. 16166

Auburn, ME 207.784.5100
Portland, ME 207.775.0053
Portsmouth, NH 603.626.1242
Boston, MA 617.426.5050

DWG TITLE: SCHEDULES & DETAILS	SCALE: 1/8" = 1'-0"
LOCATION: PRODUCE COOLER AND RESTROOMS PORTLAND, ME	DRAWN: MAM
	DATE: 11-14-16
	DRAWING NO. P601
	Store No. 8351