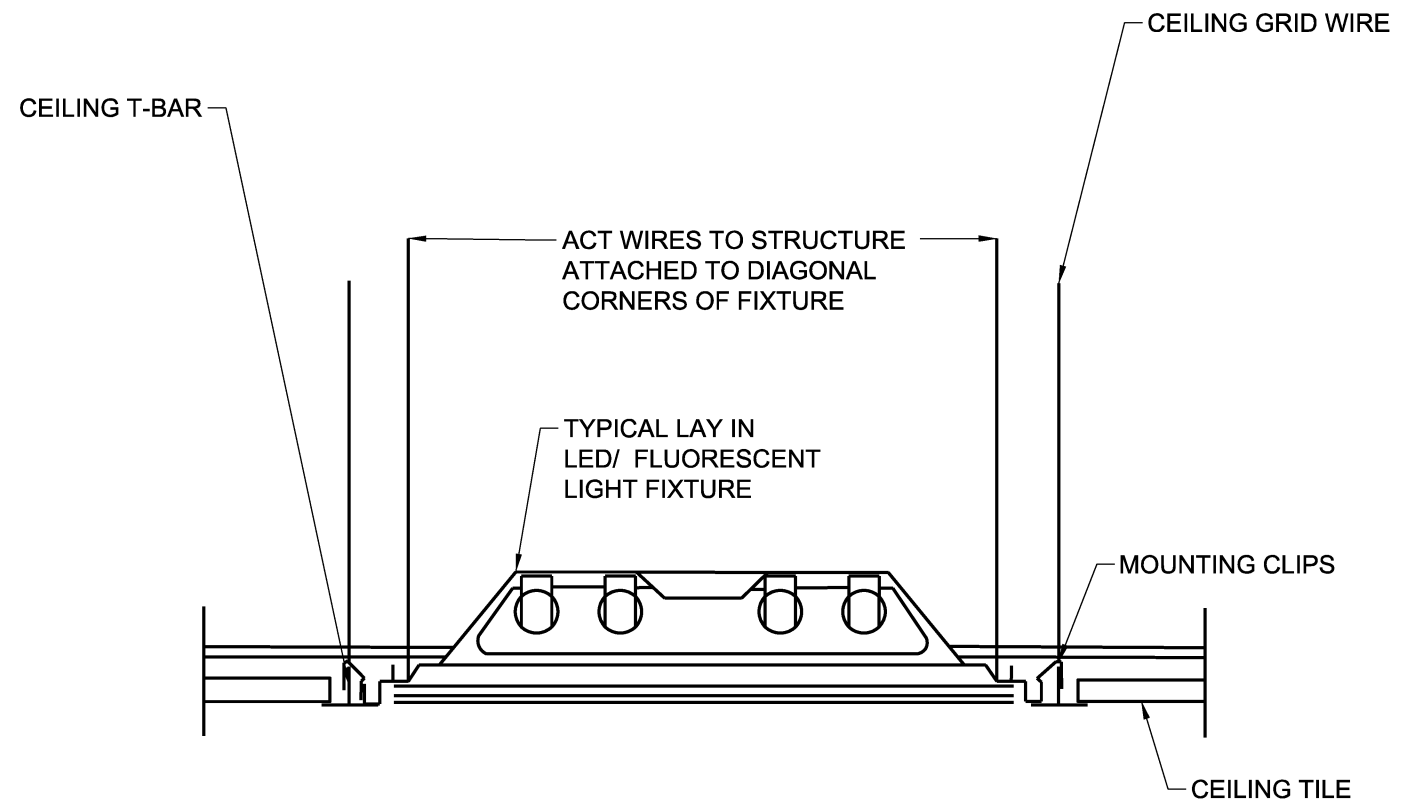
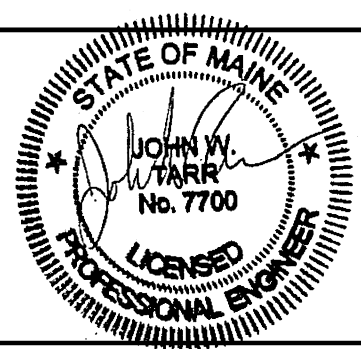


A1
E502
COOLER PENETRATION DETAIL
NTS



A2
E502
FIXTURE SUPPORT
NTS



NO	REVISIONS	DATE	BY
0	ISSUED FOR REVIEW	11-10-16	JWT
0	ISSUED FOR CONSTRUCTION	11-14-16	JWT

HARRIMAN
© 2016
Project No. 16166

Auburn, ME 207.784.5100
Portland, ME 207.775.0053
Portsmouth, NH 603.626.1242
Boston, MA 617.426.5050

DWG TITLE: **ELECTRICAL DETAILS**
LOCATION: **PRODUCE COOLER AND RESTROOMS
PORTLAND, ME**

SCALE: **NO SCALE**
DRAWN: **PCN**
DATE: **11-14-2016**
DRAWING NO.: **E502**
Store No. **8351**