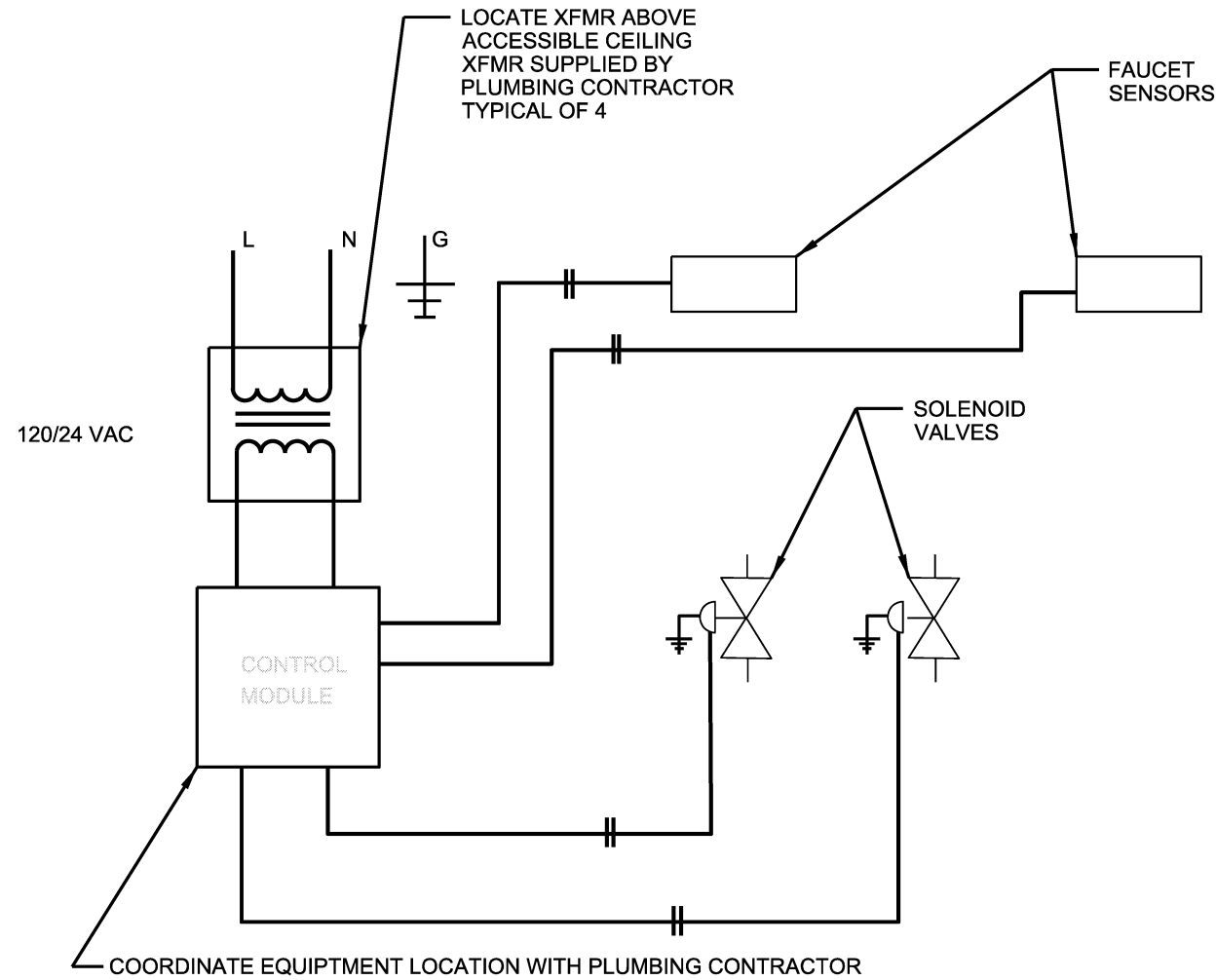
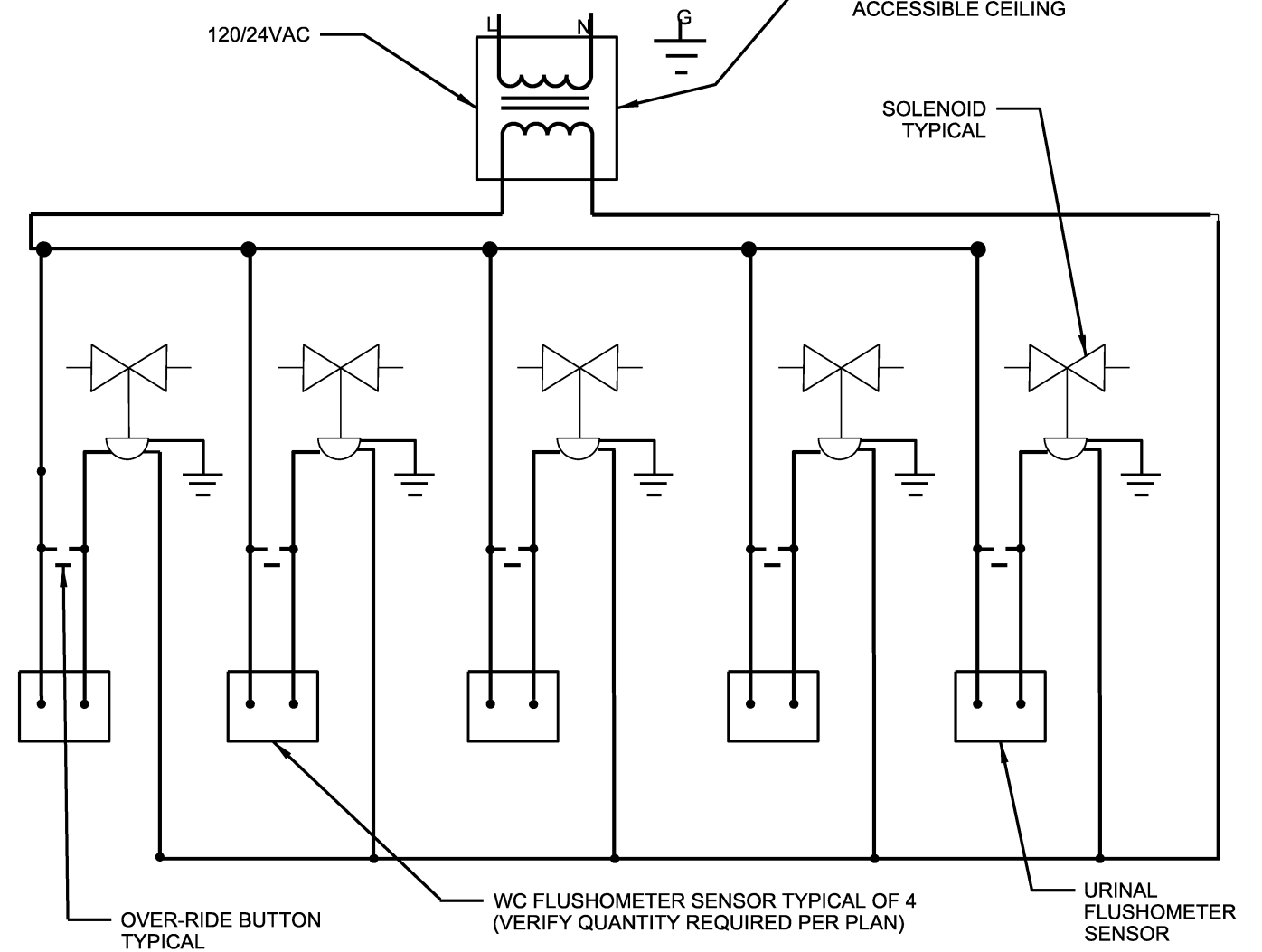


* VERIFY QUANTITIES PER PLAN

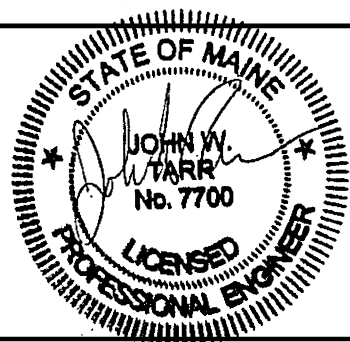


A1 RESTROOM LAVATORY WIRING DETAIL
E501 NTS

* VERIFY QUANTITIES PER PLAN



A2 RESTROOM FLUSHOMETER WIRING DIAGRAM
E501 NTS



NO	REVISIONS	DATE	BY
0	ISSUED FOR REVIEW	11-10-16	JWT
0	ISSUED FOR CONSTRUCTION	11-14-16	JWT

HARRIMAN

Auburn, ME 207.784.5100
 Portland, ME 207.775.0053
 Portsmouth, NH 603.626.1242
 Boston, MA 617.426.5050
 © 2016

Project No. 16166

DWG TITLE: ELECTRICAL DETAILS
 LOCATION: PRODUCE COOLER AND RESTROOMS
 PORTLAND, ME

SCALE NO SCALE
 DRAWN PCN
 DATE: 11-14-2016
 DRAWING NO.
E501
 Store No. 8351