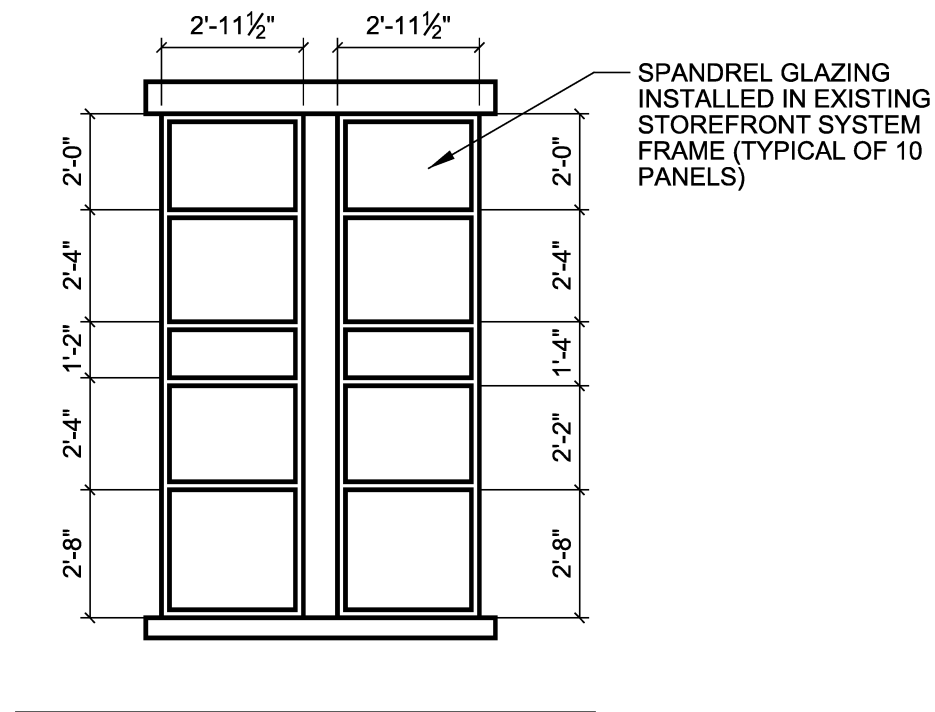


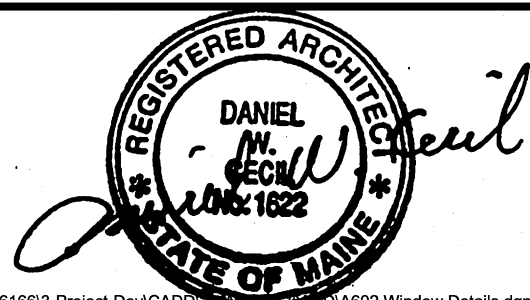
# WINDOW SCHEDULE

TYPE	GLAZING		FRAME		DETAILS			REMARKS
	TYPE	MATERIAL	COLOR	HEAD	JAMB	SILL		
A	SPANDREL	EXISTING	EXISTING	EXIST	EXIST	EXIST	SPANDREL GLAZING INSTALLED IN EXISTING STOREFRONT	



A

1 ELEVATION - A  
 SCALE:  $\frac{1}{4}'' = 1'-0''$



NO	REVISIONS	DATE	BY
0	ISSUED FOR REVIEW	11-10-16	MJW
0	ISSUED FOR CONSTRUCTION	11-14-16	MJW

**HARRIMAN**

© 2016

Auburn, ME 207.784.5100  
 Portland, ME 207.775.0053  
 Portsmouth, NH 603.626.1242  
 Boston, MA 617.426.5050

Project No. 16166

DWG TITLE: WINDOW ELEVATION, DETAILS & SCHEDULE

LOCATION: PRODUCE COOLER AND RESTROOMS  
PORTLAND, ME

SCALE AS NOTED

DRAWN MJW

DATE: 11-14-2016

DRAWING NO.

## A602

Store No. 8351