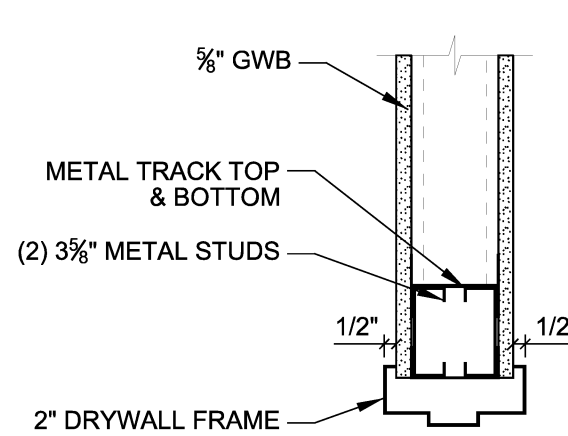


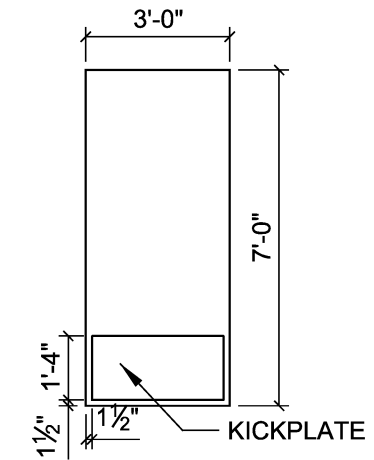
DOOR AND FRAME SCHEDULE

		DOOR					FRAME					REMARKS		
		SIZE	MAT	TYPE	LOUVER	MAT	TYPE	DETAILS			FIRE	HDW		
DR NO	ROOM NAME							HEAD	JAMB	SILL				
1	JANITOR CLOSET	3'-0" x 7'-0" x 1 3/4"	WD	1	-	-	HM	A	A	1	-	-	12	1" UNDERCUT ON DOOR



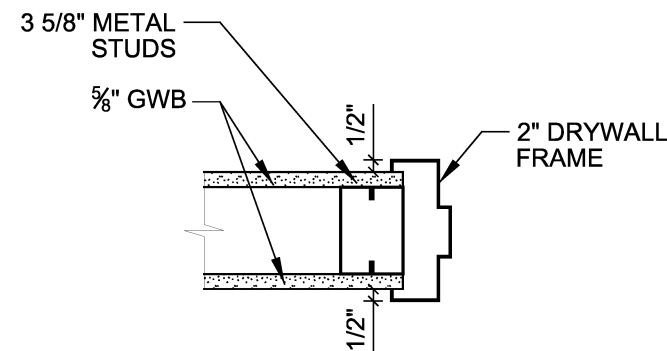
(A)

1 HEAD DETAIL - A
SCALE : 1 1/2" = 1'-0"



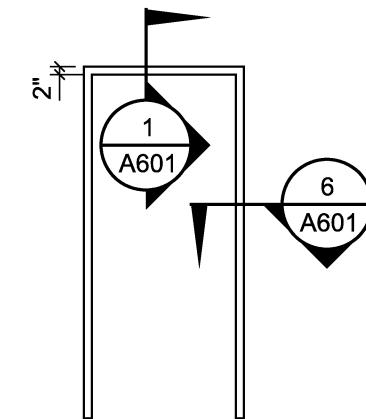
(1)

4 DOOR TYPE - 1
SCALE : 1/4" = 1'-0"



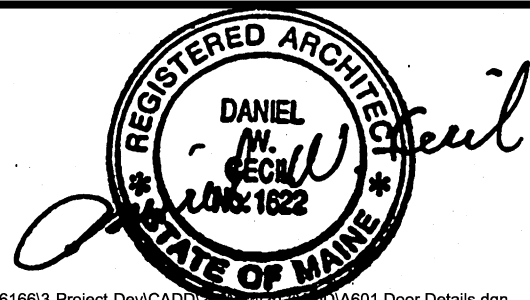
(1)

6 JAMB DETAIL - 1
SCALE : 1 1/2" = 1'-0"



(A)

8 FRAME TYPE - A
SCALE : 1/4" = 1'-0"



NO	REVISIONS	DATE	BY
0	ISSUED FOR REVIEW	11-10-16	MJW
0	ISSUED FOR CONSTRUCTION	11-14-16	MJW

Auburn, ME
207.784.5100

Portland, ME
207.775.0053

Portsmouth, NH
603.626.1242

Boston, MA
617.426.5050

© 2016

HARRIMAN

Project No. 16166

DWG TITLE: DOOR SCHEDULE AND DETAILS

LOCATION: PRODUCE COOLER AND RESTROOMS
PORTLAND, ME

SCALE AS NOTED

DRAWN MJW

DATE: 11-14-2016

DRAWING NO.
A601

Store No. 8351