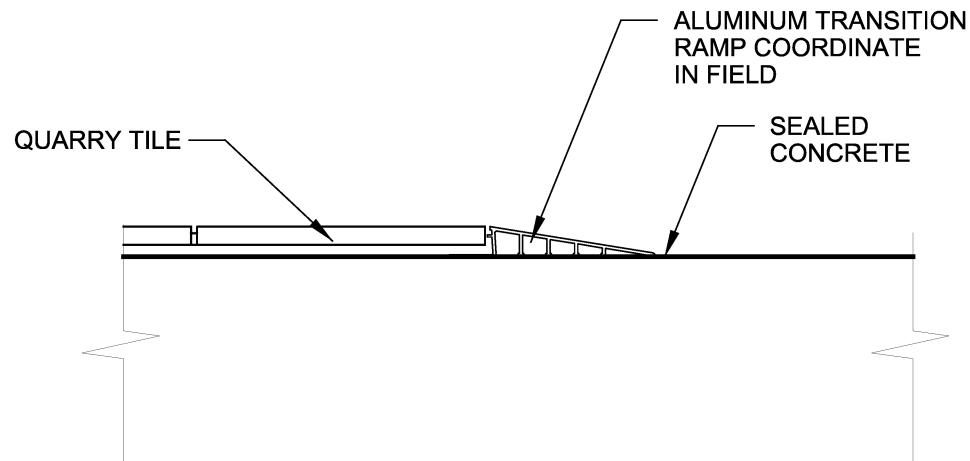
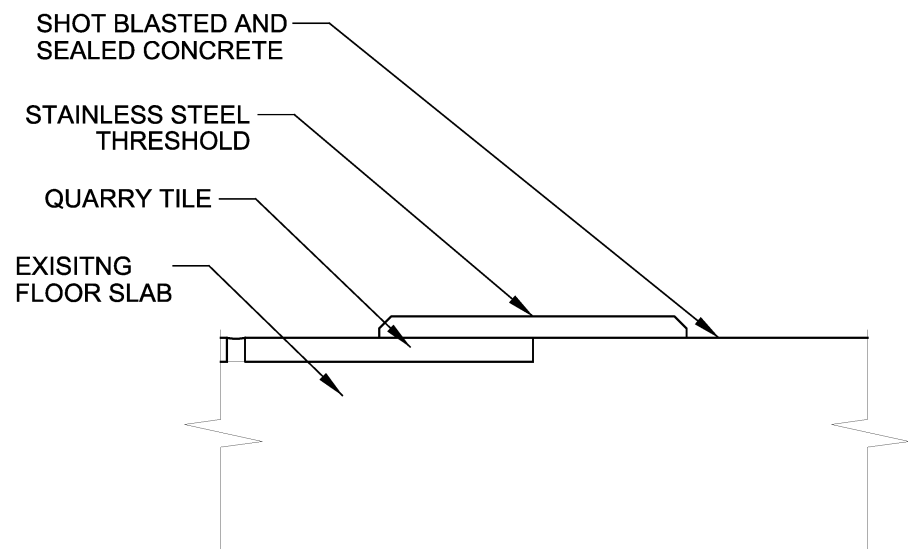


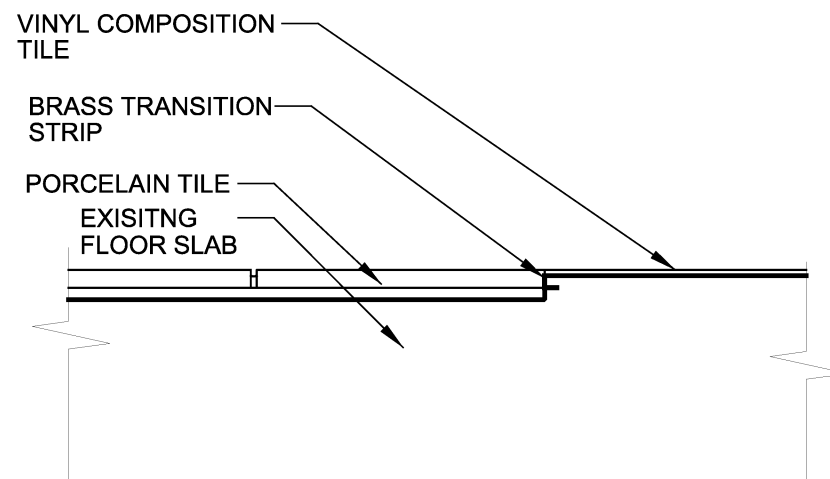
A1 PALLET BUMPER DETAIL
A101 3"=1'-0"



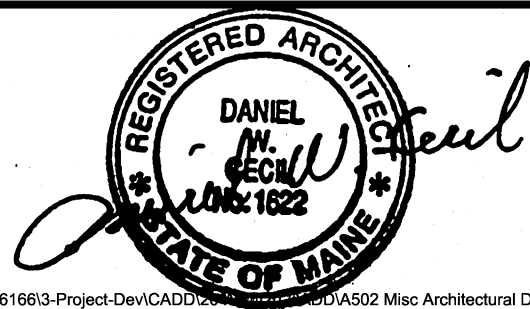
A2 QUARRY TILE TO CONCRETE TRANSITION
A102 3"=1'-0"



B1 QUARRY TILE TO VCT TRANSITION
A102 3"=1'-0"



B2 PORCELAIN TILE TO VCT TRANSITION
A102 3"=1'-0"



NO	REVISIONS	DATE	BY
0	ISSUED FOR REVIEW	11-10-16	MJW
0	ISSUED FOR CONSTRUCTION	11-14-16	MJW

HARRIMAN
 Project No. 16166

Auburn, ME 207.784.5100
 Portland, ME 207.775.0053
 Portsmouth, NH 603.626.1242
 Boston, MA 617.426.5050
 © 2016

DWG TITLE: MISC. ARCHITECTURAL DETAILS
 LOCATION: PRODUCE COOLER AND RESTROOMS
 PORTLAND, ME

SCALE AS NOTED
 DRAWN MJW
 DATE: 11-14-2016
 DRAWING NO.
A502
 Store No. 8351