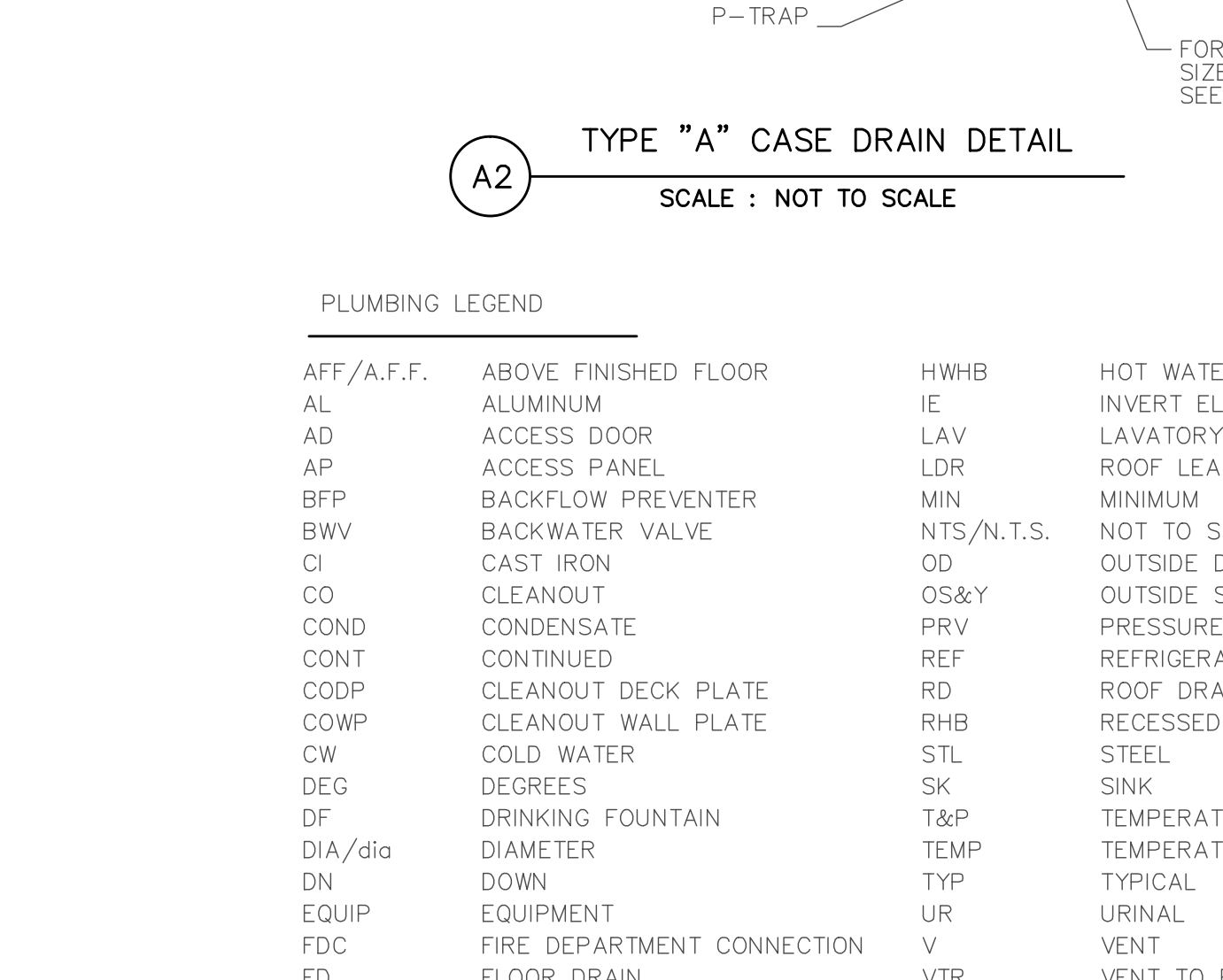
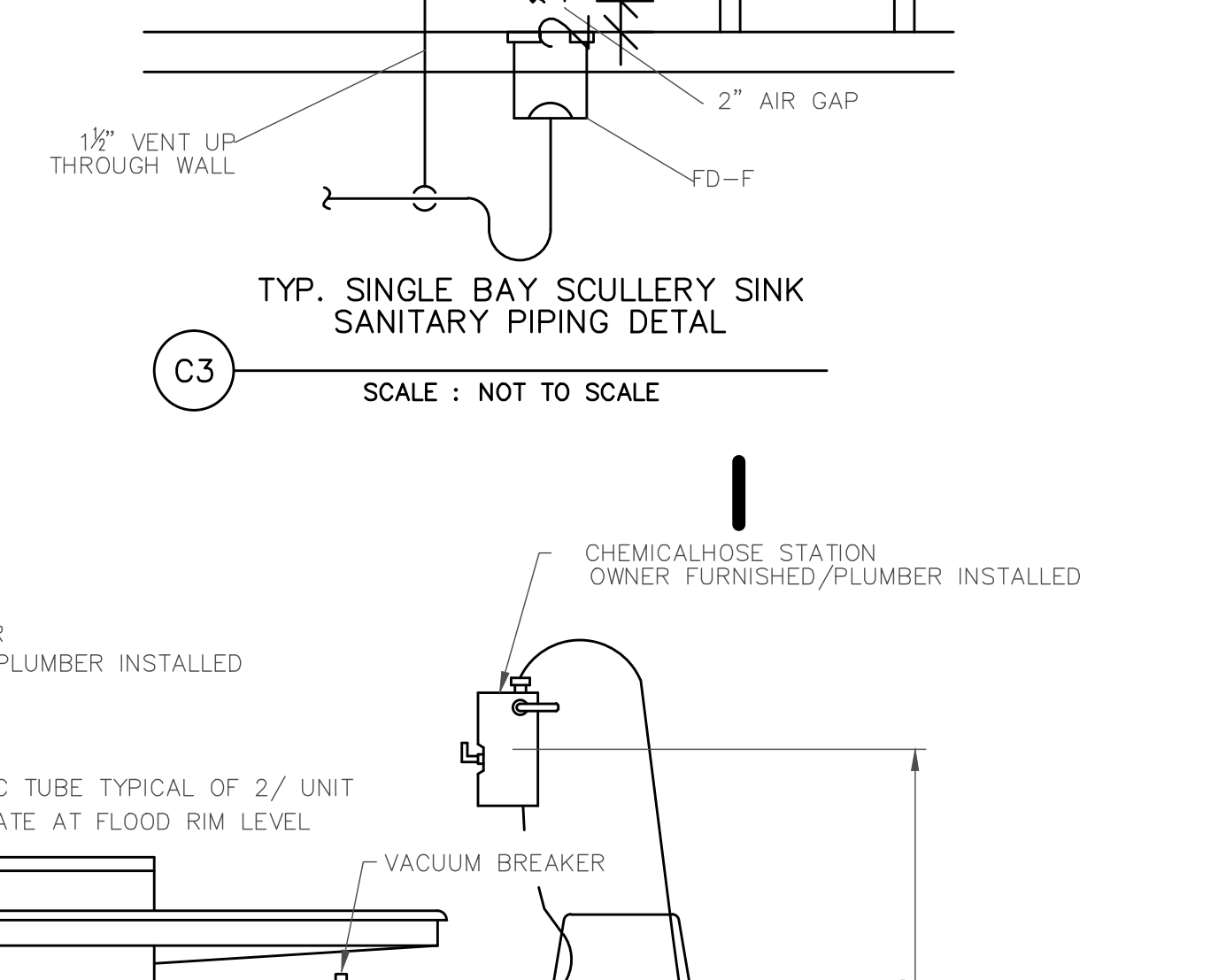
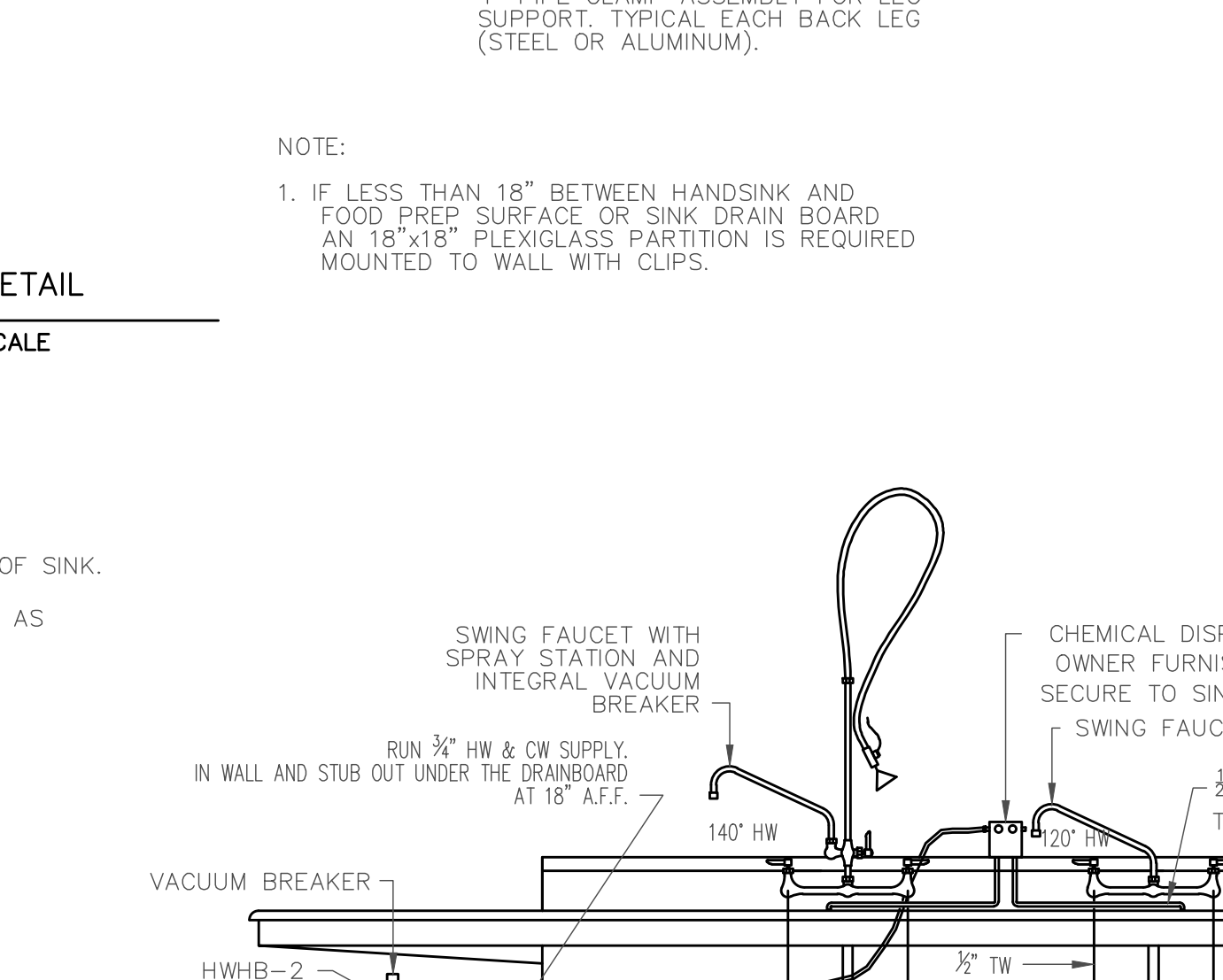
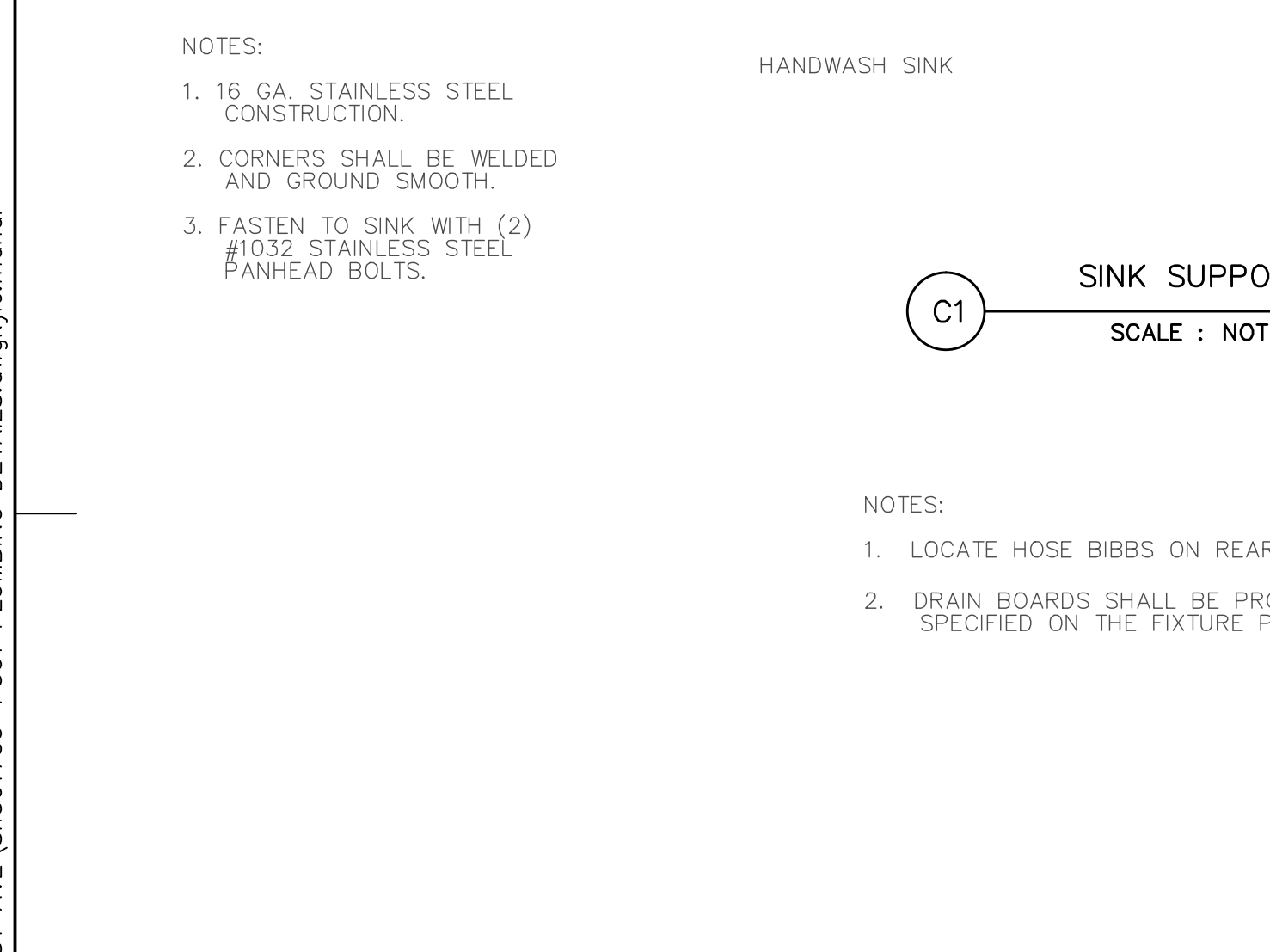
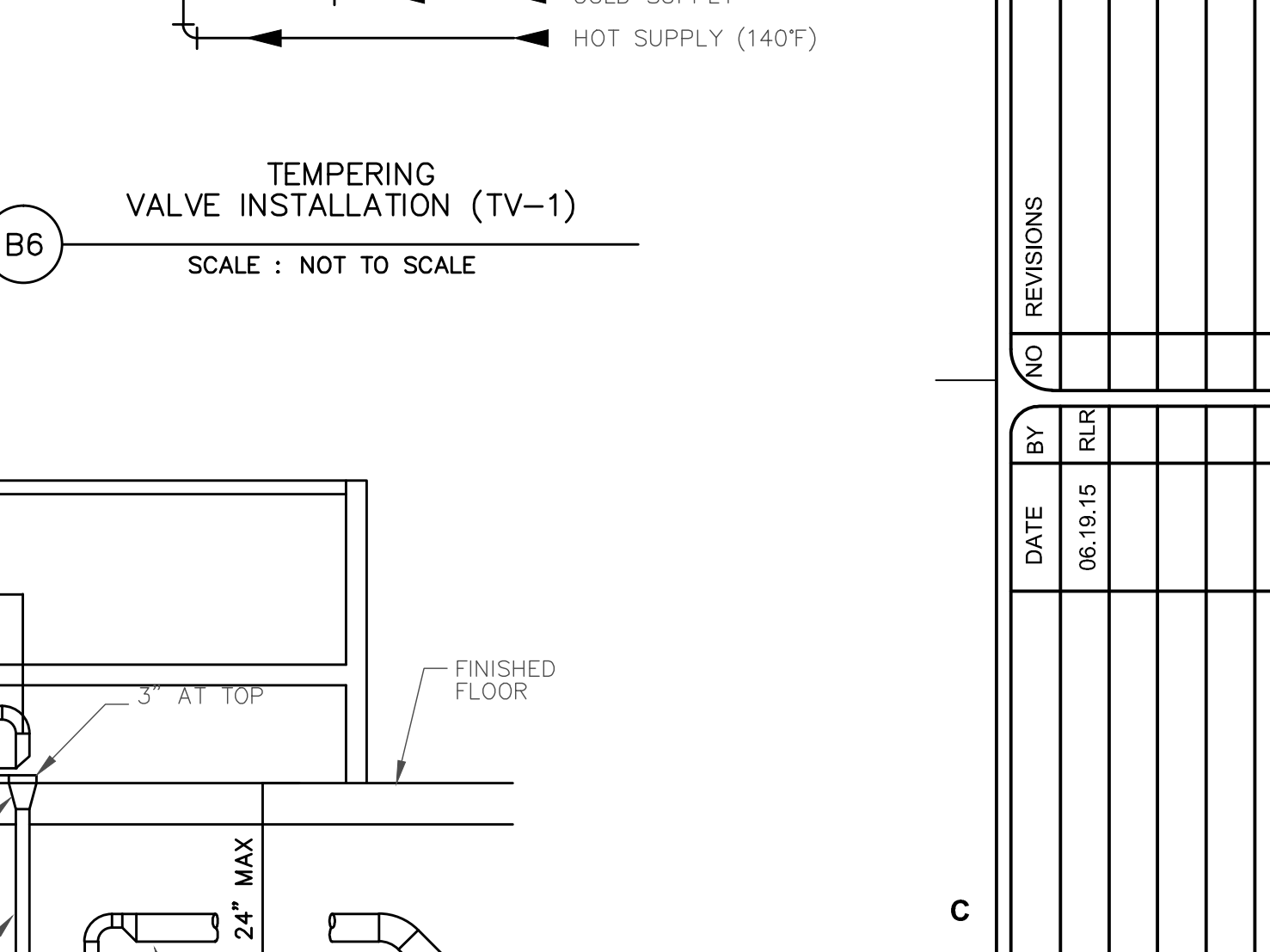
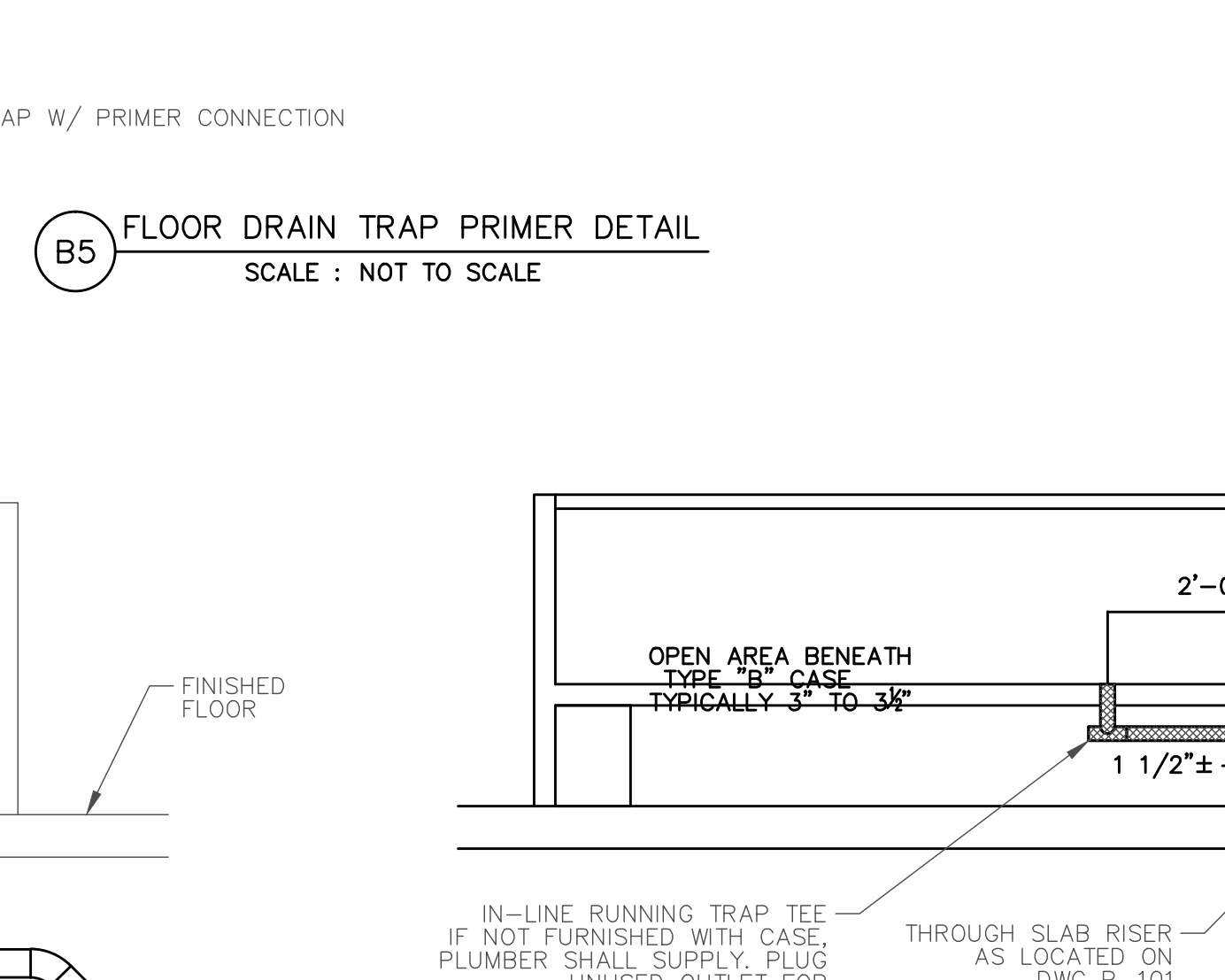
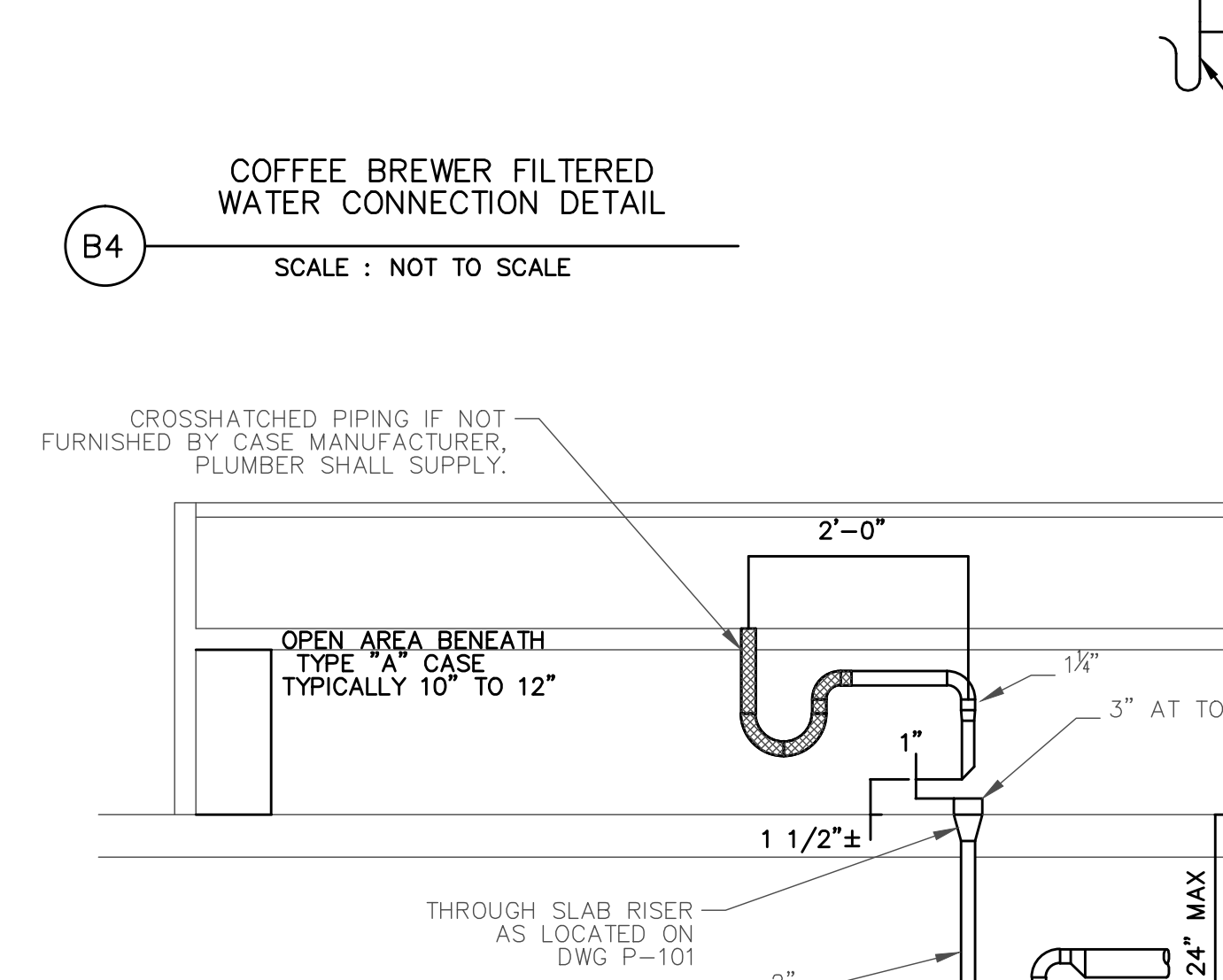
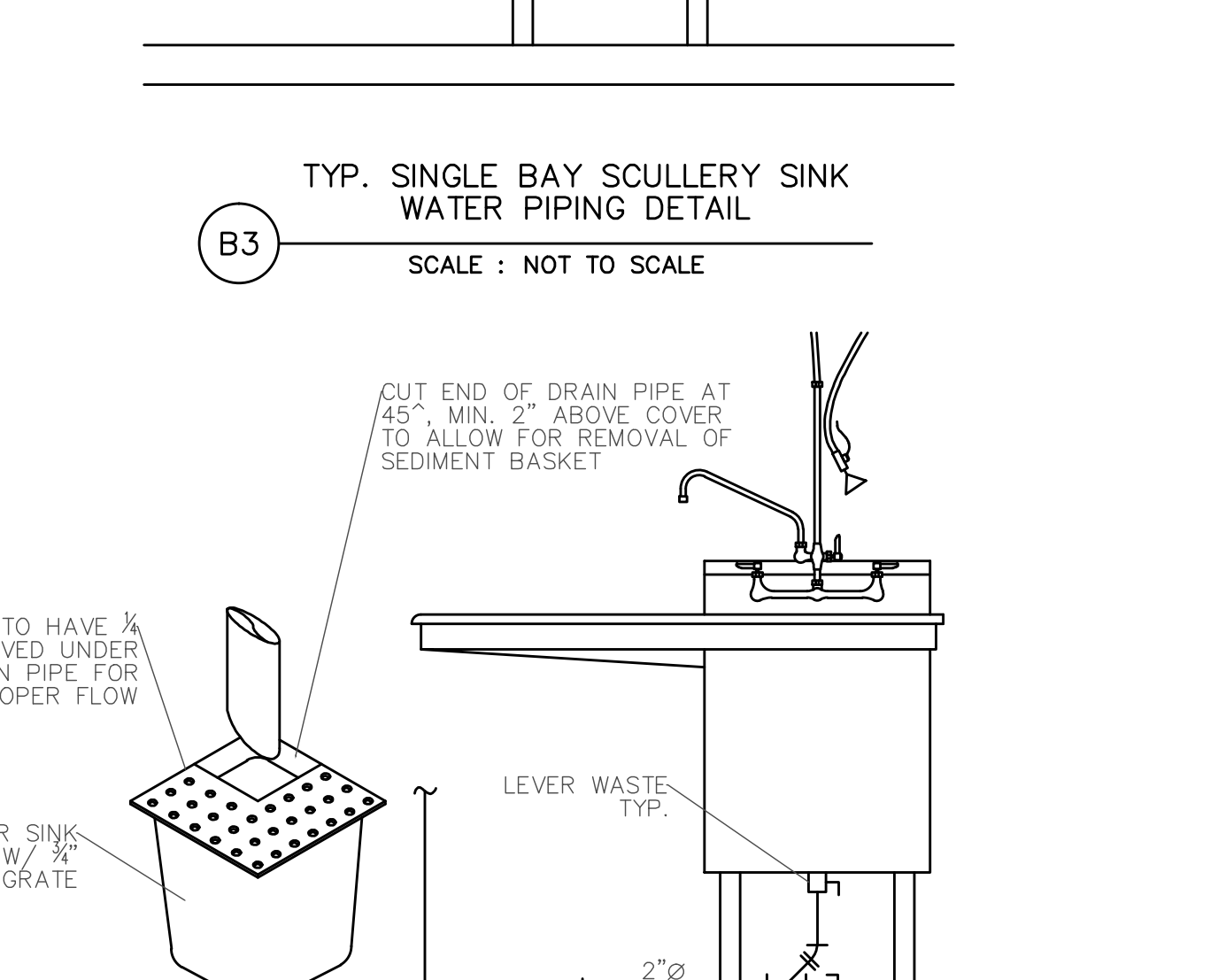
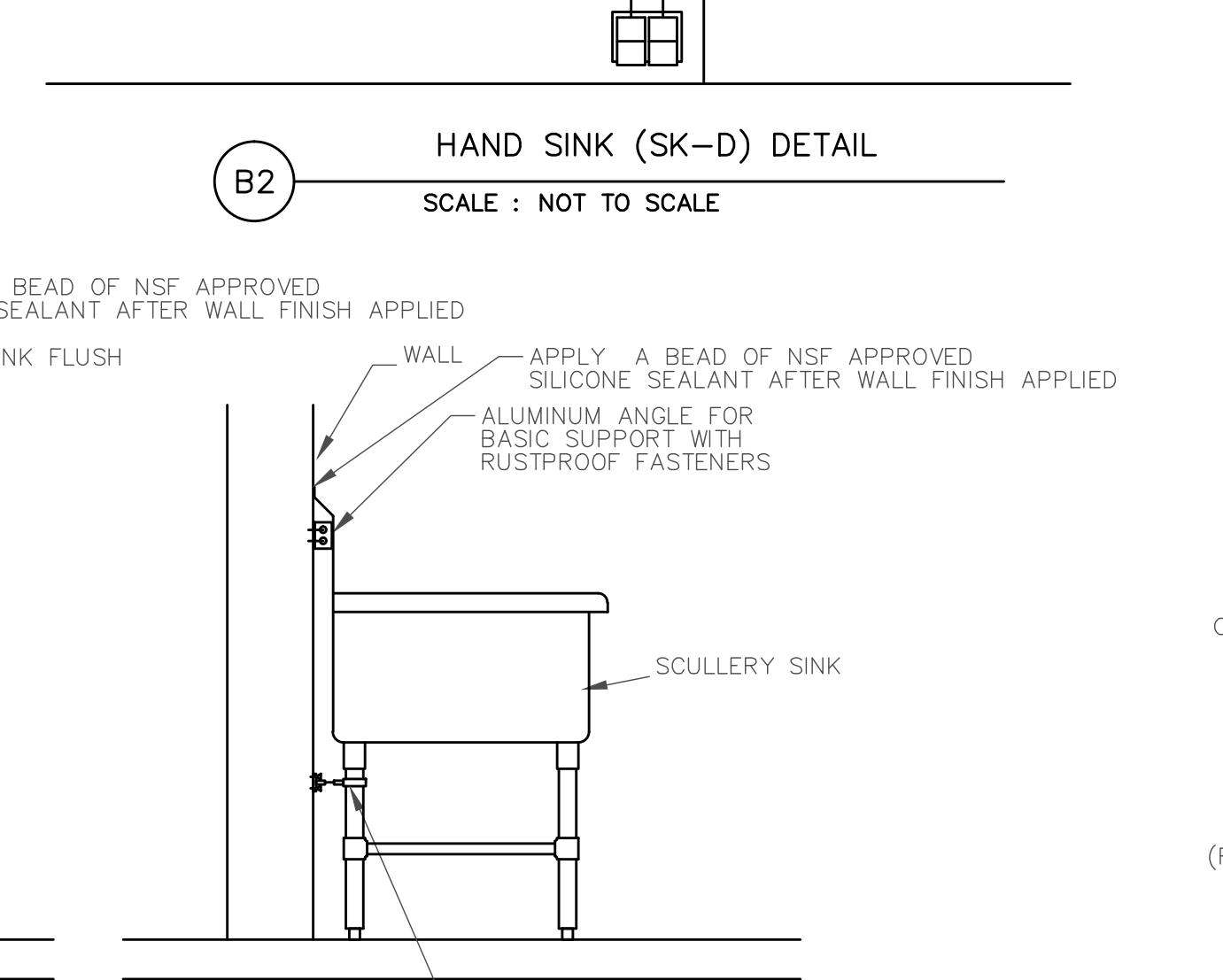
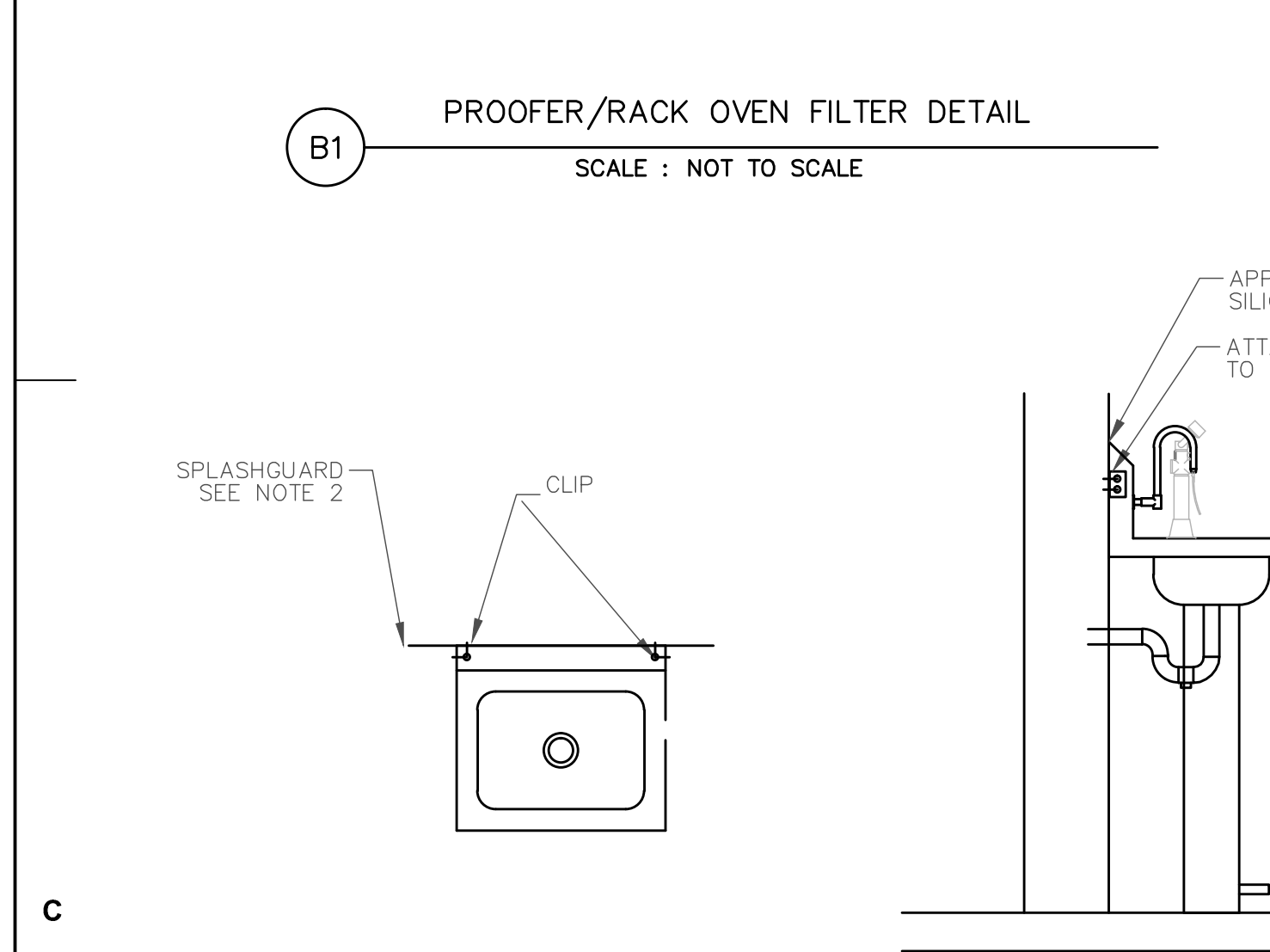
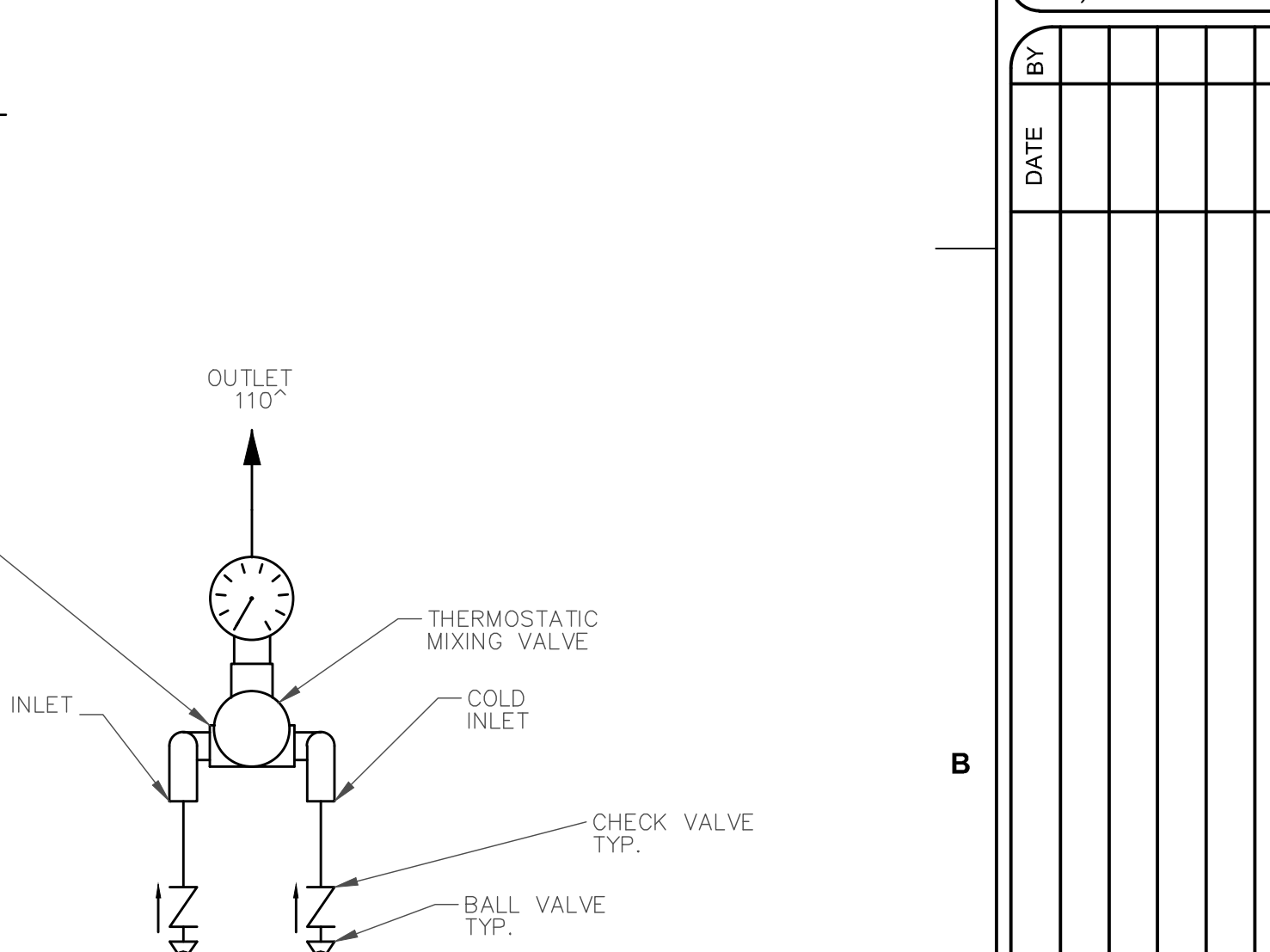
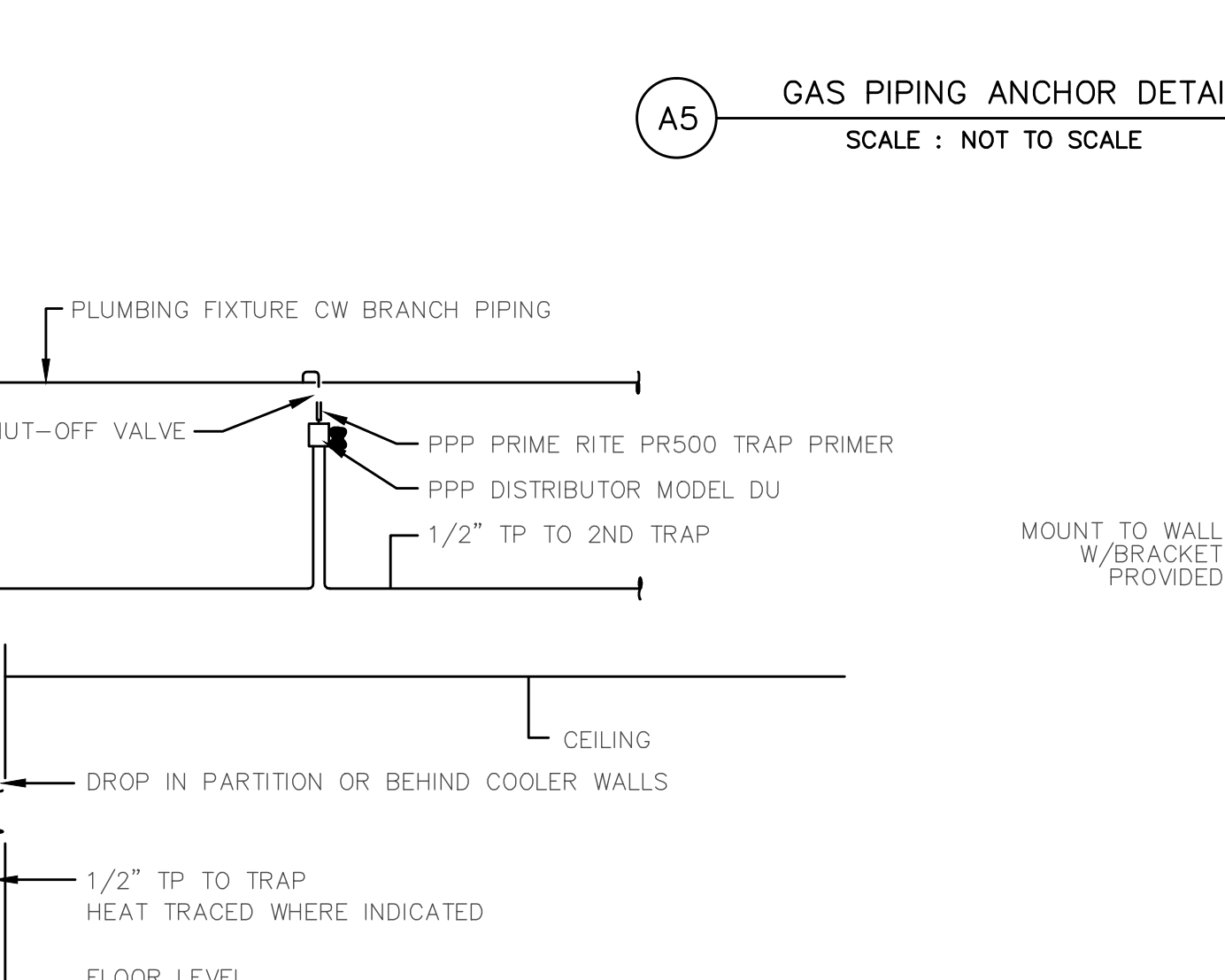
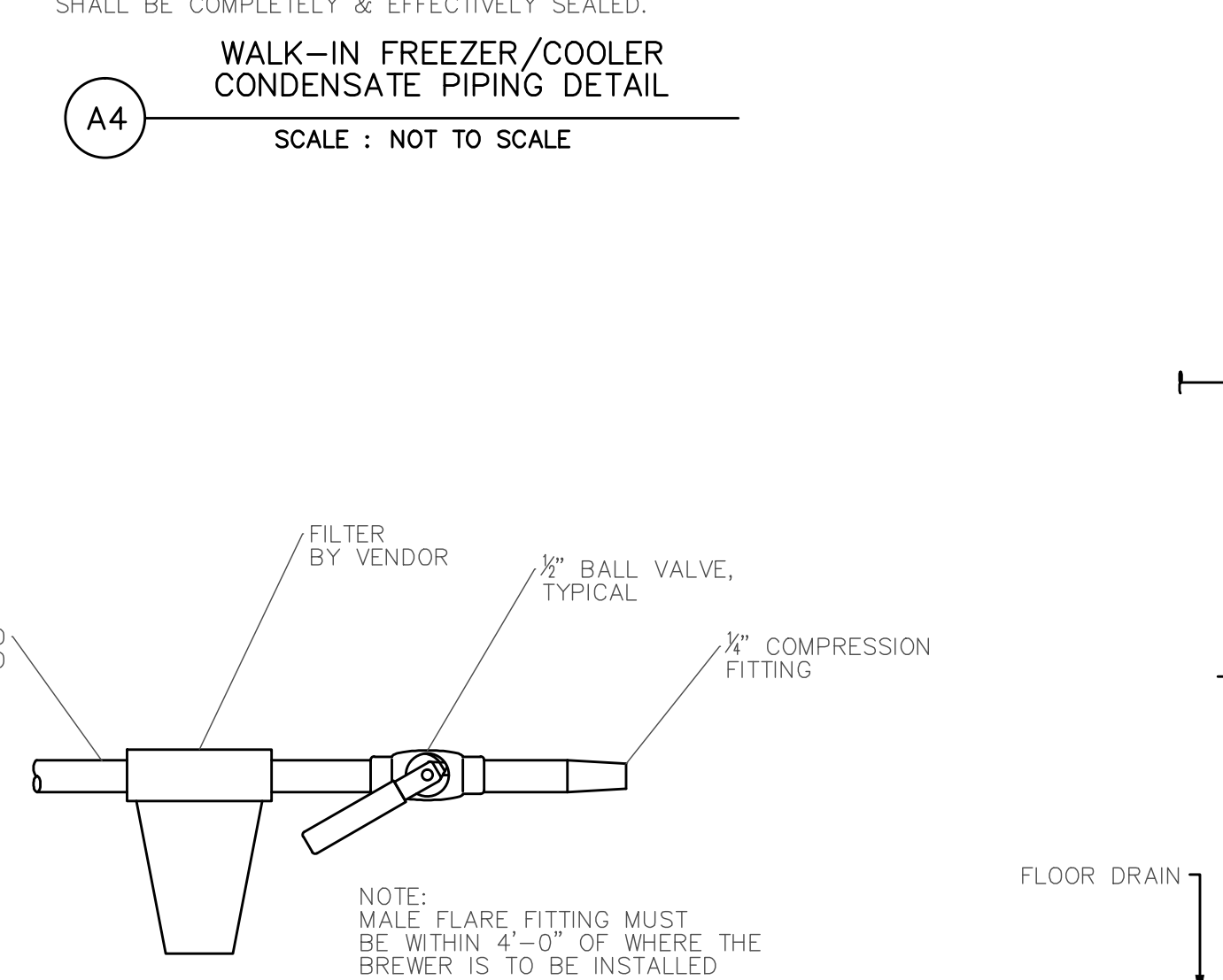
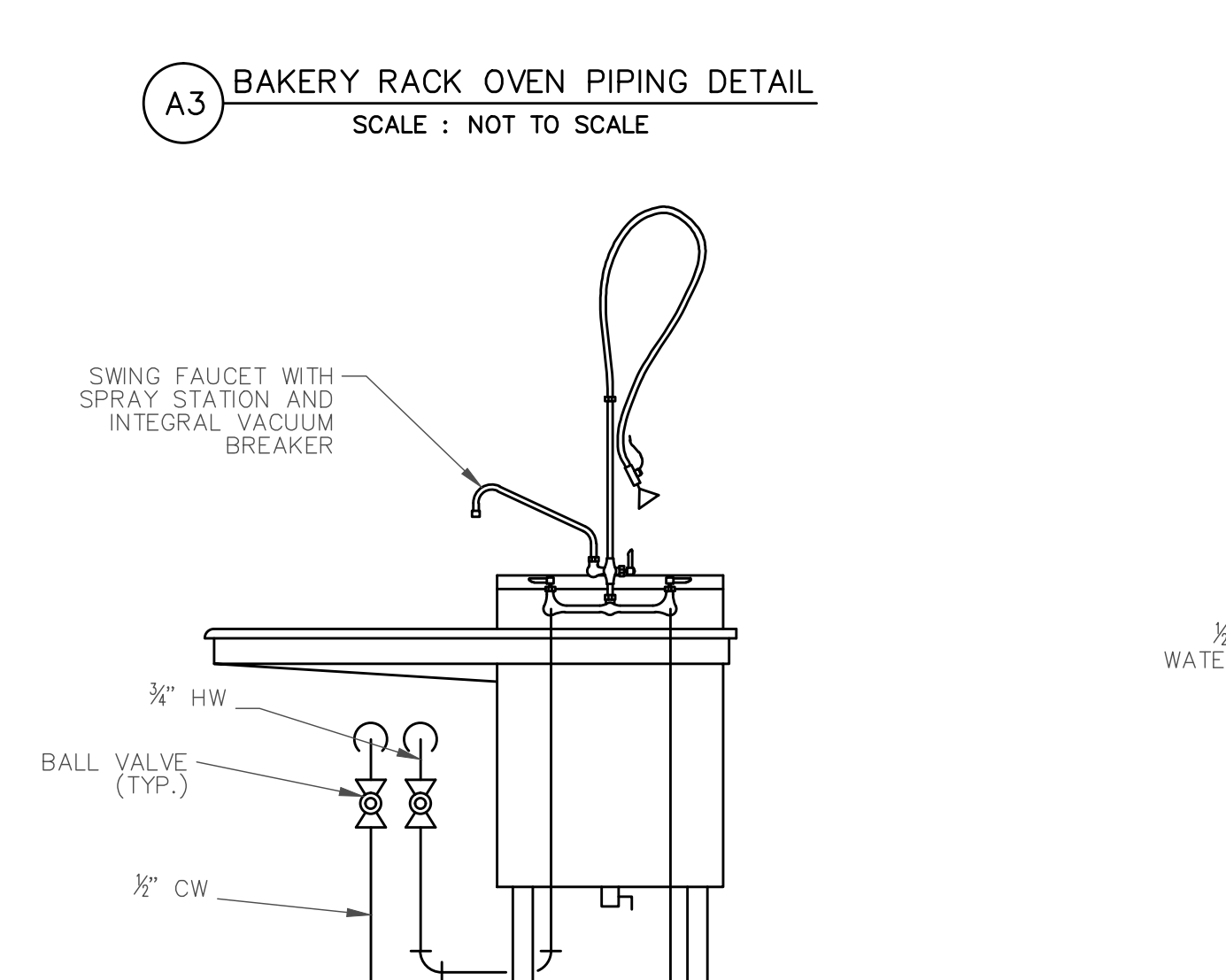
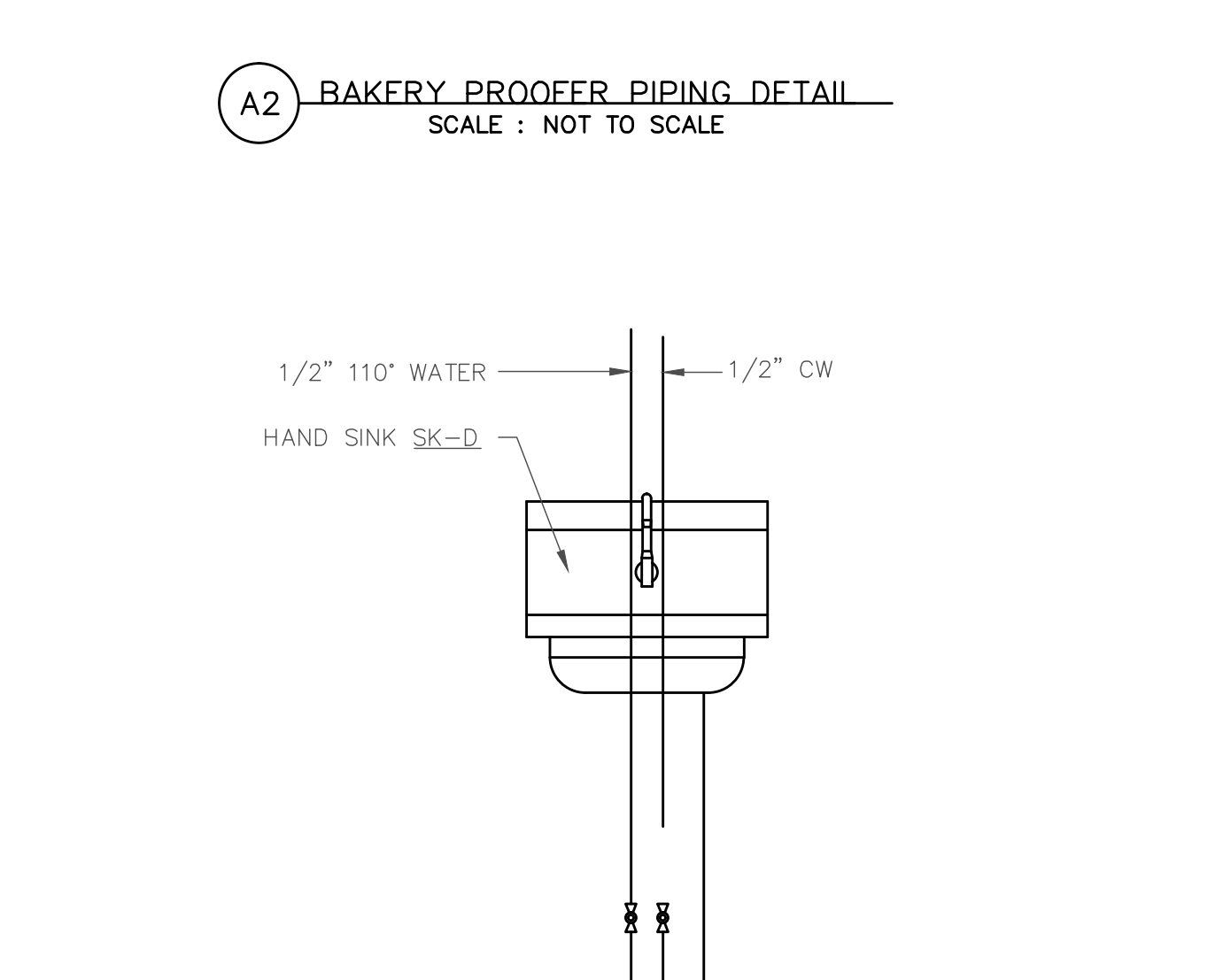
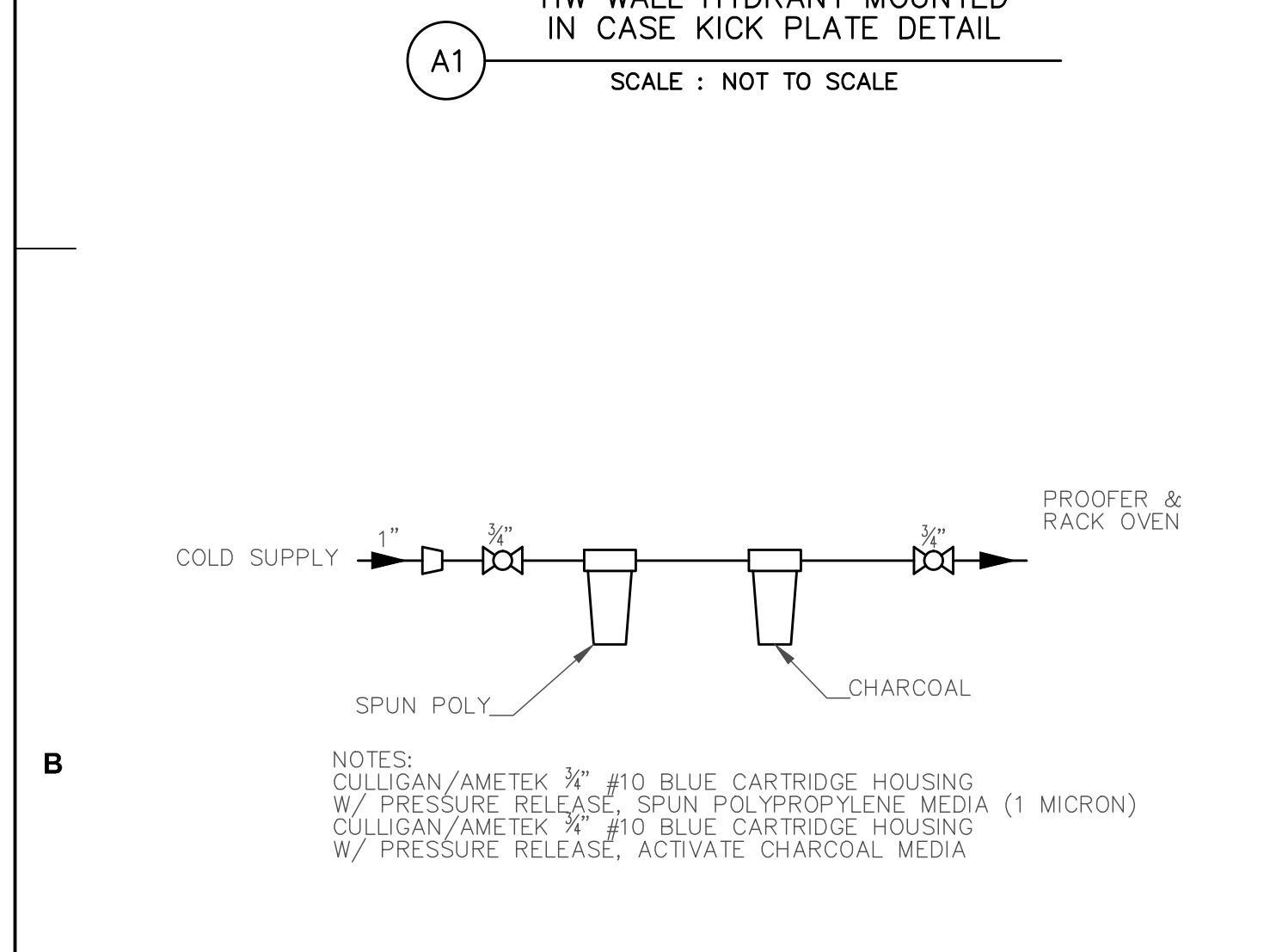
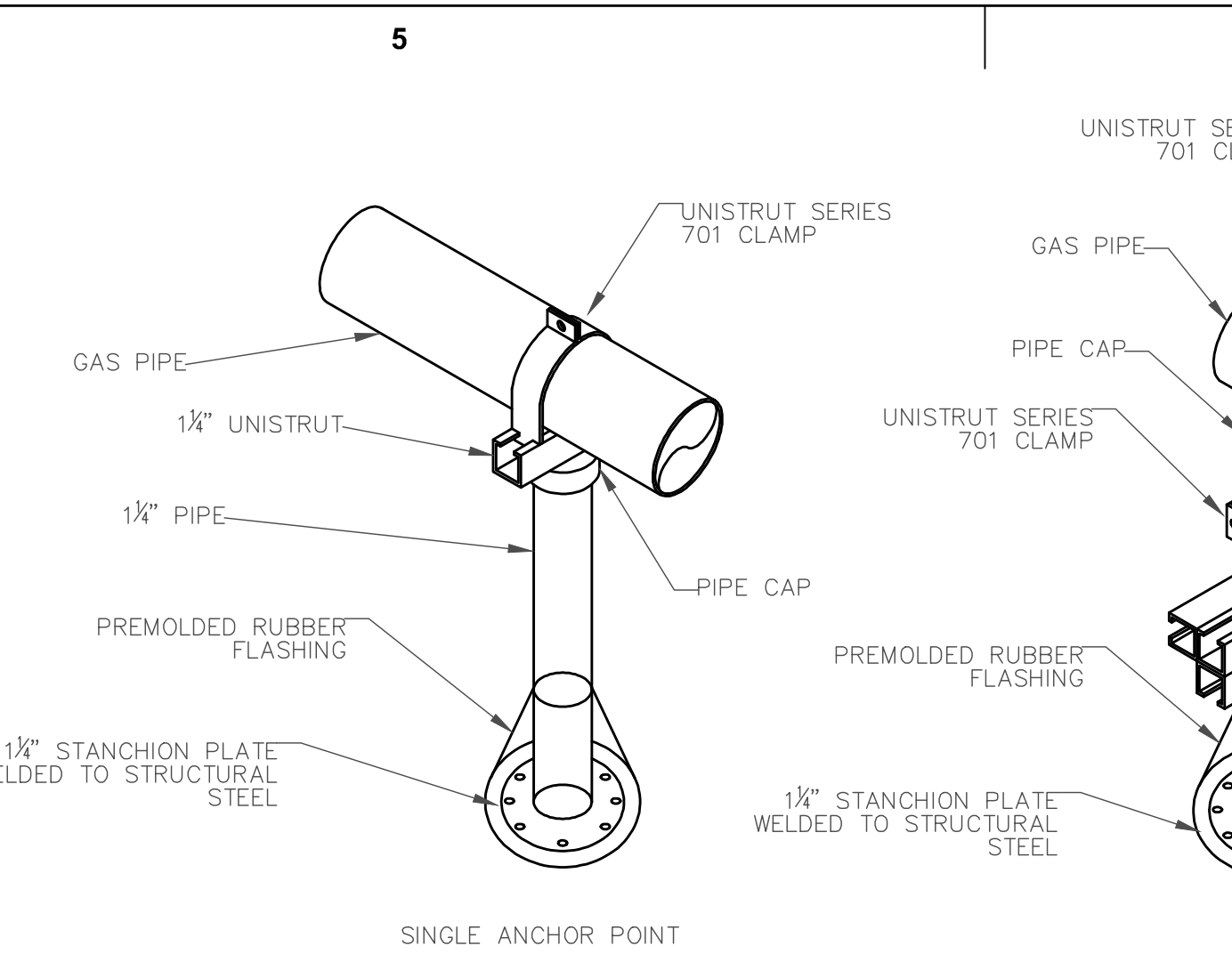
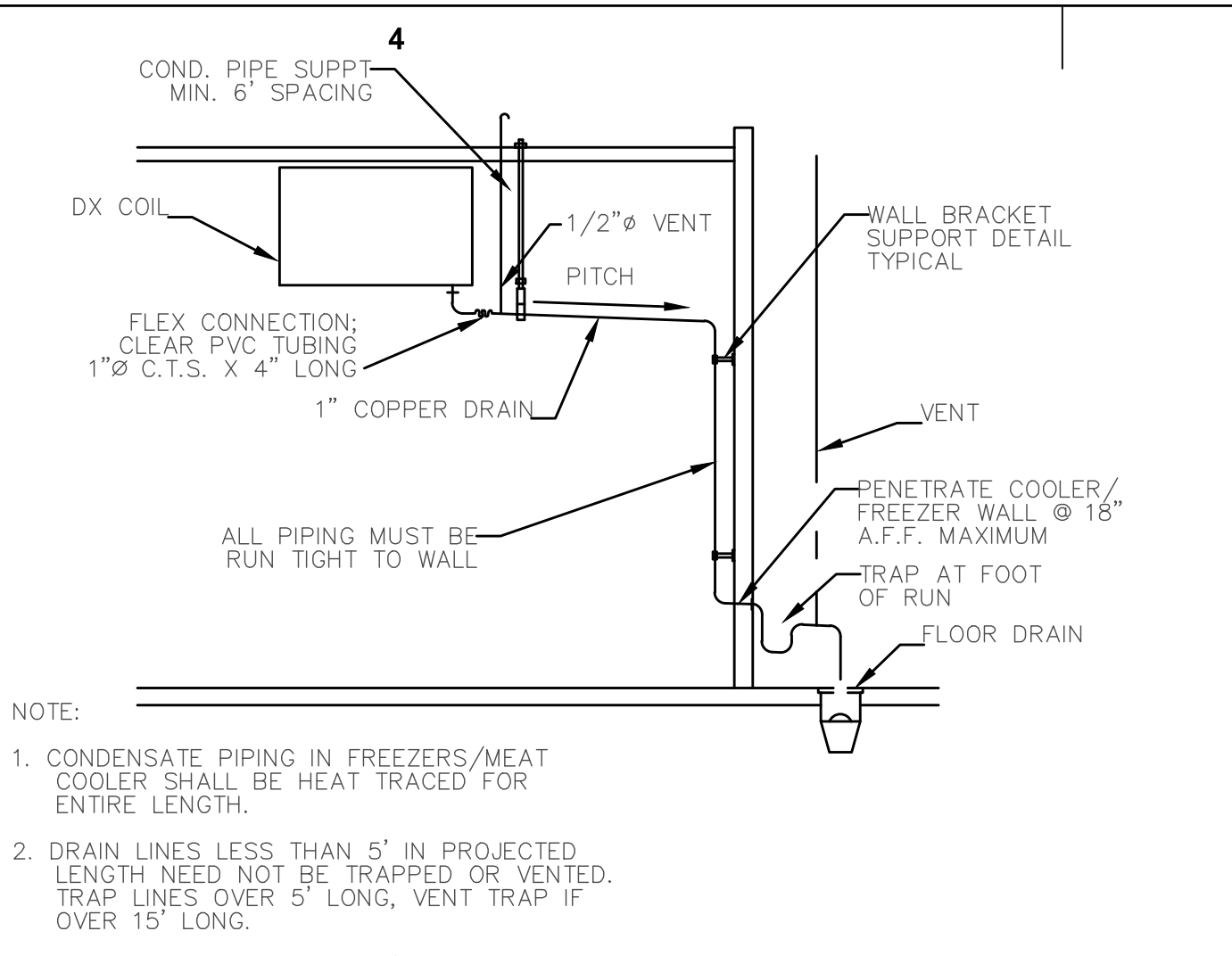
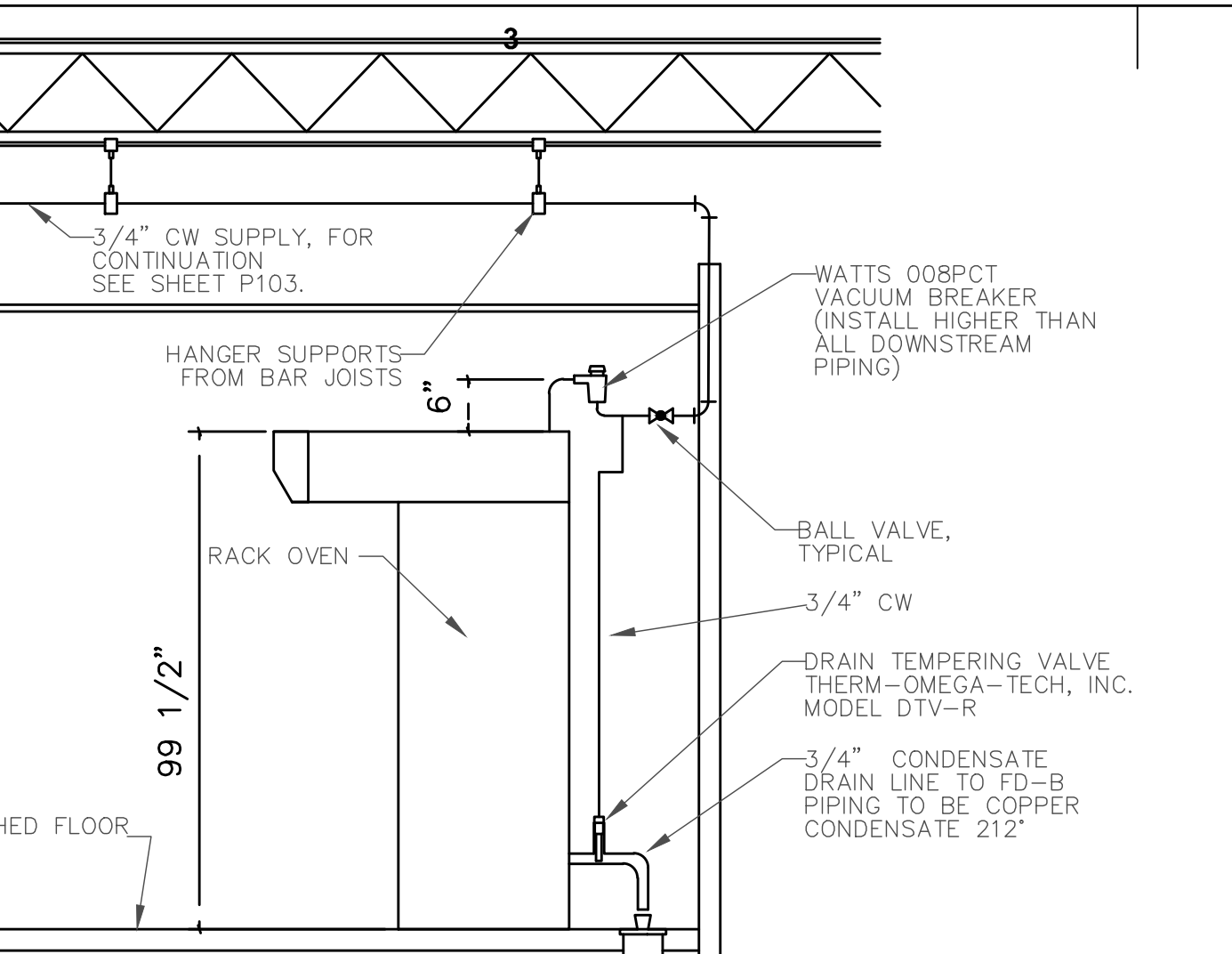
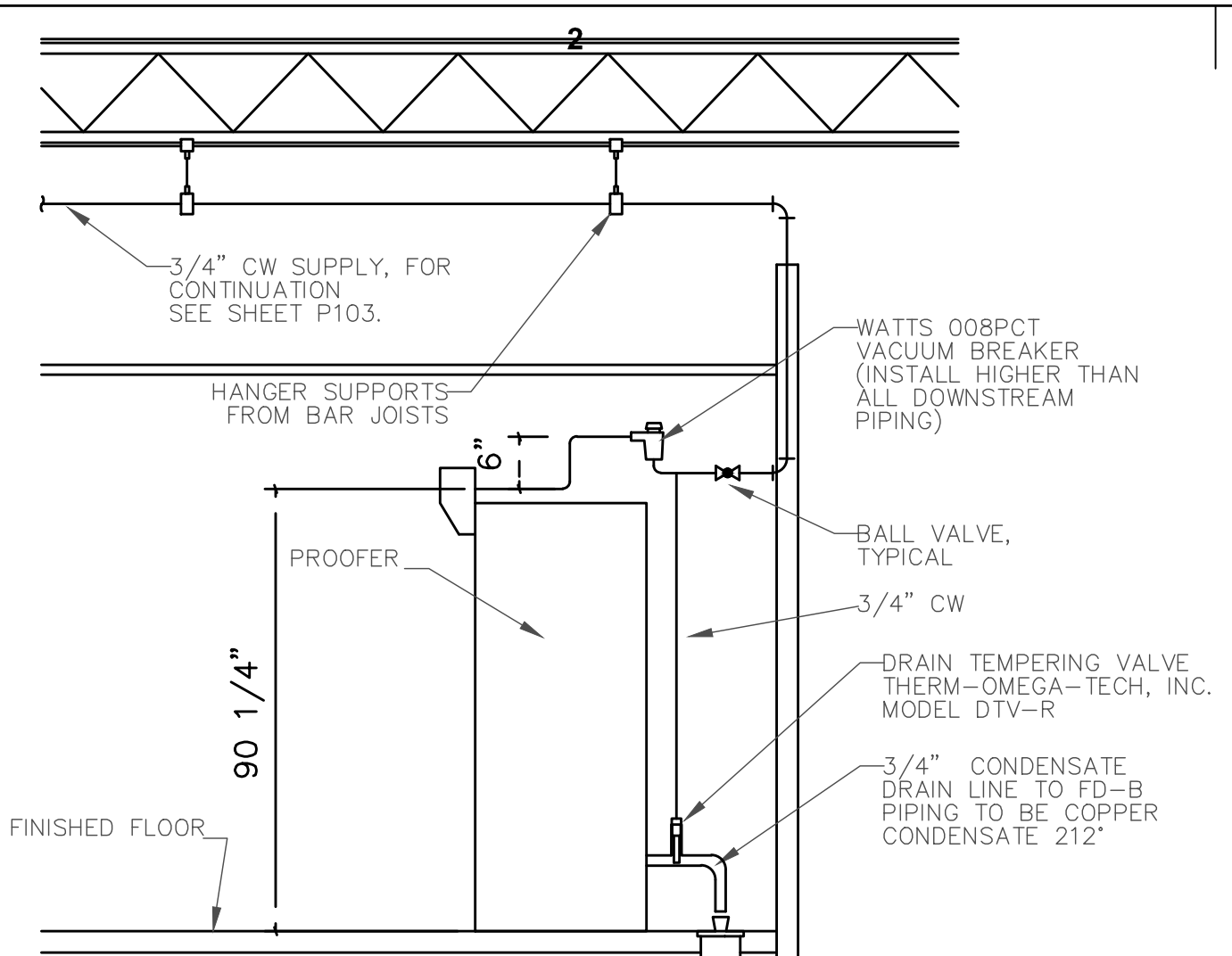
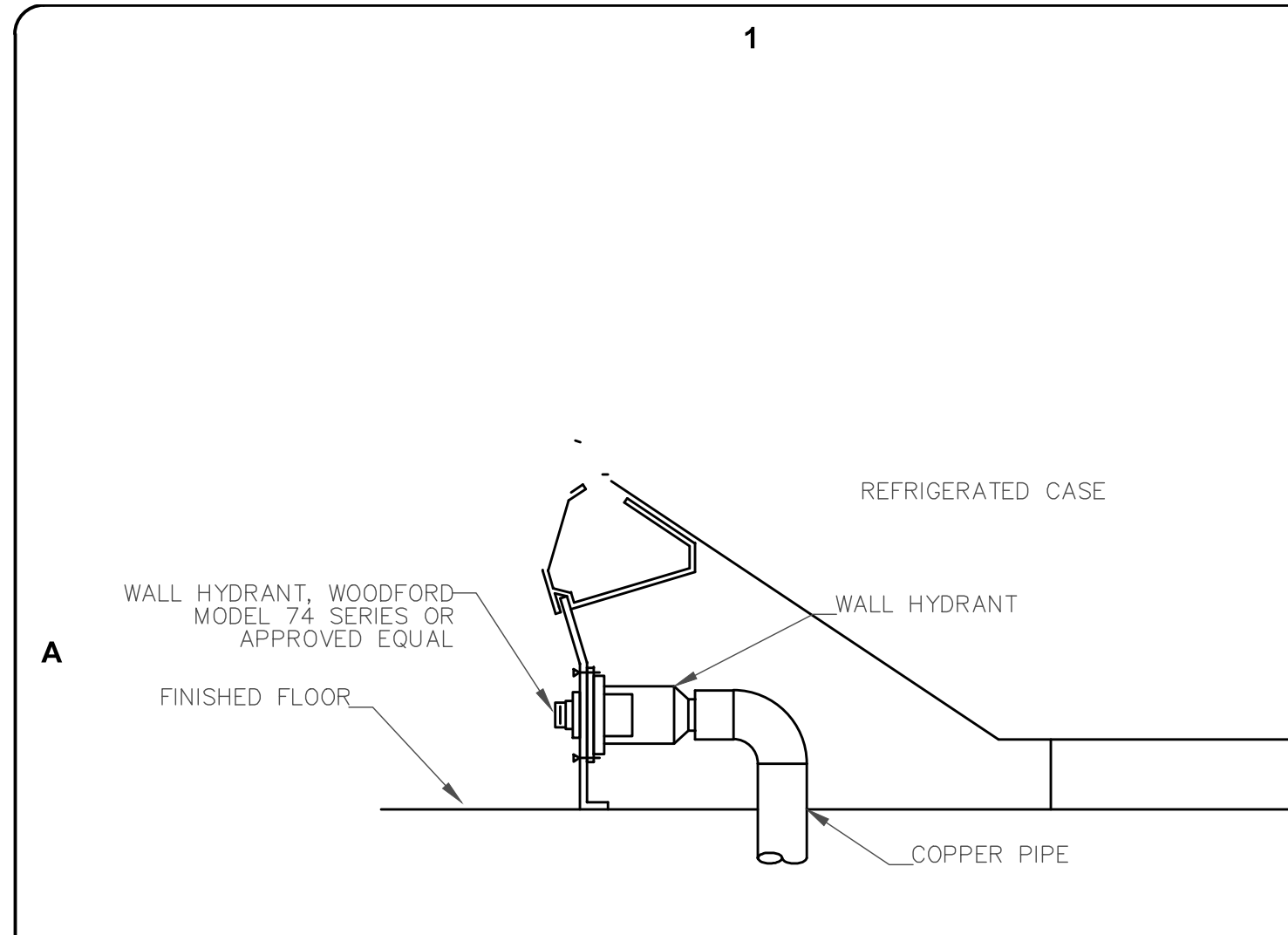
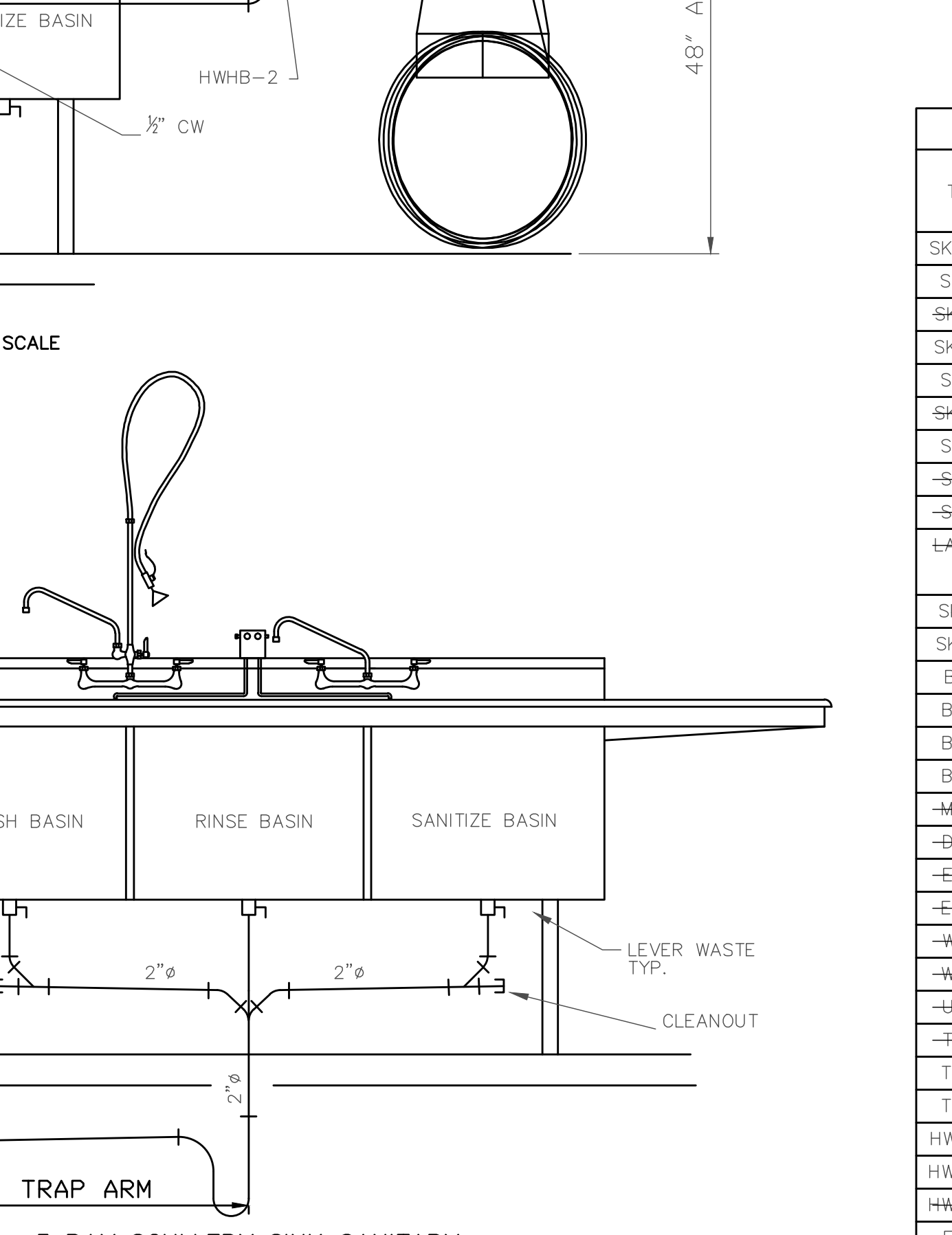
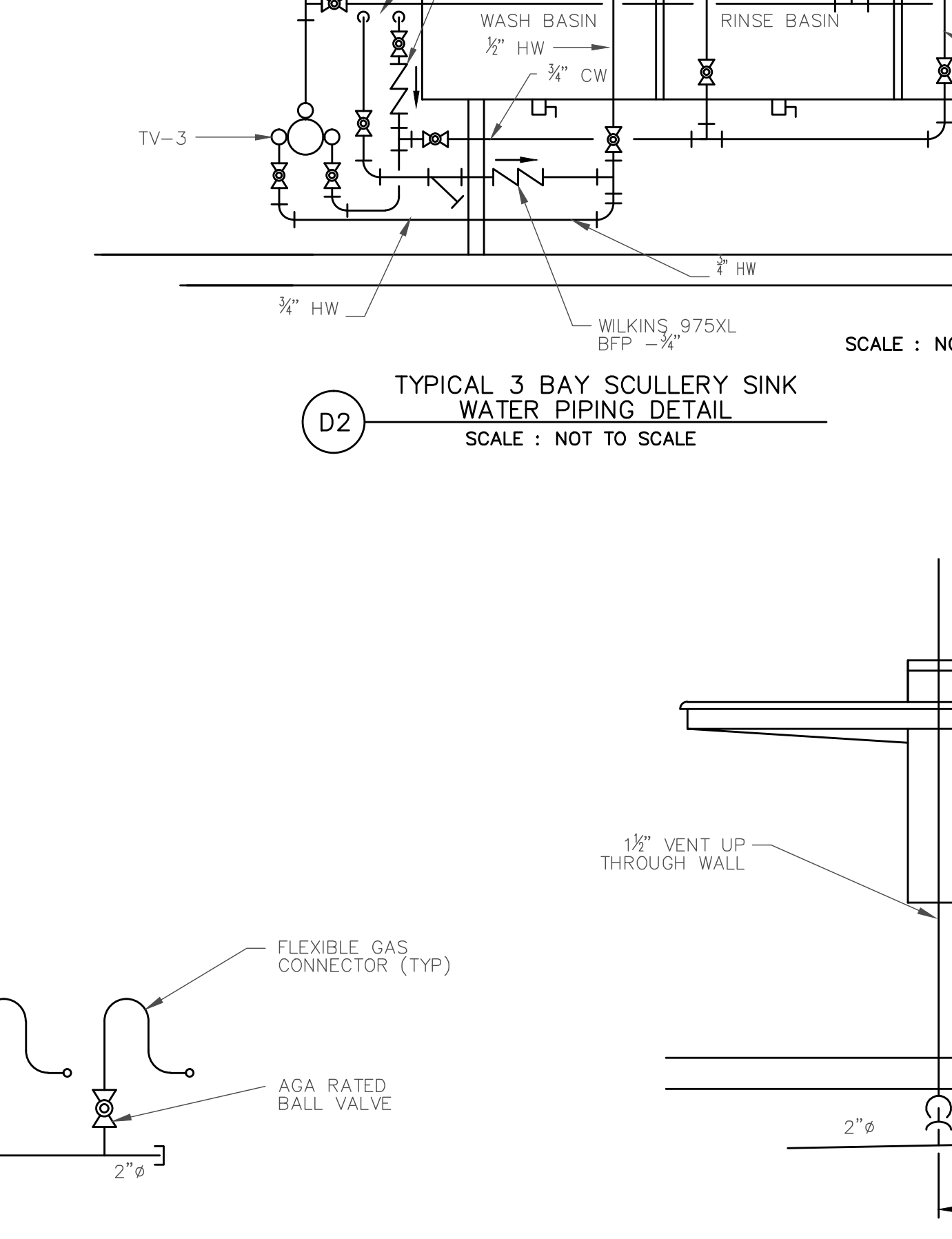
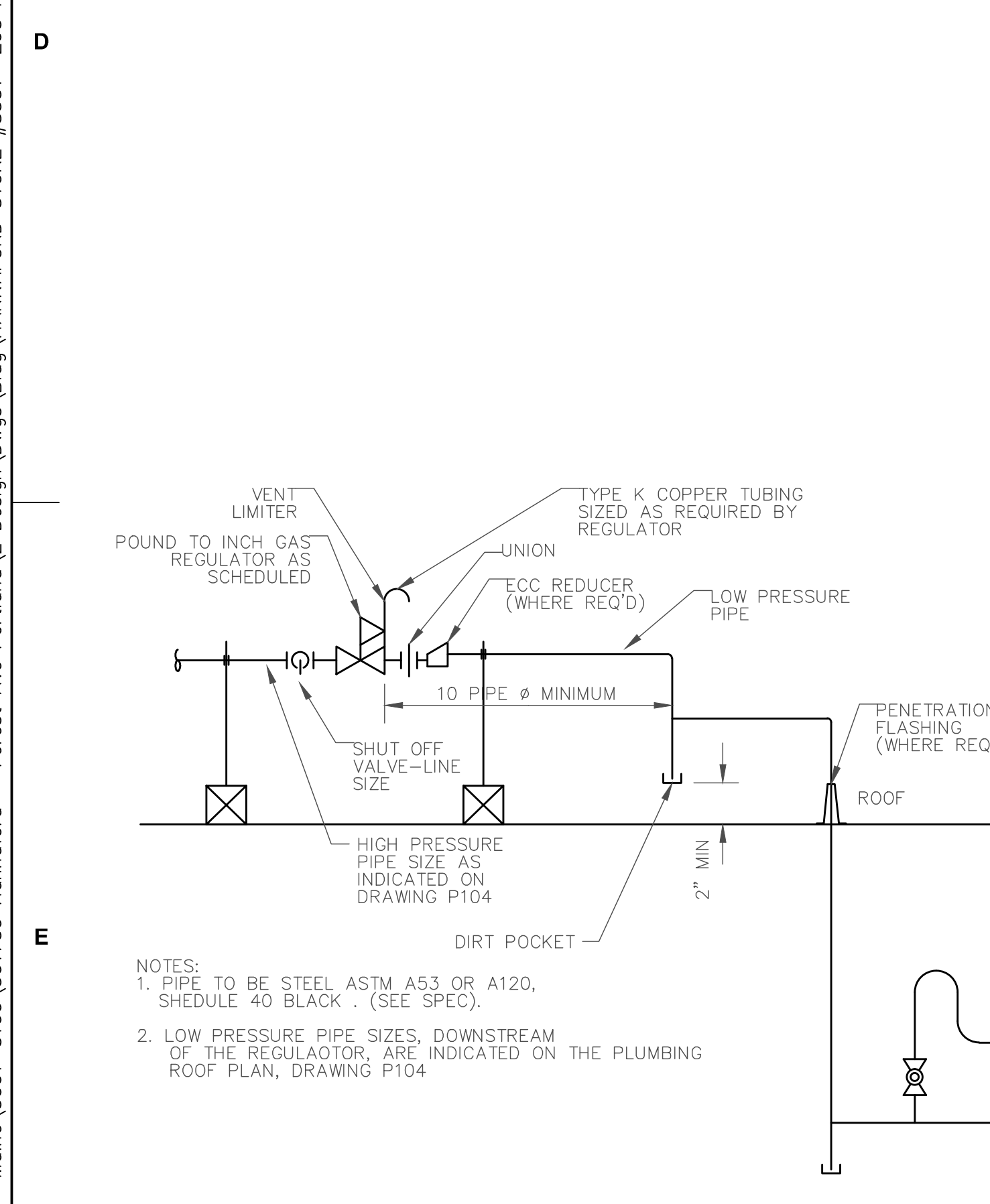
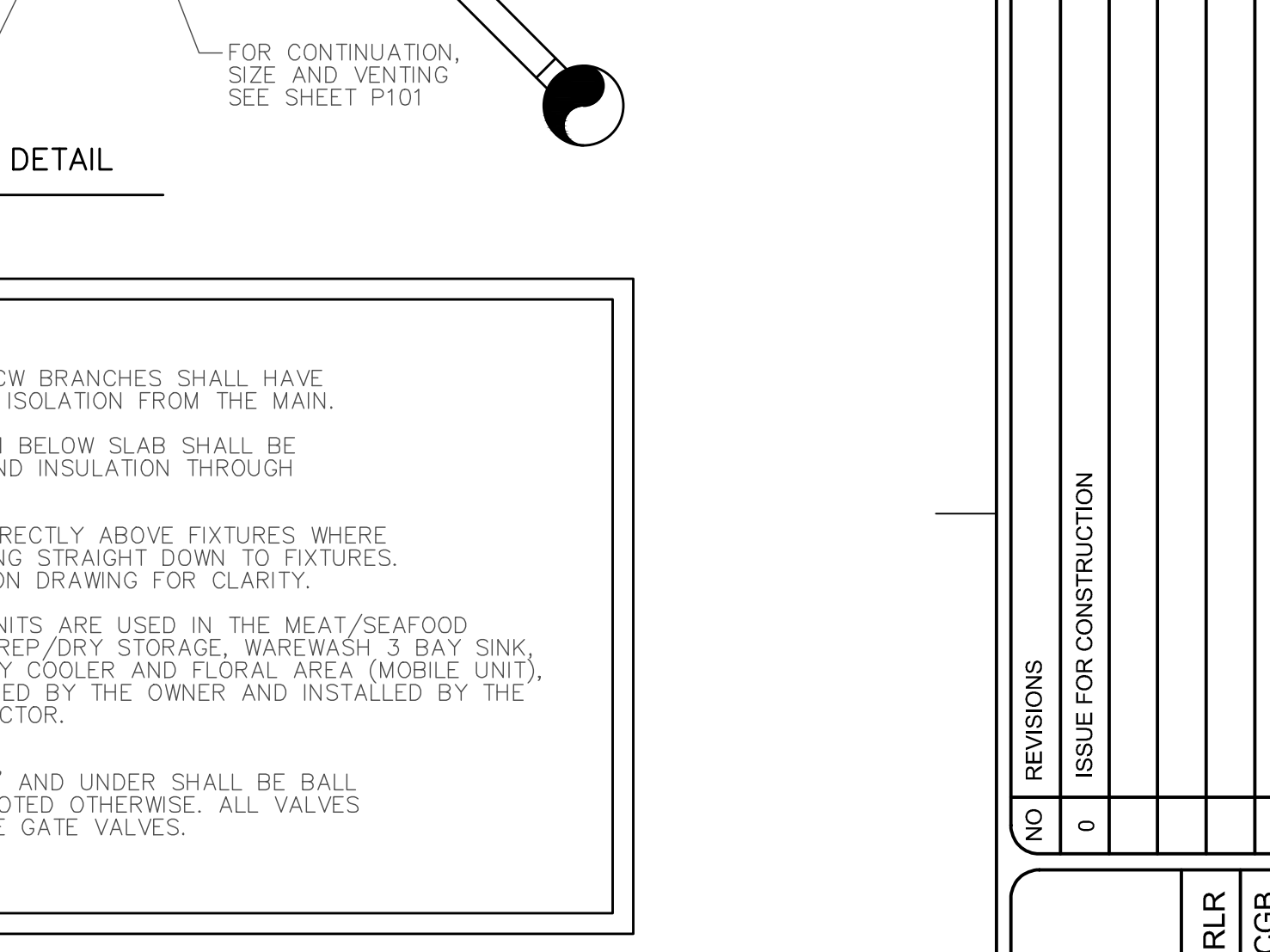
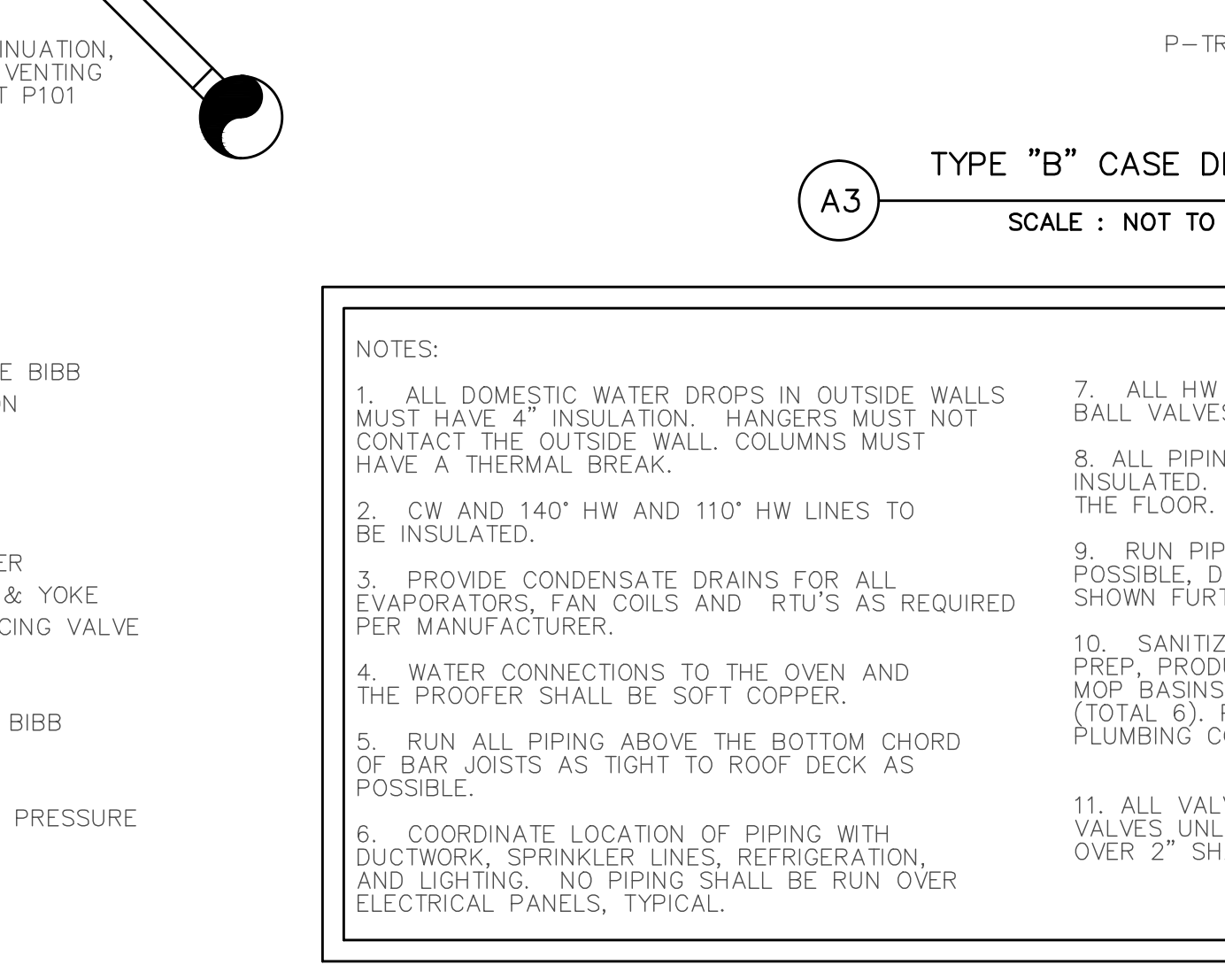


DATE	06.19.15
REVISIONS	
DATE	06.19.15
REVISIONS	



PLUMBING LEGEND

AW	ALUMINUM	AW	WATER
AL	ALUMINUM	AW	WATER
AD	ACCESS DOOR	AW	WATER
AP	ACCESS PANEL	AW	WATER
BP	BACKFLOW PREVENTER	AW	WATER
BW	BACKWATER VALVE	AW	WATER
CI	CAST IRON	AW	WATER
CO	CLEANOUT	AW	WATER
CON	CONDENSATE	AW	WATER
CONT	CONTINUED	AW	WATER
CDP	CLEANOUT DECK PLATE	AW	WATER
CWP	CLEANOUT WALL PLATE	AW	WATER
CW	COLD WATER	AW	WATER
DEG	DEGREES	AW	WATER
DF	DRINKING FOUNTAIN	AW	WATER
DN	DOWN	AW	WATER
DIA	DIAMETER	AW	WATER
EQ	EQUIPMENT	AW	WATER
FD	FLOOR DRAIN	AW	WATER
FLR	FLOOR	AW	WATER
FFWH	FIREPROOF WATER HYDRANT	AW	WATER
FT	FOOT	AW	WATER
FW	FILTERED WATER	AW	WATER
HW	HOT WATER	AW	WATER
HWB	HOT WATER HOSE BIBB	AW	WATER
IE	INVERT ELEVATION	AW	WATER
LAV	LAVATORY	AW	WATER
LOR	ROOF LEADER	AW	WATER
MN	MANHOLE	AW	WATER
MNUM	MINIMUM	AW	WATER
NTS/A.T.S.	NOT TO SCALE	AW	WATER
OD	OUTSIDE DIAMETER	AW	WATER
OS&Y	OUTSIDE SCREW & YOKE	AW	WATER
PRV	PRESSURE REDUCING VALVE	AW	WATER
REF	REFRIGERATION	AW	WATER
RD	ROOF DRAIN	AW	WATER
RHB	RECESSED HOSE BIBB	AW	WATER
STL	STEEL	AW	WATER
SNK	SINK	AW	WATER
T&P	TEMPERATURE & PRESSURE	AW	WATER
TEMP	TEMPERATURE	AW	WATER
TYP	TYPICAL	AW	WATER
URNAL	URINAL	AW	WATER
V	VENT	AW	WATER
VTR	VENT TO ROOF	AW	WATER
W	WASTE	AW	WATER
WC	WATER CLOSET	AW	WATER
WH	WATER HEATER	AW	WATER



PLUMBING FIXTURE SCHEDULE

TAG	TYPE	LOCATION	SAN WASTE	CW FEED	HW FEED	HW VENT	MFR	MODEL NO.	REMARKS	
SK-ALR	3-BAY SINK W/DRAINBO	WAREWASHING	2"	3/4"	3/4"	-	1/2"	AERO	3F3-3020-24LR	140° HOT WATER
SK-C	1-BAY SINK W/O DRAINBO	SEAFOOD PREP, HMS PREP	2"	3/4"	3/4"	-	1/2"	AERO	3F3-2424	140° HOT WATER
SK-CL	1-BAY SINK W/DRAINBO	DELI	2"	3/4"	3/4"	-	1/2"	AERO	3F1-2424-24L	140° HOT WATER
SK-CR	1-BAY SINK W/DRAINBO	PRODUCE PREP, HMS PREP	2"	3/4"	3/4"	-	1/2"	AERO	3F1-2424-24R	140° HOT WATER
SK-D	HANDSINK	BAKERY, MEAT/SEAFOOD, PRODUCE	1 1/2"	3/8"	3/8"	-	1/2"	AERO	HSB	110°/120° HOT WATER
SK-DE	HANDSINK W/EW BRACKET	DELI, BOTTLE ROOM	1 1/2"	3/8"	3/8"	-	1/2"	AERO	HSB W/EW BRACKET	140°/220° HOT WATER
SK-E	EXISTING	AS NOTED								
SK-F	SINK	PHARMACY, ASSOCIATES' LOUNGE	2"	1/2"	1/2"	-	1/2"	ELKAY	LR4D-1716	110°/220° HOT WATER
SK-H	SINK	GLYNN-BOTTLE ROOM	2"	1/2"	1/2"	-	1/2"	ELKAY	PER3122	USE WHEN GLYNN IS SPEC'D
LAV-A	LAV-SINK	MAIN RESTROOMS	1 1/2"			3/8"	1/2"	SEE ARCH'S SPECIFICATION	SEE ARCH'S SPECIFICATION	PROVIDE DRAIN WITH OVERFLOW - PROVIDE SPECIFIED FAUCET-FITTING
SK-B1	RECESSED HAND SINK	BEVERAGE CENTER	2"	1/2"	1/2"	-	1/2"	ELKAY	LR4D-1716	T&W BRASS B-1120 FAUCET
SK-B2	RECESSED 1-BAY SINK	BEVERAGE CENTER	2"	1/2"	1/2"	-	1/2"	ELKAY	GEOR2521R	T&W BRASS B-1120-135X-WHA FAUCET
BC-1	COFFEE MAKER	BEVERAGE CENTER	-	1/2"	-	-	-	-	-	COORD W/ EQUIPMENT
BC-2	ICE MAKER	BEVERAGE CENTER	-	1/2"	-	-	-	-	-	COORD W/ EQUIPMENT
BC-3	DISHWASHER	BEVERAGE CENTER	-	1/2"	-	-	-	-	-	COORD W/ EQUIPMENT
BC-4	COKE MACHINE	BEVERAGE CENTER	-	1/2"	-	-	-	-	-	COORD W/ EQUIPMENT
MB-0	MOP-BASIN	BOTTLE ROOM	3"	1/2"	1/2"	-	1/2"	FIAT	MSB-3624	110°/120° HOT WATER
DF-1	DRINKING FOUNTAIN	Rv- WAITING AREA	3"	1/4"	1/2"	-	1/2"	HAUSEY-TAYLOR	HRSF22P	110°/120° HOT WATER
EW-1	EYE WASH	ALL SK-DE'S, PHARMACY-SINK	1 1/4"			3/8"	1/2"	GUARDIAN-EQUIPMENT	G50228P	INTEGRAL BACK-FLOW PREVENTER
EW-2	EYE WASH	RECEIVING	1 1/4"			3/8"	1/2"	GUARDIAN-EQUIPMENT	G1814P-VEL	MOUNT SPRAY HEADS 40" A.F.F.
WO-1	WATER-CLOSET	MAIN RESTROOMS	3"	1 1/2"	-	2"	-	AMERICAN-STANDARD	MADERA-3451-128	15" HIGH-RIM (LESS-SEAT); 10" ROUGH-IN
WO-2	WATER-CLOSET	MAIN RESTROOMS	3"	1 1/2"	-	2"	-	AMERICAN-STANDARD	MADERA-3461-128	16-1/2" HIGH-RIM (LESS-SEAT); 10" ROUGH-IN
UR-1	URINAL	MAIN RESTROOMS	2"	3/4"	-	1/2"	-	SLOAN	WEUS-1002-1301-0-025	110°/120° HOT WATER
TV-1	TEMP. VALVE	EYEWASH STATIONS	-	1/2"	1/2"	1/2"	-	LEONARD	MODEL 1A-300	OUTLET 85" TEMPERED WATER
TV-2	TEMP. VALVE	HAND SINKS, LAVS	-	1/2"	1/2"	1/2"	-	LEONARD	LF-270	OUTLET 110°/120" WATER
TV-3	TEMP. VALVE	CHEM SANITIZING SETUPS, & SK-A	-	1/2"	1/2"	1/2"	-	WATTS	L111	OUTLET 85" TEMPERED WATER
HWB-1	HOT WATER HOSE BIBB	REFRIGERATED CASE WASH-DOWN	-	3/4"	-	-	-	WOODFORDS	74	140° HOT WATER CONNECTION
HWB-2	HOT WATER HOSE BIBB	CHEM SANITIZING SETUPS, & SK-A	-	1/2"	-	-	-	T & S	B-0720	110°/120° HOT WATER CONNECTION
HWB-3	HOT WATER HOSE BIBB	MENS & WOMENS RESTROOMS	-	3/8"	-	-	-	T & S	B-0720	110°/120° HOT WATER CONNECTION
HWB-4	FREEZE-PROOF HOSE BIBB	EXTERIOR	3/4"	1/2"	-	-	-	WOODFORDS	865	MOUNT-CENTRALING-16" A.F.F.

NOTES:
1. FIXTURE SUPPLY AND VENT CONNECTIONS ARE AS SHOWN IN SCHEDULE U.N.O. ON PLANS.
2. VENT SIZE IS SPECIFIED FOR SOLE FIXTURE ONLY.
3. CONTRACTOR TO VERIFY NUMBER OF FIXTURES AND TYPE WITH FIXTURE PLAN (HA-1)

FLOOR DRAIN SCHEDULE

TAG	MFR. & MODEL
FD-A	ZURN ZN-415 WITH HD TYPE B STRAINER
FD-B	ZURN ZN-415 WITH TYPE E STRAINES
FD-F	ZURN Z-175X-K-YS-13-3 W/ SEDIMENT BUCKET & 3/8" DEPRESS GRATE
FD-I	ZURN Z-807-RFS-Y CATCH BASIN W/ SEDIMENT BUCKET (SIZE 000)
FD-Z	ZURN Z-1662-IG-YA-G

NOTE: TOP OF ALL DRAINS AT 100'-0" (FIN. FLR) UNLESS ELEVATION NOTED ON STUBUP TAG