

MAKE UP AIR UNIT SCHEDULE														GAS HEATING SECTION		ELECTRICAL				NOTES
TAG	SERVES	MODEL	CFM	ESP IN WC	BHP	HP	INPUT MBH	OUTPUT MBH	FUEL	EFF %	TURNDOWN RATIO	TYPE	WEIGHT LBS	MCA	MAX FUSE	VOLT	PHASE			
MUA-1	HOOD-H1	DKG-112H15	3150	0.5	1.52	2	266	245	NG	92	25:1	DIRECT	521	10.1	15	208	3	1, 2, 3, 4, 5, 6, 7, 8		
MUA-2	HOOD-H2	DKG-110H15	1920	0.5	0.78	1	183	150	NG	92	20:1	DIRECT	474	6.4	15	208	3	1, 2, 3, 4, 5, 6, 7, 8		

MAKE UP AIR UNIT SCHEDULE NOTES:

- BASED ON GREENHECK
- SCHEDULED ELECTRICAL DATA FOR SINGLE POINT POWER
- PROVIDE FACTORY INSTALLED AND WIRED DISCONNECT SWITCH
- PROVIDE WEATHERHOOD WITH WASHABLE ALUMINUM MESH FILTERS
- PROVIDE 18" INSULATED ROOF CURB
- MOTORIZED OUTSIDE AIR DAMPER

GENERAL NOTES

- COORDINATE SOFFIT PENETRATIONS WITH INTERIOR DECOR PACKAGE.
- DUCTWORK SHALL BE INSULATED OVER SOFFITS AND IN CONCEALED SPACES.
- RETURN AND SUPPLY DUCT DIMENSIONS MAY NOT BE ALTERED WITHOUT PRIOR APPROVAL FROM THE ENGINEER.
- HORIZONTAL RUNS OF HOOD EXHAUST DUCTWORK SHALL PITCH UP IN DIRECTION OF AIRFLOW, MINIMUM OF 1/4" PER FOOT
- PROVIDE DUCT SMOKE DETECTORS IN THE SUPPLY DUCT OF EACH UNIT, RATED 2000 CFM OR MORE AS REQUIRED BY CODE.
- ALL FANS TO BE 15'-0" MINIMUM FROM THE EDGE OF THE BUILDING UNLESS APPROVED SAFETY RAILS ARE PROVIDED AT ROOF EDGE.
- MAXIMUM LENGTH OF FLEXIBLE DUCT SHALL NOT EXCEED 50', NOR BE USED IN PLACE OF ELBOWS.
- EQUIPMENT AND WIRING SHALL COMPLY WITH LOCAL AND STATE CODES.
- ALL DUCTWORK PASSING THROUGH FIRE RATED WALLS OR FLOORS MUST HAVE FIRE DAMPERS AT EACH PENETRATION.

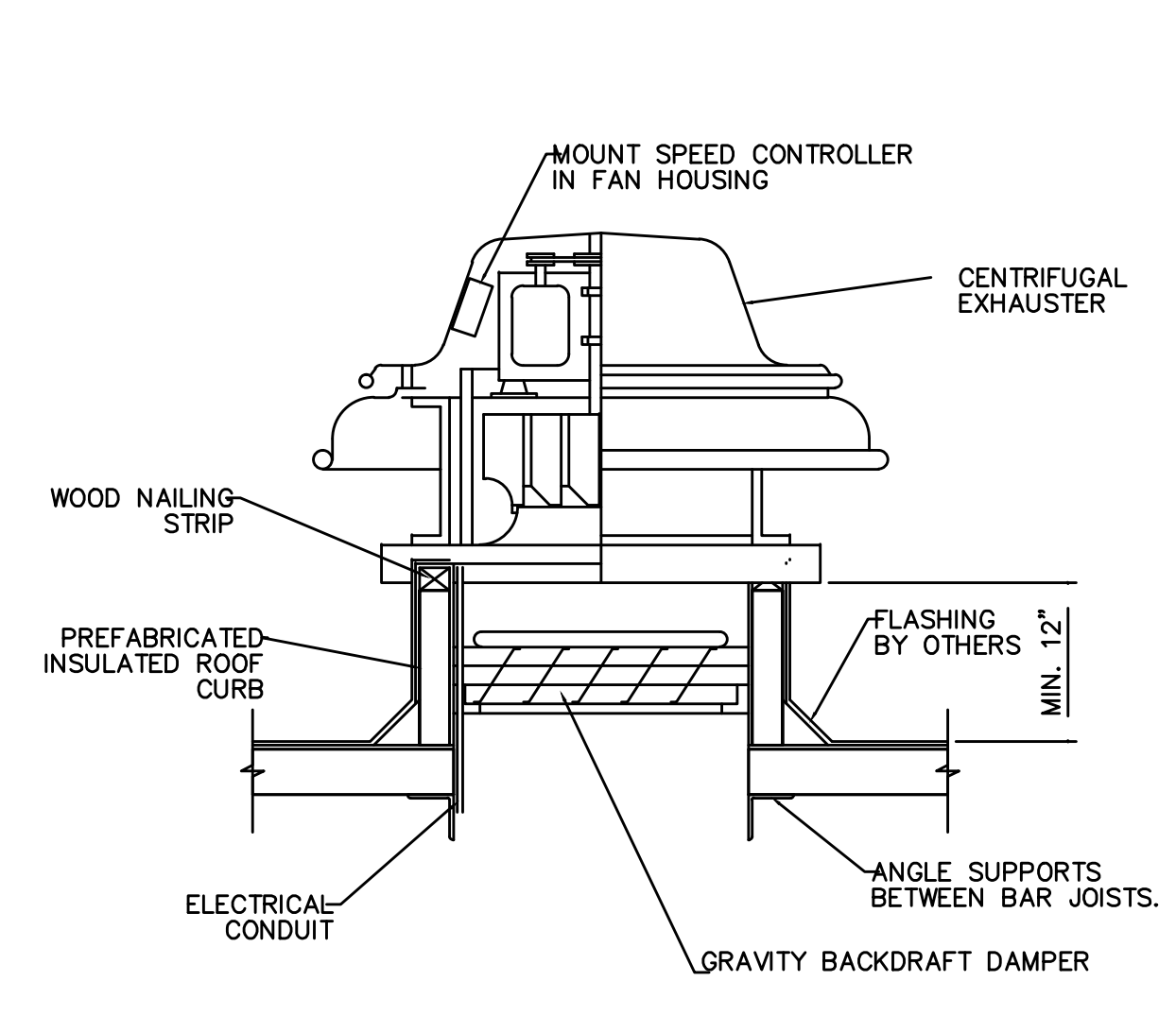
FAN SCHEDULE																		NOTES	REMARKS
TAG	MANUFACTURER	MODEL	SERVICE	AIR FLOW CFM	ESP IN - W.C.	FAN RPM	DRIVE	MOTOR BHP	MOTOR HP	MOTOR RPM	MOTOR TYPE	SOUND SONES	V/PHZ	FLA	MCA	OCPD			
HEF-1	GREENHECK	CUBE 180-20	HOOD H-1 EXHAUST	4500	0.75	1353	BELT	1.8	2	1725	ODP	208/3	5.0	15	15A/3P	1, 4, 7	SEE DETAIL ON M501		
HEF-2	GREENHECK	CUBE 180-F	HOOD H-2 EXHAUST	2750	0.75	1003	BELT	0.68	1	1725	ODP	208/3	5.0	15	15A/3P	1, 4, 7	SEE DETAIL ON M501		
HEF-3	GREENHECK	CUBE 101-F	HOOD H-3 EXHAUST	600	0.50	1217	BELT	0.12	0.25	1725	ODP	120/1	5.8	15	15A/1P	1, 2, 5	SEE DETAIL ON M501		
EF-1	GREENHECK	CUBE 101-F	OVEN HOOD	800	0.50	1384	BELT	0.08	0.25	1725	ODP	120/1	9.8	12.3	15A/1P	1, 2, 4, 5	SEE DETAIL ON M501		
EF-2	GREENHECK	G-075-D	PROOFER EXHAUST	300	0.25	1532	DIRECT	0.03	0.04	1550	ODP	120/1	5.8	15	15A/1P	1, 2, 3, 4, 5	SEE DETAIL ON M501		

GENERAL NOTE: THE MECHANICAL CONTRACTOR SHALL BE RESPONSIBLE FOR THE START-UP OF FANS. FANS SHALL DEMONSTRATE ACCEPTABLE PERFORMANCE (MEET OR EXCEED THE DESIGN PERFORMANCE LISTED HERE-IN) AT THE TIME OF COMMISSIONING AND THROUGH THE WARRANTY PERIOD.

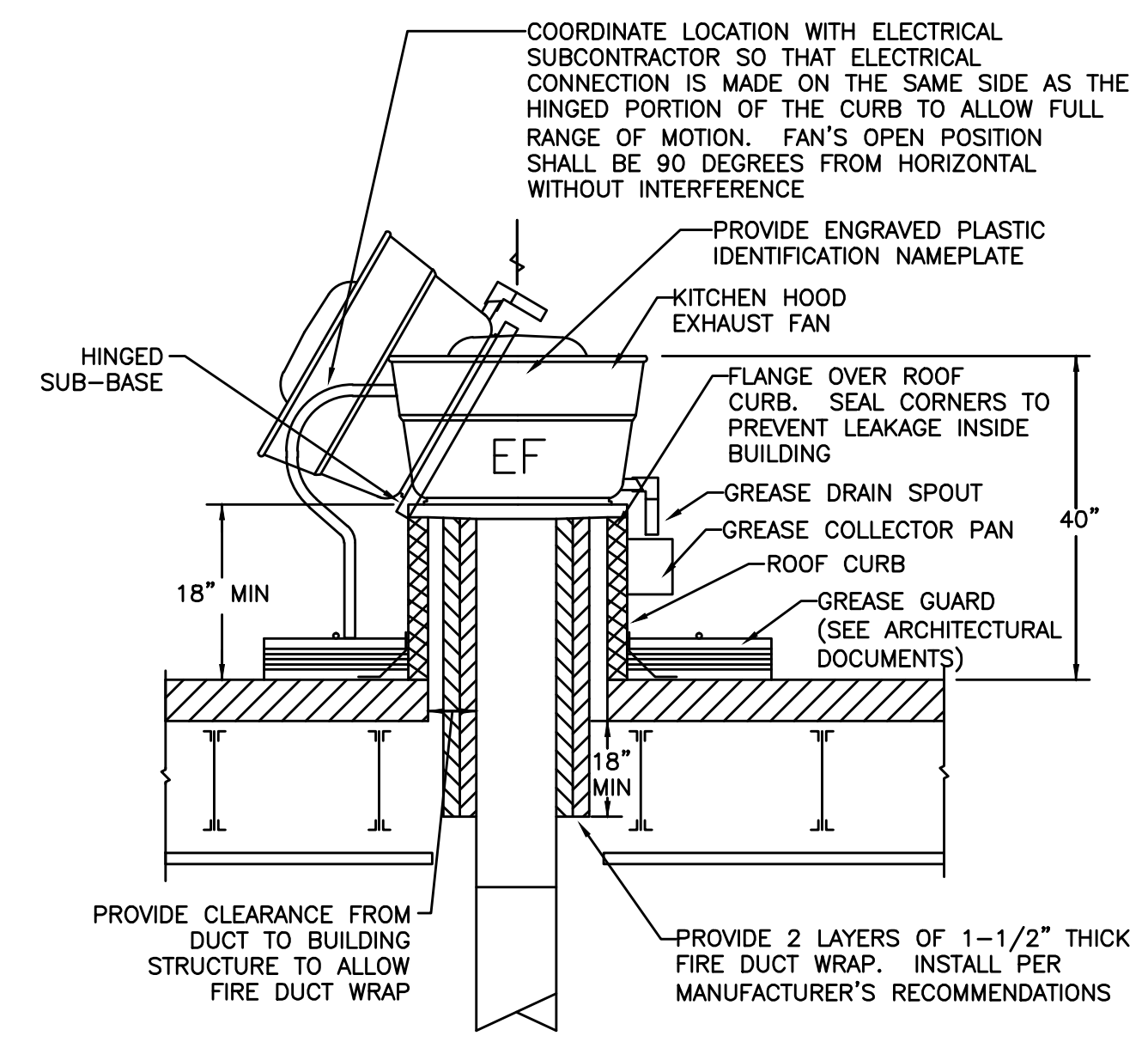
- KEYED NOTES:
- PROVIDE NEMA 1 DISCONNECT SWITCH
 - PROVIDE RUSKIN BACKDRAFT DAMPER BD20A1
 - PROVIDE SOLID STATE SPEED CONTROL
 - PROVIDE THERMAL OVERLOAD FOR MOTOR
 - PROVIDE 14" ROOF CURB
 - PROVIDE 1/2" MESH GALVANIZED BIRDSCREEN
 - PROVIDE ROOF CURB HEIGHT SATISFACTORY TO, SUCH THAT FAN DISCHARGE IS 40" MINIMUM ABOVE ROOF LEVEL
 - PROVIDE PSC MOTOR

KITCHEN EXHAUST HOOD SCHEDULE														NOTES		
TAG	MANUFACTURER	MODEL	SERVICE	LENGTH / WIDTH / HEIGHT	EXHAUST COLLAR CFM	PD (IN WC)	COLLAR CFM	PD (IN WC)	MOUNTING HEIGHT	MATERIAL (100%)	LIGHTS (QTY & TYPE)	CLOSURE COLLAR HEIGHT	DAMPER			
H-1	GREENHECK	GHPW	Ovens/Fryer/ROTT	2187/224	(2) 22 x 9	4,500	0.49	(2) 40 x 8	3,150	0.07	7'-0" AFF	304 SS	6 CFL	60"	NONE	1, 2, 3, 4, 5
H-2	GREENHECK	GHPW	GRILLES	1448/624	26 x 10	2,750	0.41	(1) 40 x 10	1,925	0.06	7'-0" AFF	304 SS	4 CFL	60"	NONE	2, 3, 4, 5
H-3	GREENHECK	GD2	DISHWASHER	484/824	14 x 12	600	0.03	N/A	N/A	N/A	7'-0" AFF	304 SS	N/A	NONE	NONE	4, 5

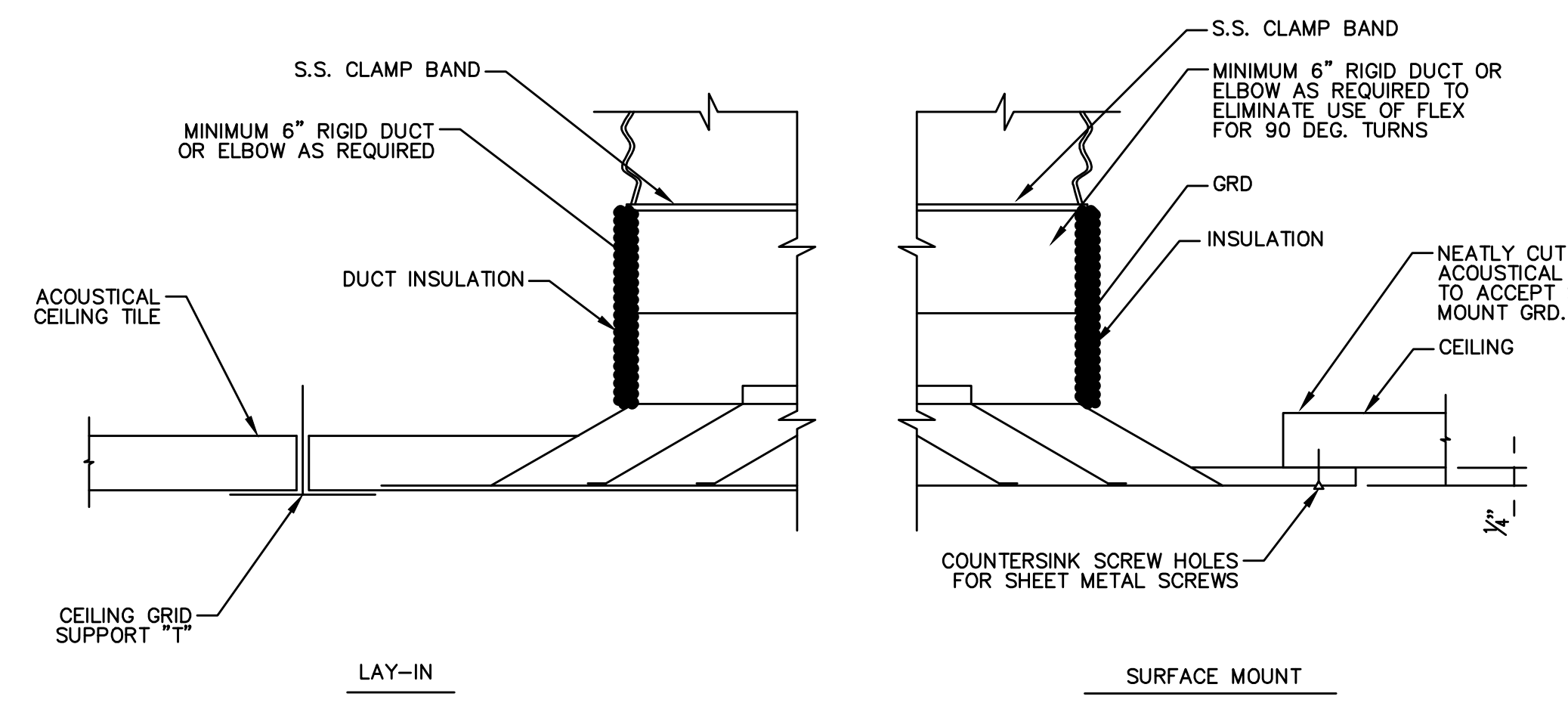
- NOTES:
- PROVIDE HOOD IN 2 SECTIONS
 - PROVIDE 3" STANDOFF AT BACK OF HOOD
 - PROVIDE FIRE SUPPRESSION SYSTEM - SEE DETAIL ON SHEET M501
 - MECHANICAL CONTRACTOR IS RESPONSIBLE FOR START-UP OF THIS EQUIPMENT
 - PROVIDE STAINLESS STEEL CLOSURE PANELS TO 6" ABOVE CEILING MATCHING HOOD FINISH.



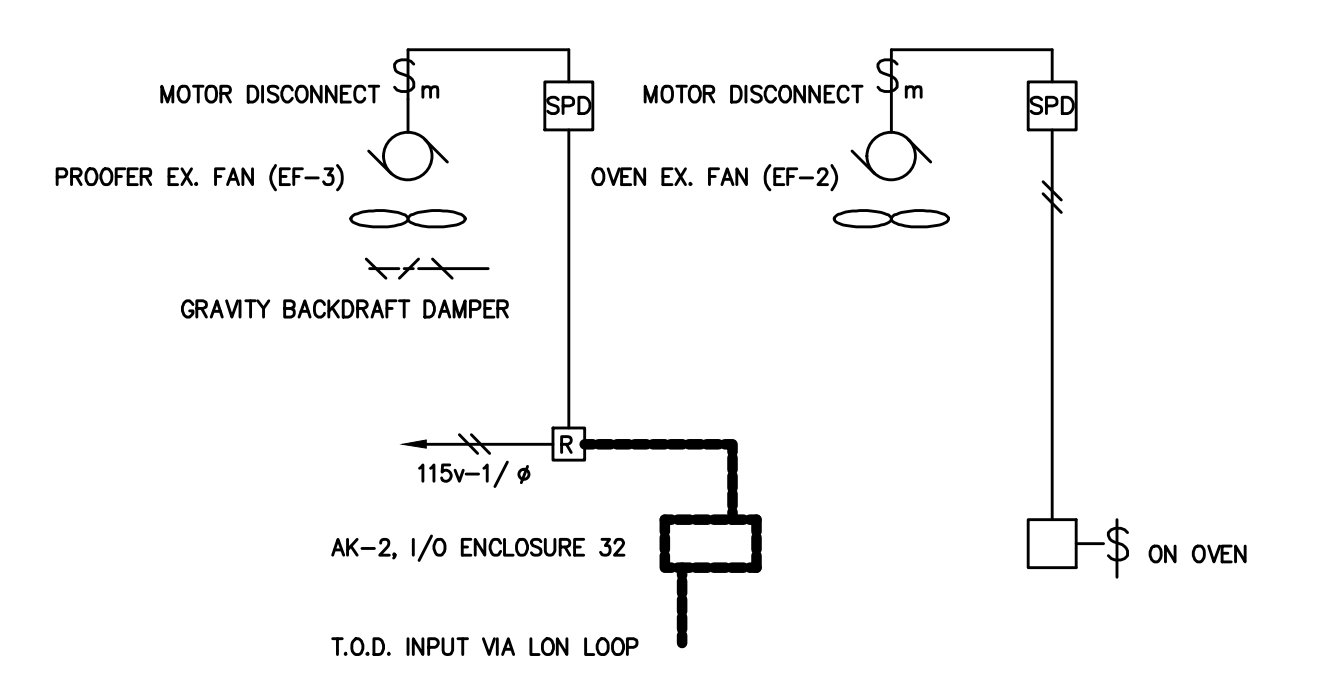
C2 ROOFTOP EXHAUST FAN DETAIL
SCALE: NOT TO SCALE



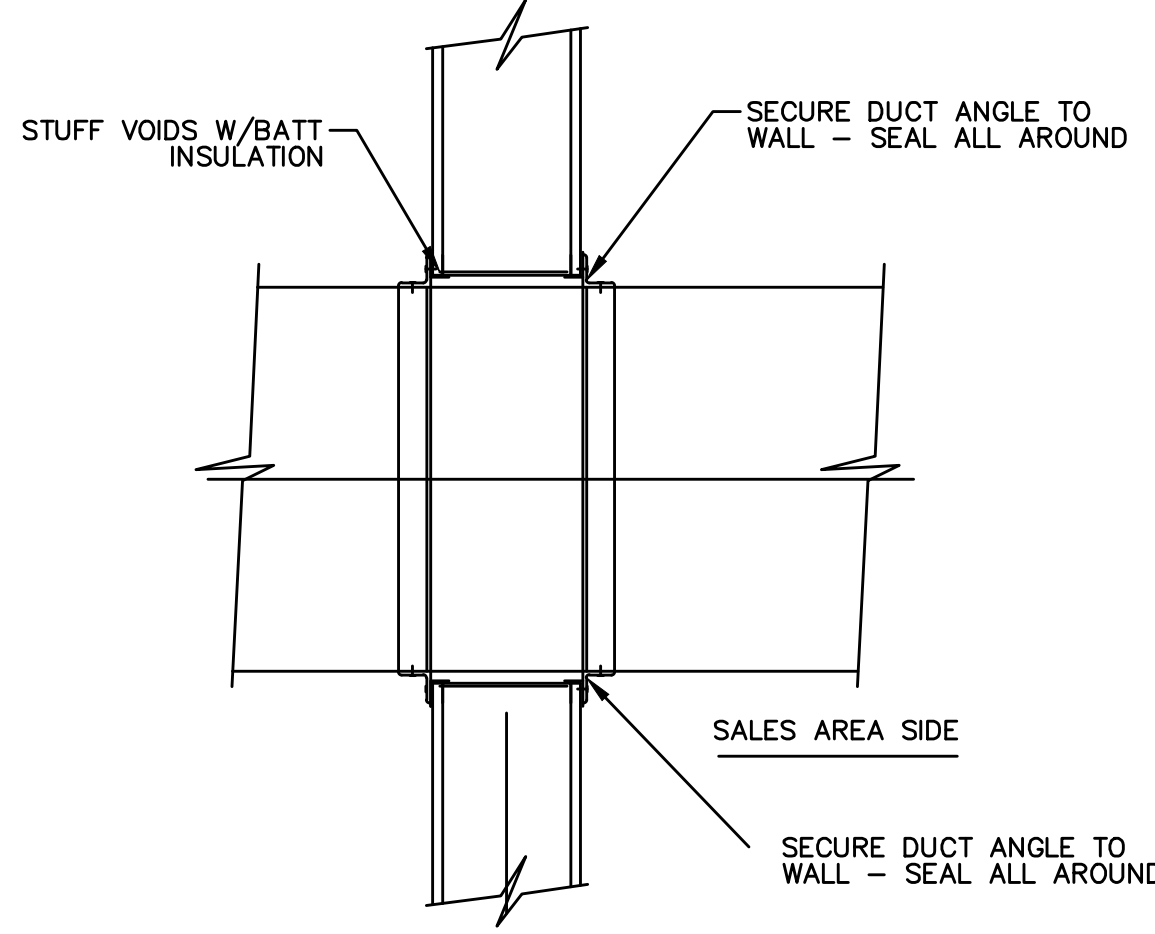
C3 KITCHEN HOOD EXHAUST FAN DETAIL
SCALE: NOT TO SCALE



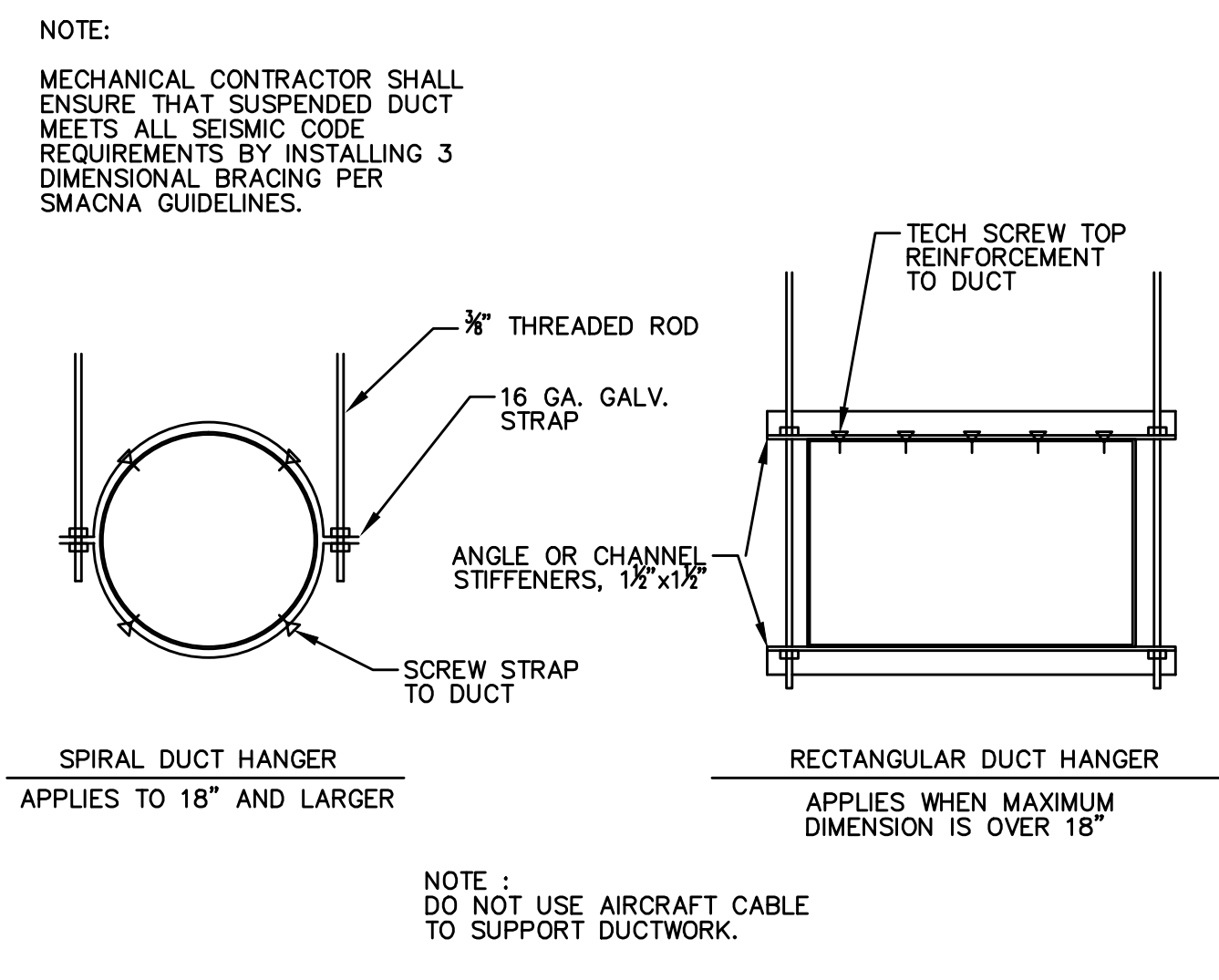
C4 GRD MOUNTING DETAIL
SCALE: NOT TO SCALE



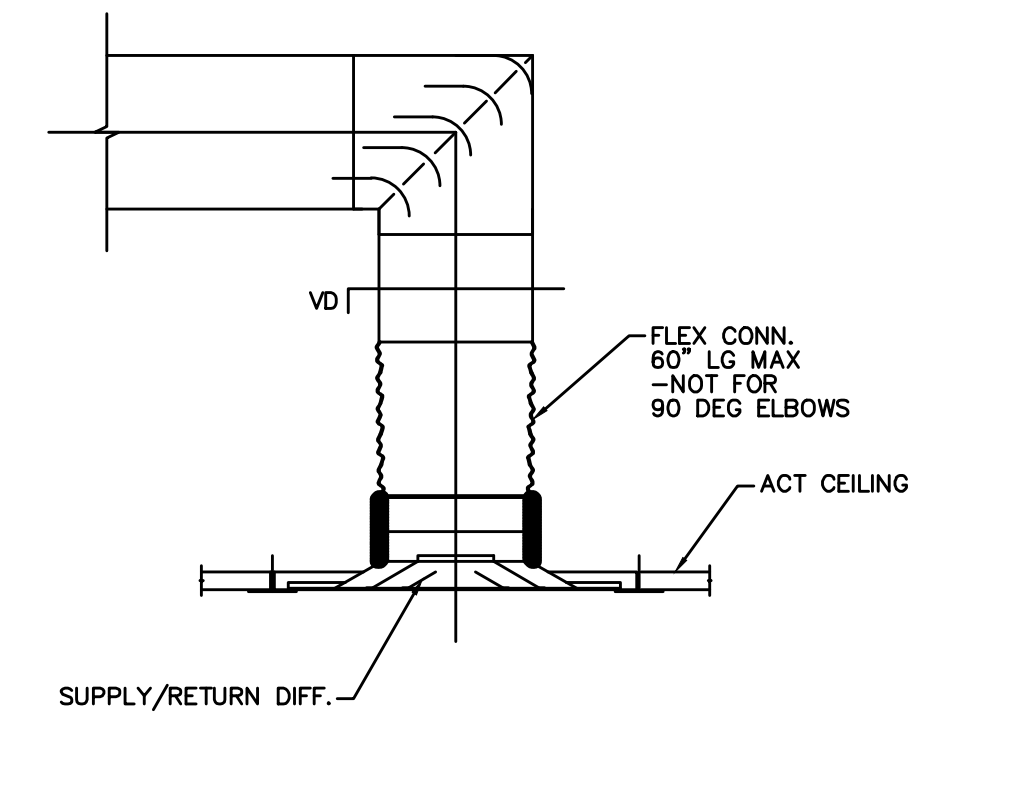
B1 BAKERY OVEN/PROOFER EXHAUST FAN CONTROL SCHEMATIC
SCALE: NOT TO SCALE



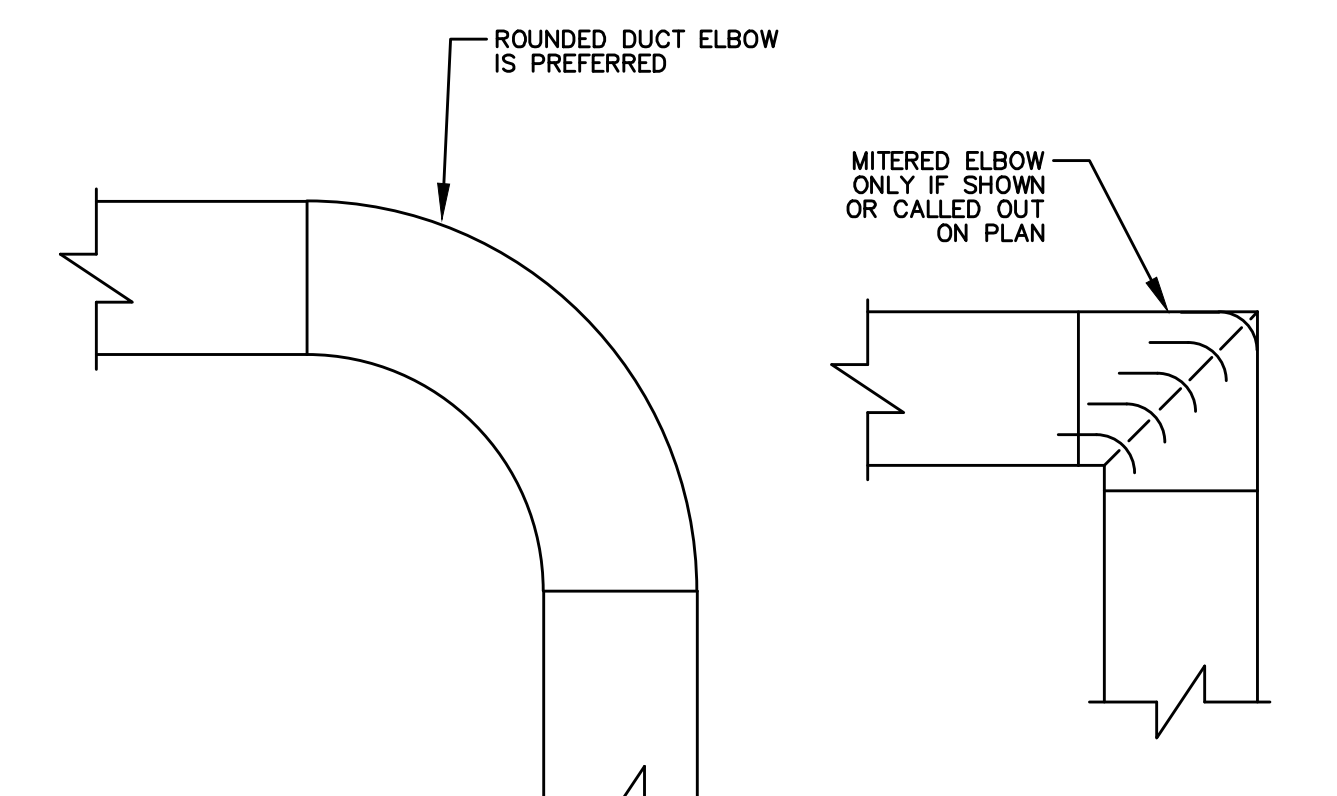
B2 DUCT PENETRATION THRU WALL
SCALE: NOT TO SCALE



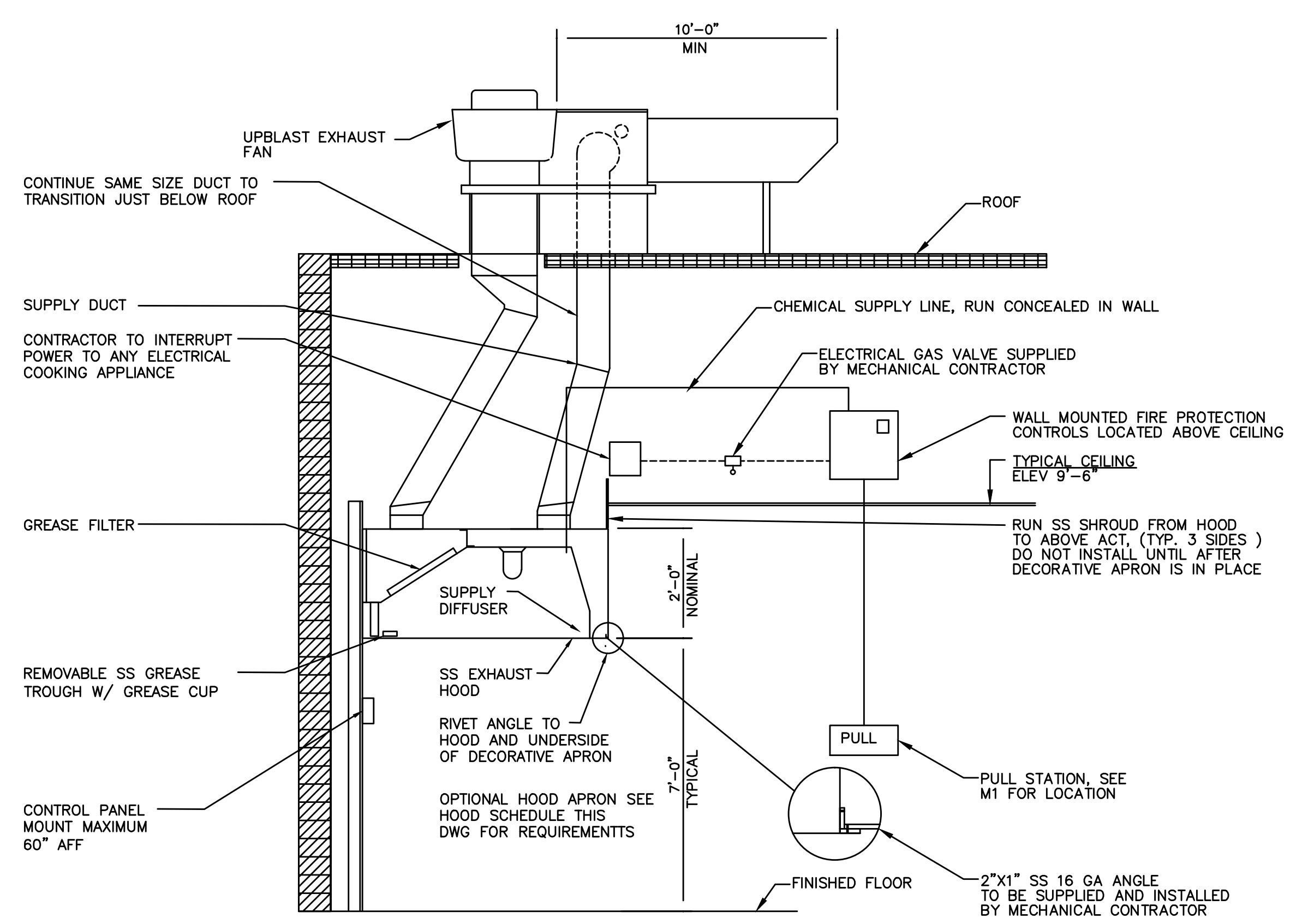
E1 DUCT HANGING DETAIL
SCALE: NOT TO SCALE



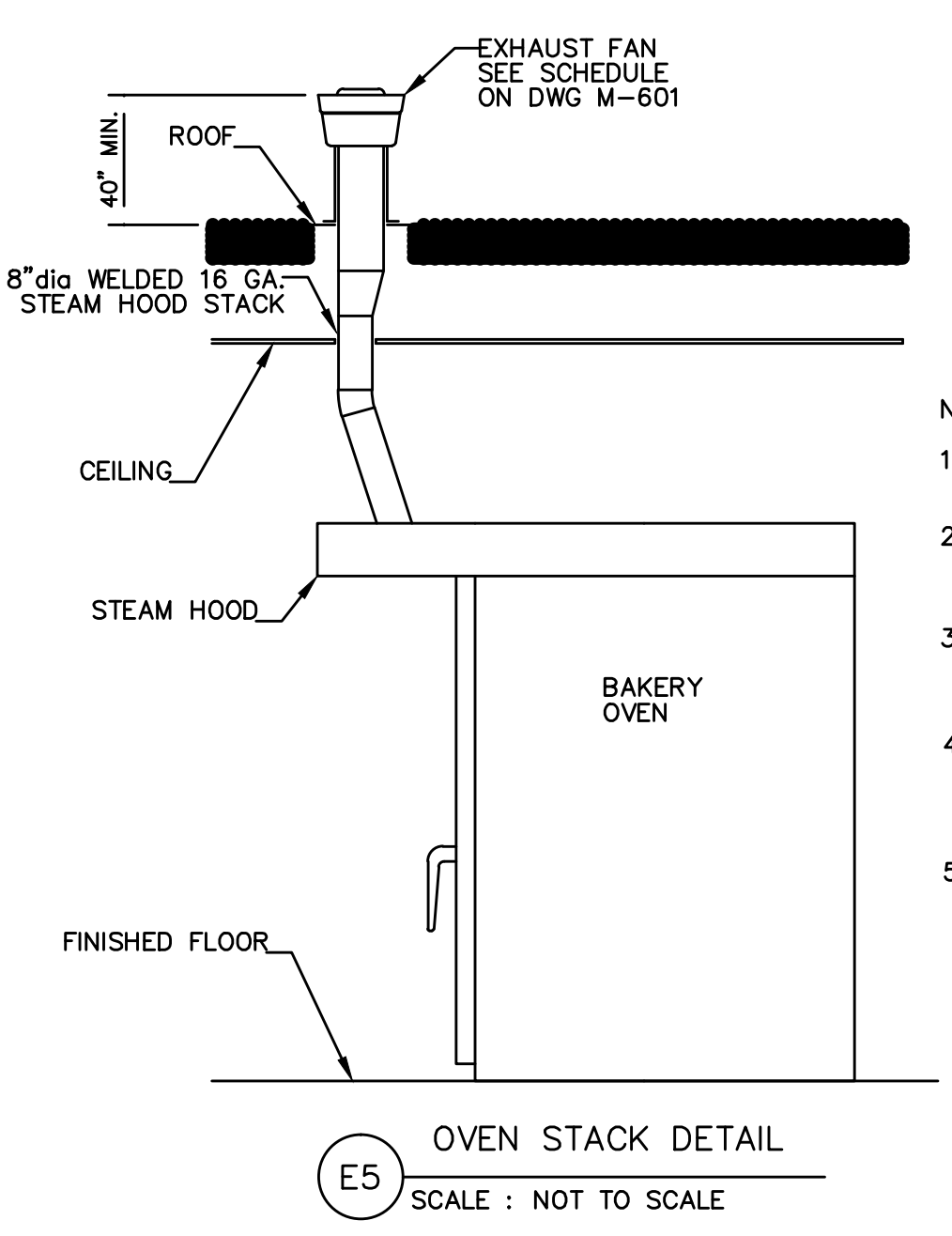
E2 FLEX CONN. DETAIL
SCALE: NOT TO SCALE



E3 DUCT ELBOWS DETAIL
SCALE: NOT TO SCALE



- NOTES:
- FIRE PROTECTION SYSTEM FURNISHED BY HOOD MANUFACTURER.
 - ALL SYSTEM COMPONENTS SHOWN (EXCEPT OPTIONAL DECORATIVE APRON) SHALL BE SUPPLIED BY THE HOOD MANUFACTURER.
 - THE MECHANICAL CONTRACTOR SHALL FURNISH & INSTALL STAINLESS STEEL SIGHT SCREEN AROUND DUCTS TO FILL SPACE BETWEEN THE CEILING AND THE HOOD. TO BE INSTALLED AFTER THE DECORATIVE APRON ON HOOD WHERE REQUIRED.
 - ANY DUCT OFFSET ANGLE FROM VERTICAL MUST BE LESS THAN 45 DEGREES. NO HORIZONTAL SECTIONS PERMITTED FOR THE EXHAUST STACK.
 - APPROPRIATE ACCESS PANELS FOR CLEANING EXHAUST DUCT MUST BE INCLUDED.
 - FIELD MEASUREMENT REQUIRED TO LOCATE AND FABRICATE SUPPLY & EXHAUST DUCT.
 - CONFIRM EXACT LOCATION OF PULL STATION AND FIRE PROTECTION CONTROLS WITH ENGINEER PRIOR TO INSTALLATION. ANSUL MUST NOT BE MOUNTED TO SIDE OF HOOD WHERE DEC. APRONS ARE REQUIRED.
 - MECHANICAL CONTRACTOR IS RESPONSIBLE FOR FURNISHING BOTH THE GAS VALVE AND THE ELECTRICAL CONTRACTOR.
 - AIR BALANCING OF THE HOOD IS THE RESPONSIBILITY OF THE AIR BALANCING CONTRACTOR.



E5 OVEN STACK DETAIL
SCALE: NOT TO SCALE

- NOTES:
- REFER TO SHEET M101 FOR POSSIBLE OFFSETS IN STACKS.
 - FIELD MEASUREMENT REQUIRED BEFORE FINAL EXHAUST DUCT IS FABRICATED.
 - 8" DIA DUCT FABRICATION AND INSTALLATION INCLUDES NECESSARY COLLARS.
 - HOOD EXHAUST FAN SHALL BE INTERLOCKED WITH OVEN CONTROLS TO OPERATE ONLY WHEN OVEN IS IN USE.
 - ANY OFFSET ANGLE FROM VERTICAL MUST BE LESS THAN 45 DEGREES. NO HORIZONTAL SECTIONS PERMITTED FOR ANY EXHAUST STACK.

WBRC
ARCHITECTS + ENGINEERS
1000 STATE STREET, SUITE 200
PORTLAND, ME 04101
TEL: 603.761.1111
WWW.WBRC-ARCHITECTS.COM

STATE OF MAINE
REGISTERED PROFESSIONAL ENGINEER
RICHARD J. ROLLINS, JR.
06.19.15

REVISIONS

NO.	DATE	BY	REVISIONS
0	06.19.15		ISSUE FOR CONSTRUCTION

MECHANICAL DETAILS

AS NOTED Design
06.19.15 Drawn
Scale
Date

HANNAFORD STORE #8351 295 FOREST AVE.
PORTLAND, ME
LIMITED USE NOTE.

Sheet No. **M501**
Store No. 8891