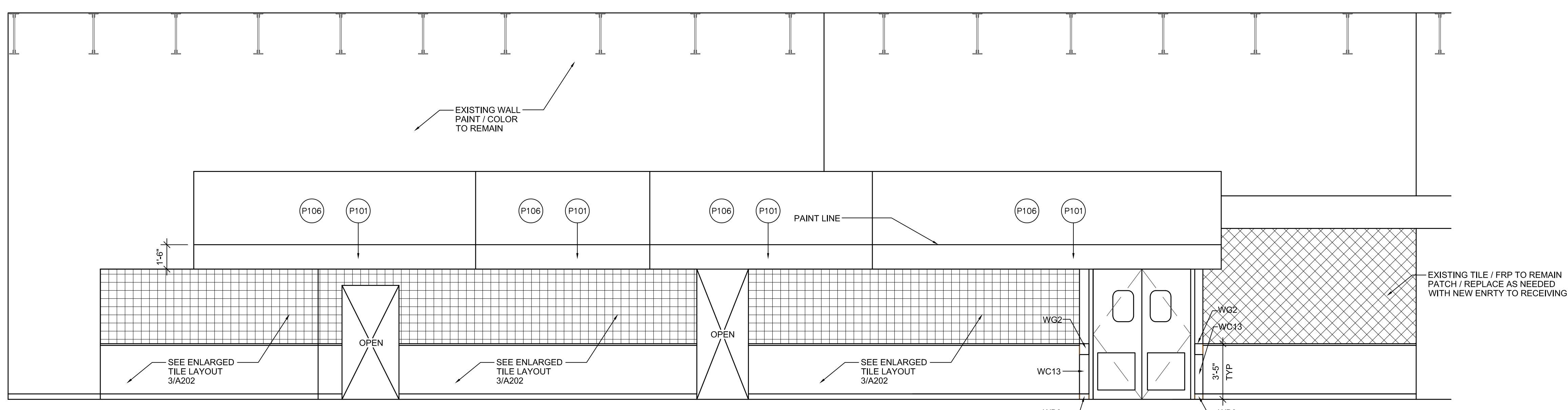
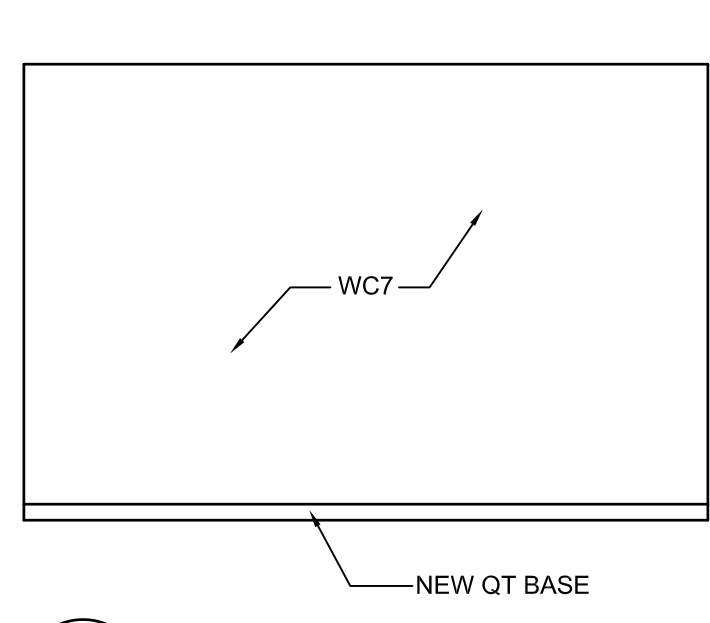


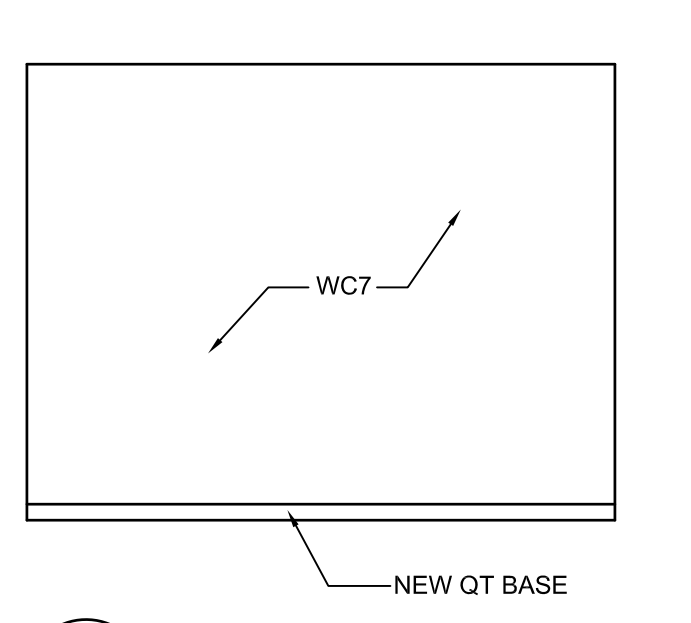
A BAKERY / BAKERY PREP
1/2" = 1'-0"



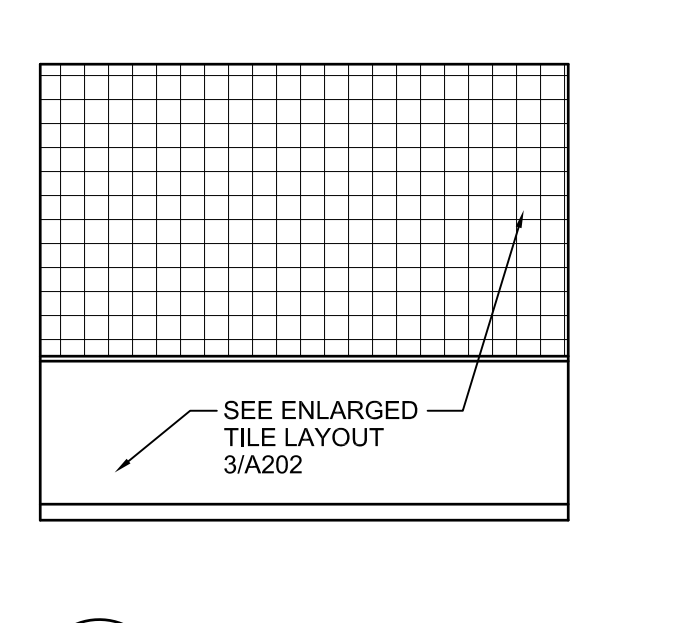
B HMS / HMS PREP
1/2" = 1'-0"



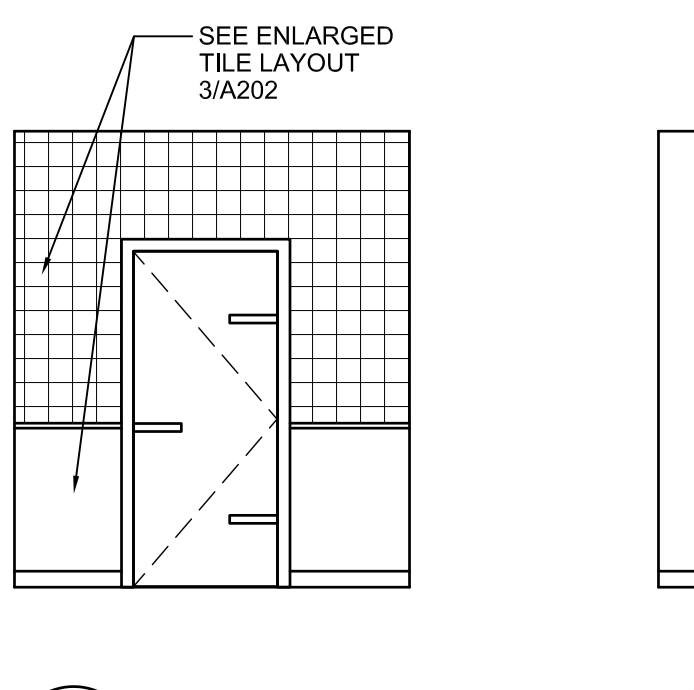
P STORAGE
1/2" = 1'-0"



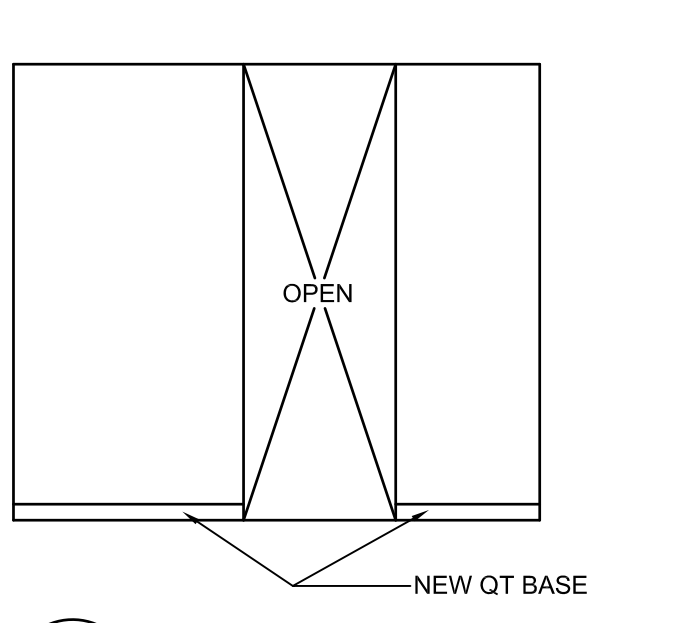
Q STORAGE
1/2" = 1'-0"



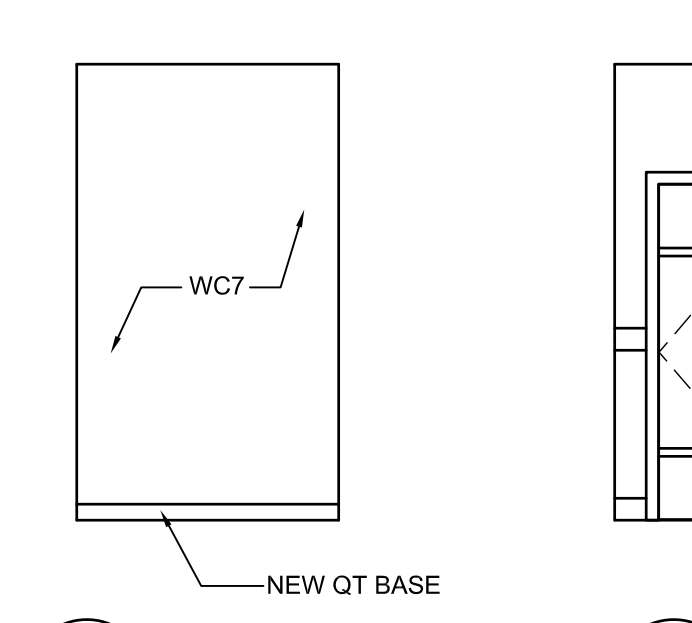
R HMS PREP
1/2" = 1'-0"



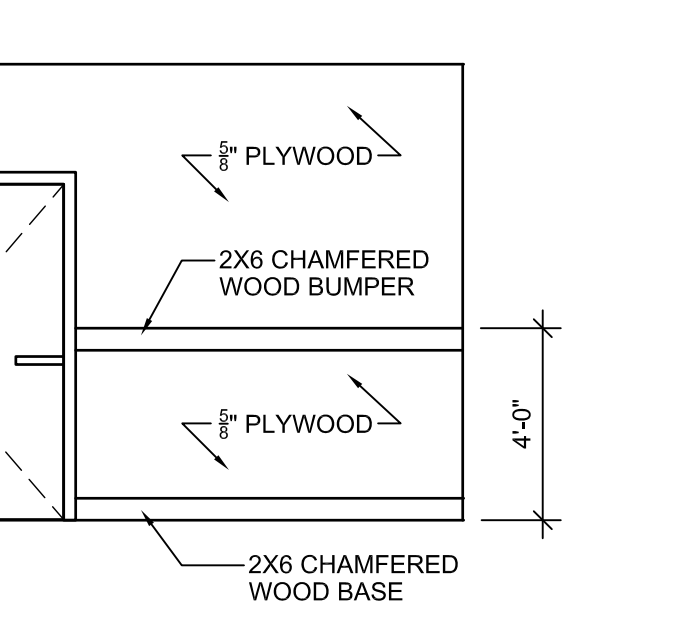
S HMS PREP
1/2" = 1'-0"



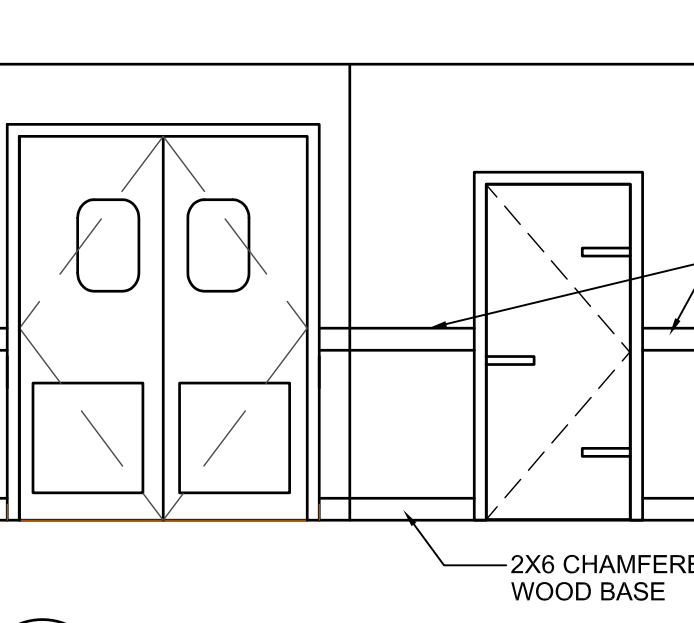
T HMS PREP
1/2" = 1'-0"



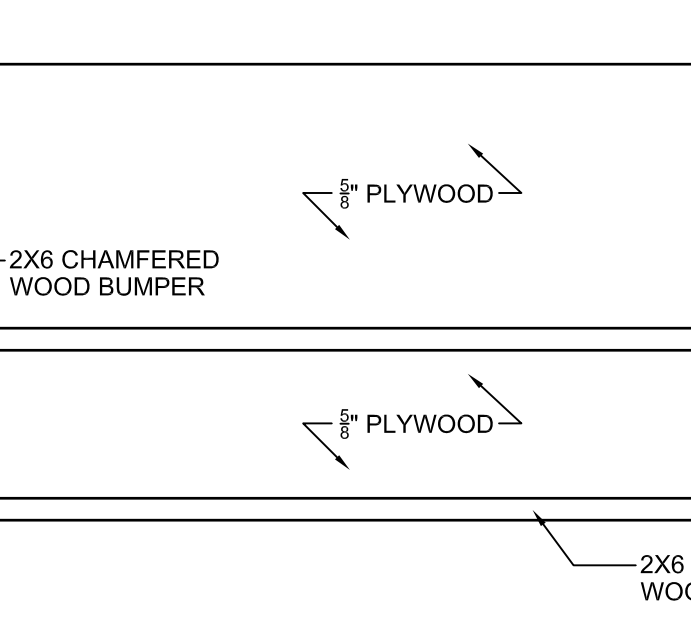
U HMS PREP
1/2" = 1'-0"



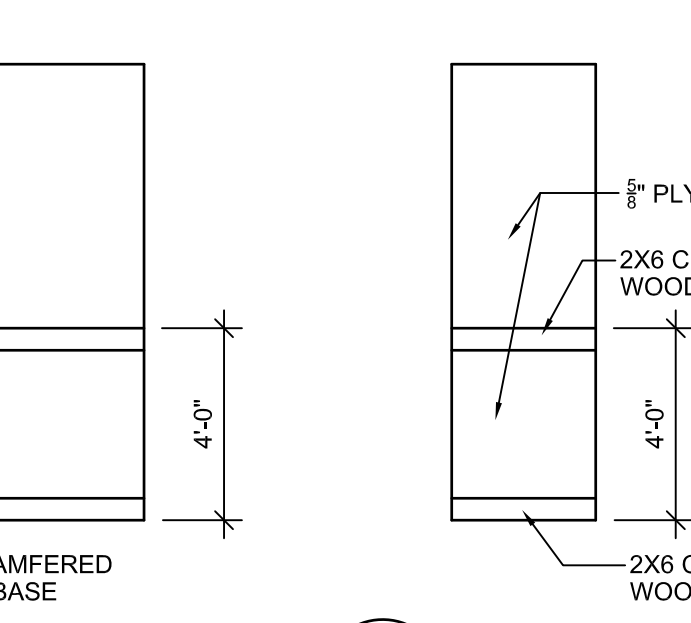
V RECEIVING
1/2" = 1'-0"



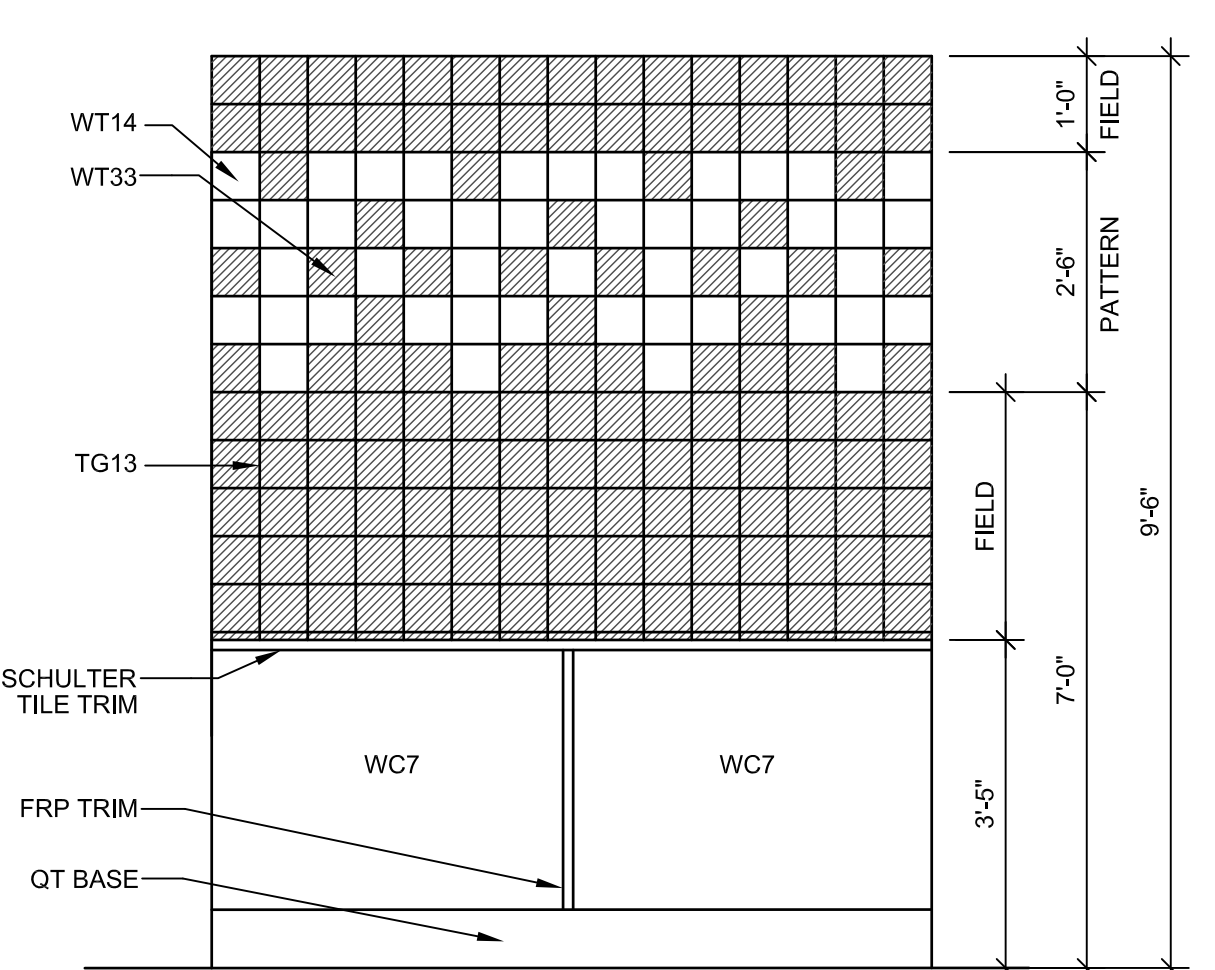
W RECEIVING
1/2" = 1'-0"



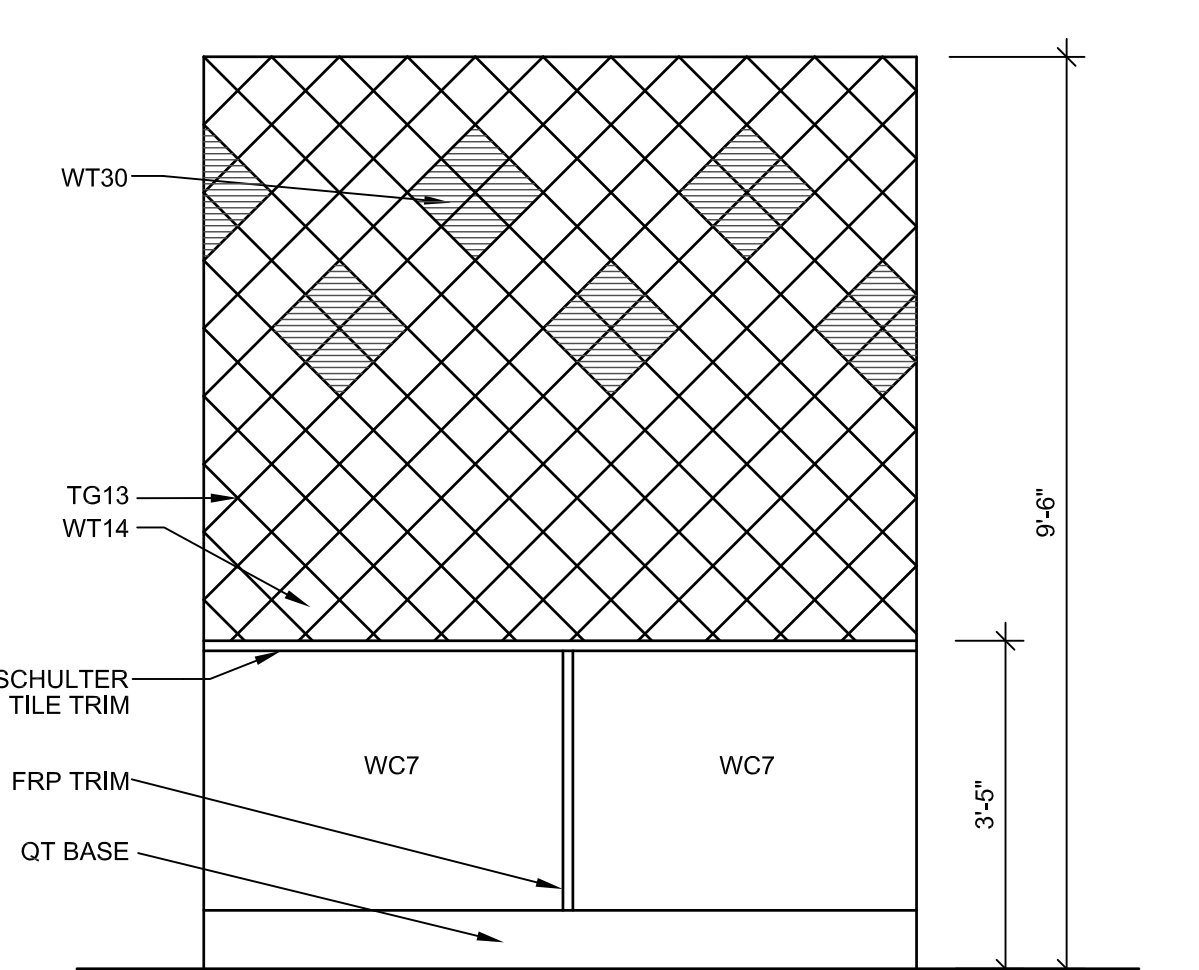
X RECEIVING
1/2" = 1'-0"



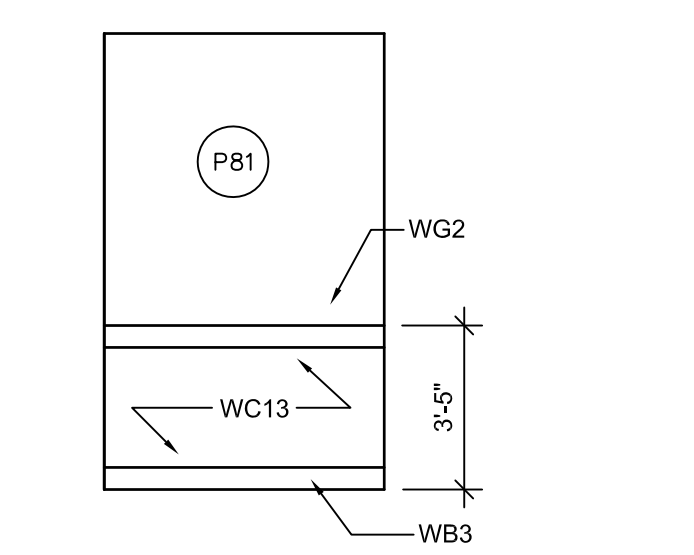
Y HMS PREP / RECEIVING
1/2" = 1'-0"



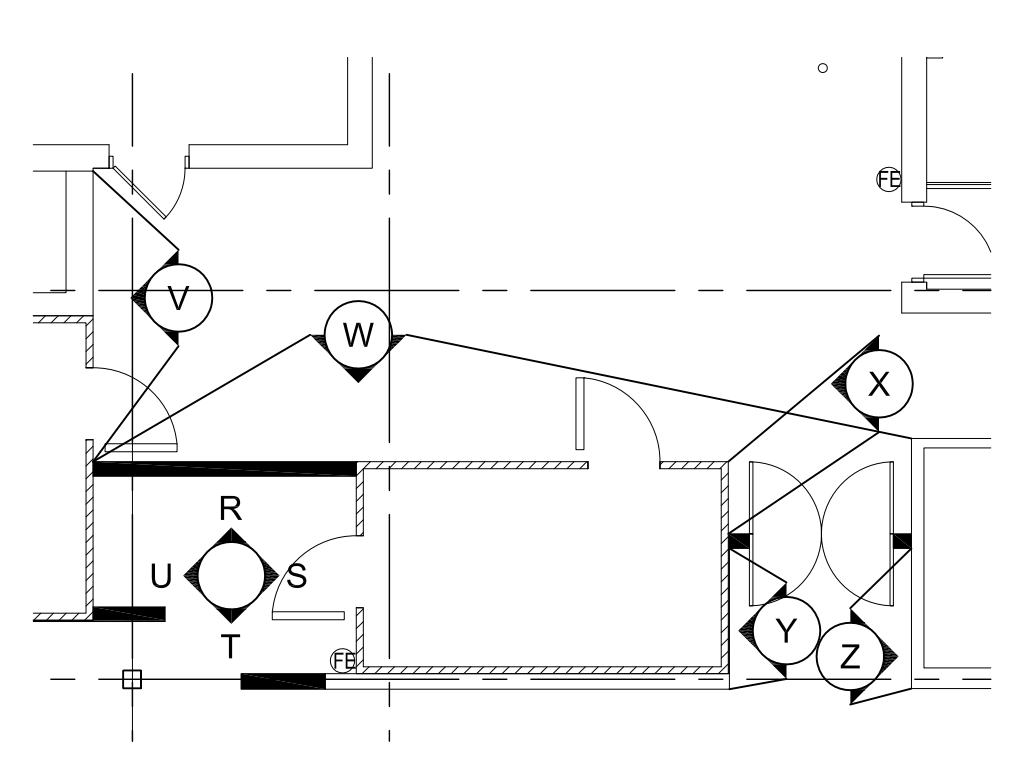
3 HMS TILE PATTERN
1/2" = 1'-0"



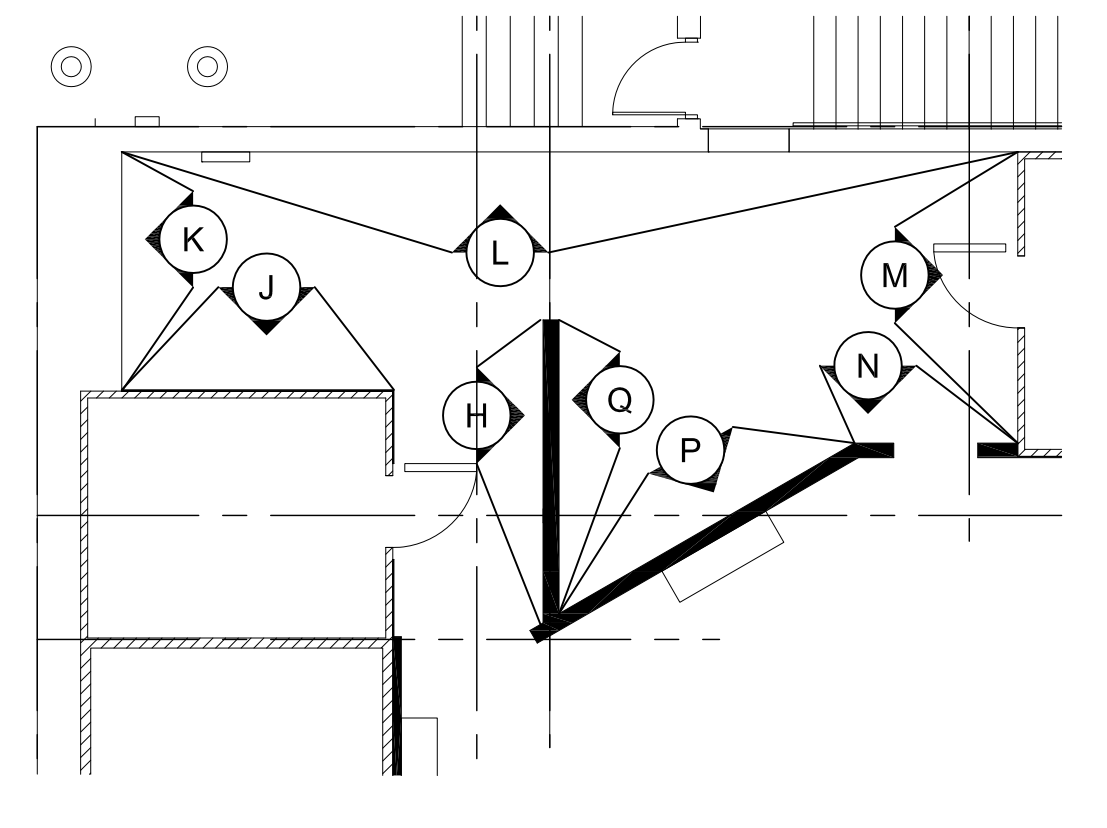
2 BAKERY TILE PATTERN
1/2" = 1'-0"



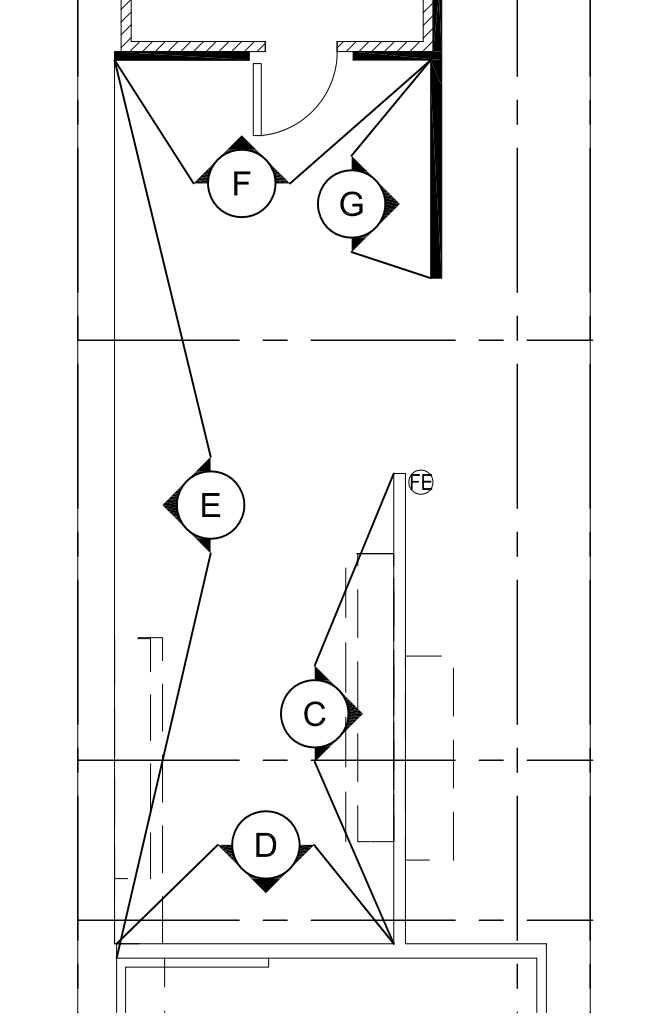
Z DELI / RECEIVING
1/2" = 1'-0"



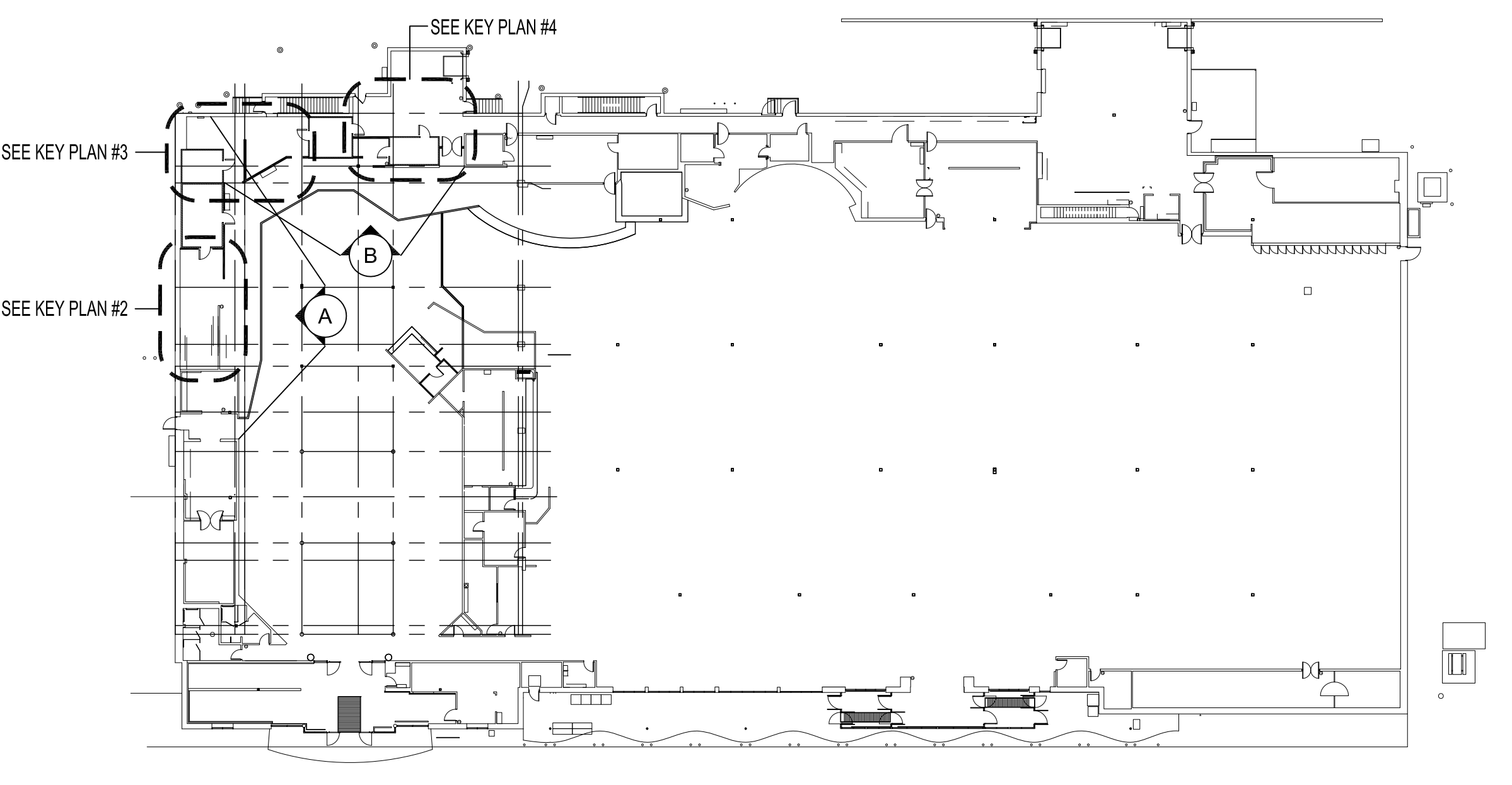
4 KEY PLAN
N.T.S.



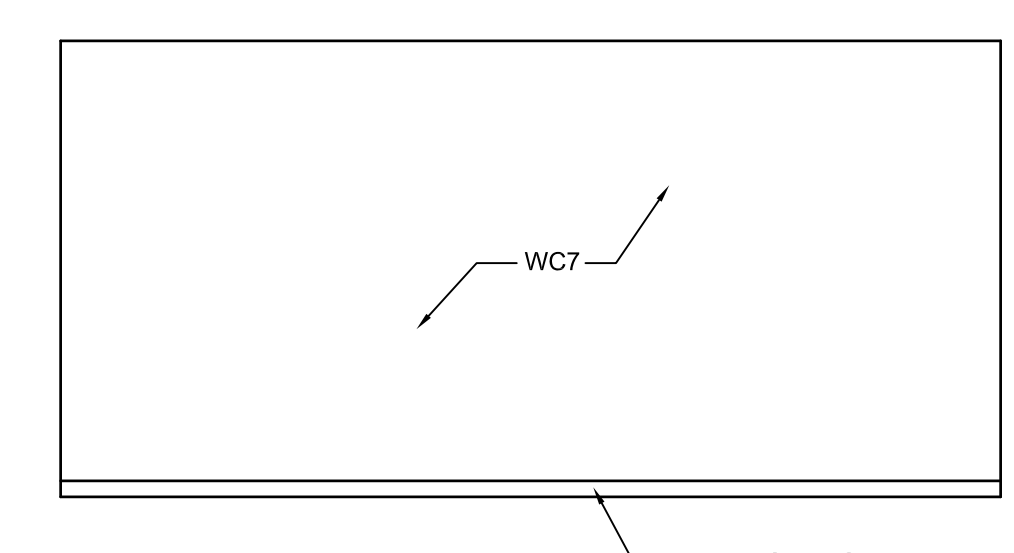
3 KEY PLAN
N.T.S.



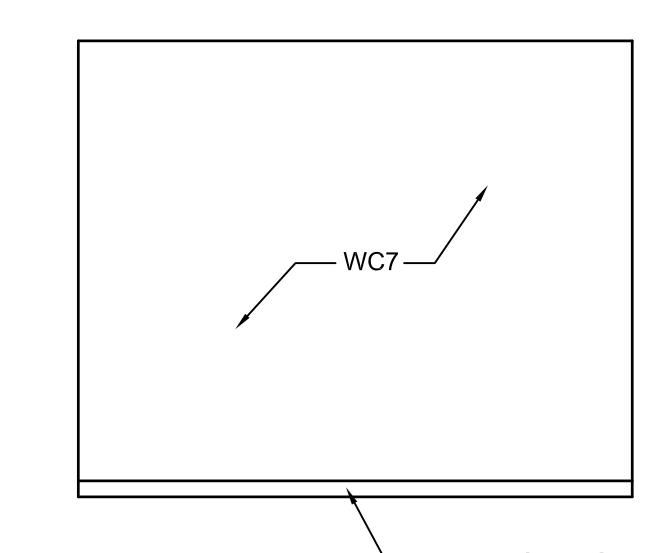
2 KEY PLAN
N.T.S.



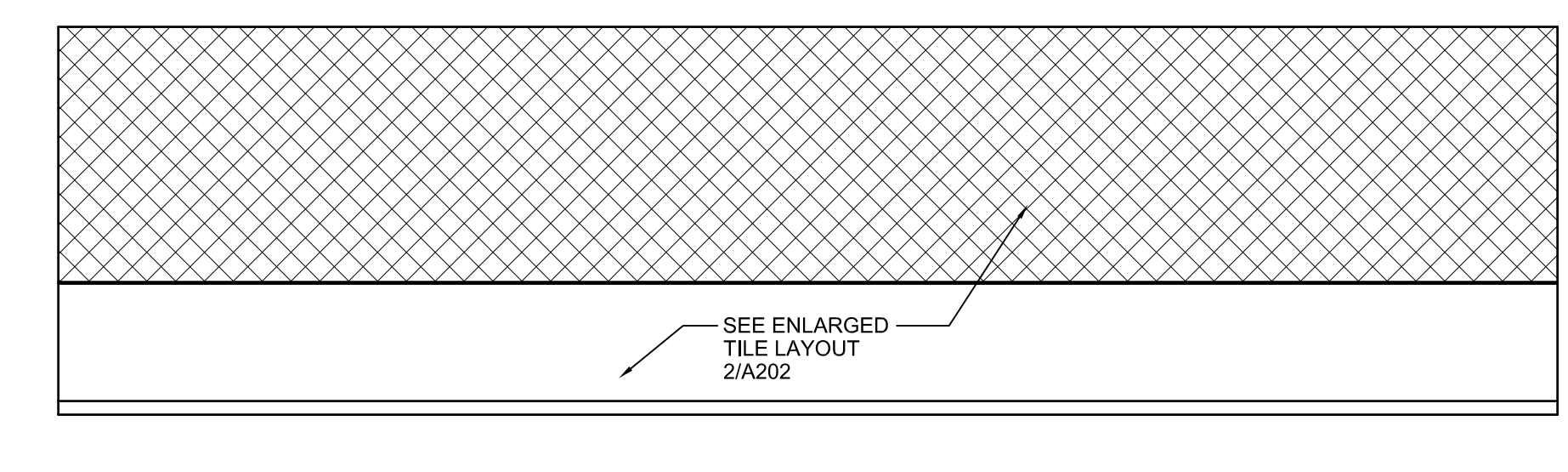
1 KEY PLAN
N.T.S.



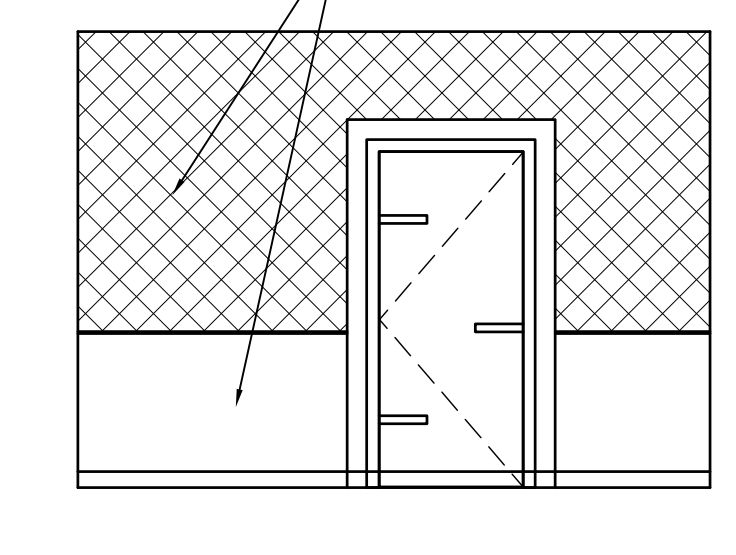
C BAKERY PREP
1/2" = 1'-0"



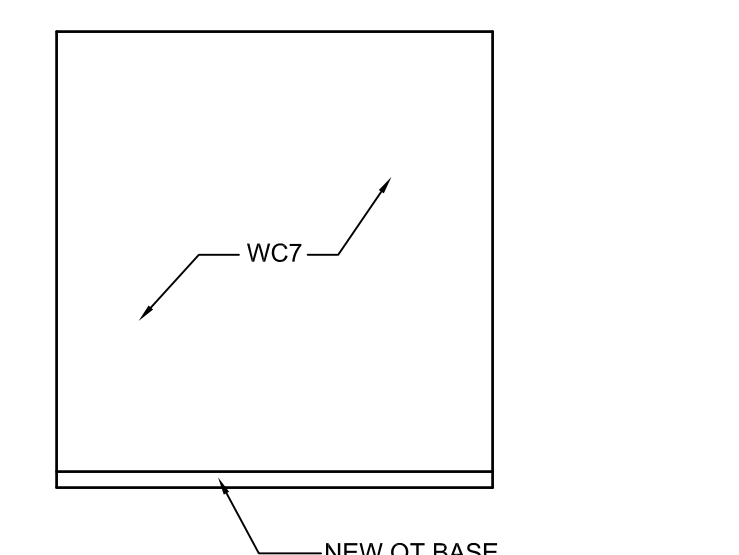
D BAKERY PREP
1/2" = 1'-0"



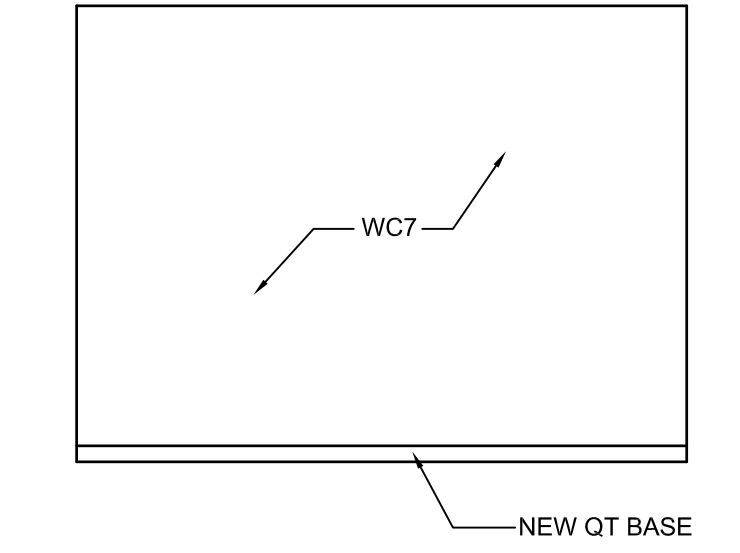
E BAKERY PREP
1/2" = 1'-0"



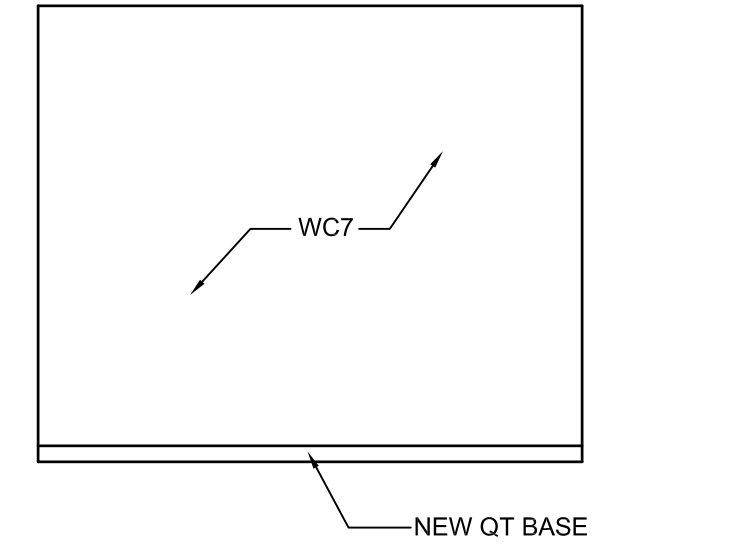
F BAKERY PREP
1/2" = 1'-0"



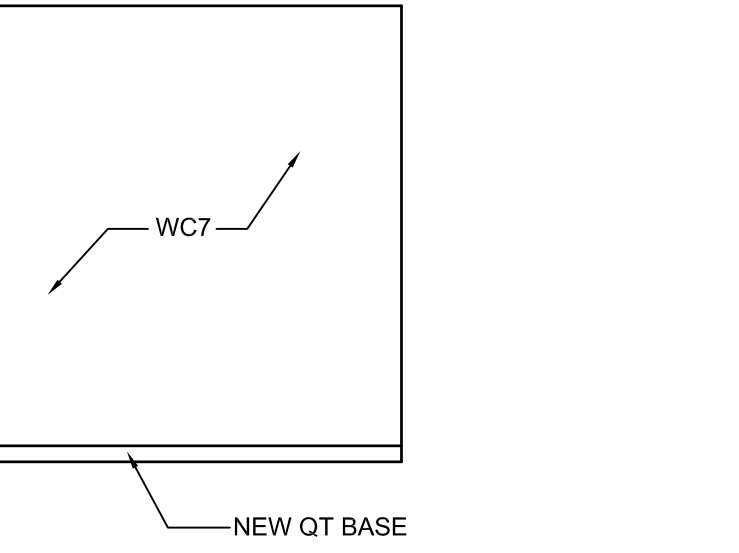
G BAKERY PREP
1/2" = 1'-0"



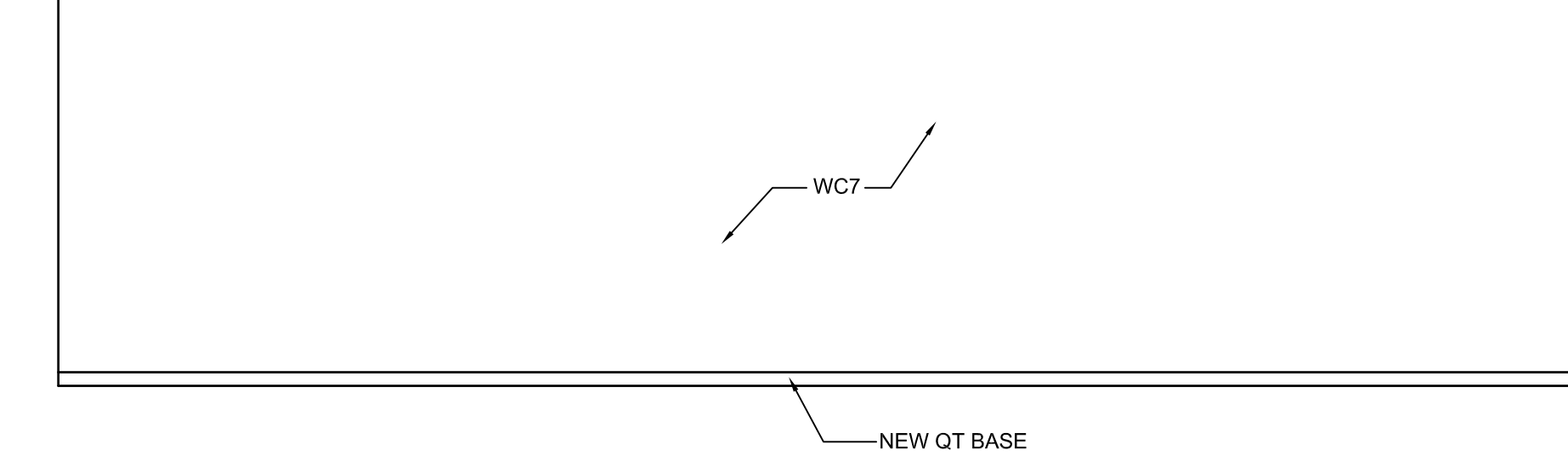
H WARE WASHING
1/2" = 1'-0"



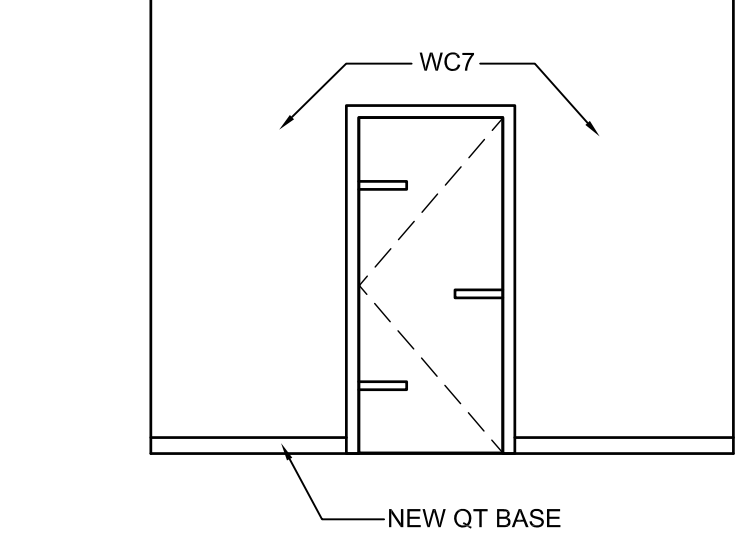
J WARE WASHING
1/2" = 1'-0"



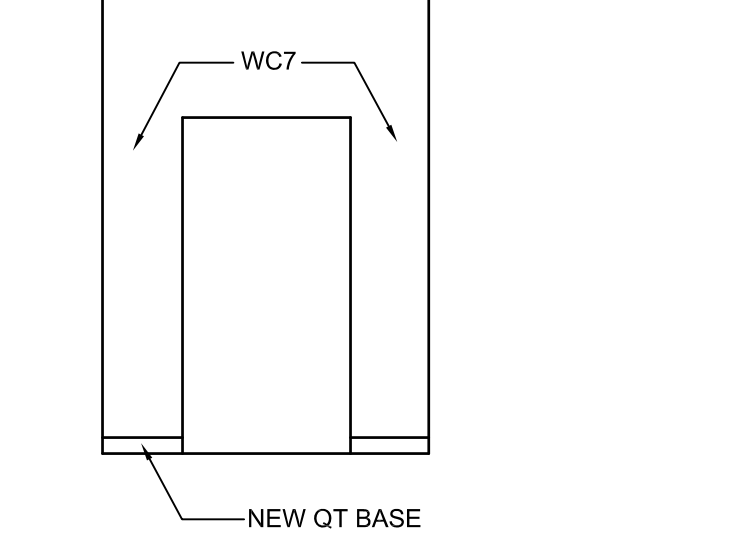
K WARE WASHING
1/2" = 1'-0"



L WARE WASHING / STORAGE
1/2" = 1'-0"



M STORAGE
1/2" = 1'-0"



N STORAGE
1/2" = 1'-0"

NO.	DATE	BY	REVISIONS
1	06.19.15	JET	ISSUE FOR CONSTRUCTION

NO.	DATE	BY	REVISIONS
1	06.19.15	JET	ISSUE FOR CONSTRUCTION