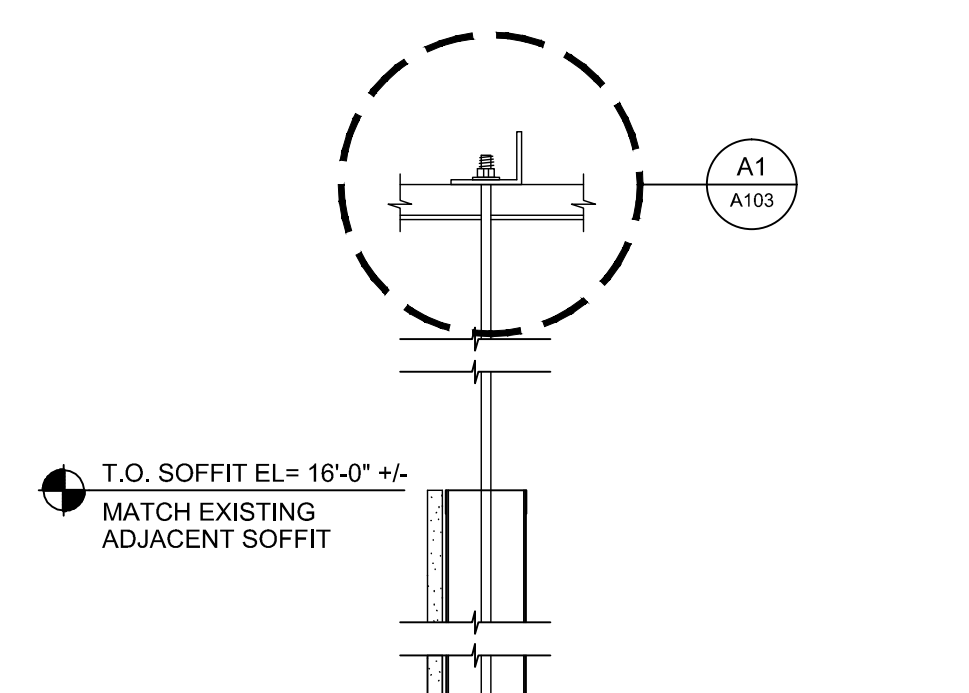
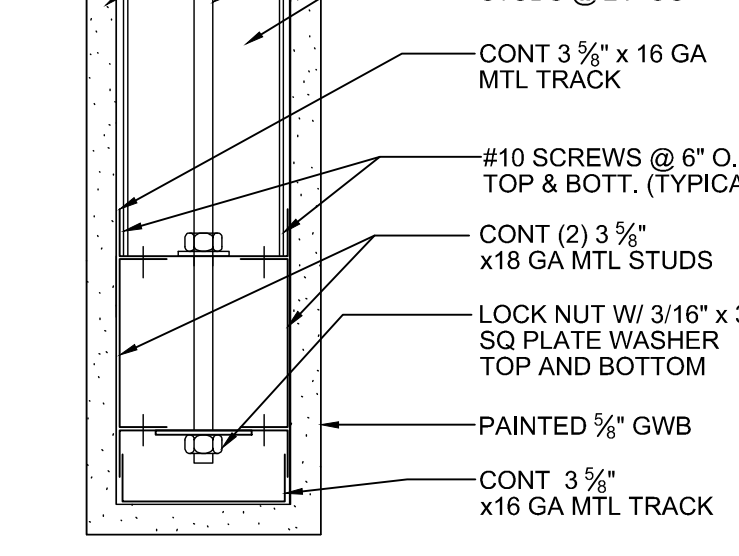


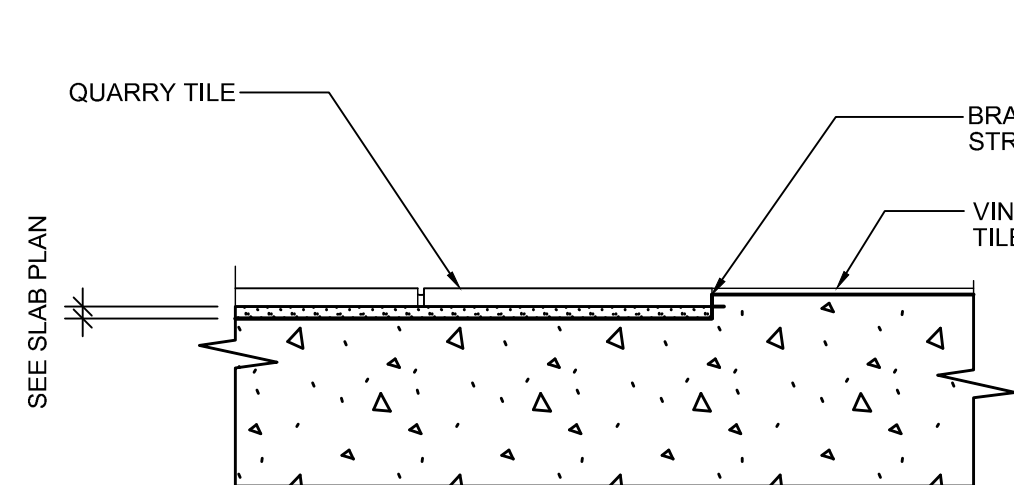
A1 HANGING ROD SUPPORT DETAIL AT SOFFIT  
A103 3/4" = 1'-0"



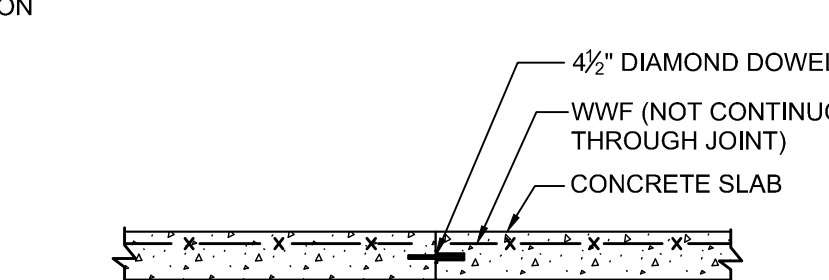
B1 SOFFIT DETAIL  
A103 3/4" = 1'-0"



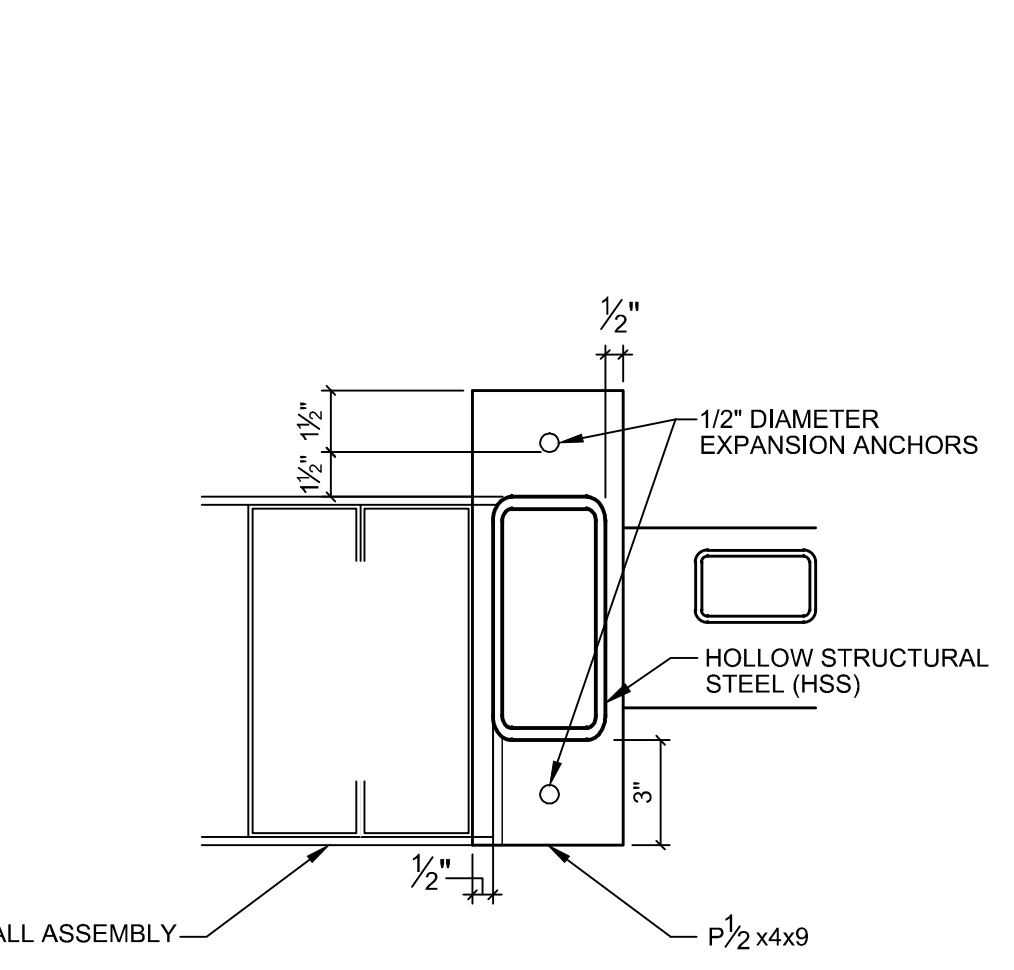
B2 SOFFIT DETAIL  
A103 3/4" = 1'-0"



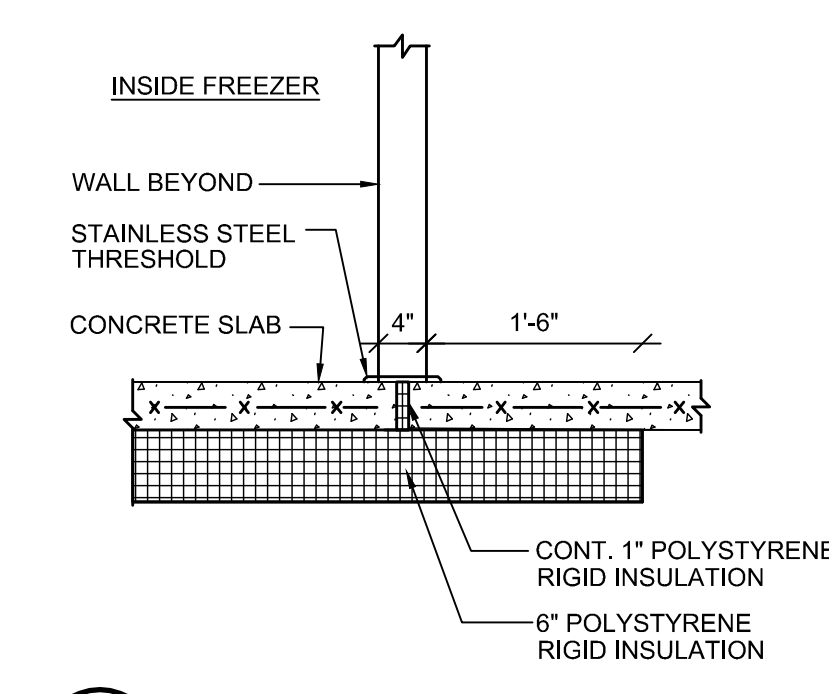
C1 VCT TO QUARRY TILE TRANSITION  
A103 3/4" = 1'-0"



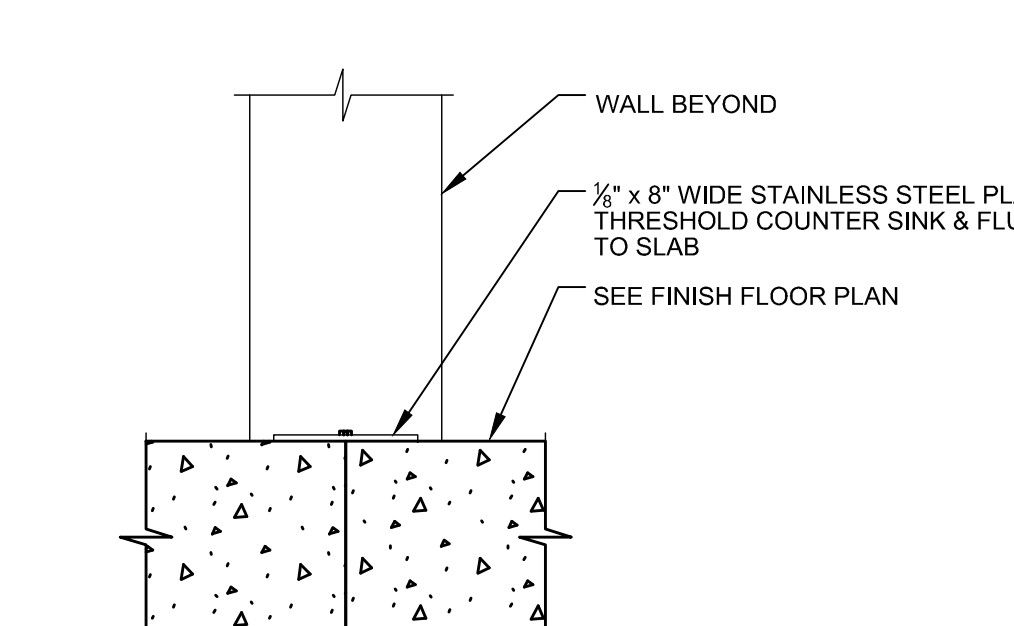
C2 CONSTRUCTION JOINT @ SEPARATE POURS OF INTERIOR SLAB  
A103 3/4" = 1'-0"



C3 PLATE DETAIL AT IMPACT DOORS  
A103 NTS



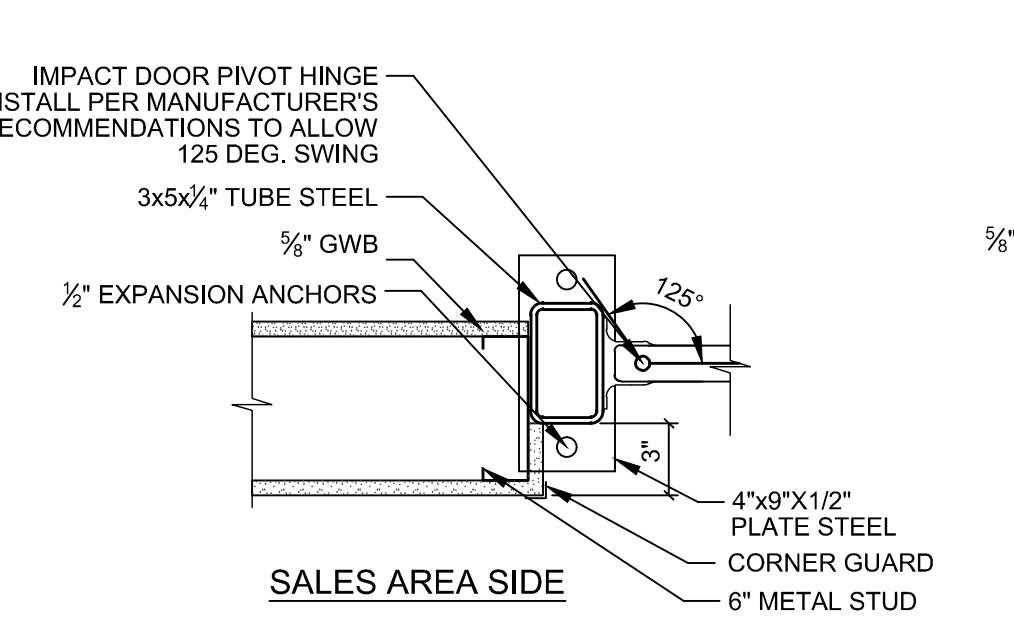
C4 SLAB JOINT AT FREEZER DOOR  
A103 3/4" = 1'-0"



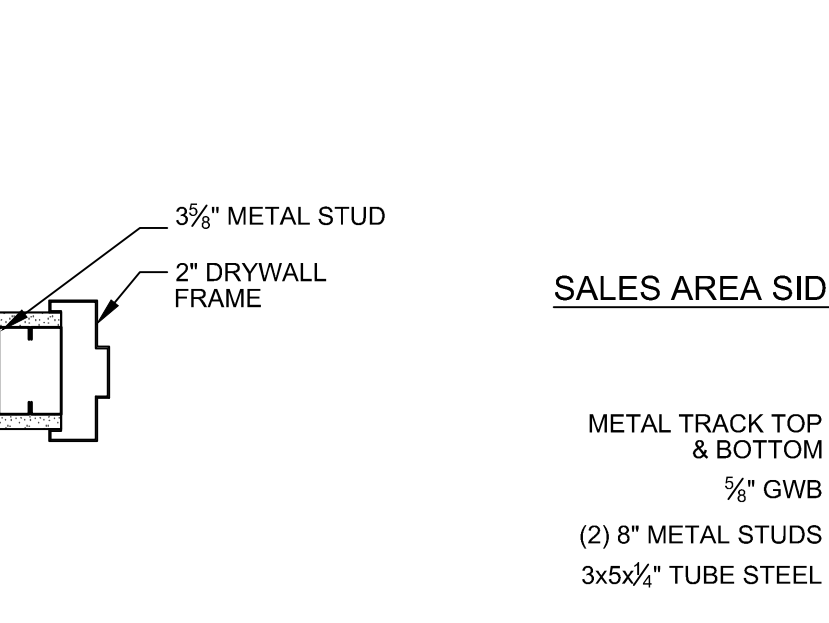
C5 FREEZER SCREED AT SLAB  
A103 3/4" = 1'-0"



D DOOR SILL TYPE  
SCALE: 3/4" = 1'-0"



1 DOOR JAMB DETAILS  
SCALE: 1/2" = 1'-0"



2 DOOR JAMB DETAILS  
SCALE: 1/2" = 1'-0"

**GENERAL NOTES:**

- NEW STRUCTURAL STEEL, METAL DECK, CONDUIT, DUCTS, TUBE FANS, MISCELLANEOUS STEEL ITEMS, ETC. EXPOSED TO VIEW IN THE SALES AREA SHALL BE PAINTED TO MATCH EXISTING.
- COOLER AND FREEZER CEILING ARE BY THE COOLER MANUFACTURER.
- REFER TO ELECTRICAL AND MECHANICAL DRAWINGS FOR EQUIPMENT MOUNTING HEIGHTS.
- ALL WIRE SUPPORTS FOR ACT CEILING SHALL BE PLUMB.
- ALL DIMENSIONS ARE TAKEN TO FINISHED FACE OF WALL OR CENTERLINE OF COLUMN, UNO.
- IN THE EVENT THAT CONFLICT OCCURS BETWEEN THIS REFLECTED CEILING PLAN AND MECHANICAL OR ELECTRICAL DRAWINGS REGARDING THE EXACT LOCATION OF LIGHT FIXTURES, GRILLES, AND OTHER DEVICES, THE GENERAL CONTRACTOR SHALL NOTIFY THE ARCHITECT IMMEDIATELY.
- ALL PENETRATIONS OF COOLERS AND FREEZERS SHALL BE FOAM SEALED BOTH INSIDE AND OUTSIDE BY GENERAL CONTRACTOR.
- RACK OVEN IS TO BE INSTALLED BEFORE THE CEILING IS INSTALLED.
- THE SPRINKLER CONTRACTOR AND MECHANICAL CONTRACTOR SHALL LEAVE MINIMUM 12" CLEAR FROM THE FACE OF THE GRID IN THE SPACE ABOVE THE GRID TO ALLOW FOR THE DEPTH OF THE RECESSED LIGHTING WHEN DESIGNING AND INSTALLING THEIR SYSTEMS.
- ALL VISIBLE CEILING MOUNTED DIFFUSERS, PLATES & GRILLES SHALL BE PAINTED TO MATCH ADJACENT CLG FINISH.
- CEILING ELEVATION ON THIS SHEET UTILIZES A FINISH FLOOR ELEVATION OF 9'-0" (EQ TO 100'-0").
- SEE CEILING FINISH SCHEDULE BELOW FOR FINISHES.
- SEE SOFFIT DETAILS FOR LIMITS OF PAINT.
- SEE E001 FOR EXIT SIGN MOUNTING HEIGHTS.
- ACT GRID TO BE LAID OUT FROM CENTER POINT OF ROOM IN BOTH DIRECTIONS.

**KEY NOTES:**

- PRE FAB CLG - PRE FABRICATED COOLER CEILING
- CENTER FLORAL TRELLIS OVER STEPPED DISPLAY. INSTALL 7'-6" TO BOTTOM OF TRELLIS
- NEW HANGING GRID BY HANNAFORD
- NEW GRID AND NEW ACT
- EXPOSED TO STRUCTURE
- ADJUST / MODIFY EXISTING GRID TO NEW SOFFIT. INFILL W/ MATCHING TILE
- MECHANICAL HOOD
- REMOVE HANGING DECOR / MILLWORK
- EXISTING SOFFITS. REPAIR AS NEEDED AND PAINT
- INFILL WITH NEW UNISTRUT TO MATCH EXISTING. PAINT TO MATCH
- EXISTING GRID AND CEILING TO REMAIN
- REMOVE EXISTING TRELLIS

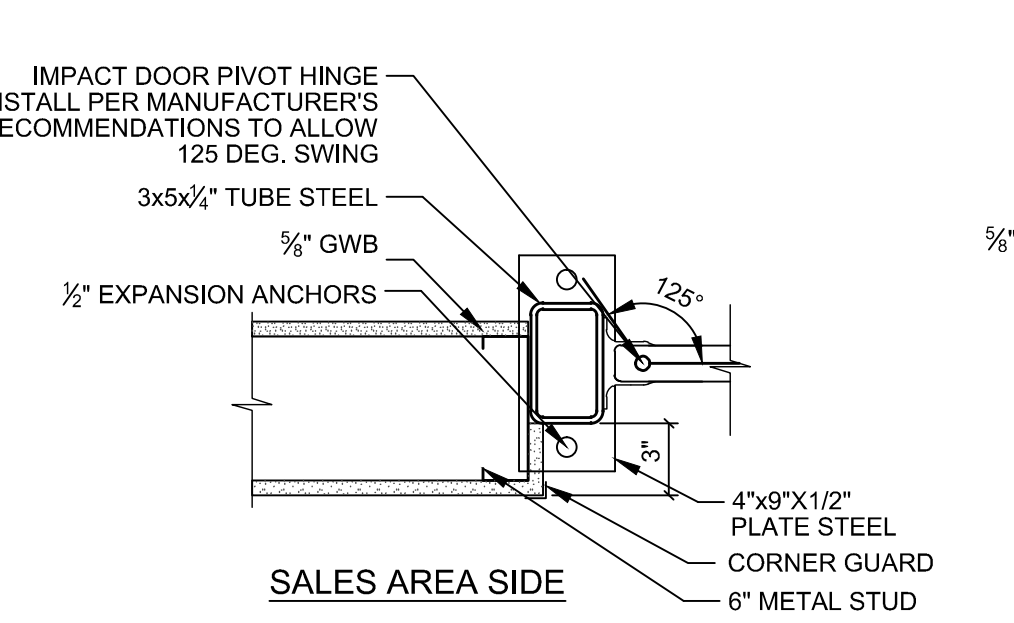
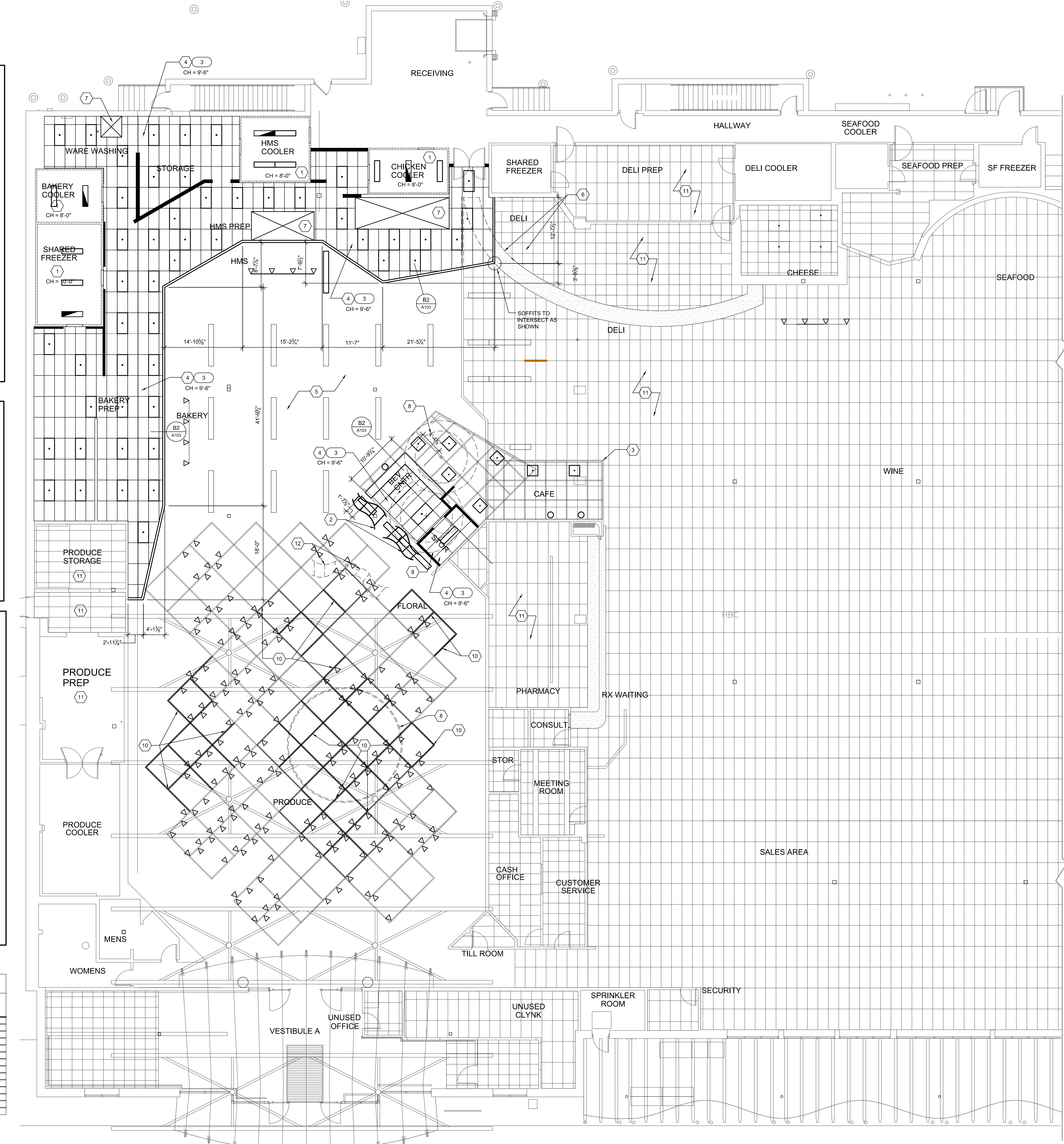
**LEGEND**

- [Symbol] LIGHT FIXTURE
- [Symbol] LIGHT FIXTURE WIRED FOR NORMAL OPERATION AND EMERGENCY OPERATION
- [Symbol] EXIT SIGN LIGHT
- [Symbol] WALL MOUNTED LIGHTING FIXTURE - SEE LIGHTING FIXTURE SCHEDULE
- [Symbol] DOCK LIGHT
- [Symbol] SUPPLY AIR DIFFUSER
- [Symbol] RETURN AIR REGISTER/ GRILLE
- [Symbol] DIFFUSER LOUVER
- [Symbol] 2 X 4 CEILING TILE
- [Symbol] FLUORESCENT LIGHT
- [Symbol] RECESSED CAN LIGHT
- [Symbol] HVAC SUPPLY
- [Symbol] EXTERIOR WALL PACK LIGHTING
- [Symbol] TRACK LIGHT HEAD
- [Symbol] CONCEALED FLUORESCENT LIGHT

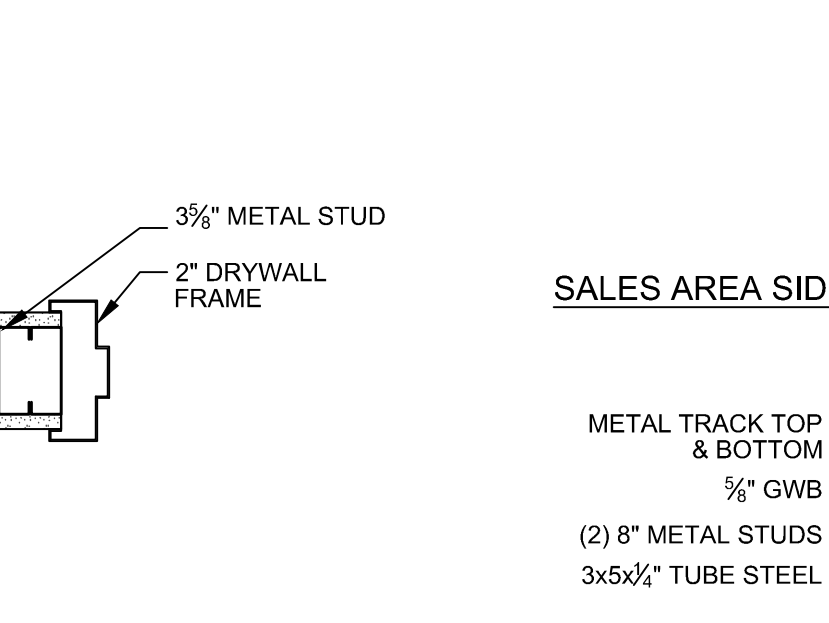
**CEILING FINISH SCHEDULE**

#	TAG	COLOR	REMARKS
1	CF1	CREAM	ACT 2 X 4
2	CF2	WHITE	ACT 2 X 4
3	CF4	WHITE	FINE FISURED CERAMAGUARD 2 X 4
4	CF5	WHITE	METAL FROND FRAMES 2 X 4
5	CF7	P27	GWB EXPOSED STRUCTURE
6	CF6	BROWN WHITE	EXTERIOR REAR CANOPY (SEE A201)
7	CF8	BROWN WHITE	EXTERIOR REAR CANOPY (SEE A201)
8	FB7	SW6374 TORCHLIGHT	DELI BAND - UNDERSIDE
9	FB8	SW6374 TORCHLIGHT	PHARMACY SOFFIT - UNDERSIDE
10	-	EXISTING	EXISTING TO REMAIN
11	-	EXISTING	EXISTING COOLER CEILING TO REMAIN

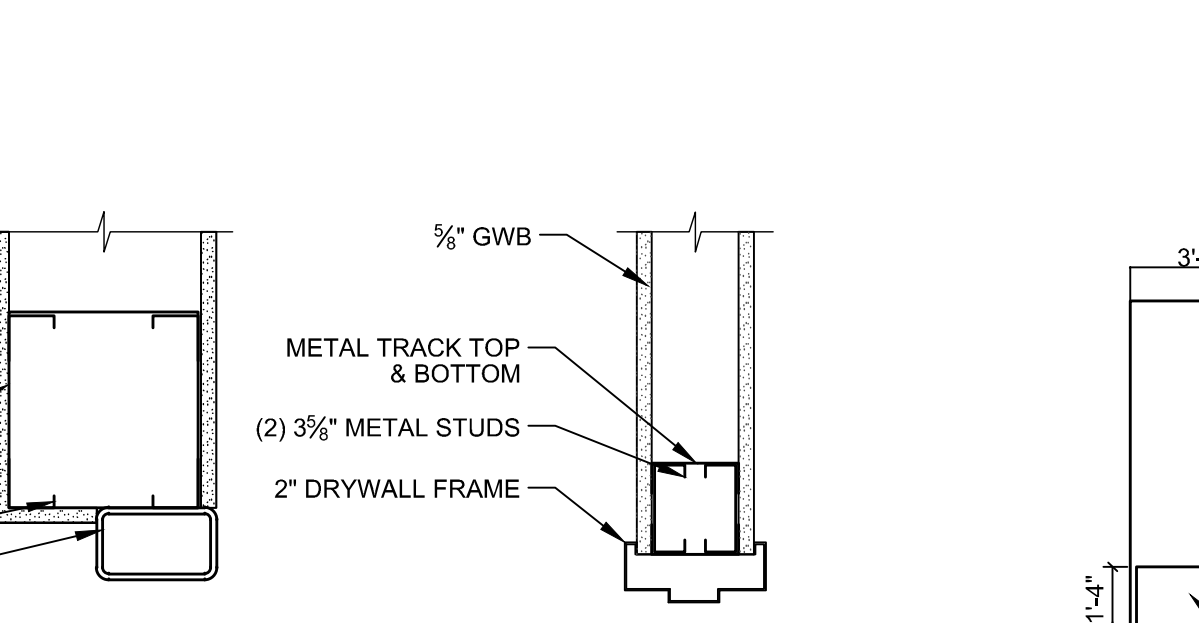
NOTE: SEE SPECIFICATION FOR ADDITIONAL INFORMATION



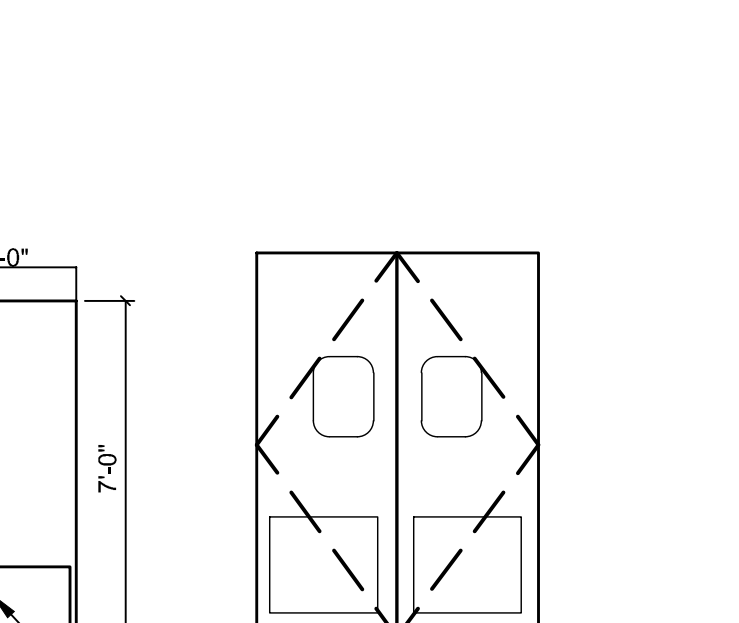
1 DOOR JAMB DETAILS  
SCALE: 1/2" = 1'-0"



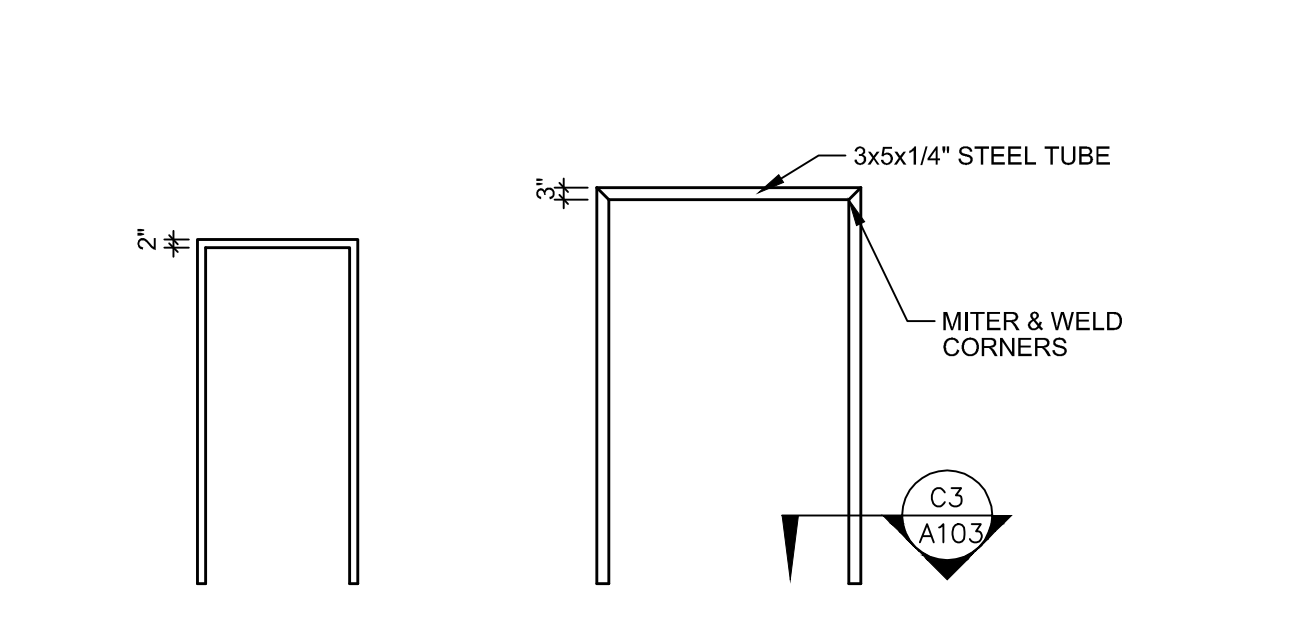
2 DOOR JAMB DETAILS  
SCALE: 1/2" = 1'-0"



A DOOR HEAD DETAILS  
SCALE: 1/2" = 1'-0"



B DOOR TYPES  
SCALE: 1/2" = 1'-0"



C DOOR FRAME TYPES  
SCALE: 1/2" = 1'-0"

**DOOR SCHEDULE**

DR NO	ROOM NAME	DOOR		FRAME			FIRE RATING (HR)	HDMR SET NO	REMARKS	DOOR NO
		SIZE	MAT TYPE	HEAD	JAMB	SILL				
1	BEV CNTR STORAGE	3'-0" X 7'-0" X 1 3/4"	WD	1	B	2	HM	A	12	1
2	SALES RECEIVING	3'-0" X 6'-0" (PART)	-	2	A	1	D	STL	B	2
3	CHICKEN COOLER	3'-0" X 7'-0"	-	-	-	-	-	-	-	3
4	CHICKEN COOLER	3'-0" X 7'-0"	-	-	-	-	-	-	-	4
5	HMS COOLER	3'-0" X 7'-0"	-	-	-	-	-	-	-	5
6	HMS COOLER	3'-0" X 7'-0"	-	-	-	-	-	-	-	6
7	BAKERY COOLER	3'-0" X 7'-0"	-	-	-	-	-	-	-	7
8	SHARED FREEZER	3'-0" X 7'-0"	-	-	-	-	-	-	-	8
9	SHARED FREEZER	3'-0" X 7'-0"	-	-	-	-	-	-	-	9

**DOOR GENERAL NOTES:**

- SEE SPECIFICATIONS FOR HDMR SET # AND ADDITIONAL INFORMATION
- DOOR CLOSURES SHALL NOT BE IN VIEW FROM THE SALES AREA EXCEPT AT EMERGENCY DOORS

DATE	BY	REVISIONS
06.19.15	JET	ISSUE FOR CONSTRUCTION

DATE	BY	REVISIONS
06.19.15	JET	ISSUE FOR CONSTRUCTION

Sheet Title  
**REFLECTED CEILING PLAN, DOOR SCHEDULE, & DETAILS**  
Scale: 1/8" = 1'-0"  
Date: 06.19.15  
Design: JET  
Drawn: EED  
© 2015 Delitza America Shared Services LLC

HANNAFORD STORE #631 295 FOREST AVE.  
PORTLAND, ME  
LIMITED USE NOTE