

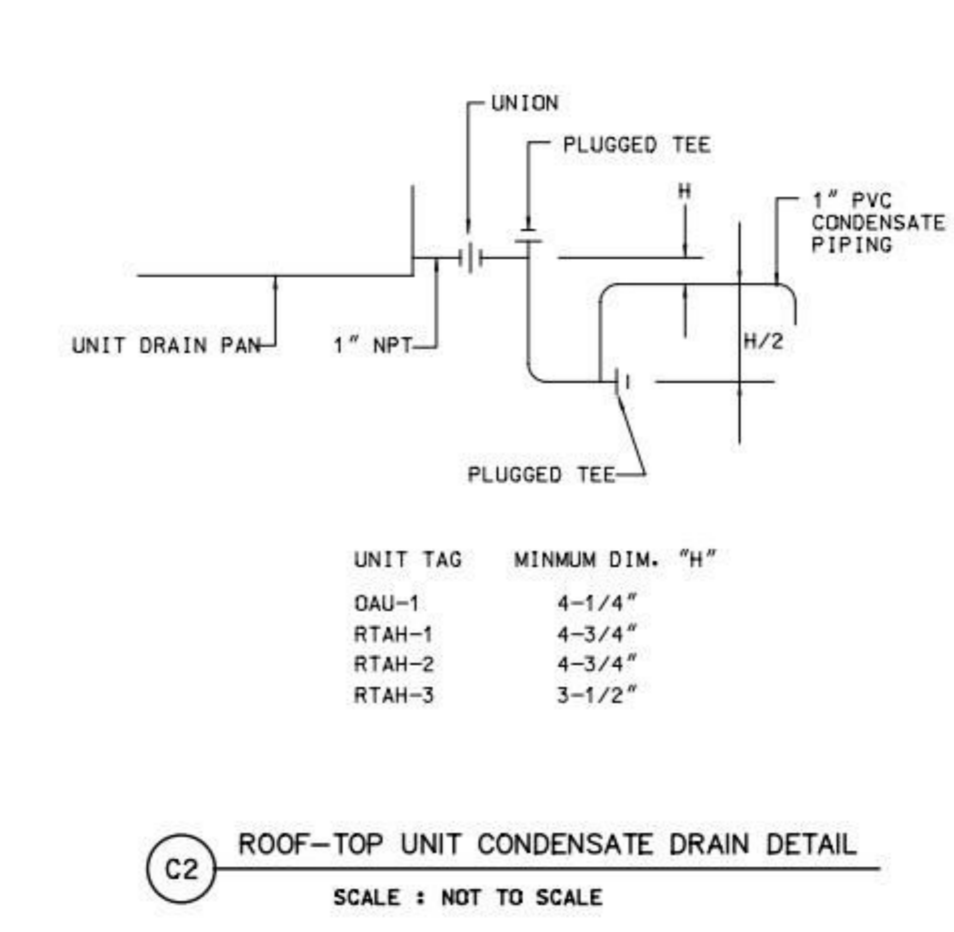
A

B

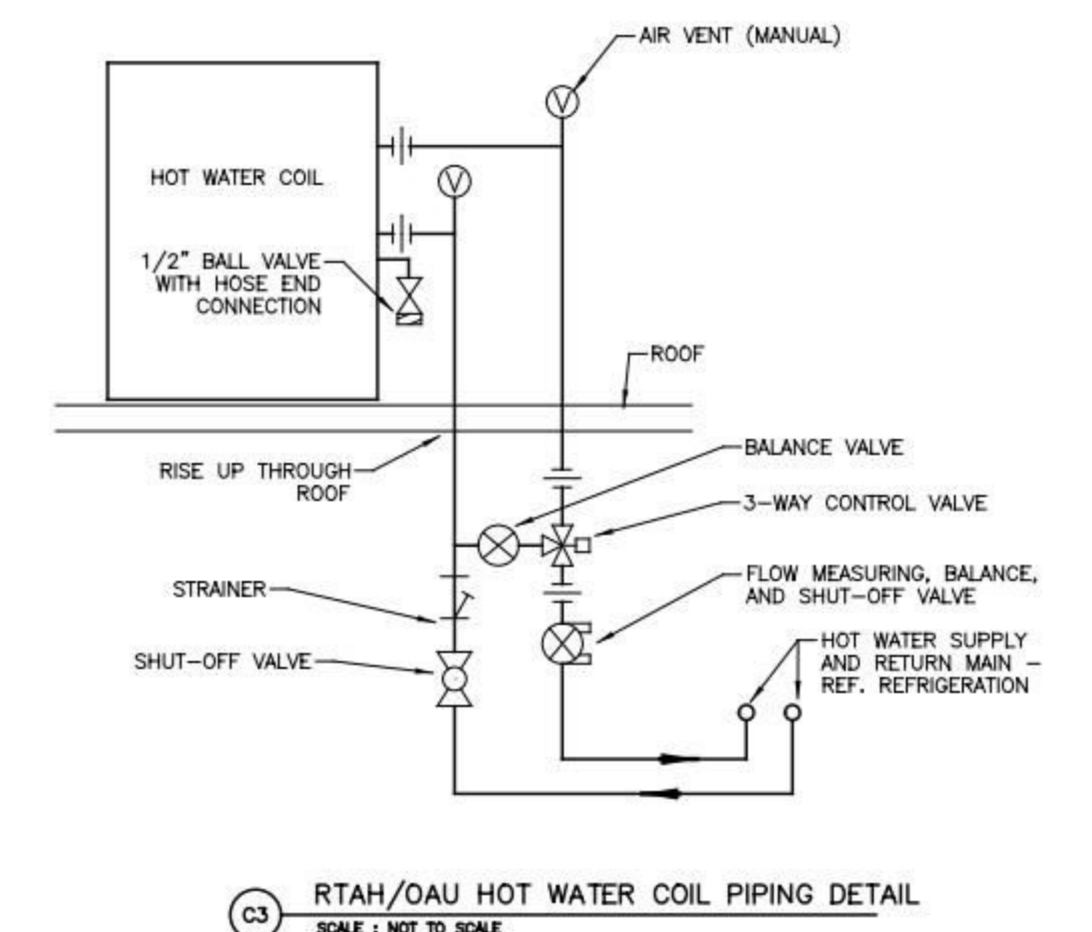
C

D

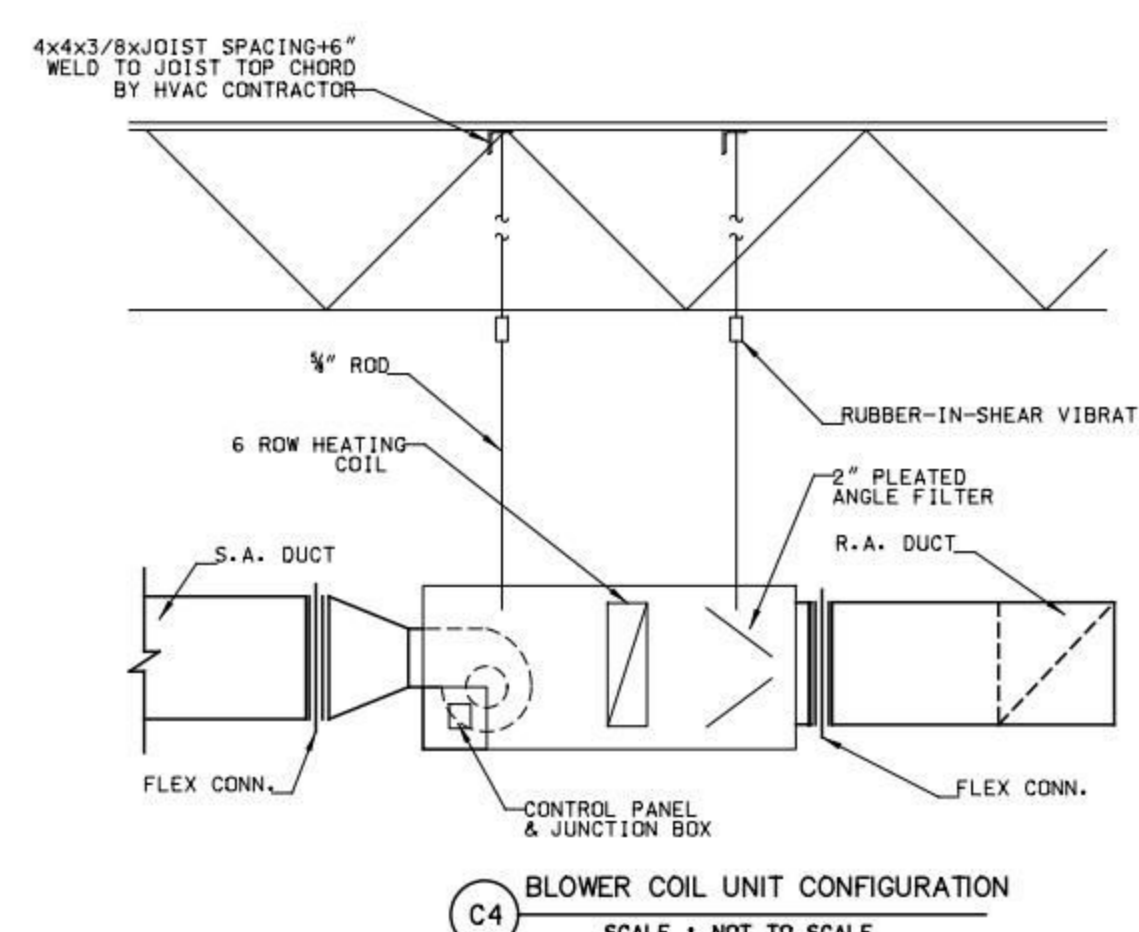
E



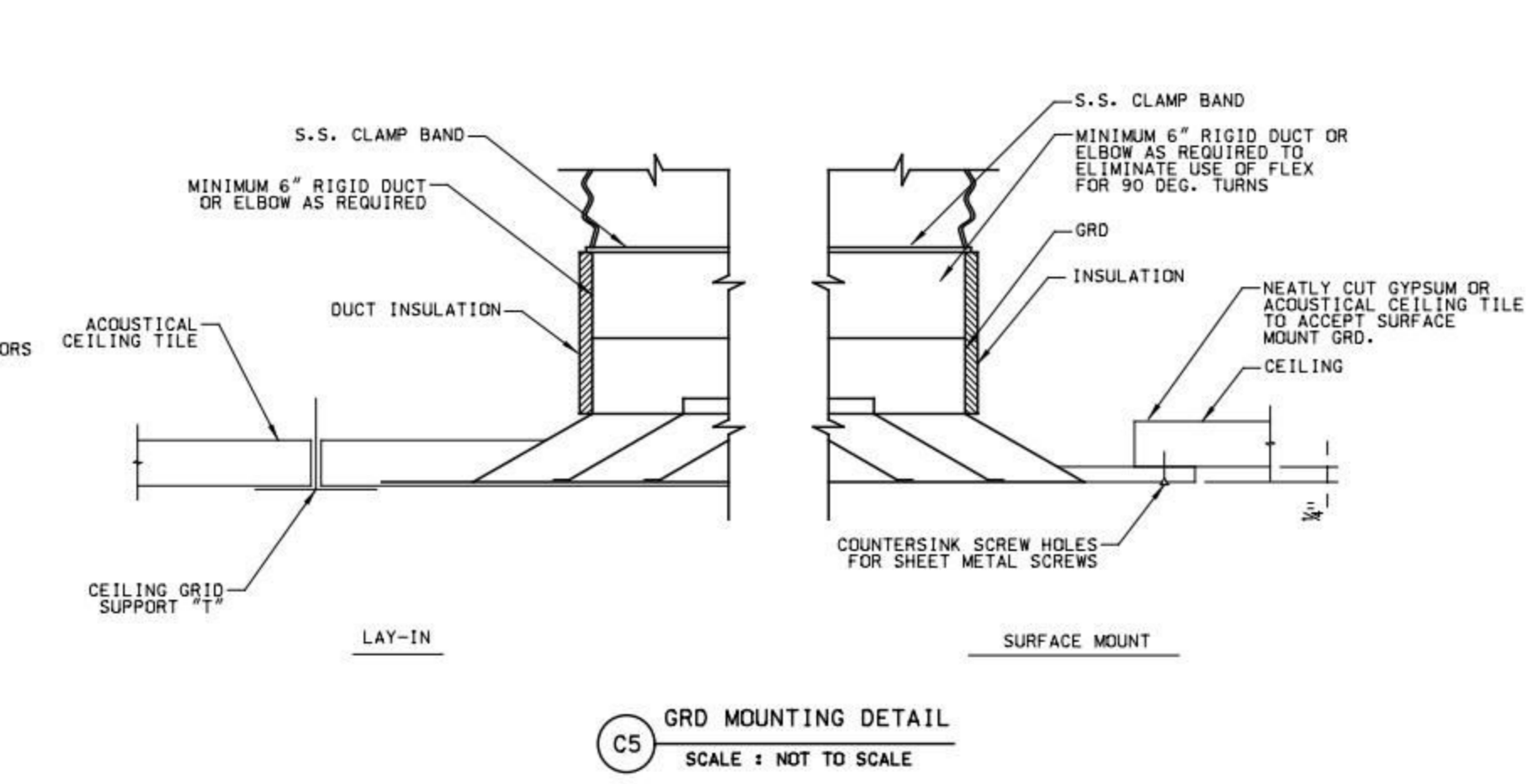
C2 ROOF-TOP UNIT CONDENSATE DRAIN DETAIL
SCALE: NOT TO SCALE



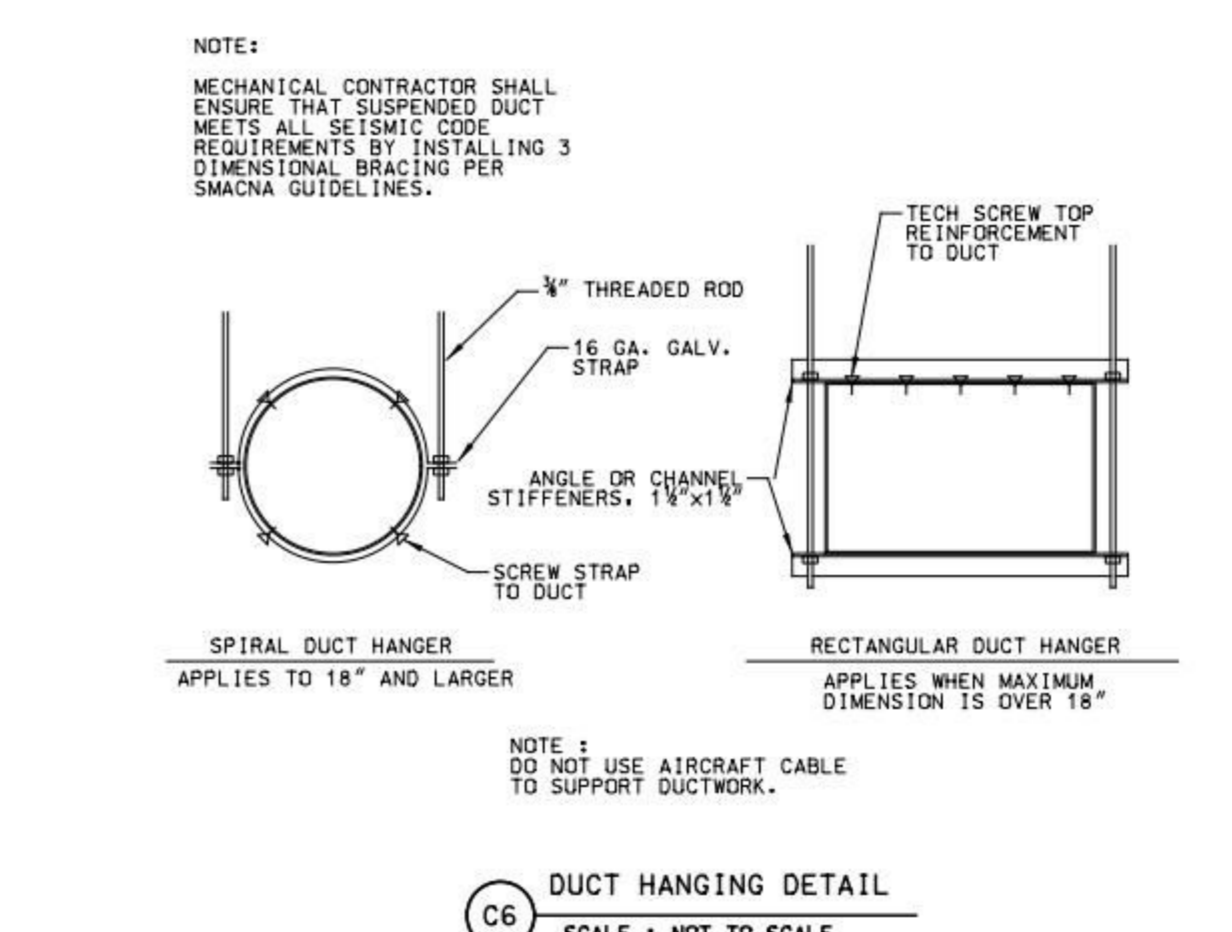
C3 RTAH/DAU HOT WATER COIL PIPING DETAIL
SCALE: NOT TO SCALE



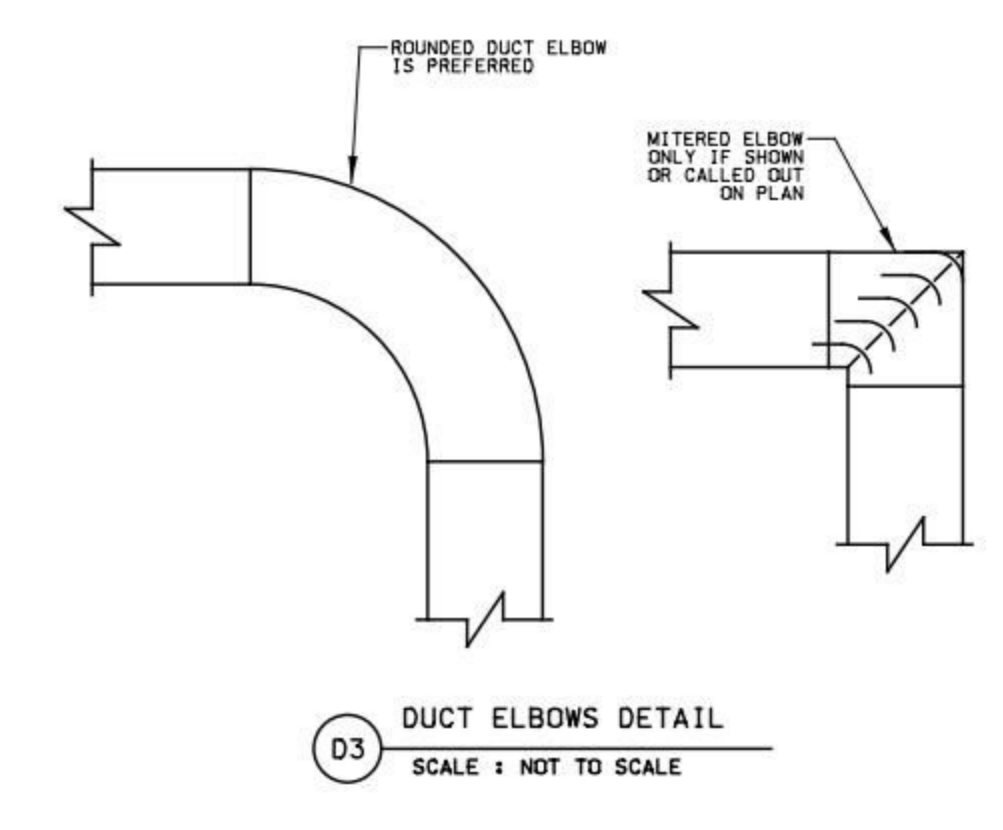
C4 BLOWER COIL UNIT CONFIGURATION
SCALE: NOT TO SCALE



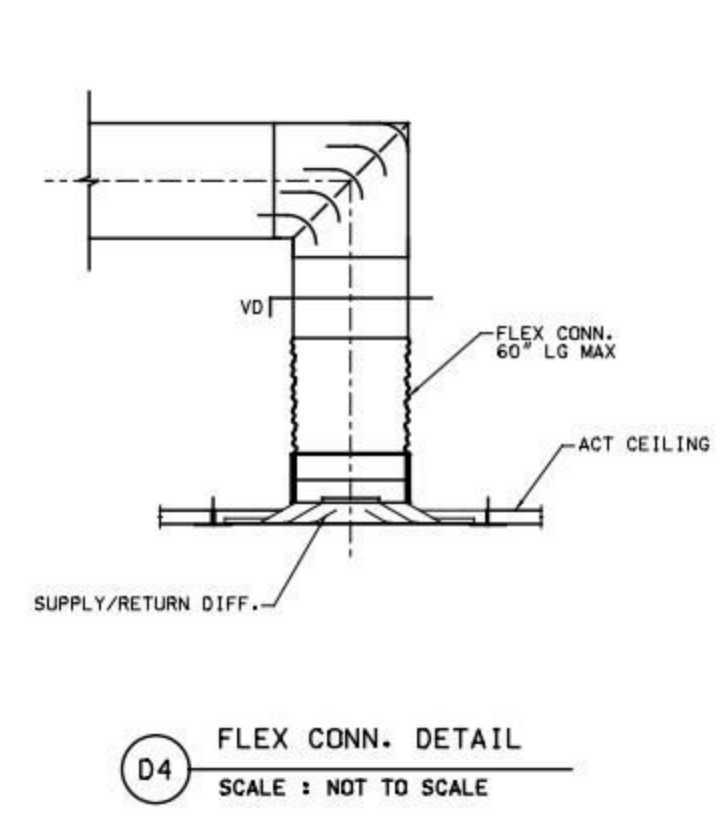
C5 GRD MOUNTING DETAIL
SCALE: NOT TO SCALE



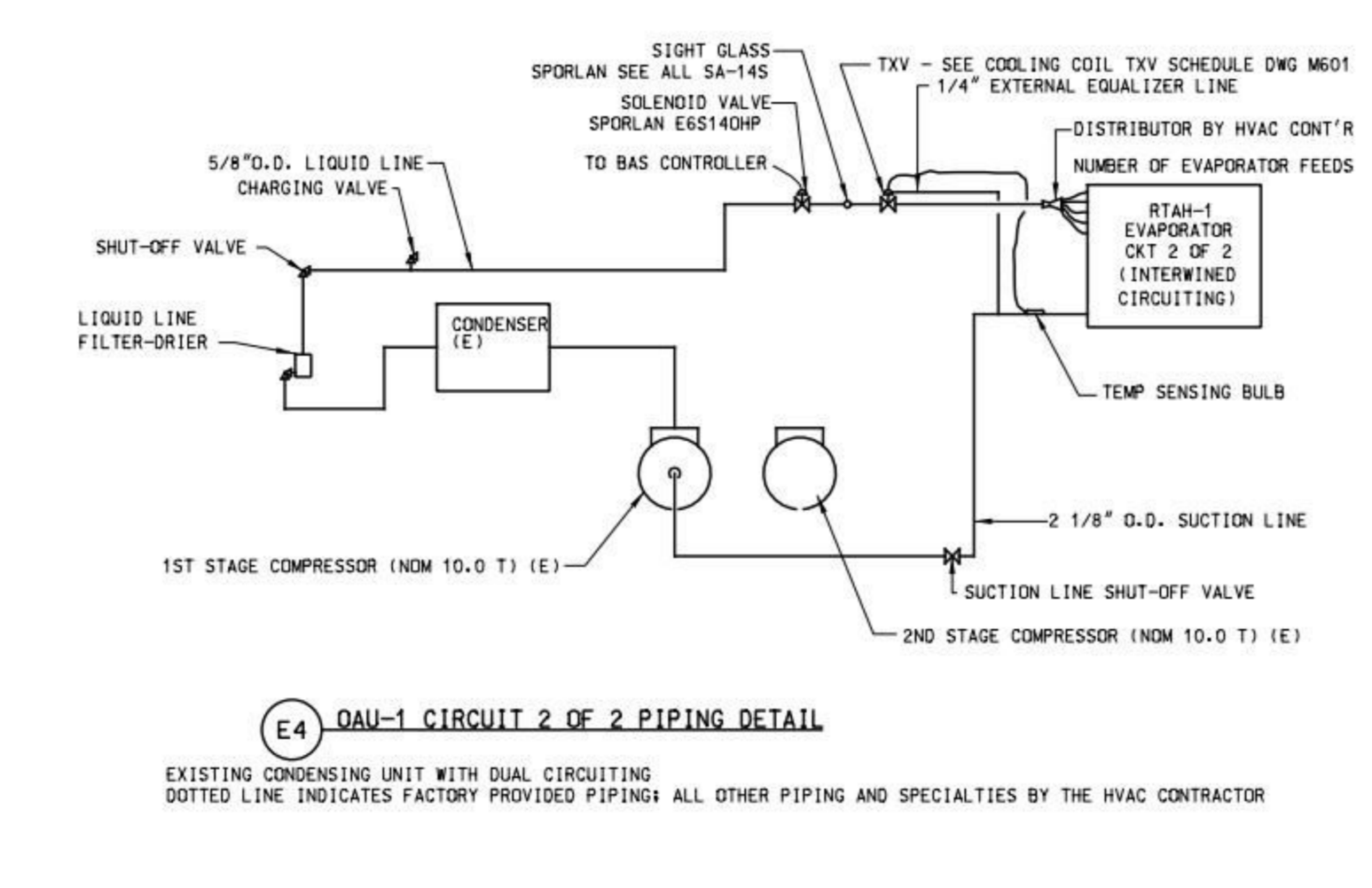
C6 DUCT HANGING DETAIL
SCALE: NOT TO SCALE



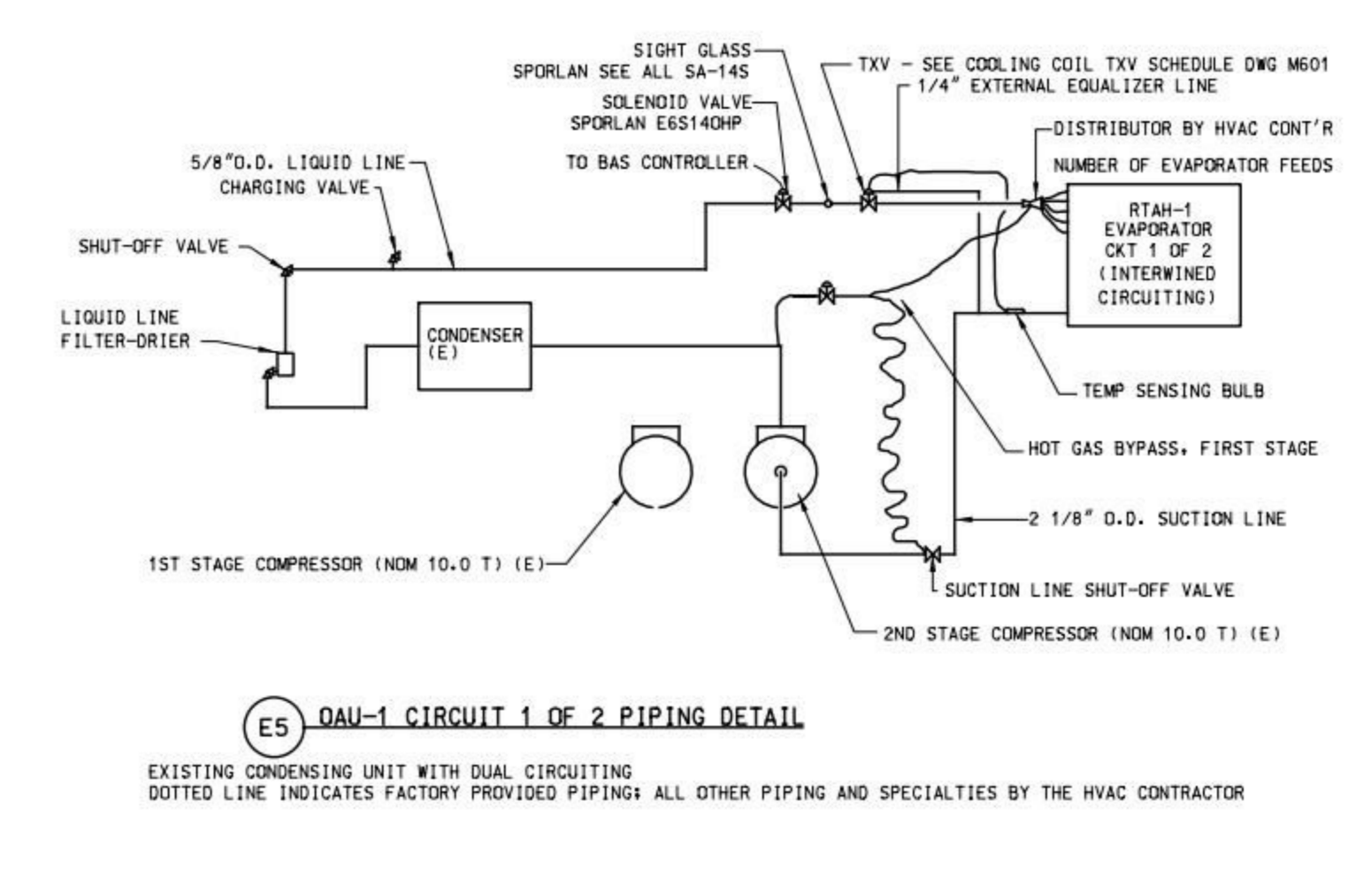
D3 DUCT ELBOWS DETAIL
SCALE: NOT TO SCALE



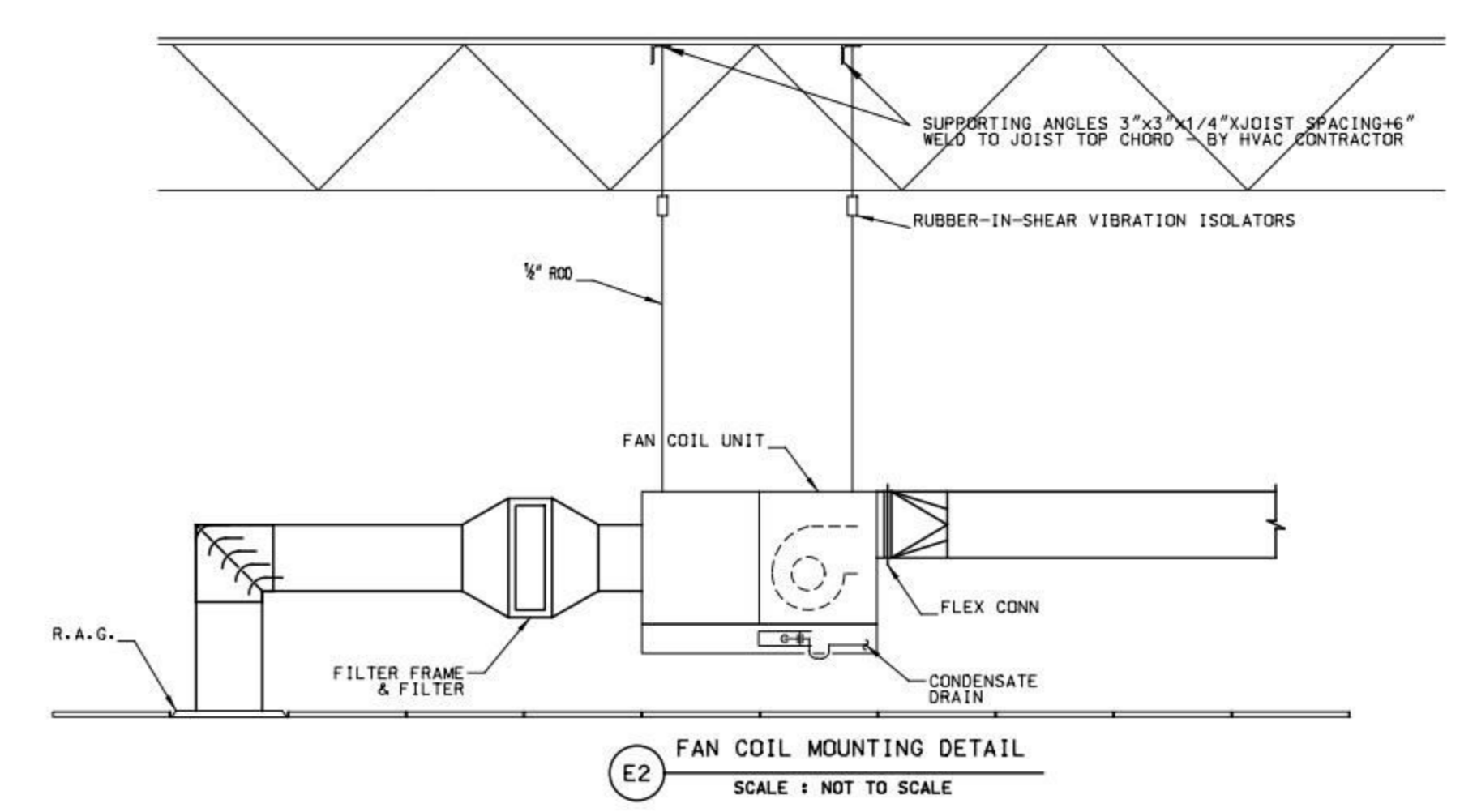
D4 FLEX CONN. DETAIL
SCALE: NOT TO SCALE



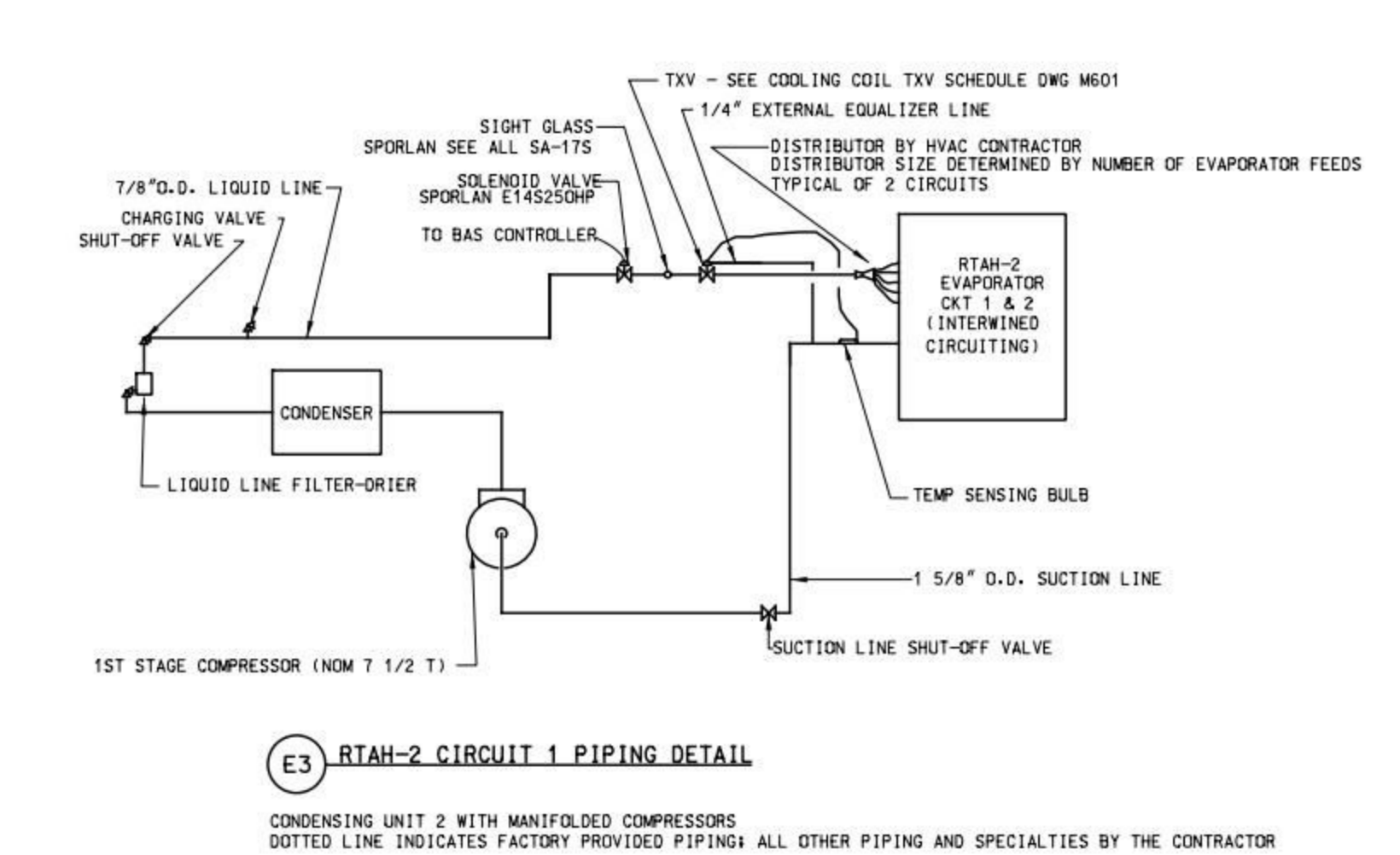
E4 DAU-1 CIRCUIT 2 OF 2 PIPING DETAIL
EXISTING CONDENSING UNIT WITH DUAL CIRCUITING
DOTTED LINE INDICATES FACTORY PROVIDED PIPING ALL OTHER PIPING AND SPECIALTIES BY THE HVAC CONTRACTOR



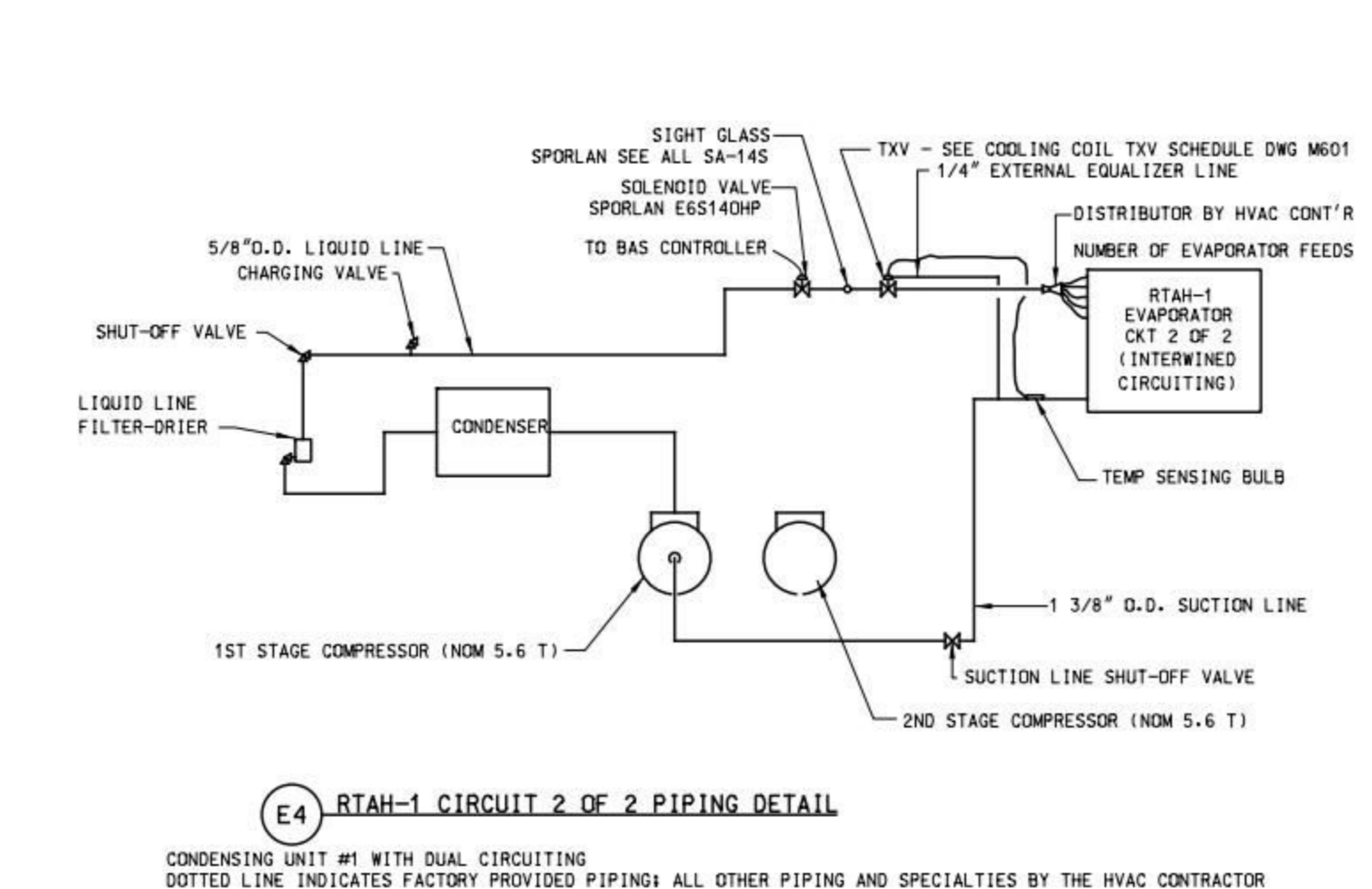
E5 DAU-1 CIRCUIT 1 OF 2 PIPING DETAIL
EXISTING CONDENSING UNIT WITH DUAL CIRCUITING
DOTTED LINE INDICATES FACTORY PROVIDED PIPING ALL OTHER PIPING AND SPECIALTIES BY THE HVAC CONTRACTOR



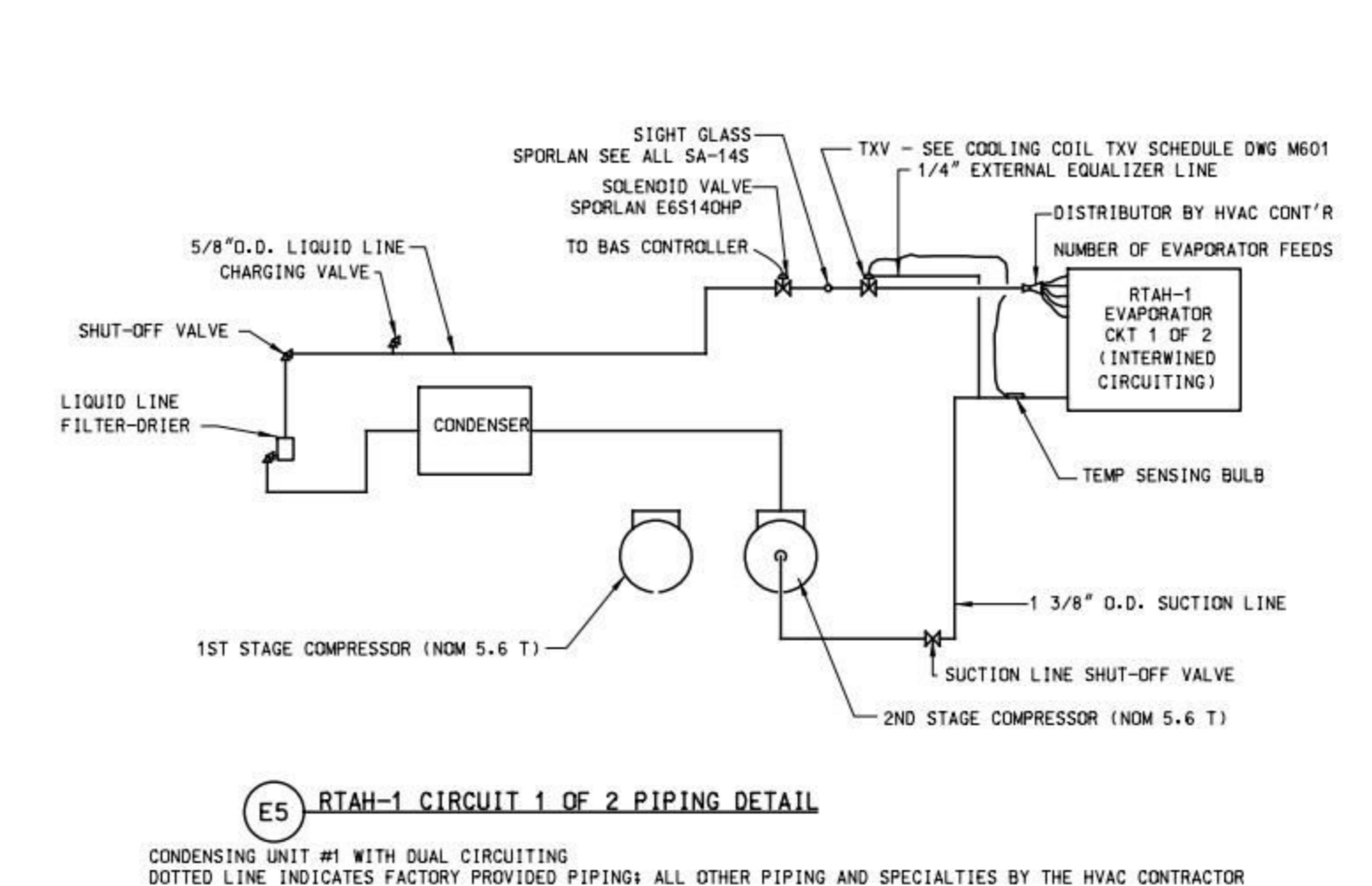
E2 FAN COIL MOUNTING DETAIL
SCALE: NOT TO SCALE



E3 RTAH-2 CIRCUIT 1 PIPING DETAIL
CONDENSING UNIT #1 WITH DUAL CIRCUITING
DOTTED LINE INDICATES FACTORY PROVIDED PIPING ALL OTHER PIPING AND SPECIALTIES BY THE CONTRACTOR



E4 RTAH-1 CIRCUIT 2 OF 2 PIPING DETAIL
CONDENSING UNIT #1 WITH DUAL CIRCUITING
DOTTED LINE INDICATES FACTORY PROVIDED PIPING ALL OTHER PIPING AND SPECIALTIES BY THE HVAC CONTRACTOR



E5 RTAH-1 CIRCUIT 1 OF 2 PIPING DETAIL
CONDENSING UNIT #1 WITH DUAL CIRCUITING
DOTTED LINE INDICATES FACTORY PROVIDED PIPING ALL OTHER PIPING AND SPECIALTIES BY THE HVAC CONTRACTOR

NOTE:
MECHANICAL CONTRACTOR SHALL ENSURE THAT SUSPENDED DUCT MEETS ALL SETBACK CODE REQUIREMENTS BY INSTALLING 3 DIMENSIONAL BRACING PER SMACNA GUIDELINES.

NOTE:
DO NOT USE AIRPRAFT CABLE TO SUPPORT DUCTWORK.

No.	Date	Revision
2	11/19/11	ISSUED FOR CONSTRUCTION
1	10/21/11	ISSUED FOR HANNAFORD DOOR REVIEW
0	09/26/11	ISSUED FOR HANNAFORD DOOR REVIEW

REMODEL HANNAFORD
SUPERMARKET & PHARMACY
STORE #8351 - 295 FOREST AVENUE
PORTLAND, MAINE 04101

Hannaford Bros. Co.

JACOBS
JACOBS ENGINEERING GROUP, INC.
5700 Major Avenue, Suite 400
Portland, ME 04103
Phone: 407-950-2001 Fax: 407-950-1199

MECHANICAL ENGINEER OF RECORD
NAME: KEVIN EUGA, P.E.
MAINE REGISTERED P.E. 12608

MECHANICAL DETAILS
Scale: NTS
Date: 10/21/11
Designed by: KEUGA
Drawn by: KEUGA
Checked by: KEUGA

Drawing No. M501
Project No. FFR0300
IBC-PORTLAND, ME