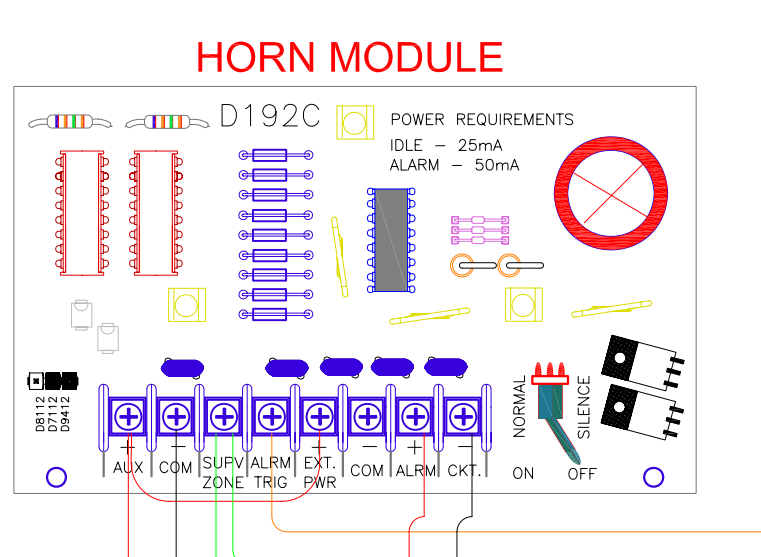


NOTE: THESE RELAYS ARE RATED FOR HIGH DC VOLTAGE ELEVATOR CONTROL CIRCUITS ARE 75 VDC

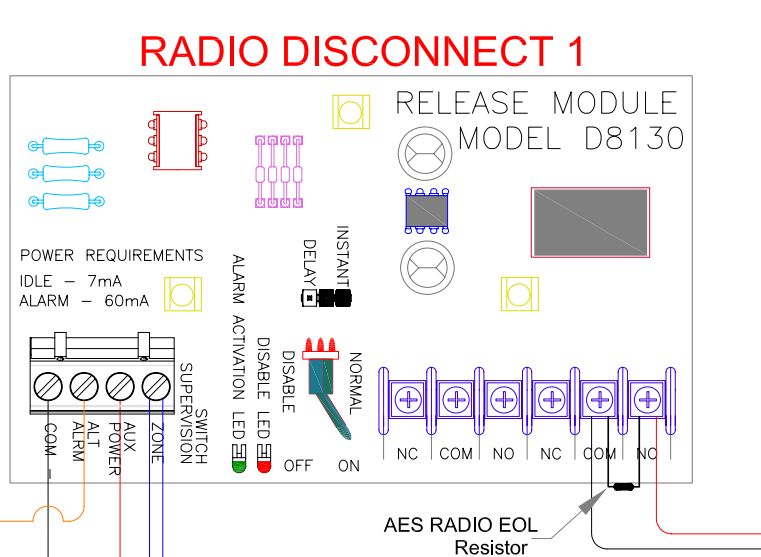
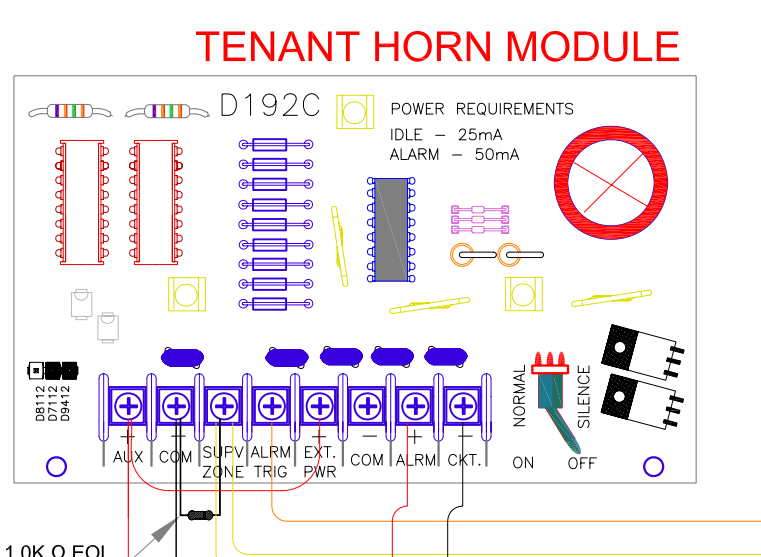
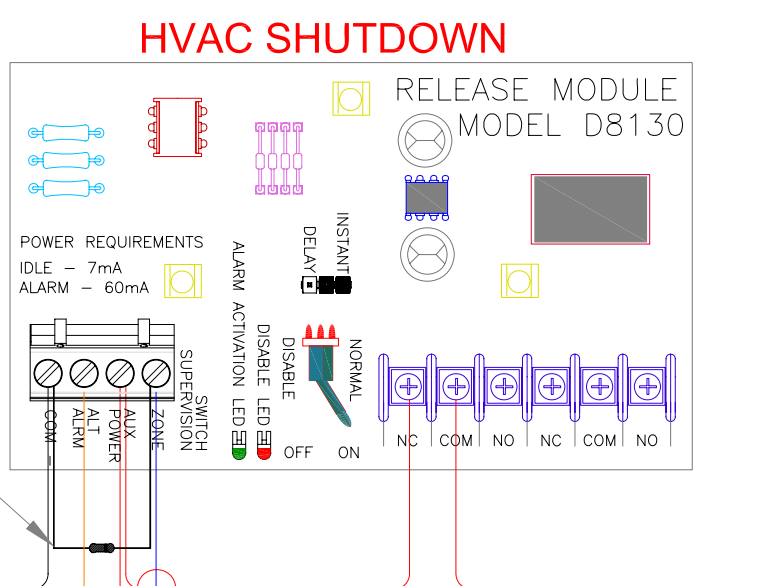
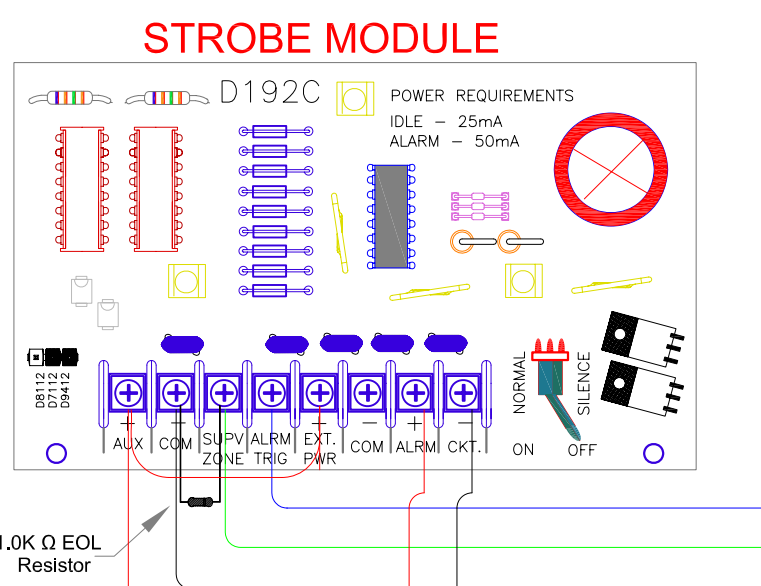


NOTE: MASTER DISCONNECT CONTROLS ALL NAC OUTPUTS AND ALARM TRIPS TO RADIO
MASTER DISCONNECT

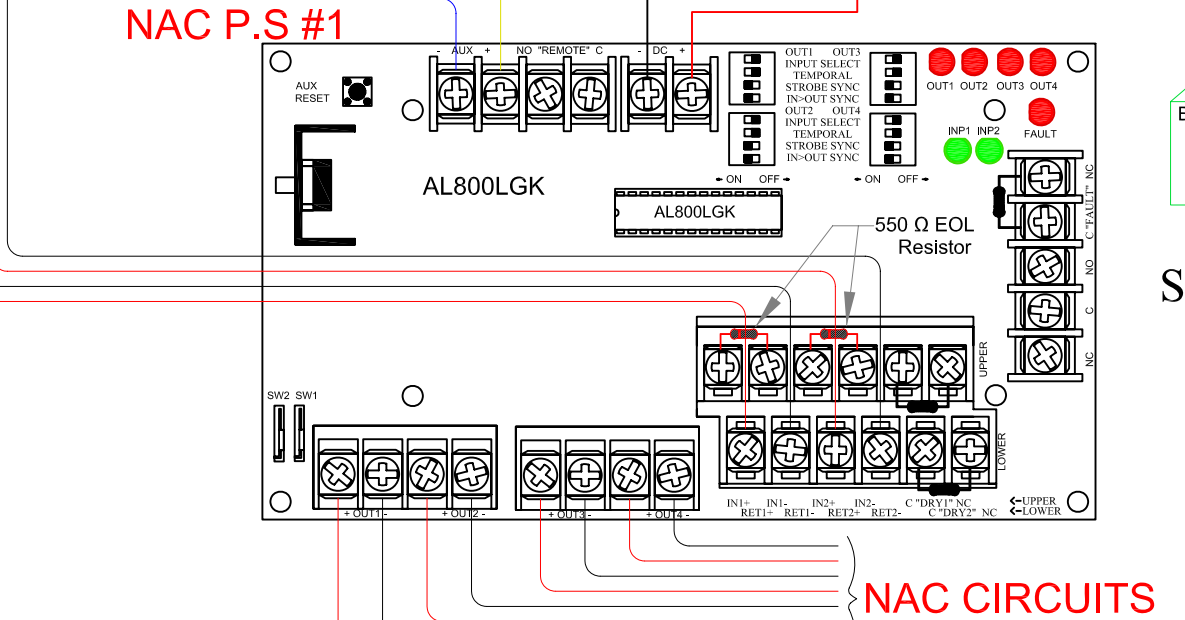
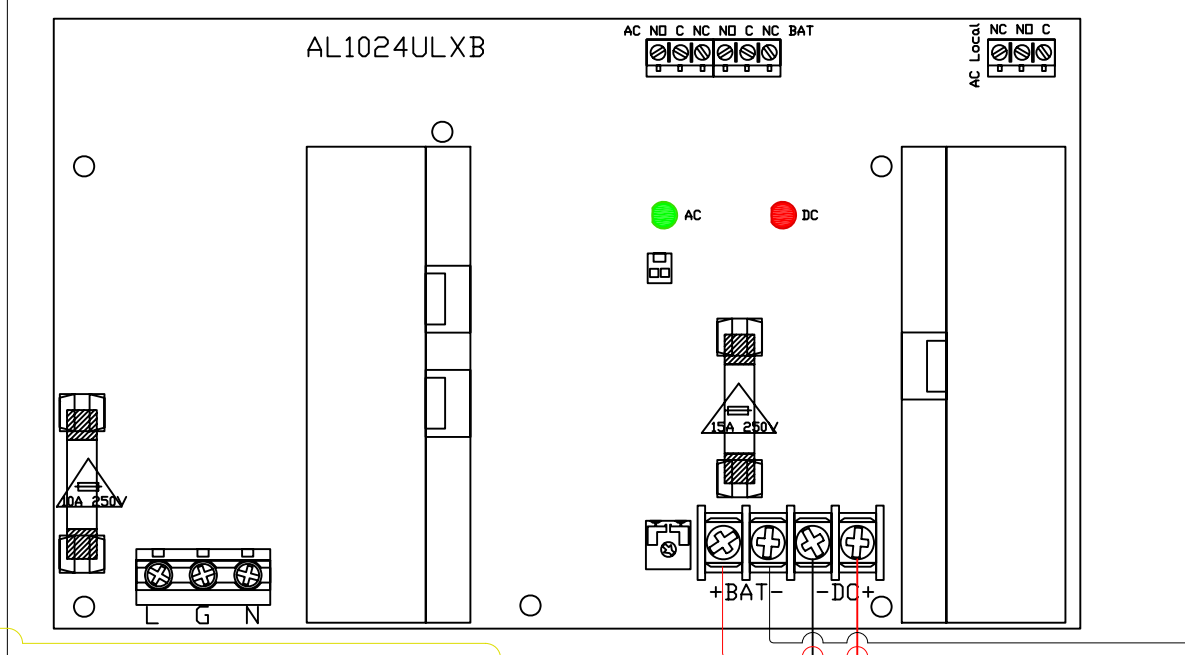
NOTE 1: SEE FS-3-N FOR NAC PS AND NAC CONFIGURATIONS

NOTE 2: BFSK RELAYS 1-3 PROGRAMMED FOR RELEVANT POINTS, RELAY 76 (4) PANEL WIDE SUMMARY FIRE SUPERVISORY

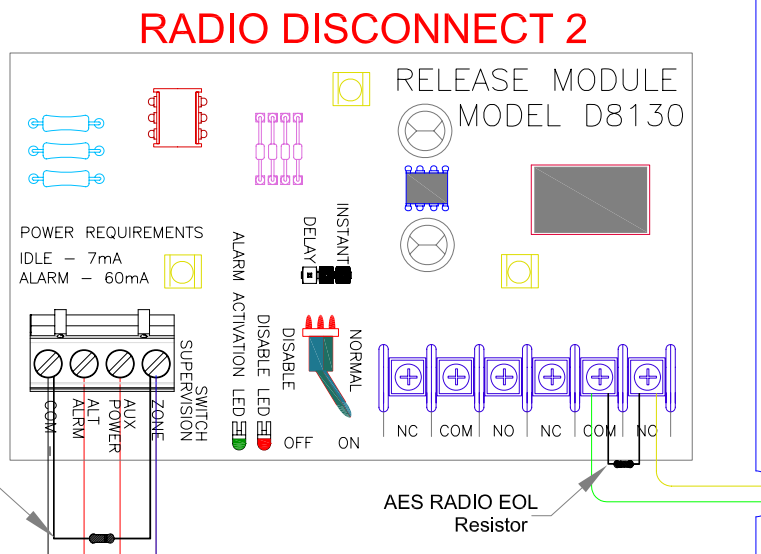
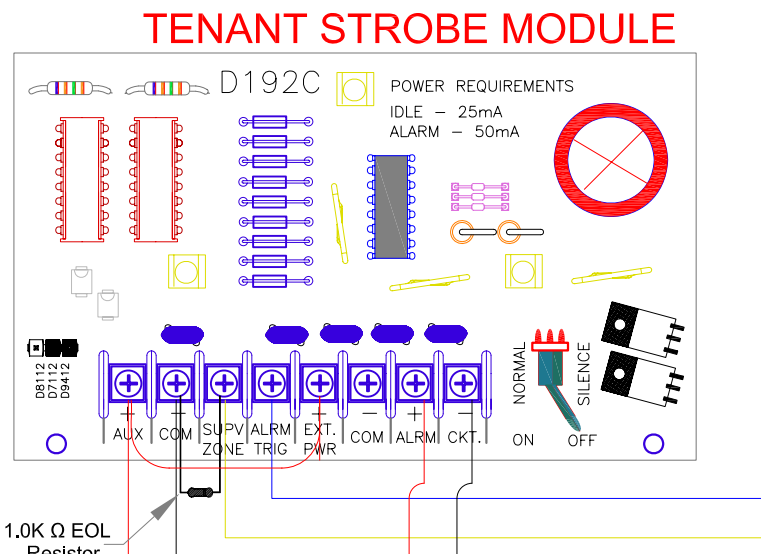
NOTE 3: POINTS 5+6 PROGRAMMED RELAY FOLLOWS POINT



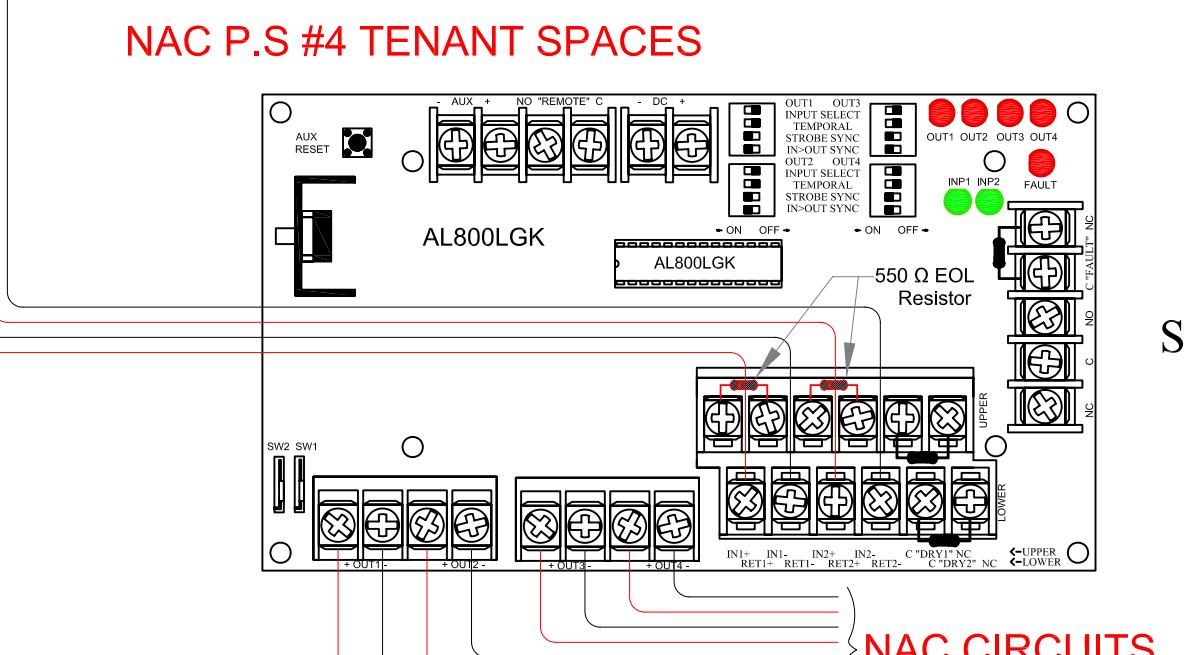
RELAY LOCATED AT HVAC CONTROL EQUIP.
TO HVAC SYSTEM FOR SHUTDOWN



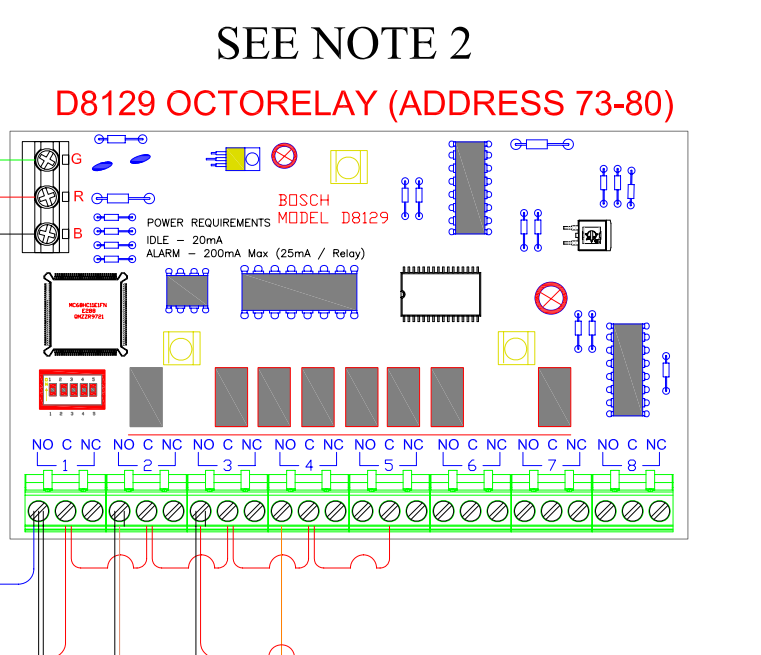
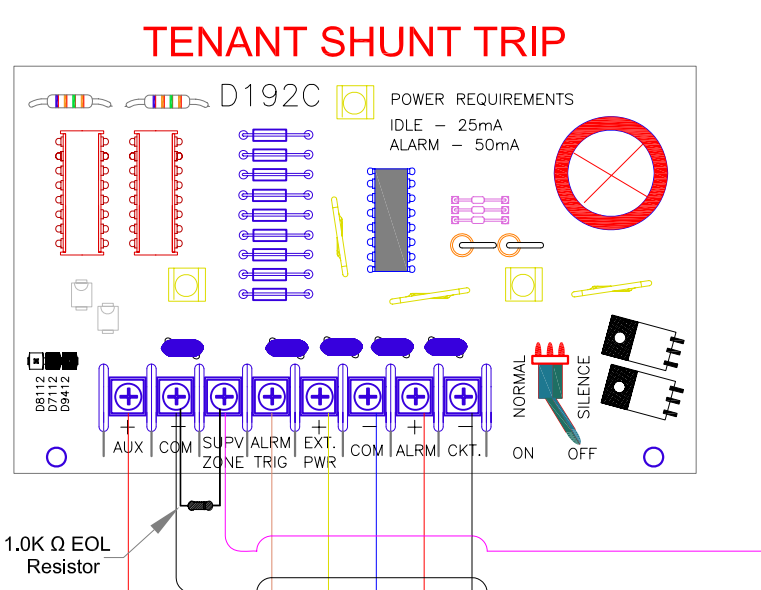
SEE NOTE 1



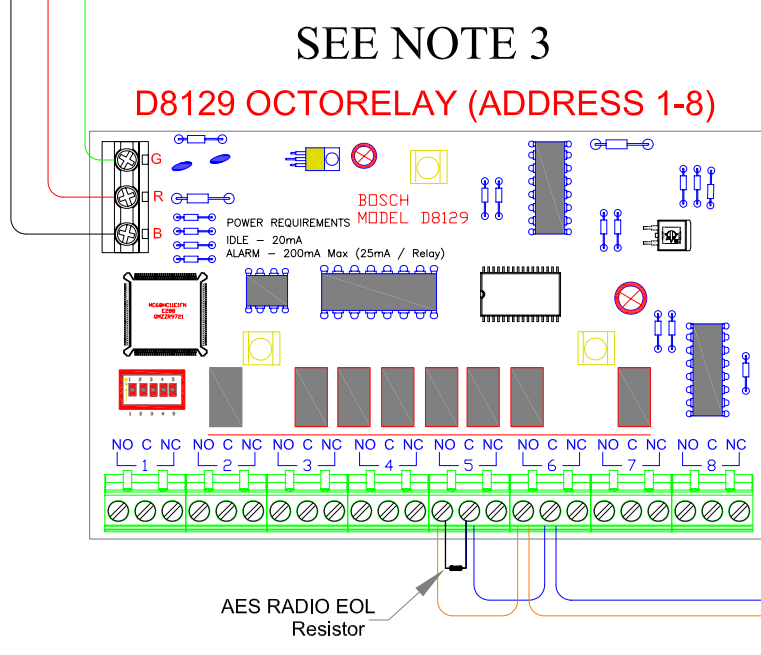
NOTE: EXISTING SETUP LOCATED IN TENANT GROUND FLOOR ELECTRIC ROOM



SEE NOTE 1

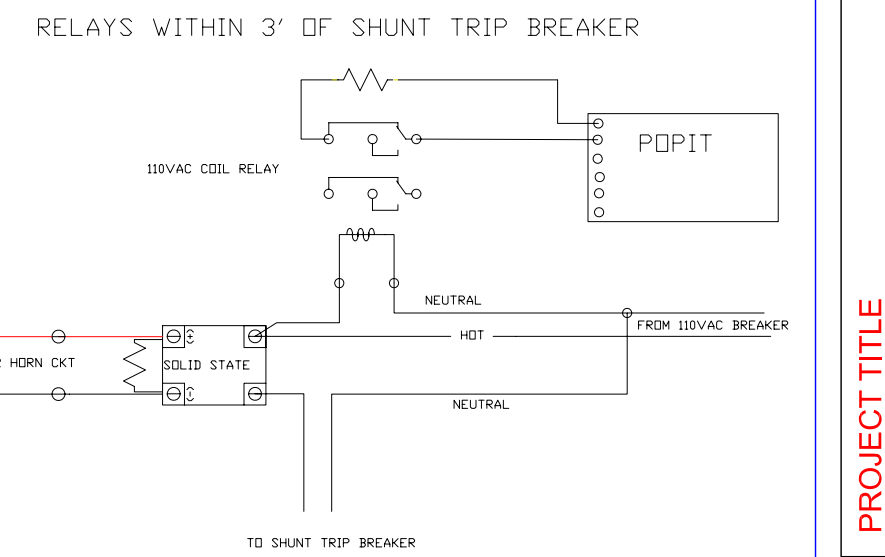


SEE NOTE 2



SEE NOTE 3

24 vdc POWER FOR SMOKE and DUCT SMOKE DETECTORS



RELAYS WITHIN 3' OF SHUNT TRIP BREAKER



Table with columns for NO. (1) and REVISIONS (1), with a note 'BASED ON CONSTRUCTION'.

PROJECT TITLE: HANNAFORD SUPERMARKET - #R351
FOREST AVE.
PORTLAND, MAINE
DRAWN: SURV-JK
DATE: 11-18-11
© 2009 HANNAFORD BROS. CO.

SHEET TITLE: FIRE ALARM RISER OUTPUTS
SHEET NUMBER: FS-5