

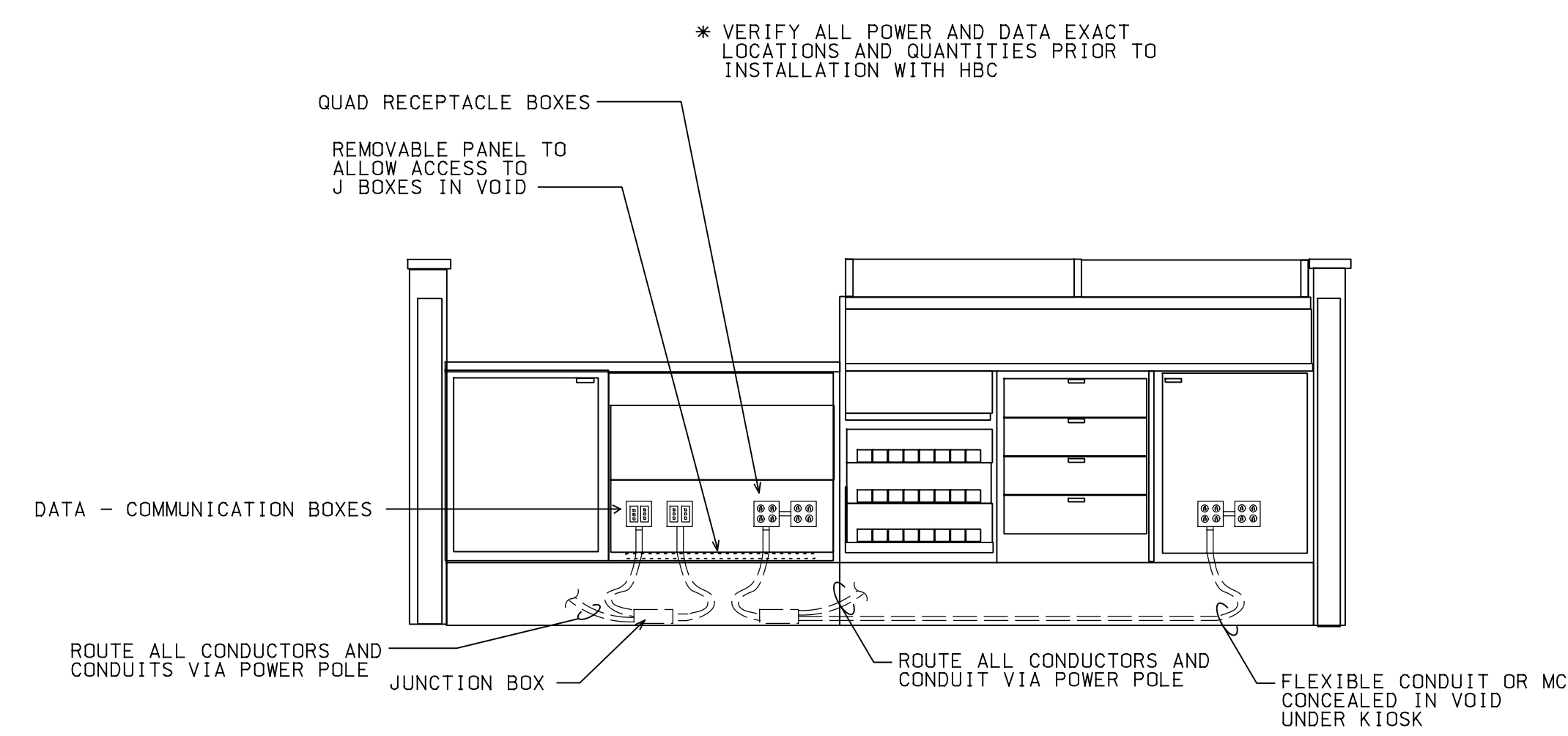
A

B

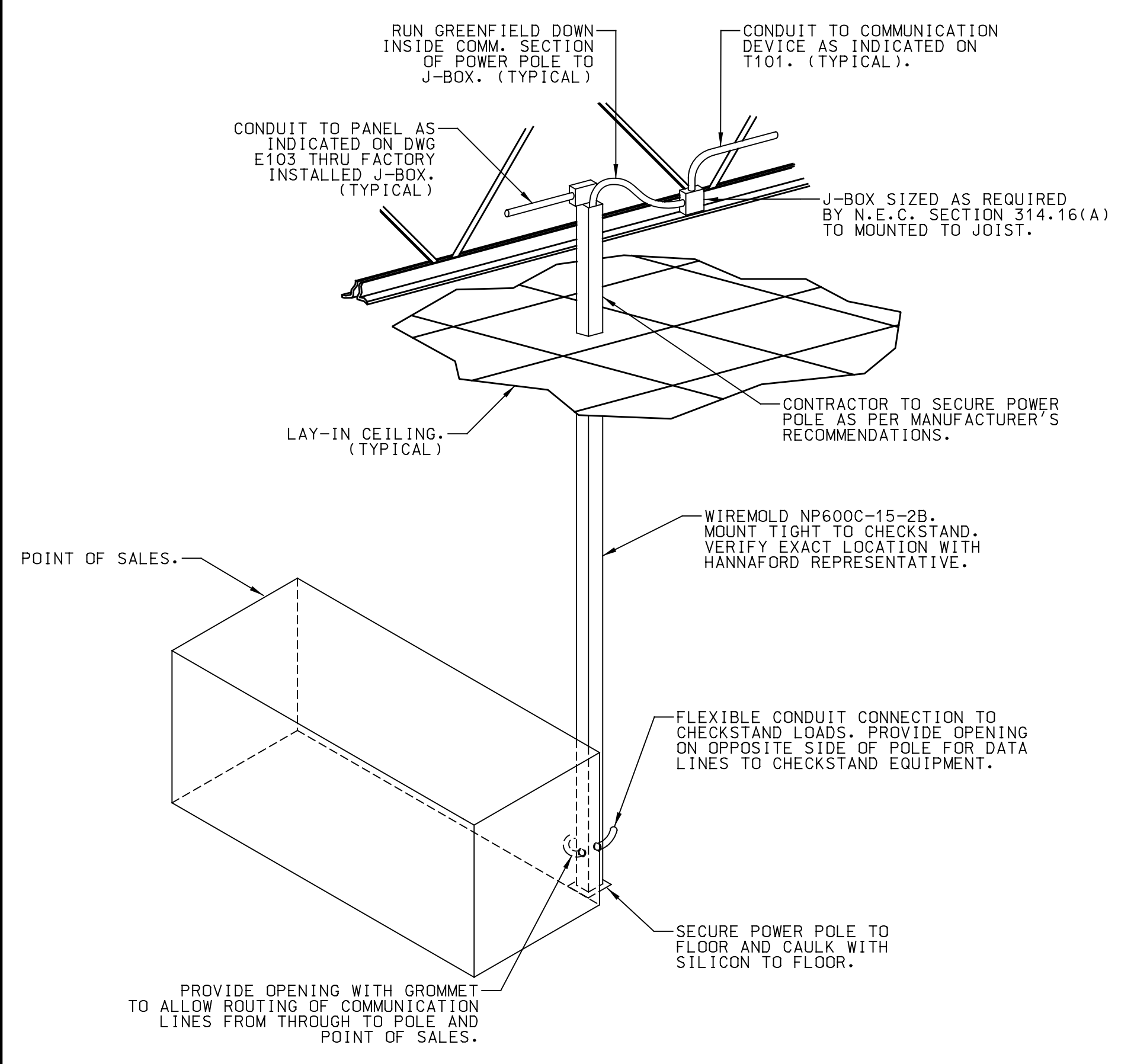
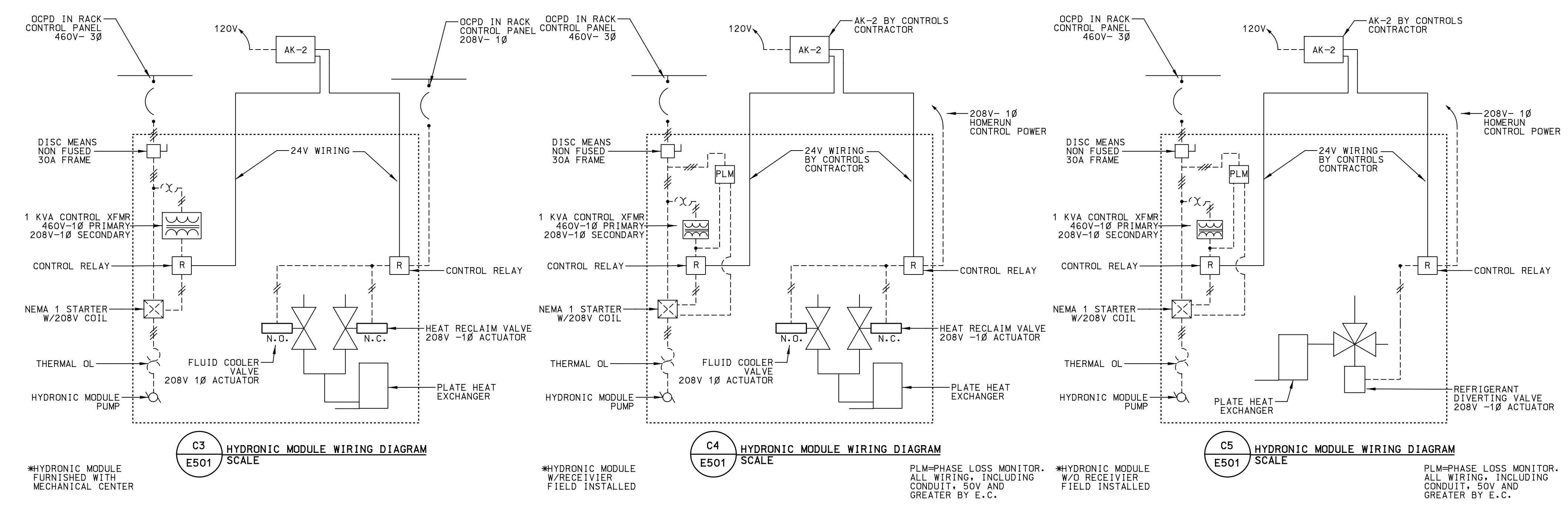
C

D

E



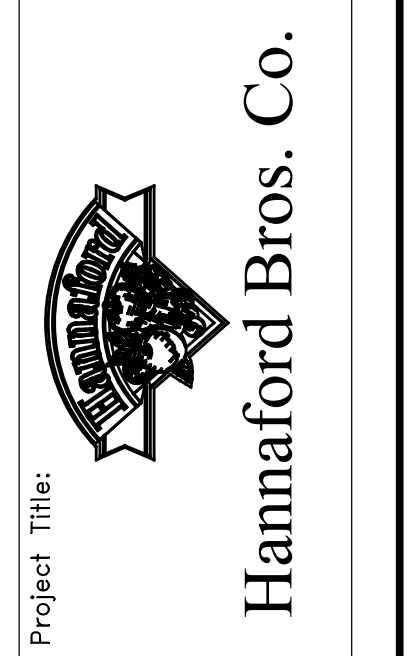
**B3**  
E501 CUSTOMER SERVICE KIOSK POWER  
NTS



**A1**  
E501 POWER POLE INSTALLATION DETAIL  
NTS

No.	Date	Revision
2	11/18/11	ISSUED FOR CONSTRUCTION
1	10/21/11	ISSUED FOR HANNAFORD 100% REVIEW
0	09/29/11	ISSUED FOR HANNAFORD 100% REVIEW

REMODEL HANNAFORD  
SUPERMARKET & PHARMACY  
STORE #8351 - 295 FOREST AVENUE  
PORTLAND, MAINE 04101



Project Title:  
Hannaford Bros. Co.  
JACOBS ENGINEERING GROUP, INC. 04-491808  
Contractors: Hannaford Bros. Co., 295 Forest Avenue, Portland, ME 04101  
5700 Major Boulevard, Suite 400  
Portland, ME 04103-5001 Fax: 407-293-5195

Prepared By:  
JACOBS

Scale:

ELECTRICAL ENGINEER OF RECORD  
NAME: JOSEPH HARRILL, P.E.  
MAINE REGISTERED PE: 17/07

**ELECTRICAL DETAILS**  
Scale: NONE  
Date: 10/21/11  
Designed by: J. HARRILL  
Drawn by: J. HARRILL  
Checked by: L. PEREZ

Drawing No.  
E501  
Project No.  
PFR0300  
HBC-PORTLAND\_ME