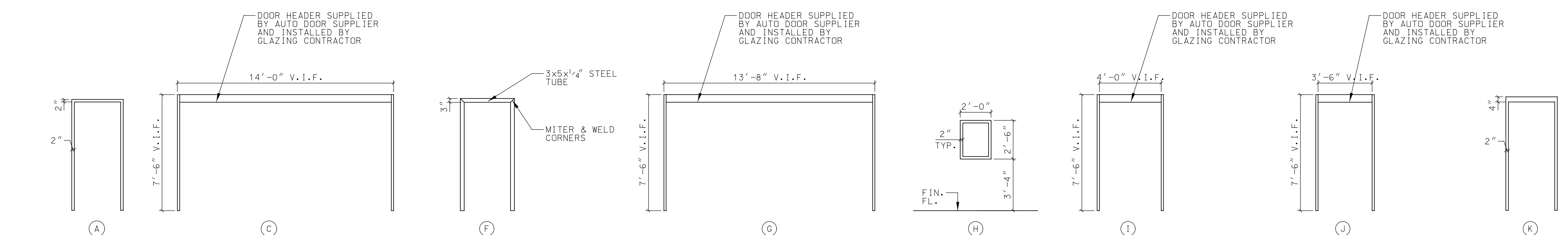
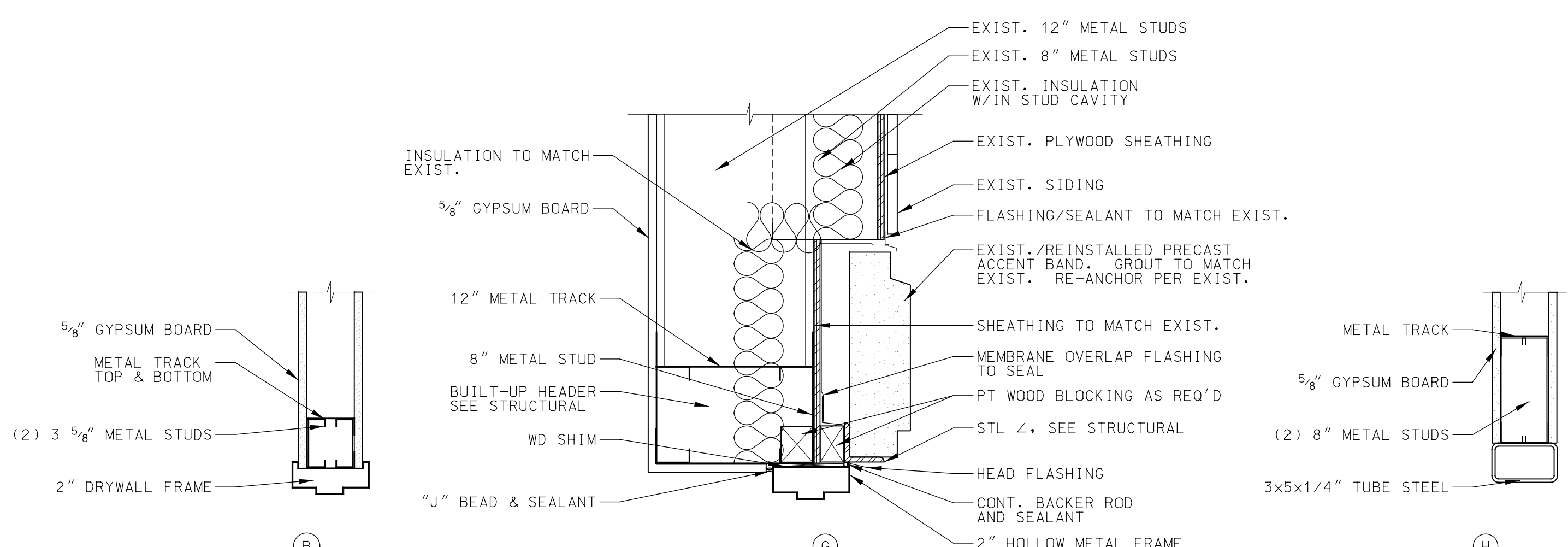


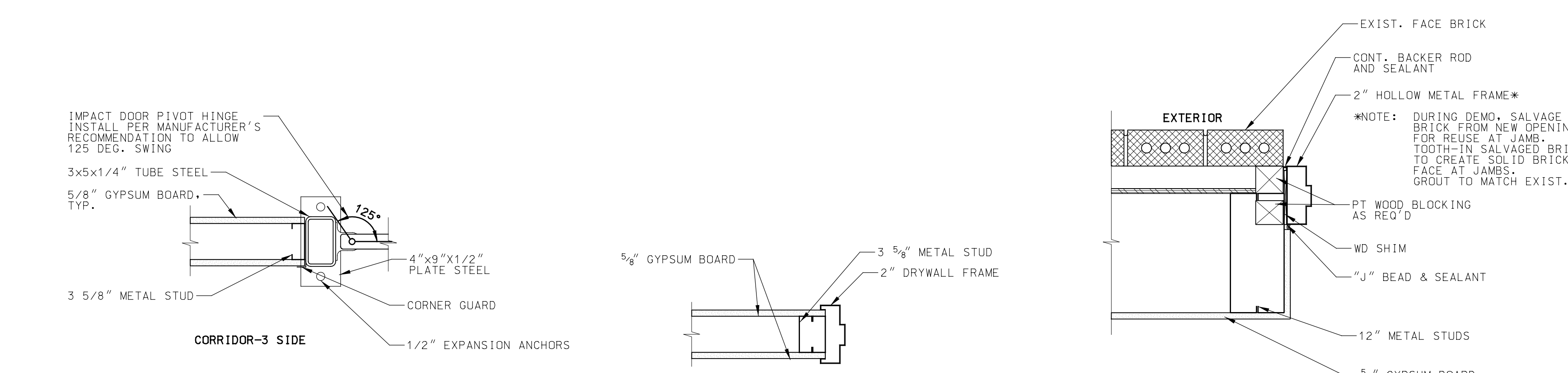
1 DOOR TYPES
1/4" = 1'-0"



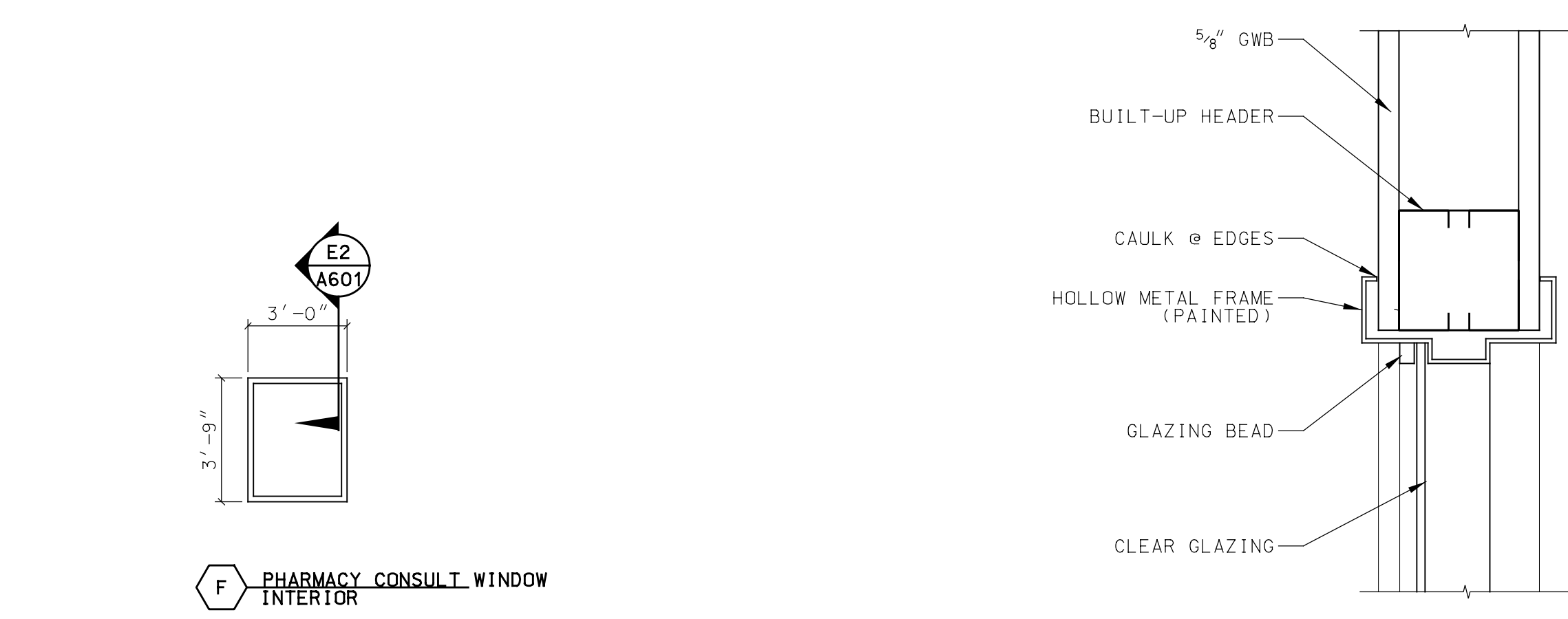
2 FRAME TYPES
1/4" = 1'-0"



3 DOOR HEAD DETAILS
1/2" = 1'-0"



4 DOOR JAMB DETAILS
1/2" = 1'-0"



6 WINDOW ELEVATION
1/4" = 1'-0"

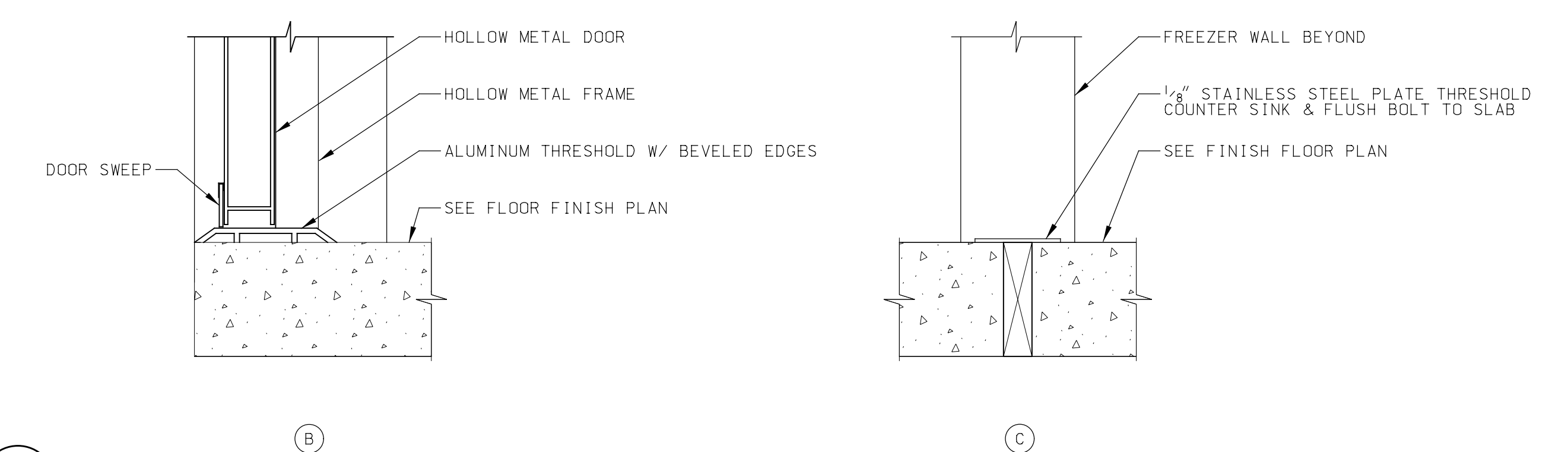
E2 A601 INTERIOR WINDOW HEAD DETAIL (SILL SIMILAR)
3" = 1'-0"

DR NO	ROOM NAME	DOOR		FRAME		FIRE RATING (HR)	HORN SET (ND)	REMARKS	DOOR NO
		SIZE	MAT TYPE	DETAILS	TYPE				
1	VESTIBULE	14'-0" x 7'-0"	AL/GL 5	-	-	-	-	1 1/4" - 0" PACKAGE WITH - BRUSHED ALUMINUM FINISH. * THRESHOLD TO MATCH EXIST.	1
2	VESTIBULE	13'-8" x 7'-0"	AL/GL 5	-	-	-	-	1 1/4" - 0" PACKAGE WITH - BRUSHED ALUMINUM FINISH. * THRESHOLD TO MATCH EXIST.	2
3	PORTLAND POLICE	3'-0" x 7'-0" x 1 1/2"	WD 1	-	-	-	-	NEW DOOR IN EXIST. FRAME. PAINT/PREFINISH FRAME 24" x 24" ONE WAY GLASS	3
4	CLYNK	3'-6" x 7'-0" x 1 1/2"	WD 1	-	-	-	-	NEW DOOR IN EXIST. FRAME. PAINT/PREFINISH FRAME	4
5	CLYNK	2'-0" x 2'-6" B.D. FRAME @ 3'-4" V.I.F.	HM 2	B	2	-	HM H	NEW DOOR AND FRAME. PAINT TO MATCH EXIST.	5
6	CLYNK	3'-8" x 7'-0" x 1 1/2"	HM 1	G	7	B	HM K	NEW INSULATED DOOR AND FRAME. PAINT TO MATCH EXISTING ADJACENT	6
7	TILL RM	3'-0" x 7'-0" x 1 1/2"	WD 1	-	-	-	-	NEW DOOR IN EXIST. FRAME. PAINT/PREFINISH FRAME. ONE WAY GLASS	7
8	CUSTOMER SERVICE	3'-0" x 7'-0" x 1 1/2"	WD 1	-	-	-	-	NEW DOOR IN EXIST. FRAME. PAINT/PREFINISH FRAME	8
9	MEETING ROOM	3'-0" x 7'-0" x 1 1/2"	WD 1	B	2	-	HM A	NEW DOOR AND FRAME	9
10	STOR	3'-0" x 7'-0" x 1 1/2"	WD 8	B	2	-	HM A	EXISTING DOOR AND FRAME TO REMAIN	10
11	CONSULT	3'-0" x 7'-0" x 1 1/2"	WD 8	B	2	-	HM A	NEW DOOR AND FRAME. UNDER DOOR 3/4"	11
12	PHARMACY	SEE PLAN	AL	6	-	-	-	FOLDING GRILLE	12
13	SPIRITUALR HDM	3'-0" x 7'-0" x 1 1/2"	WD 1	-	-	-	-	EXISTING DOOR AND FRAME TO REMAIN	13
14	SECURITY	3'-0" x 7'-0" x 1 1/2"	WD 1	-	-	-	-	NEW DOOR IN EXIST. FRAME. PAINT/PREFINISH FRAME	14
15	VESTIBULE	4'-0" x 7'-0"	AL/GL 10	-	-	-	-	NEW STOREFRONT DOOR AND ALUM. FRAME PROVIDED BY MANUFACTURER. * THRESHOLD TO MATCH EXIST.	15
16	VESTIBULE	3'-6" x 7'-0"	AL/GL 10	-	-	-	-	NEW STOREFRONT DOOR AND ALUM. FRAME PROVIDED BY MANUFACTURER. * THRESHOLD TO MATCH EXIST.	16
17	VESTIBULE	4'-0" x 7'-0"	AL/GL 10	-	-	-	-	NEW STOREFRONT DOOR AND ALUM. FRAME PROVIDED BY MANUFACTURER. * THRESHOLD TO MATCH EXIST.	17
18	VESTIBULE	3'-6" x 7'-0"	AL/GL 10	-	-	-	-	NEW STOREFRONT DOOR AND ALUM. FRAME PROVIDED BY MANUFACTURER. * THRESHOLD TO MATCH EXIST.	18
19	VESTIBULE	3'-6" x 7'-0"	AL/GL 10	-	-	-	-	NEW STOREFRONT DOOR AND ALUM. FRAME PROVIDED BY MANUFACTURER. * THRESHOLD TO MATCH EXIST.	19
20	VESTIBULE	4'-0" x 7'-0"	AL/GL 10	-	-	-	-	NEW STOREFRONT DOOR AND ALUM. FRAME PROVIDED BY MANUFACTURER. * THRESHOLD TO MATCH EXIST.	20
21	VESTIBULE	3'-6" x 7'-0"	AL/GL 10	-	-	-	-	NEW STOREFRONT DOOR AND ALUM. FRAME PROVIDED BY MANUFACTURER. * THRESHOLD TO MATCH EXIST.	21
22	VESTIBULE	4'-0" x 7'-0"	AL/GL 10	-	-	-	-	NEW STOREFRONT DOOR AND ALUM. FRAME PROVIDED BY MANUFACTURER. * THRESHOLD TO MATCH EXIST.	22
23	SERVICE MAGR.	3'-0" x 7'-0" x 1 1/2"	WD 1	-	-	-	-	NEW DOOR IN EXIST. FRAME. PAINT/PREFINISH FRAME	23
24	SCAN FILE	3'-0" x 7'-0" x 1 1/2"	WD 1	-	-	-	-	NEW DOOR IN EXIST. FRAME. PAINT/PREFINISH FRAME	24
25	BEER STORAGE	2'-6" x 8'-0" PAIR	-	3	-	-	-	NEW IMPACT DOOR IN EXISTING FRAME. 125 DEGREE SWING ROOM SIDE. COLOR: BEIGE. PAINT FRAME TO MATCH	25
26	DAIRY EXIT	-	-	-	-	-	-	EXISTING DOOR AND FRAME TO REMAIN. PAINT DOOR AND FRAME TO MATCH	26
27	RECEIVING	3'-0" x 8'-0" PAIR	-	3	-	-	-	NEW IMPACT DOOR IN EXISTING FRAME. 125 DEGREE SWING RECEIVING SIDE. COLOR: BEIGE. PAINT FRAME TO MATCH	27
28	DAIRY COOLER	-	-	-	-	-	-	EXISTING DOOR AND FRAME TO REMAIN	28
29	RECEIVING	-	-	-	-	-	-	EXISTING DOOR AND FRAME TO REMAIN	29
30	RECEIVING	-	-	-	-	-	-	EXISTING DOOR AND FRAME TO REMAIN	30
31	RECEIVING	-	-	-	-	-	-	EXISTING DOOR AND FRAME TO REMAIN	31
32	RECEIVING	-	-	-	-	-	-	EXISTING DOOR AND FRAME TO REMAIN	32
33	STAIR-3	3'-0" x 7'-0"	-	11	-	-	-	EXISTING DOOR AND FRAME TO REMAIN	33
34	MEAT PREP	3'-0" x 7'-0"	-	11	-	-	-	NEW IMPACT DOOR IN EXISTING FRAME BY COOLER MANUFACTURER	34
35	MEAT COOLER	2'-6" x 8'-0" PAIR	-	3	-	-	-	NEW IMPACT DOOR IN EXISTING FRAME BY COOLER MANUFACTURER	35
36	MEAT PREP	3'-0" x 7'-0"	-	11	-	-	-	NEW IMPACT DOOR IN EXISTING FRAME BY COOLER MANUFACTURER	36
37	CORRIDOR-2	3'-0" x 7'-0"	-	11	-	-	-	EXISTING DOOR AND FRAME TO REMAIN	37
38	SEAF PREP	3'-4" x 7'-0"	-	11	-	-	-	NEW IMPACT DOOR IN EXISTING FRAME BY COOLER MANUFACTURER. PAINT/PREFINISH FRAME BY G.C.	38
39	STAIR-2	3'-0" x 7'-0"	-	11	-	-	-	EXISTING DOOR AND FRAME TO REMAIN	39
40	ADA CHAIR LIFT	3'-0" x 7'-0"	-	11	-	-	-	EXISTING DOOR AND FRAME TO REMAIN	40
41	DELT PREP	3'-4" x 7'-0"	-	11	-	-	-	NEW IMPACT DOOR IN EXISTING FRAME BY COOLER MANUFACTURER. PAINT/PREFINISH FRAME BY G.C.	41
42	DELT PREP	3'-4" x 7'-0"	-	11	-	-	-	NEW IMPACT DOOR IN EXISTING FRAME BY COOLER MANUFACTURER. PAINT/PREFINISH FRAME BY G.C.	42
43	RECEIVING	-	-	-	-	-	-	EXISTING DOOR AND FRAME TO REMAIN	43
44	RECEIVING	-	-	-	-	-	-	EXISTING DOOR AND FRAME TO REMAIN	44
45	RECEIVING	-	-	-	-	-	-	EXISTING DOOR AND FRAME TO REMAIN	45
46	RECEIVING	3'-0" x 8'-0" PAIR	-	3	-	-	-	NEW IMPACT DOOR IN EXISTING FRAME. 125 DEGREE SWING RECEIVING SIDE. COLOR: BEIGE. PAINT FRAME TO MATCH	46
47	RECEIVING	3'-0" x 7'-0"	-	11	H	1	-	NEW IMPACT DOOR AND NEW FRAME. COLOR: BEIGE	47
48	STAIR-1	3'-0" x 7'-0"	-	11	-	-	-	EXISTING DOOR AND FRAME TO REMAIN	48
49	STAIR-1	3'-0" x 7'-0"	-	11	-	-	-	EXISTING DOOR AND FRAME TO REMAIN	49
50	CORRIDOR-3	3'-0" x 7'-0" (V.I.F.)	-	11	-	-	-	NEW DOOR IN EXISTING FRAME. COLOR: BEIGE. PAINT/PREFINISH FRAME TO MATCH	50
51	GRILL/SUSHI STORAGE	3'-0" x 7'-0" x 1 1/2"	WD 1	B	2	-	HM A	NEW DOOR AND FRAME	51
52	EMERGENCY EXIT	-	-	-	-	-	-	EXISTING DOOR AND FRAME TO REMAIN. PAINT DOOR AND FRAME TO MATCH	52
53	PRODUCE COOLER	-	-	-	-	-	-	EXISTING DOOR AND FRAME TO REMAIN	53
54	MEN-1	3'-0" x 7'-0" x 1 1/2"	WD 2	-	-	-	-	NEW DOOR IN EXIST. FRAME. PAINT/PREFINISH FRAME	54
55	WOMEN-1	3'-0" x 7'-0" x 1 1/2"	WD 2	-	-	-	-	NEW DOOR IN EXIST. FRAME. PAINT/PREFINISH FRAME	55
60	EMERG. GEN. ROOM	3'-0" x 7'-0" x 1 1/2"	HM 1	B	2	-	HM A	* B LABEL DOOR AND FRAME	60

DOOR NOTES:
 1. SEE SPECIFICATIONS FOR HDWR SET # AND ADDITIONAL INFORMATION.
 2. DOOR CLOSURES SHALL NOT BE IN VIEW FROM THE SALES AREA EXCEPT AT EMERGENCY DOORS.
 3. CONTRACTOR TO VERIFY IN FIELD ALL DOOR AND FRAME SIZES PRIOR TO SUBMITTAL AND FABRICATION/ORDERING.
 4. NO SCOPE OF WORK TO EXISTING MEZZANINE DOORS

WINDOW SCHEDULE			
MARK	GLAZING TYPE	MATERIAL	COLOR
E	A	HM	PS5

WINDOW NOTES:
 1. SEE SPECIFICATIONS FOR ADDITIONAL INFORMATION.
 2. ALL DIMENSIONS TO BE FIELD VERIFIED.
 3. TINTED LOCATIONS TO BE GRAY. SEE SPEC.



5 DOOR SILL TYPES
3" = 1'-0"

Project Title: REMODEL HANNAFORD SUPERMARKET & PHARMACY STORE #8351 - 295 FOREST AVENUE PORTLAND, MAINE 04101

Prepared By: JACOBS ENGINEERING GROUP, INC. 3500 MAJOR BLVD. SUITE 400 PORTLAND, ME 04103-5001

Architect of Record: FLOVD W. MCCOLLUM, JR. AIA MAINE LICENSED ARCHITECT 3850

Scale: AS NOTED Date: 10/21/11

Designed by: S OUELLETTE Drawn by: I ESHAK Checked by: S OUELLETTE

Drawing No. A601 Project No. PFR0300