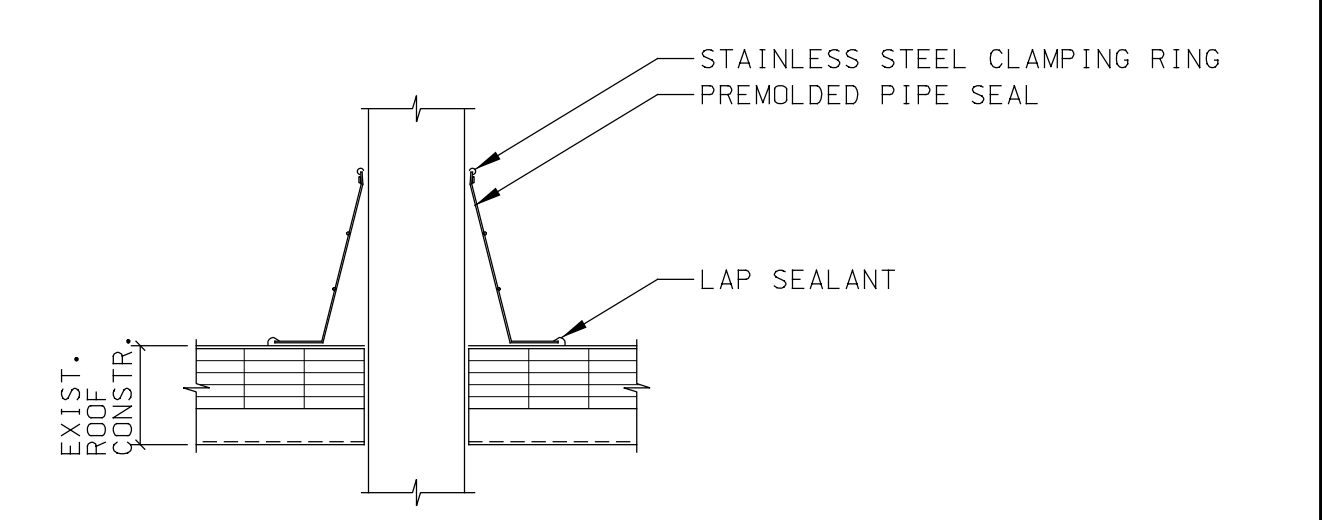


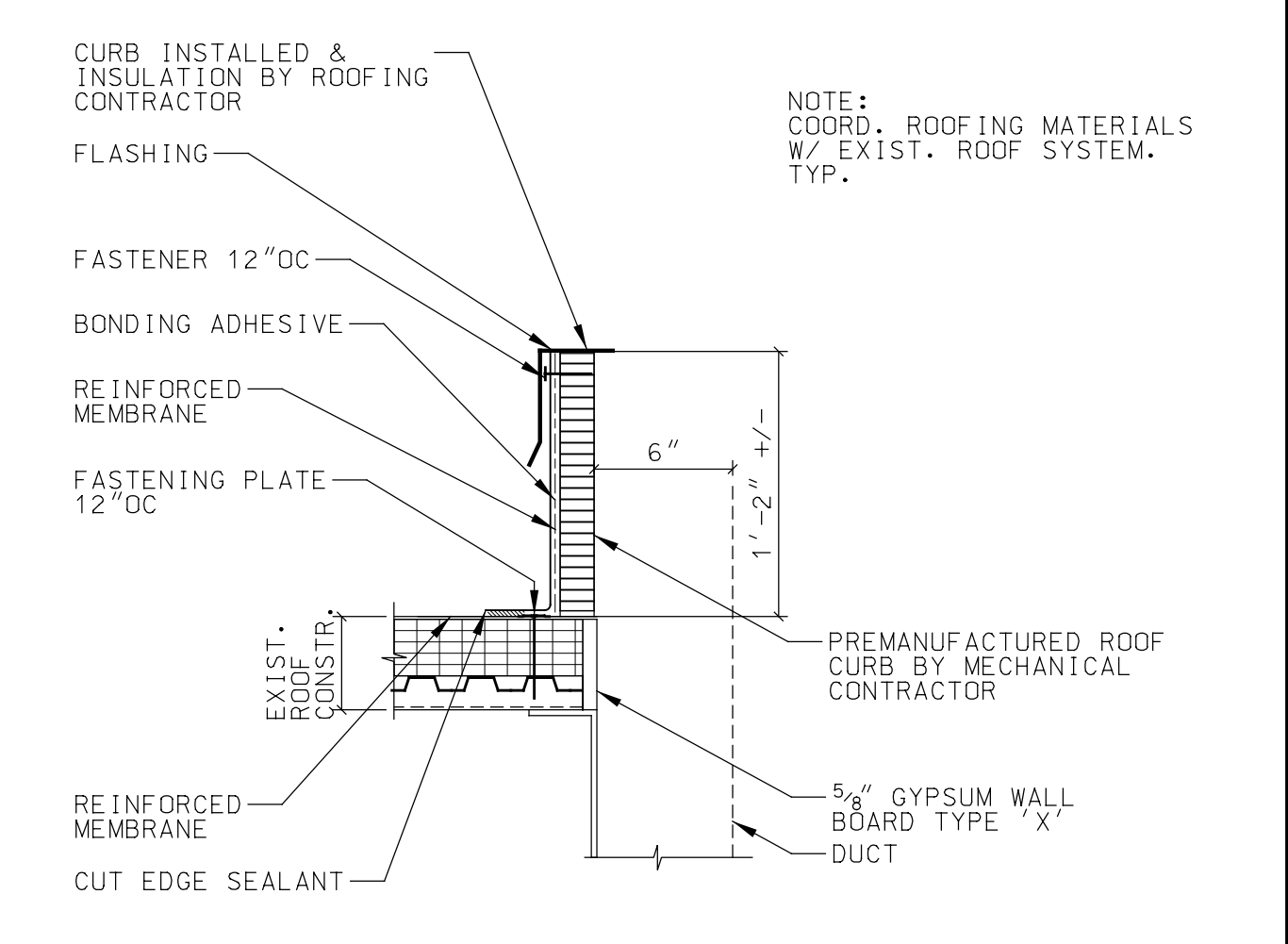
NOTE: COORD. ROOFING MATERIALS W/ EXIST. ROOF SYSTEM. TYP.

**A1 TYPICAL PITCH POCKET**  
**A104** 1 1/2" = 1'-0"



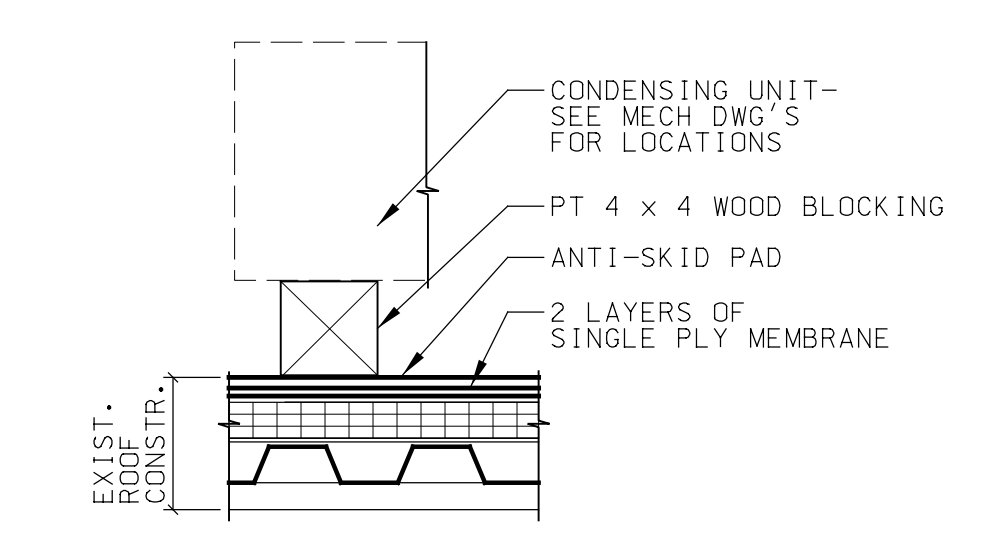
NOTE: COORD. ROOFING MATERIALS W/ EXIST. ROOF SYSTEM. TYP.

**B1 TYPICAL VTR FLASHING**  
**A104** 1 1/2" = 1'-0"



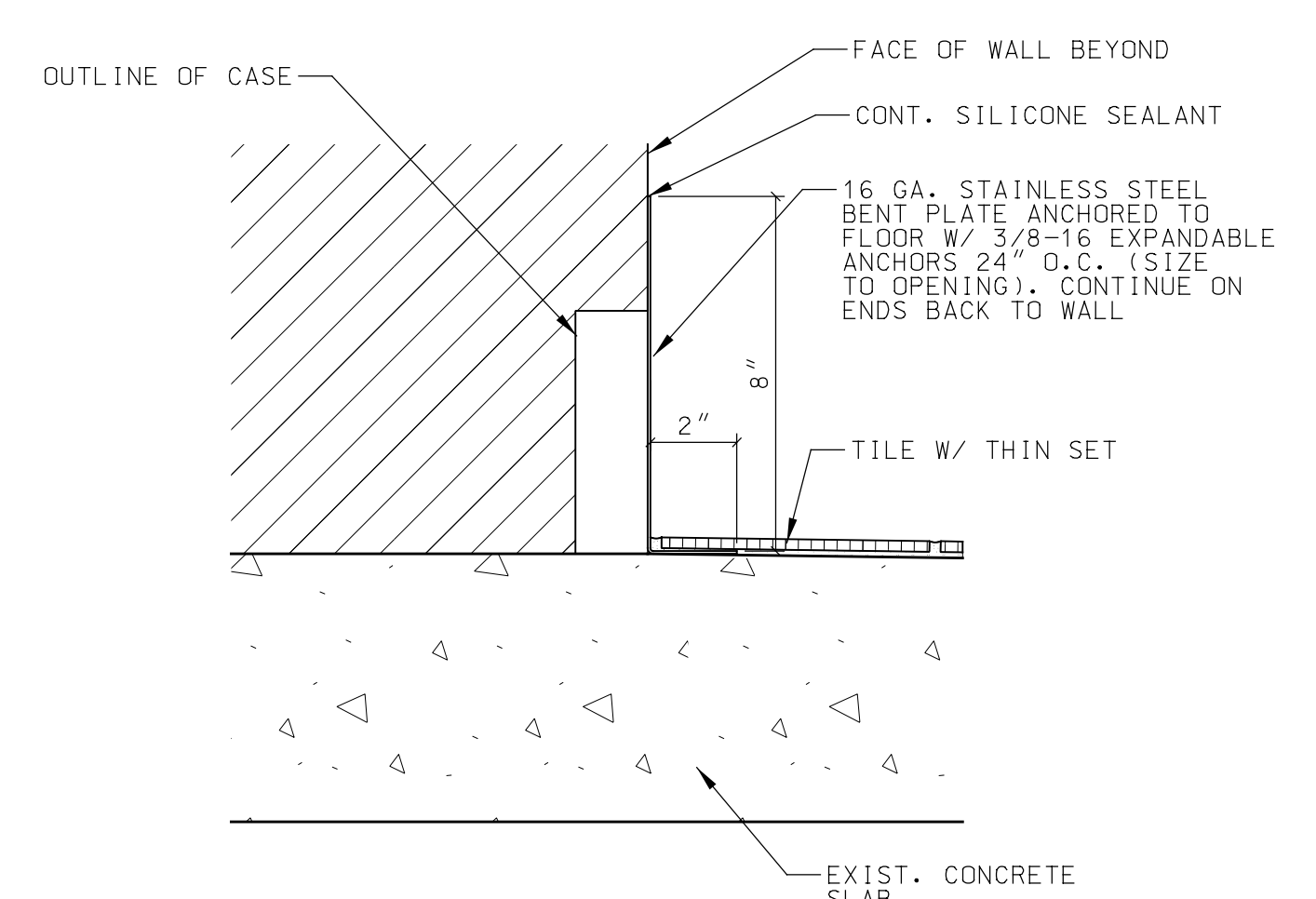
NOTE: COORD. ROOFING MATERIALS W/ EXIST. ROOF SYSTEM. TYP.

**C1 PRE-MANUFACTURED CURB**  
**A104** 1 1/2" = 1'-0"

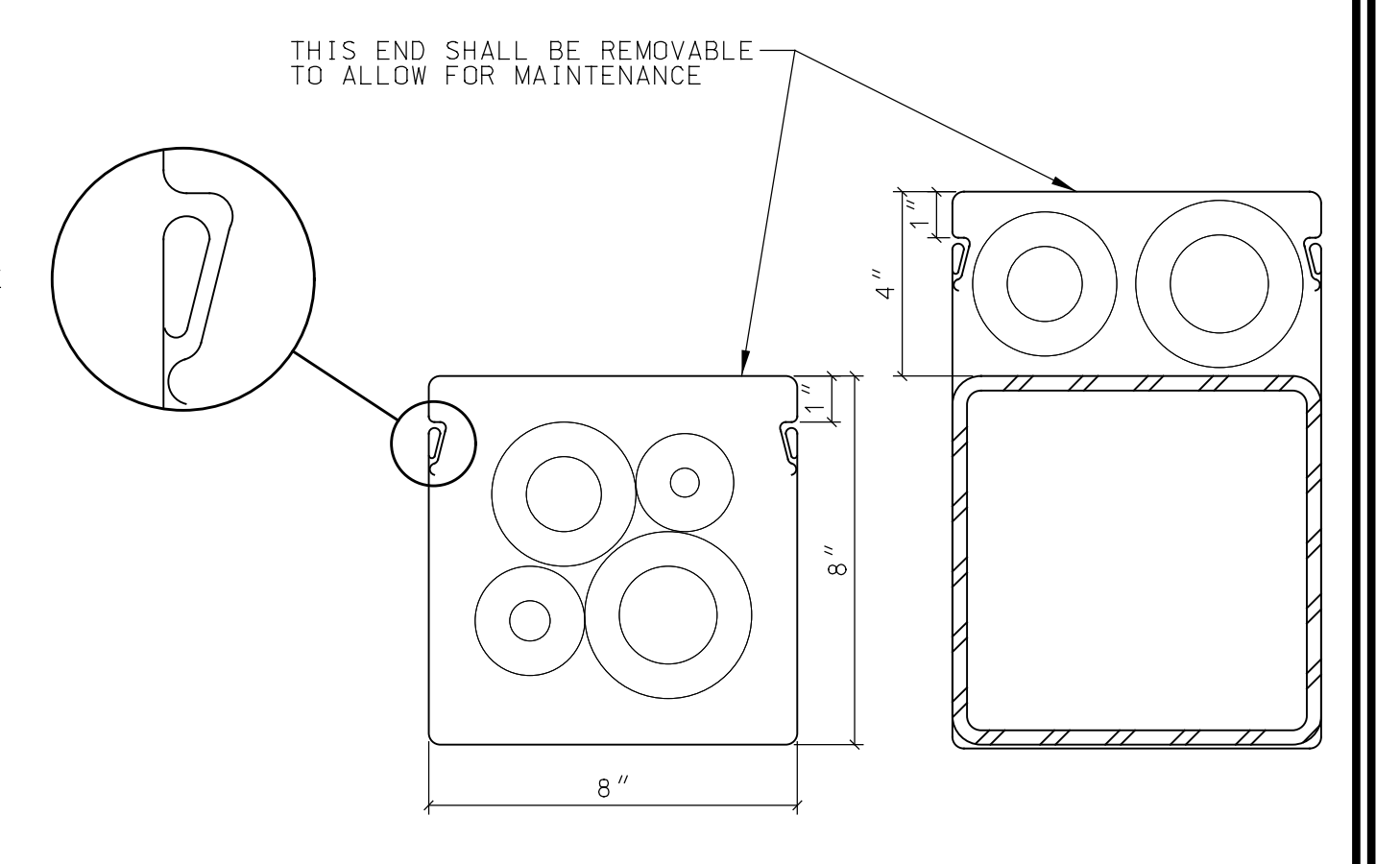


NOTE: COORD. ROOFING MATERIALS W/ EXIST. ROOF SYSTEM. TYP.

**D1 CONDENSING UNIT SUPPORT DETAIL**  
**A104** 1 1/2" = 1'-0"

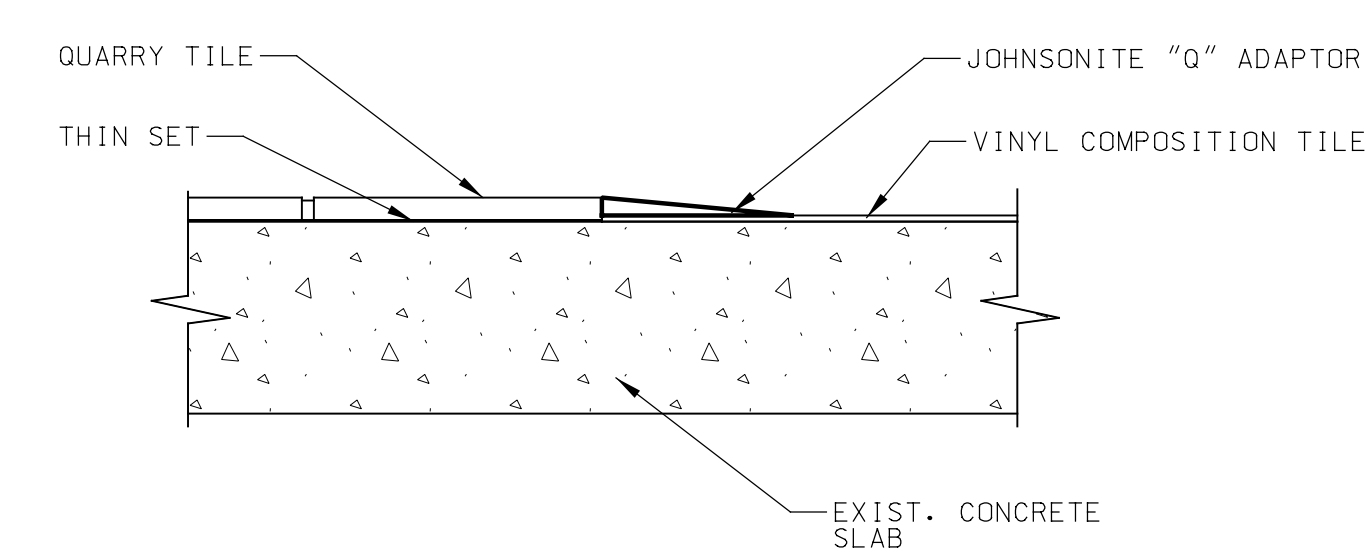


**D2 CLOSURE DETAIL AT MEAT CASE**  
**A102** 3" = 1'-0"

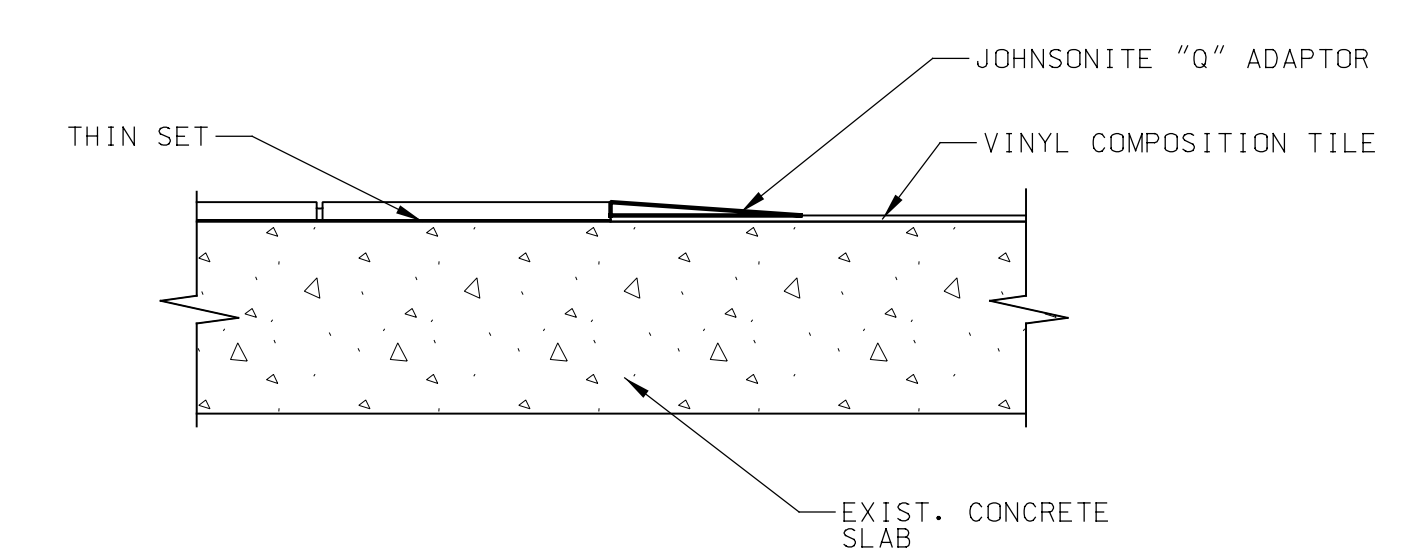


NOTE: BRAKE METAL FALSE COLUMN COLOR TO MATCH COLUMN. ATTACH TO UNISTRUT AT CASE TAB OF BAR JOIST.

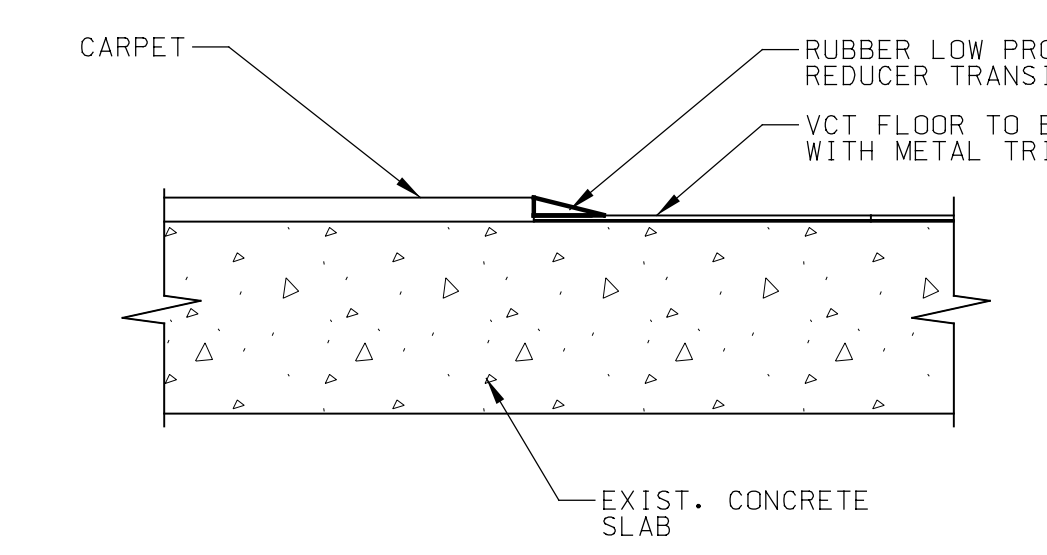
**D3 CLOSURE DETAIL AT FALSE COLUMN**  
**A101** 3" = 1'-0"



**E1 VCT TO QUARRY TILE TRANSITION**  
**A102** 3" = 1'-0"



**E2 VCT TO PORCELAIN TILE TRANSITION**  
**A102** 3" = 1'-0"



**E3 CARPET TO VCT TRANSITION**  
**A102** 3" = 1'-0"

No.	Date	Revision
1	11/19/11	ISSUED FOR CONSTRUCTION
0	10/21/11	ISSUED FOR HANNAFORD TOOK REVIEW

Project Title:  
**REMODEL HANNAFORD SUPERMARKET & PHARMACY**  
**STORE #8351 - 295 FOREST AVENUE**  
**PORTLAND, MAINE 04101**

Hannaford Bros. Co.

Prepared By:  
**JACOBS**  
 JACOBS ENGINEERING GROUP, INC.  
 5700 Major Boulevard, Suite 400  
 Columbia, Maryland 21046  
 Phone: 410-303-5200 Fax: 410-303-5195

Architect of Record:  
 NAME: FLOYD W. MCCOLLUM, JR., AIA  
 MAINE LICENSED ARCHITECT: 3850

MISC DETAILS  
 Scale: AS NOTED  
 Date: 10/21/11  
 Designed by: I ESHAK  
 Drawn by: I ESHAK  
 Checked by: S OUELLETTE

Drawing No.  
**A502**  
 Project No.  
**FRYR0300**  
 IBC-PORTLAND, ME