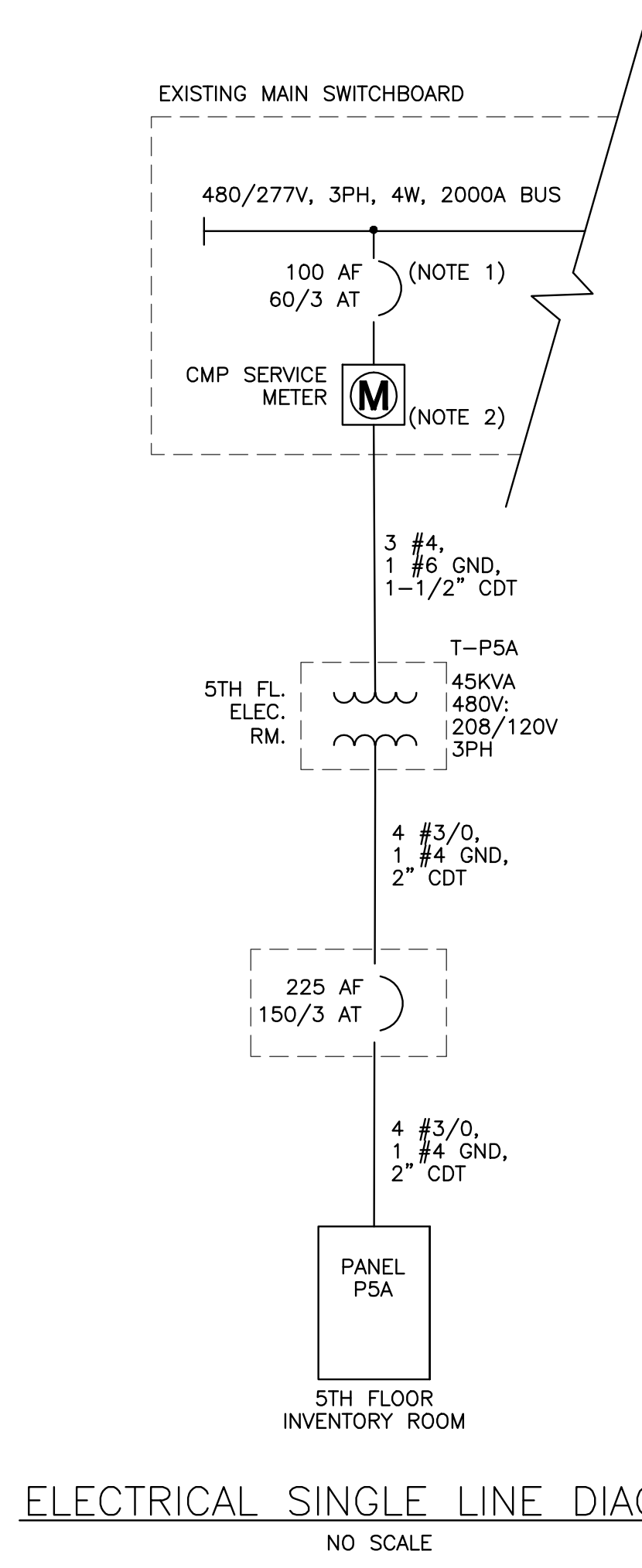
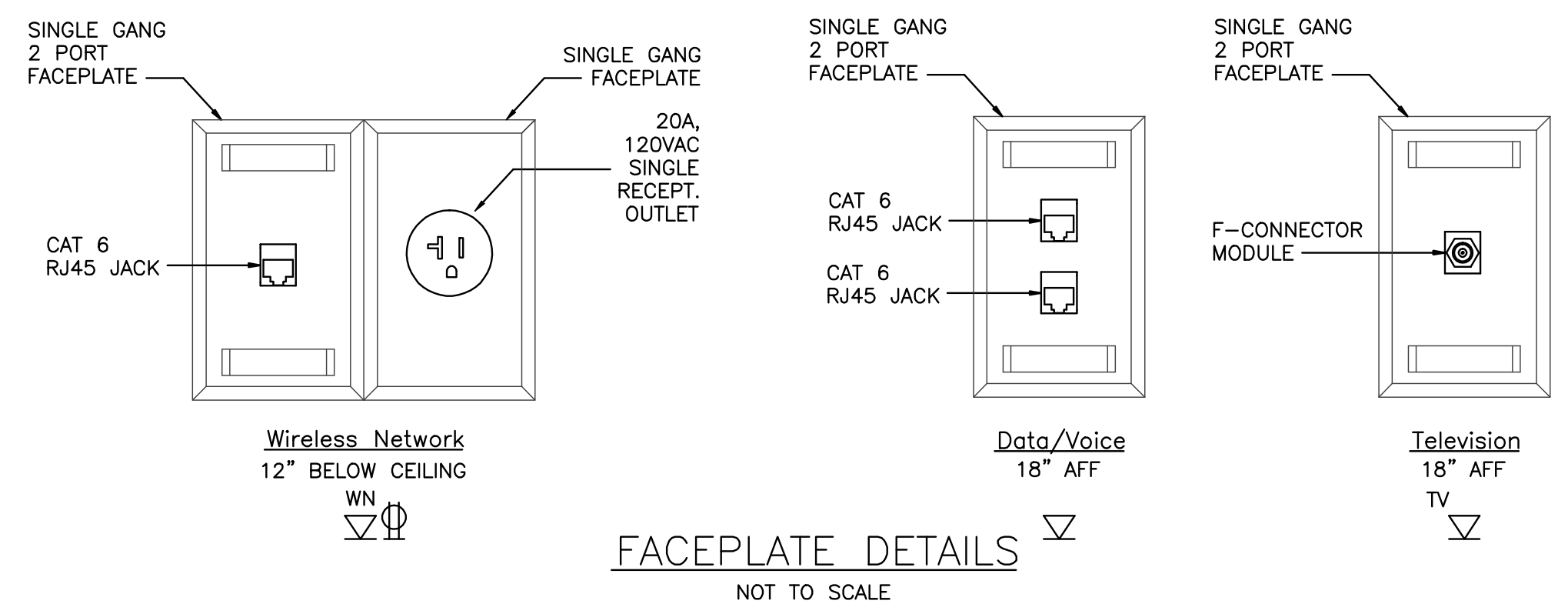


ELECTRICAL PLAN & SINGLE LINE SYMBOLS

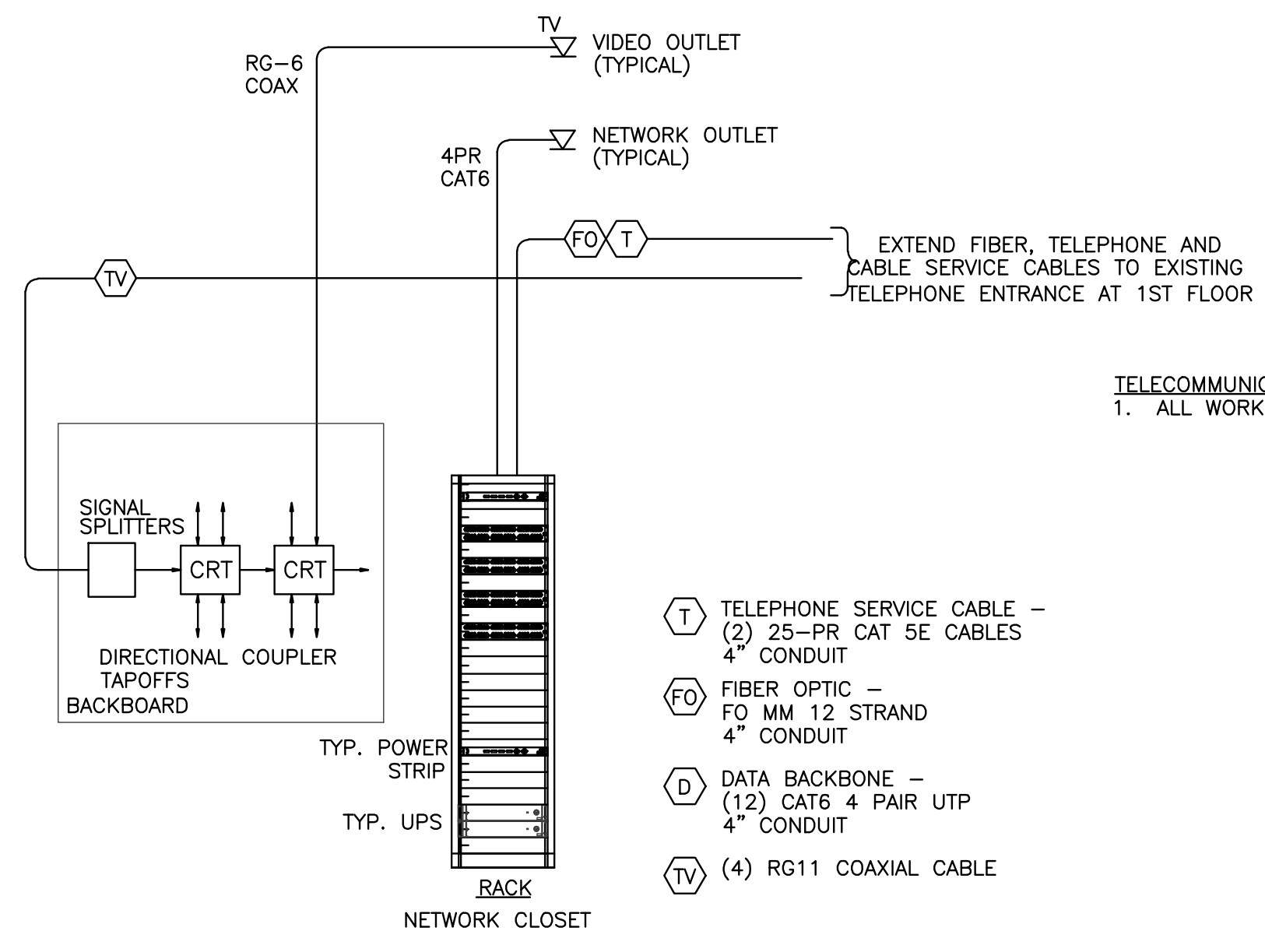
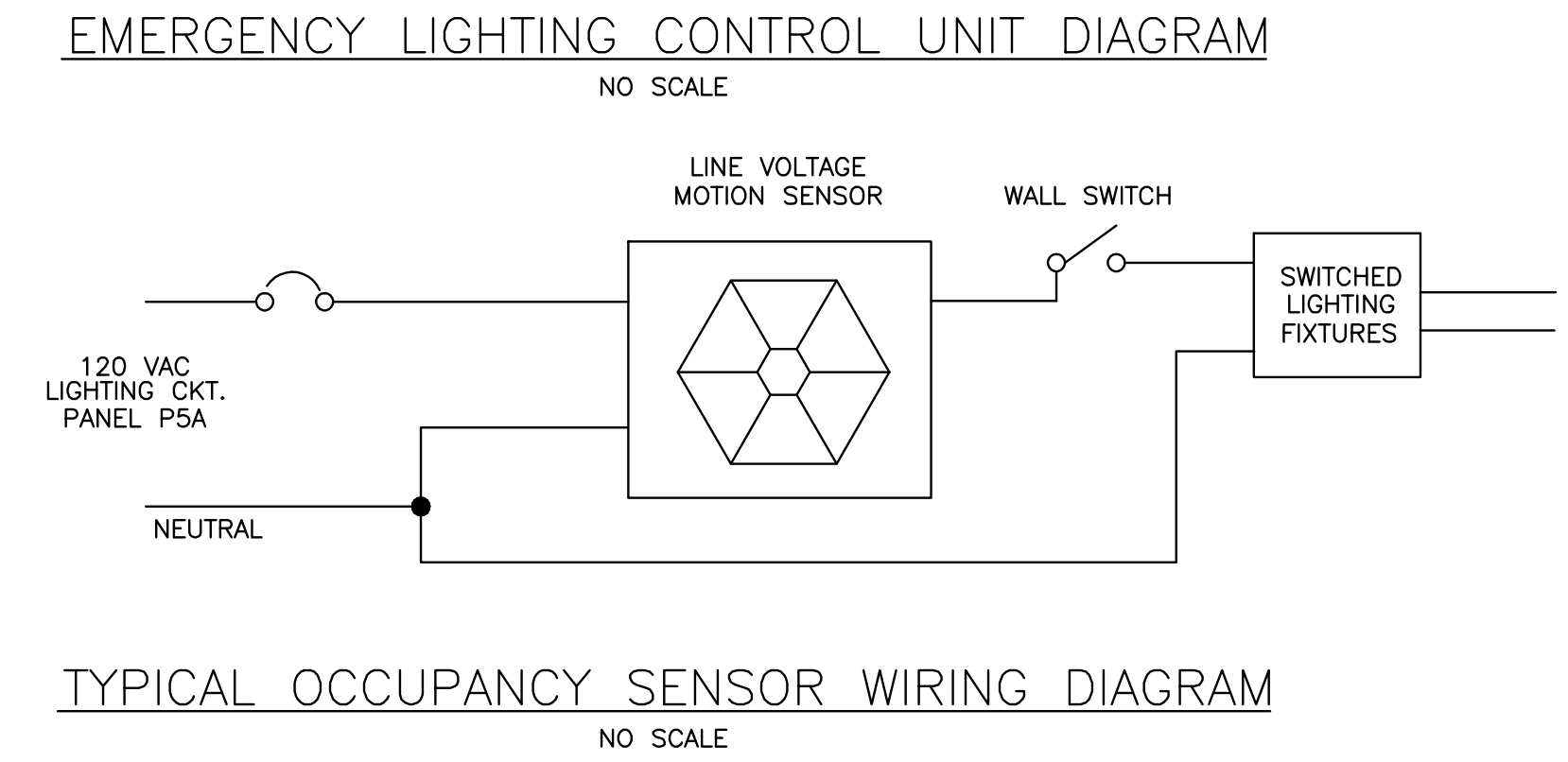
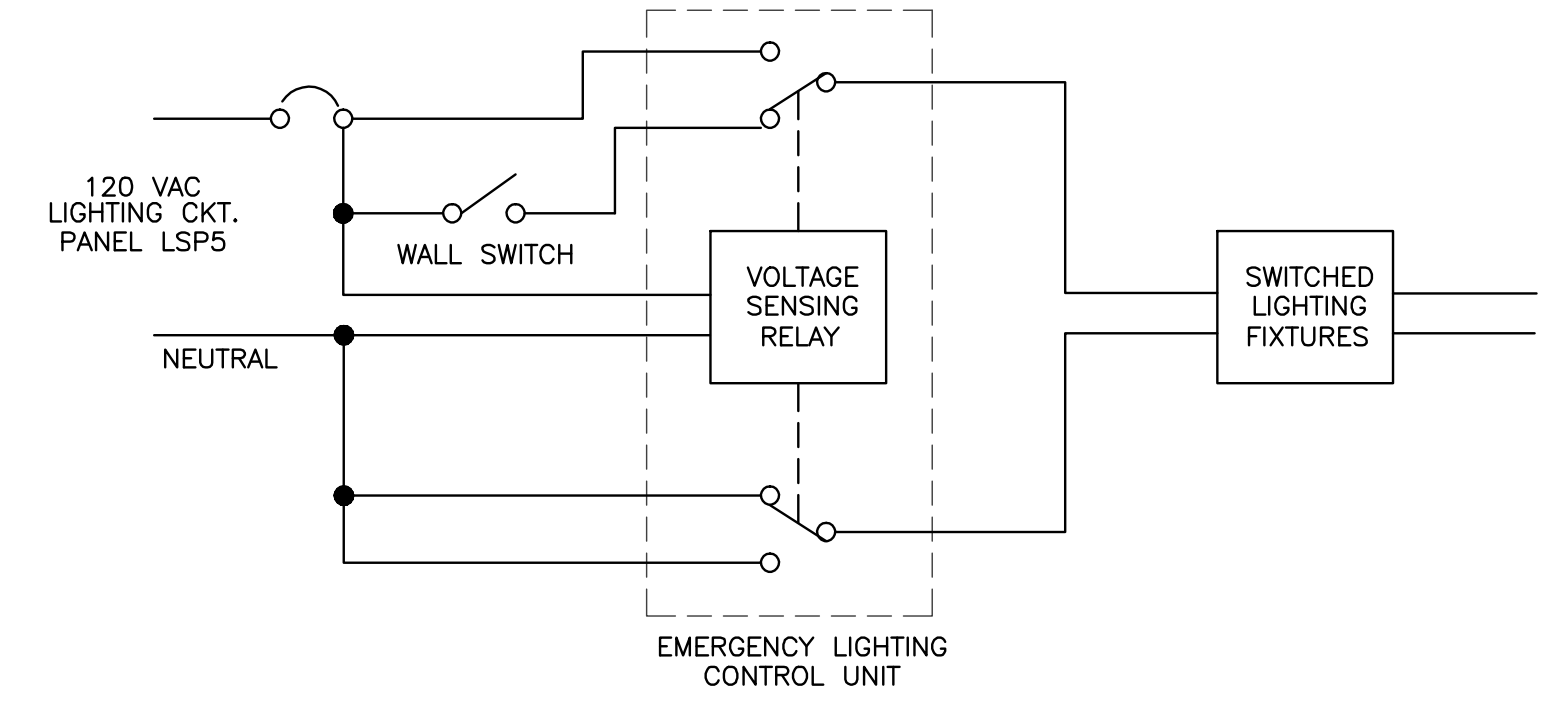
| SYMBOL | DESCRIPTION | SYMBOL | DESCRIPTION |
|--------|---|--------|--|
| | 125V, 20A, DUPLEX GROUNDED RECEPTACLE GFI = Ground Fault Interrupt AC = 6" Above Counter or Sink WP = Weatherproof TR = Technology Receptacle WN = Wireless Network Outlet (12" below the clg) | | RECESSED/SURFACE MOUNTED 1X4 LIGHTING FIXTURE Fixture Designation Switching Control Designation (See Lighting Fixture Schedule for Details) |
| | QUAD RECEPTACLE | | RECESSED/SURFACE MOUNTED 2X4 LIGHTING FIXTURE Fixture Designation Switching Control Designation (See Lighting Fixture Schedule for Details) |
| | 250V, SINGLE GROUNDED RECEPTACLE Indicates Ampere Rating | | RECESSED/SURFACE MOUNTED 2X2 LIGHTING FIXTURE Fixture Designation Switching Control Designation (See Lighting Fixture Schedule for Details) |
| | DUPLEX DATA PROCESSING OUTLET | | RECESSED/SURFACE MOUNTED CIRCULAR LIGHTING FIXTURE Fixture Designation Switching Control Designation (See Lighting Fixture Schedule for Details) |
| | TELEPHONE OUTLET W = Wall Mounted Height 48" | | RECESSED/SURFACE MOUNTED ACCENT LIGHTING FIXTURE Fixture Designation Switching Control Designation (See Lighting Fixture Schedule for Details) |
| | COMBINATION DATA/TELEPHONE OUTLET | | WALL MOUNTED LIGHTING FIXTURE Fixture Designation Switching Control Designation (See Lighting Fixture Schedule for Details) |
| | UNDER-CARPET CABLE SYSTEM FLOOR BOX (Contents May Vary, See Plan for Details) | | WALL MOUNTED EMERGENCY LIGHTING FIXTURE Fixture Designation (See Lighting Fixture Schedule for Details) |
| | CABLE TELEVISION OUTLET | | CEILING MOUNTED EMERGENCY LIGHTING FIXTURE Fixture Designation (See Lighting Fixture Schedule for Details) |
| | JUNCTION BOX | | WALL MOUNTED EXIT SIGN Fixture Designation (See Lighting Fixture Schedule for Details) Provide Directional Arrows as Indicated on Plans |
| | WALL MOUNTED JUNCTION BOX | | CEILING MOUNTED EXIT SIGN Fixture Designation (See Lighting Fixture Schedule for Details) Provide Directional Arrows as Indicated on Plans |
| | CONTROL PANEL (See Plan for Details) | | LIGHTING/DEVICE SWITCH 3 = Three-Way Type 4 = Four-Way Type WP = Weatherproof PL = Pilot Light Switching Control Designation (See Plans for Details) |
| | ELECTRICAL PANELBOARD (See Plan for Details and Mounting) | | LIGHTING DIMMER 3 = Three-Way Type 4 = Four-Way Type Switching Control Designation (See Plans for Details) |
| | DOOR HOLDER | | TEMPERATURE CONTROL PANEL Provided Under Div 15 Wired Under Div 16 |
| | MOTOR STARTER | | VARIABLE FREQUENCY DRIVE Provided Under Div 15 Wired Under Div 16 |
| | UNFUSED DISCONNECT SWITCH FU = Fused No. of Poles Ampere Rating | | MOTOR OPERATED DAMPER Provided Under Div 15 Wired Under Div 16 |
| | MANUAL MOTOR STARTER | | HOMERUN TO PANELBOARD Indicates No. of Wires, Excluding Ground Circuit No. Panelboard Designation |
| | DOORBELL | | |
| | PUSHBUTTON | | |
| | WALL MTD SECURITY SYS MOTION DETECTOR | | |
| | CLG MTD SECURITY SYS MOTION DETECTOR | | |
| | SECURITY SYSTEM CCTV CAMERA | | |
| | SECURITY SYSTEM CARD READER | | |
| | SECURITY SYSTEM KEYPAD | | |
| | FIRE ALARM AUDIO/VISUAL INDICATOR Indicates Visual Only, No Horn Candela Rating | | |
| | FIRE ALARM PULL STATION | | |
| | FIRE ALARM HEAT DETECTOR | | |
| | FIRE ALARM SMOKE DETECTOR Indicates Duct Mounted | | |
| | FIRE ALARM WALL MOUNTED SMOKE DETECTOR | | |
| | FIRE ALARM TAMPERSWITCH | | |
| | FIRE ALARM FLOW SWITCH | | |
| | CLOCK | | |

* NOTE NOT ALL SYMBOLS USED *

FACEPLATE DETAIL NOTES
1. OUTLET JACKS AND FACEPLATES FOR TELECOMMUNICATIONS SYSTEM SHALL BE PROVIDED BY THE OWNER.



- DRAWING E3.1 NOTES
1. PROVIDE NEW CIRCUIT BREAKERS TO BE INSTALLED IN THE EXISTING MAIN SERVICE SWITCHBOARD AT THE FIRST FLOOR ELECTRICAL ROOM FOR FEEDERS SERVING THE 5TH AND 6TH FLOORS. NEW CIRCUIT BREAKERS SHALL MATCH EXISTING.
 2. ARRANGE WITH THE CENTRAL MAINE POWER COMPANY TO CONNECT NEW SERVICE METERS AT THE EXISTING MAIN SERVICE SWITCHBOARD FOR SERVICE TO THE 5TH AND 6TH FLOORS.
 3. CONNECT NEW FEEDER GROUND CONDUCTORS FOR THE 5TH FLOOR FEEDER TO THE EXISTING BUILDING GROUND SYSTEM PER NEC ARTICLE 250.
 4. PROVIDE AN EMERGENCY LIGHTING CONTROL UNIT FOR ALL EMERGENCY LIGHTING CIRCUITS. PROVIDE A UNIT FOR EACH WALL SWITCH TO AUTOMATICALLY TURN EMERGENCY LIGHTS ON REGARDLESS OF LOCAL WALL SWITCH POSITION. INSTALL UNITS ABOVE CLOSEST ACCESSIBLE CEILING.



TELECOMMUNICATIONS RISER DIAGRAM NOTES:
1. ALL WORK SHOWN SHALL BE PROVIDED BY THE OWNER.

- TELEPHONE SERVICE CABLE - (2) 25-PR CAT 5E CABLES 4" CONDUIT
- FIBER OPTIC - FO MM 12 STRAND 4" CONDUIT
- DATA BACKBONE - (12) CAT6 4 PAIR UTP 4" CONDUIT
- (4) RG11 COAXIAL CABLE

OWNER:
ARCHITECTS
ARCHETYPE, P.A.
48 Union Street, Portland, Maine 04101
(207) 772-6522 Fax (207) 772-4656

Project:
WinXnet
Complete Business Technology Solutions
84 Marginal Way, Portland, Maine 04101

Date: **May 12, 2008**
Scale: **As Noted**
Revisions:

electrical details & diagrams

e3.1