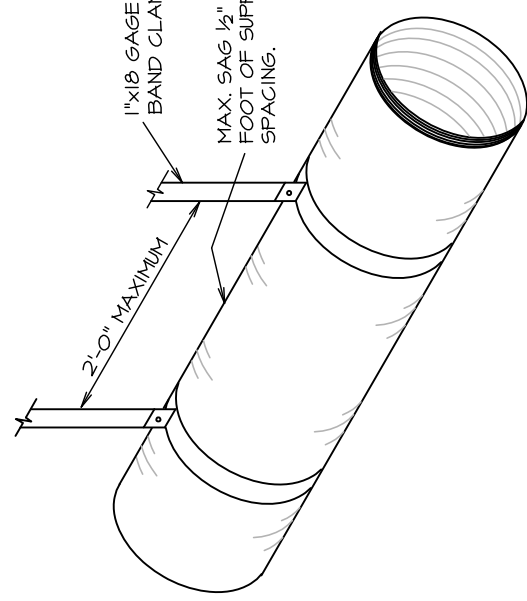
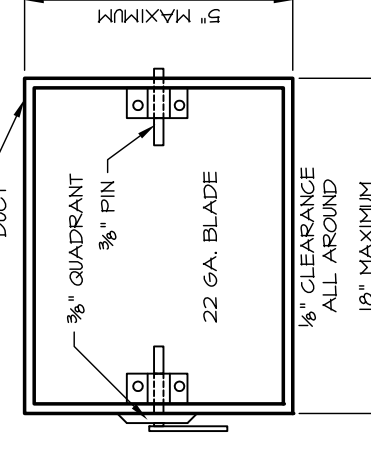


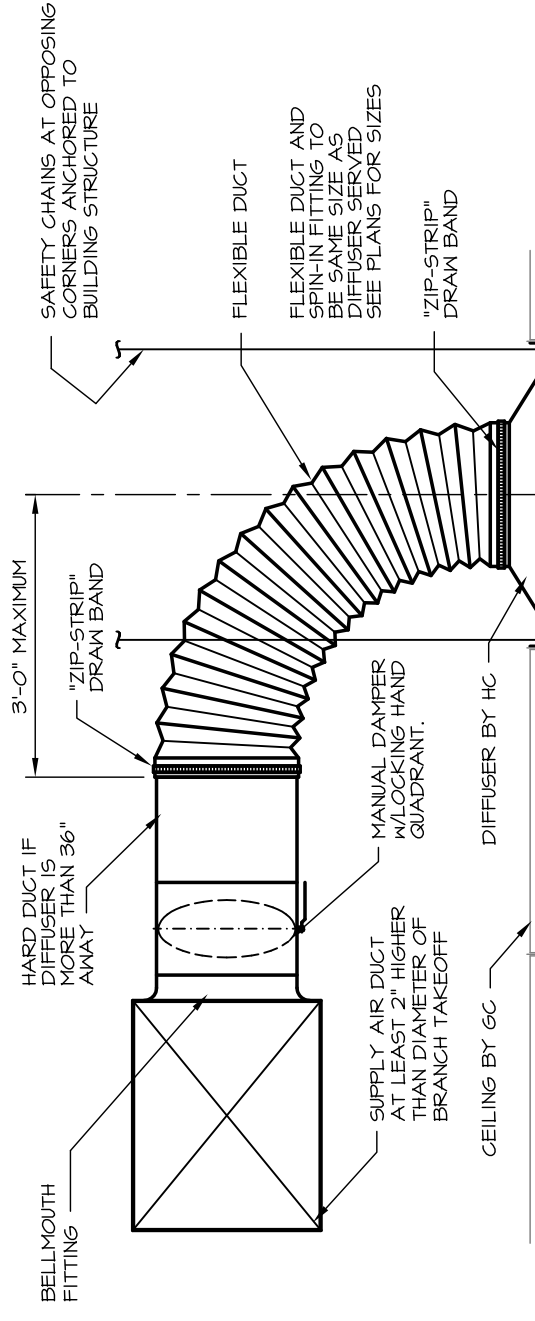
**1 ROUND DUCT SUPPORTS**  
NO SCALE



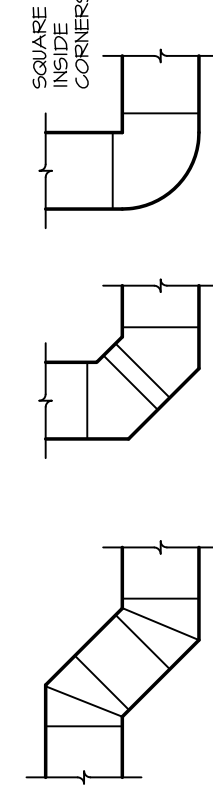
**5 FLEXIBLE DUCT SUPPORT DETAIL**  
NO SCALE



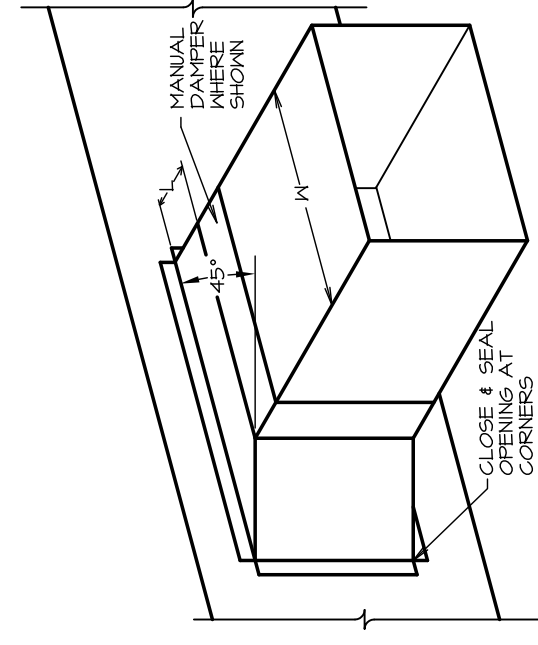
**6 SHOP FABRICATED MANUAL DAMPER**  
NO SCALE



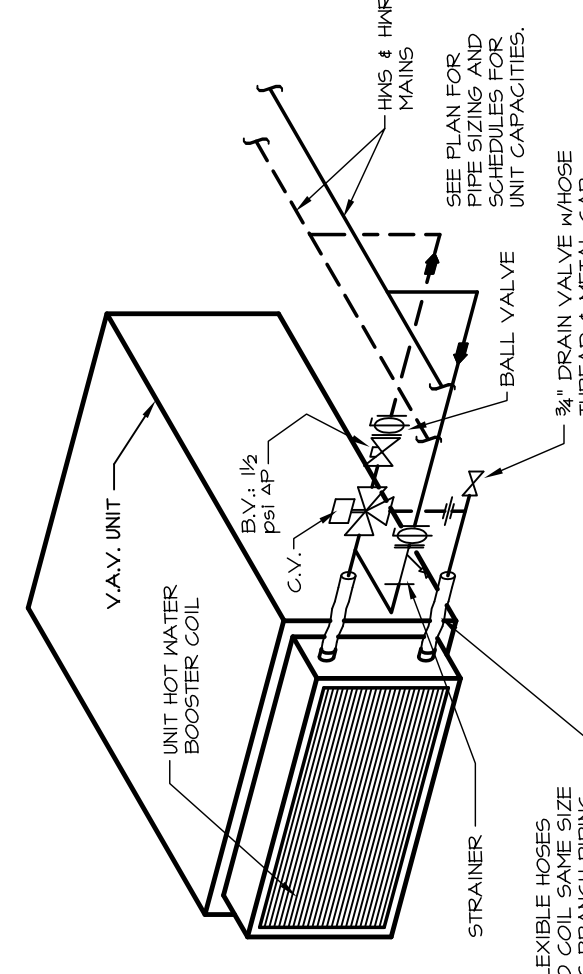
**2 FLEXIBLE DUCT & DIFFUSER CONNECTION DETAIL**  
NO SCALE



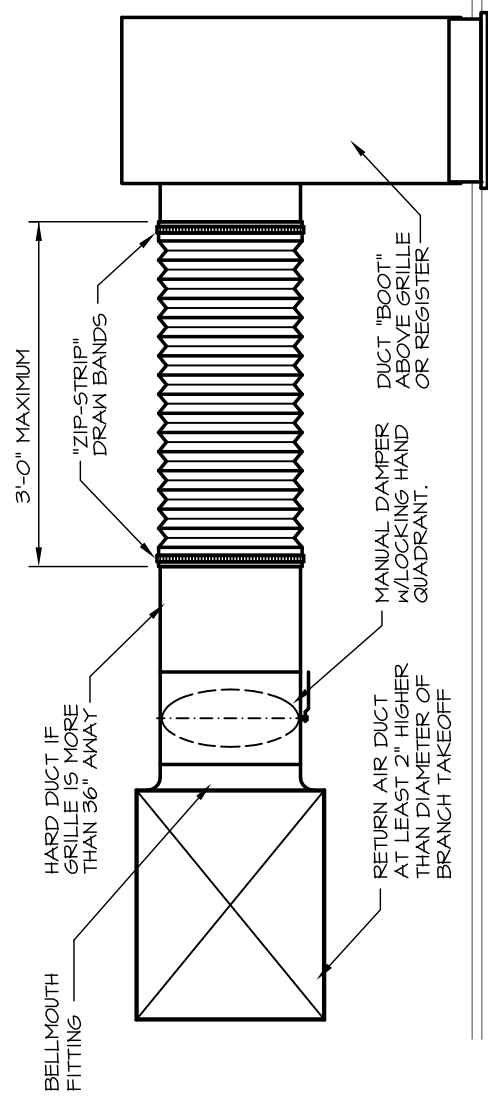
**3 UNACCEPTABLE DUCT FITTINGS**  
NO SCALE



**4 BRANCH DUCT CONNECTION**  
NO SCALE

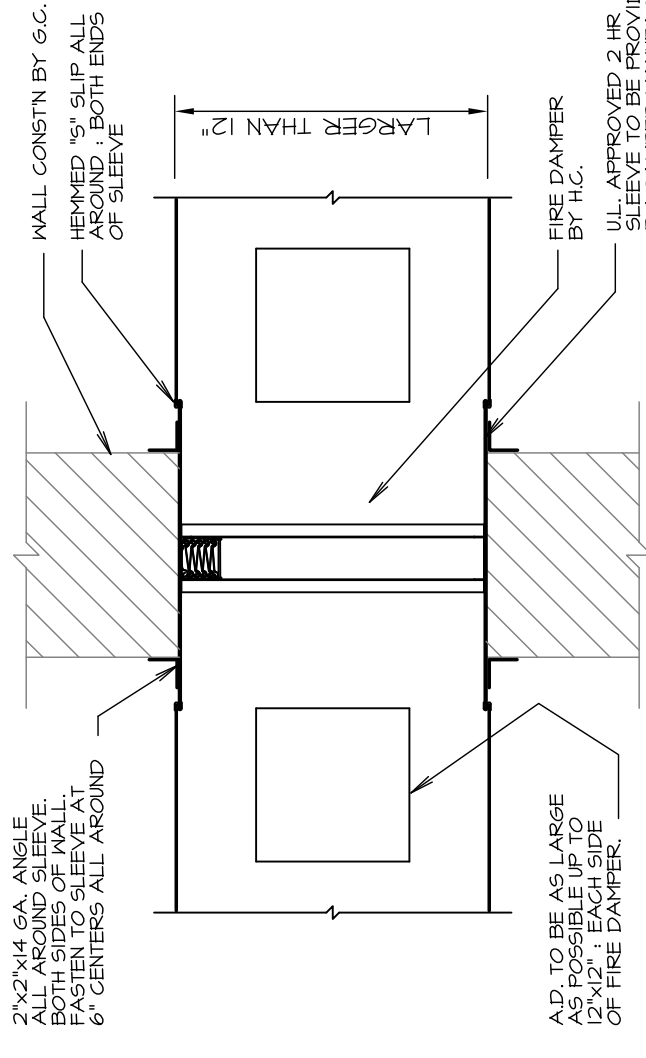


**9 COIL PIPING TO FAN POWERED VARIABLE AIR VOLUME UNIT**  
NO SCALE



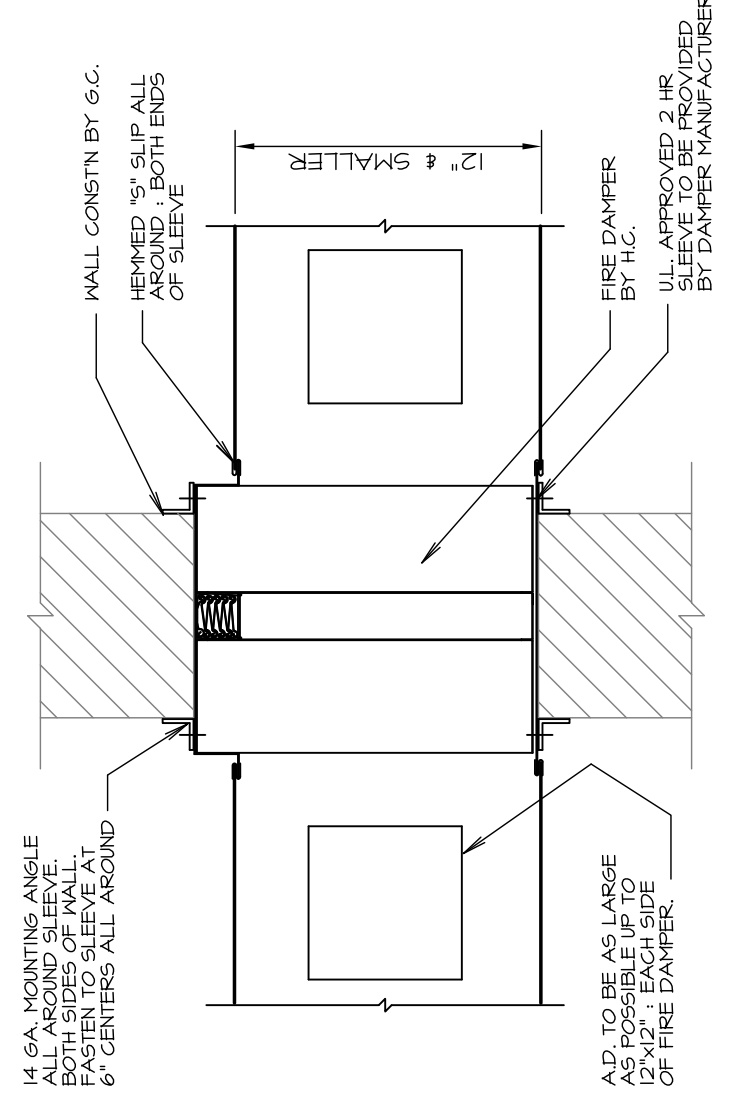
**7 PRIMARY AIR DUCT CONNECTION TO VAV UNITS**  
NO SCALE

**8 FLEXIBLE DUCT & RETURN REGISTER CONNECTION**  
NO SCALE



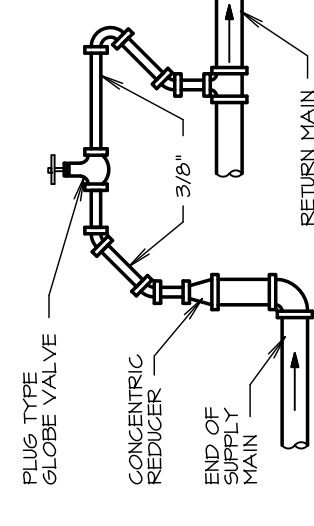
**10 WALL FIRE DAMPER STYLE 'A'**  
NO SCALE

THE FIRE DAMPERS ARE TO BE INSTALLED AS PART OF THE CORE BUILDING HVAC SYSTEM AND ARE NOT PART OF THIS CONTRACT - VERIFY PROPER DAMPER INSTALLATION BEFORE CONNECTION TO EXISTING DUCTWORK

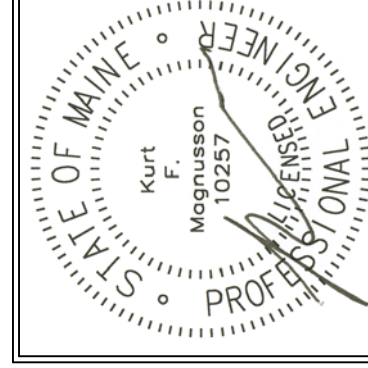


**11 WALL FIRE DAMPER STYLE 'B'**  
NO SCALE

THE FIRE DAMPERS ARE TO BE INSTALLED AS PART OF THE CORE BUILDING HVAC SYSTEM AND ARE NOT PART OF THIS CONTRACT - VERIFY PROPER DAMPER INSTALLATION BEFORE CONNECTION TO EXISTING DUCTWORK



**12 BYPASS VENT**  
NO SCALE



OWNER:  
ARCHITECTS  
48 Union Wharf, Portland, Maine 04101  
(207) 772-6022 Fax (207) 772-4056

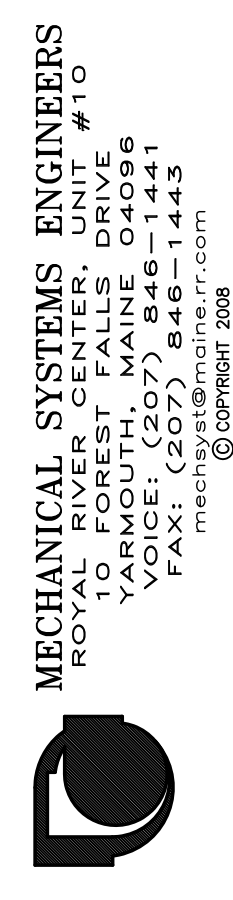
Project:  
**WINXNET  
TENANT FITUP**  
84 Marginal Way, Portland, Maine 04101

Date:  
30 APRIL 2008  
Scale:  
1/8" = 1'-0"

Revisions:  
14 MAY 2008 REVISED ZONING

MECHANICAL  
DETAILS  
Issued For Construction

M2



MECHANICAL SYSTEMS ENGINEERS  
ROYAL FOREST HILLS DRIVE #10  
YARMOUTH, MAINE 04096  
PHONE: (207) 848-1443  
FAX: (207) 848-1443  
mechsys@maine.ne.com  
© copyright 2008