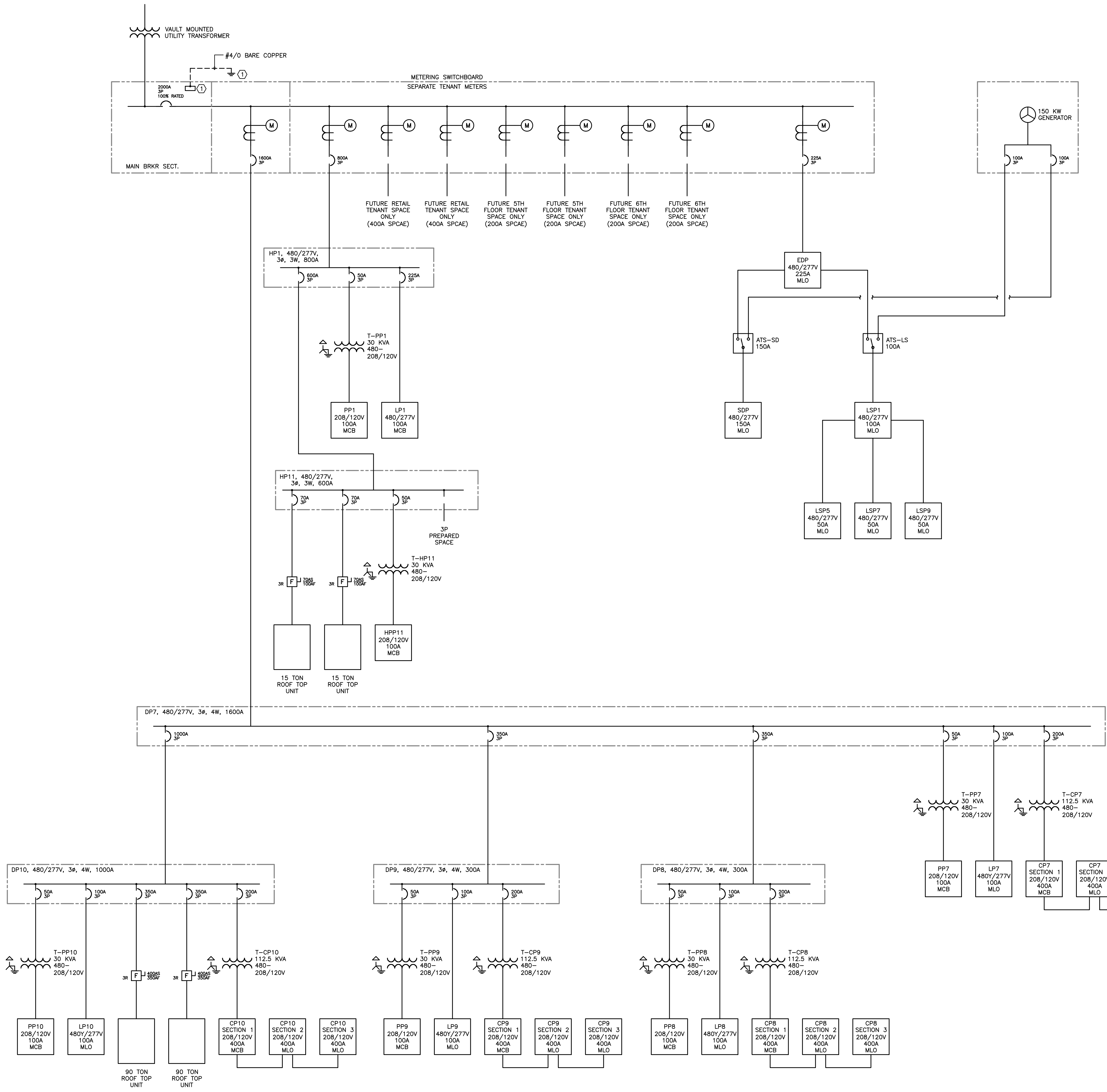


NOTE:
1. SEE SHEET E-001 FOR LEGEND AND GENERAL NOTES.

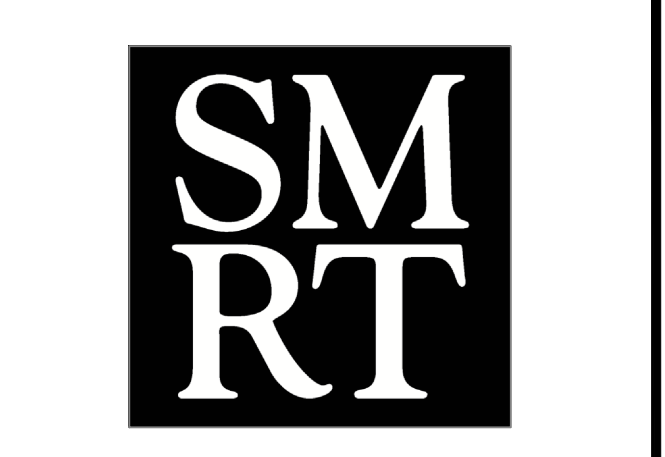
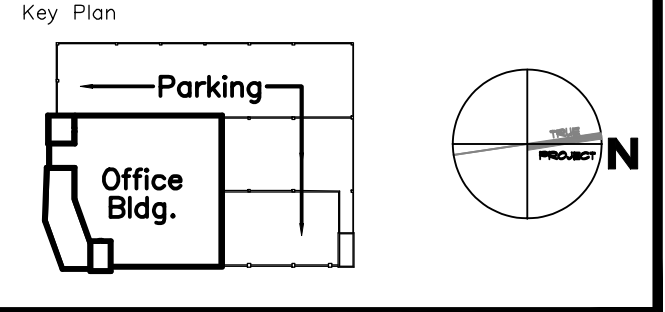
KEYED NOTE:
① BOND SWITCHBOARD TO WATER MAIN, MINIMUM OF FOUR GROUND RODS (20' APART) AND BUILDING STEEL.

CABLE SCHEDULE:
◇*



Project Title
84 MARGINAL WAY
Portland, Maine

HA Project No. **06196**



Mark	Date	Description
-	5-18-07	50% CONSTRUCTION DOCUMENTS
-	3-23-07	25% CONSTRUCTION DOCUMENTS

Drawing Status
50% CONSTRUCTION DOCUMENTS
(NOT FOR CONSTRUCTION)

Drawing Title
ONE-LINE DIAGRAM

PA / PE: DJT Drawn By: CDS

Drawing Number
EP651