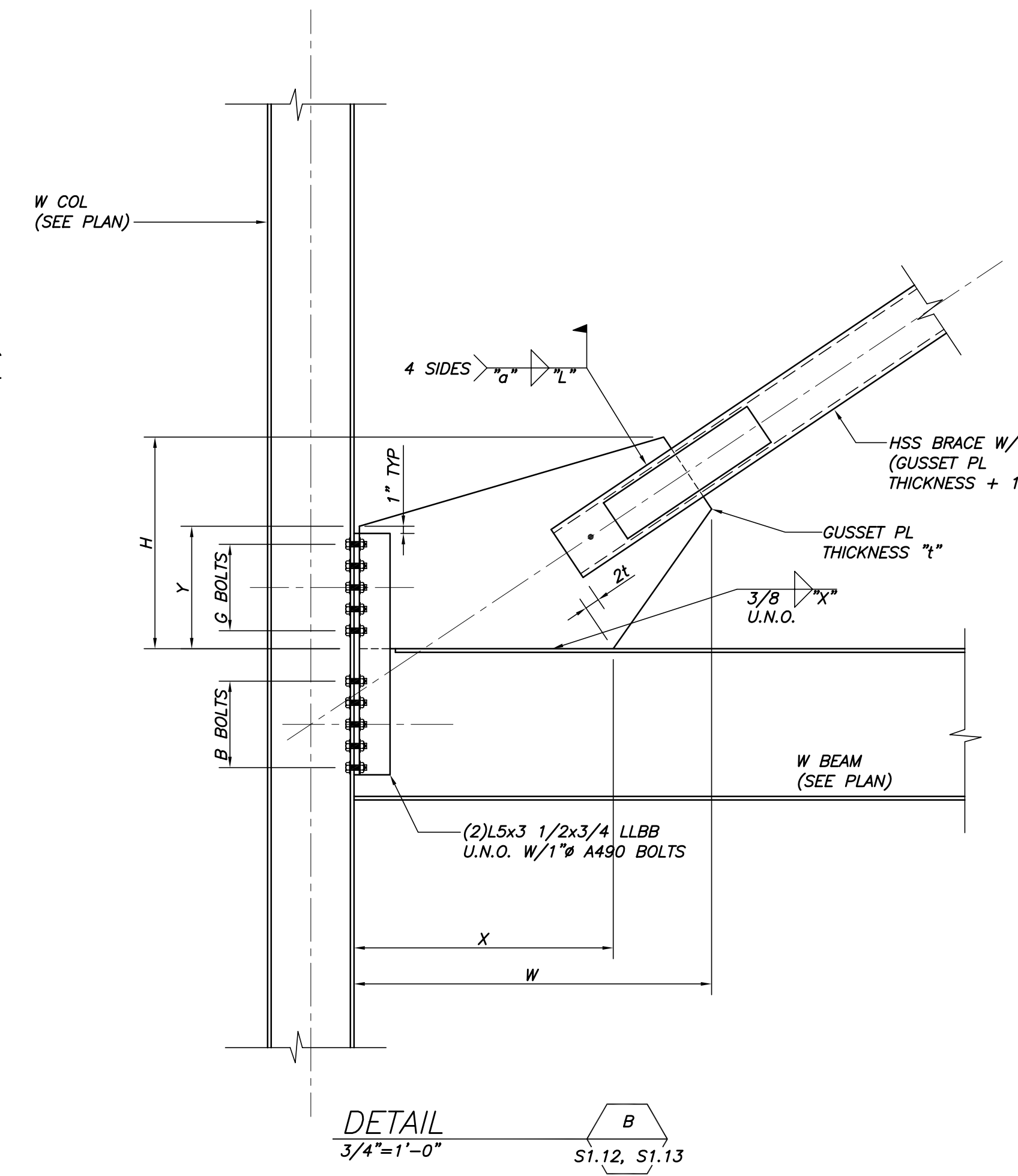
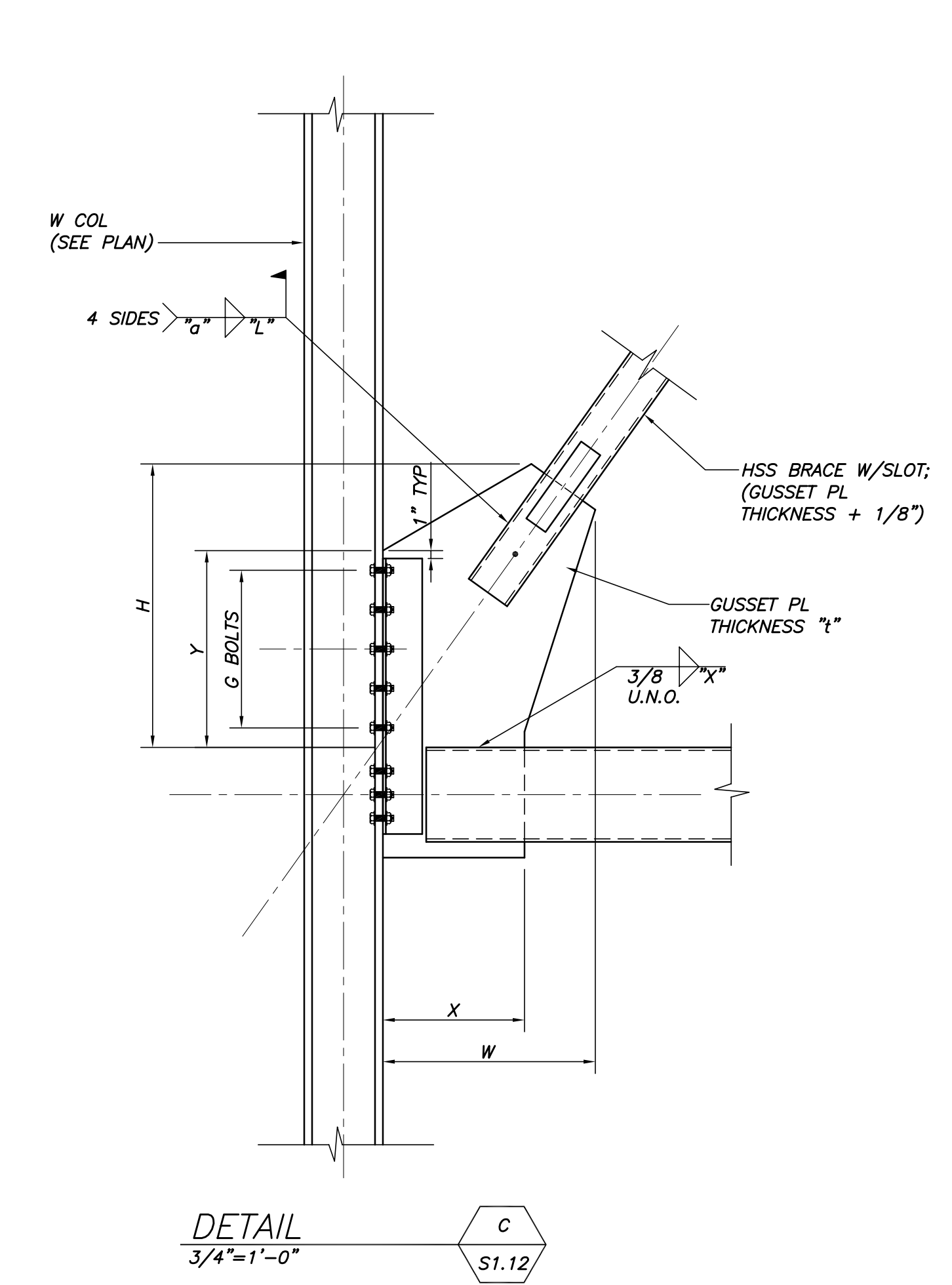


HSS SIDE PLATE SCHEDULE	
HSS BRACE	PL DIMENSIONS
HSS10x10x5/8	1/2x5x1'-8"
HSS8x8x5/8	1/2x4x1'-4"
HSS7x7x1/2	1/2x3 1/2x1'-2"
HSS6x6x1/2	1/2x3x1'-0"
HSS6x6x3/8	1/2x3x1'-0"
HSS5x5x1/6	1/2x2 1/2x0'-10"

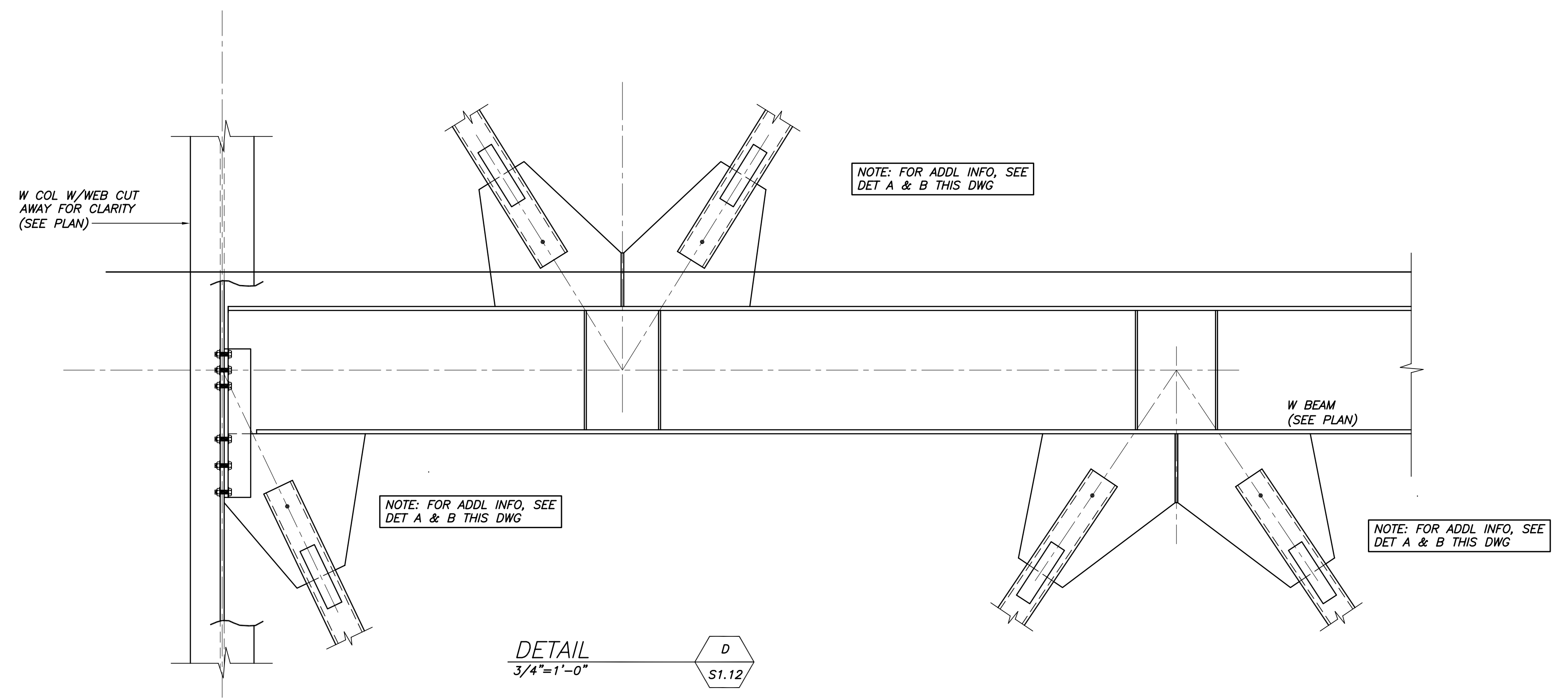
TYP CONN DETAIL AT HSS SIDE PLATES



DETAIL 3/4"=1'-0" S1.12, S1.13



DETAIL 3/4"=1'-0" S1.12



DETAIL 3/4"=1'-0" S1.12

BRACE TYPE	GUSSET					BRACE		G - BOLTS		B - BOLTS		ANGLE TYPE
	X (in)	Y (in)	t (in)	W (in)	H (in)	a (in)	L (in)	#	S (in)	#	S (in)	
BF-1/BF-2	20.5	13.0	1.00	22 1/8	29 1/8	3/8	18	3	5.0	3	3.0	5x3 1/2x3/4x2'-4"
	17.5	10.0	1.00	20 1/2	11 1/2	5/16	16.5	3	3.0	3	3.0	5x3 1/2x3/4x2'-2"
BF-3	12.5	25.0	1.00	26 7/8	34	5/16	16.5	5	5.0	4	3.0	5x3 1/2x3/4x2'-11"
	12.5	12.5	1.00	19 1/2	24 1/2	1/4	15	4	3.0	3	3.0	5x3 1/2x3/4x2'-1 1/2"
BF-4	35.0	20.5	1.00	44 1/2	33 1/8	9/16	20	5	3.0	5	3.0	5x3 1/2x3/4x2'-9 1/2" ⁽¹⁾
	23.5	22.5	1.00	37 3/4	27 3/4	3/8	21	5	3.0	4	3.0	5x3 1/2x3/4x2'-8"
	20.5	20.5	1.00	33 1/4	24 1/8	3/8	18	5	3.0	3	3.0	5x3 1/2x3/4x2'-2 1/2"
BF-5	35.5	17.0	1.00	48 3/8	34 1/8	9/16	20	5	3.0	5	3.0	5x3 1/2x3/4x2'-11"
BF-6	40.0 ⁽¹⁾	17.0	1.25	62	38 1/2	9/16	26	5	3.5	5	3.5	5x3 1/2x3/4x2'-8" ⁽¹⁾
	37.5 ⁽¹⁾	12.0	1.00	55 5/8	30 1/2	9/16	20	4	3.0	3	3.0	5x3 1/2x3/4x2'-1"
BF-7	42.0	17.0	1.00	50 1/2	38 7/8	9/16	20	4	4.0	4	3.0	5x3 1/2x3/4x2'-6 1/2"
	31.0	20.5	1.00	49 5/8	30 5/8	3/8	25	4	4.0	4	3.0	5x3 1/2x3/4x2'-8"
	28.0	18.5	1.00	44	26 1/2	3/8	21	4	4.0	3	3.0	5x3 1/2x3/4x2'-6"
BF-8	13.0	13.0	1.00	30 1/2	36	3/8	18	6	4.0	5	3.0	5x3 1/2x3/4x3'-5 1/2"
	13.0	10.0	1.00	19 3/8	22 1/4	1/4	15	3	3.0	3	3.0	5x5x3/4x1'-9"
BF-9	39.0 ⁽¹⁾	20.5	1.25	57 1/8	34 7/8	9/16	26	5	4.0	5	4.0	5x3 1/2x3/4x3'-0 1/2" ⁽¹⁾
	37.5	25.0	1.00	50 5/8	30	9/16	20	5	4.0	5	3.0	5x3 1/2x3/4x3'-0"
	28.0	9.5	1.00	44 1/2	29 5/8	3/8	21	3	3.0	3	3.0	5x3 1/2x3/4x2'-0"
BF-10	36.0	17.0	1.00	49 1/2	29 3/8	9/16	20	5	3.0	5	3.0	5x3 1/2x3/4x2'-9 1/2" ⁽¹⁾
	31.5	13.5	1.00	50 5/8	30	3/8	25	4	3.0	4	3.0	5x3 1/2x3/4x2'-5"
	28.0	10.0	1.00	44 1/2	25 3/4	3/8	21	3	3.0	3	3.0	5x3 1/2x3/4x2'-0"
BF-11	16.0	20.0	1.00	19	29 1/8	9/16	10	5	4.0	3	3.0	5x3 1/2x3/4x2'-9 1/2"
BF-12	29.5	20.0	1.00	48	30 1/8	3/8	21	4	5.0	3	3.0	5x3 1/2x3/4x2'-8"
	24.0	12.0	1.00	40 3/4	24 1/4	5/16	16.5	3	3.0	3	3.0	5x3 1/2x3/4x1'-11"
	24.0	12.0	1.00	39 1/4	23	1/4	15	3	3.0	3	3.0	5x3 1/2x3/4x1'-11"

(1) WELD SIZE = 7/16", ALL OTHER SIZE 3/8"
(2) GRADE 50 ANGLE

Mark	Date	Description
-	07.30.07	100% SUPERSTRUCTURE SET
-	07.23.07	REVIEW SET
-	06.11.07	ISSUED FOR P2/P3/P4 STEEL DETAILING
-	03.16.07	100% SUPERSTRUCTURE SET

Drawing Status
100% SUPERSTRUCTURE SET

Drawing Title
FRAMING SECTIONS AND DETAILS

PA / PE: EAR Drawn By: APP
Drawing Number

S3.7