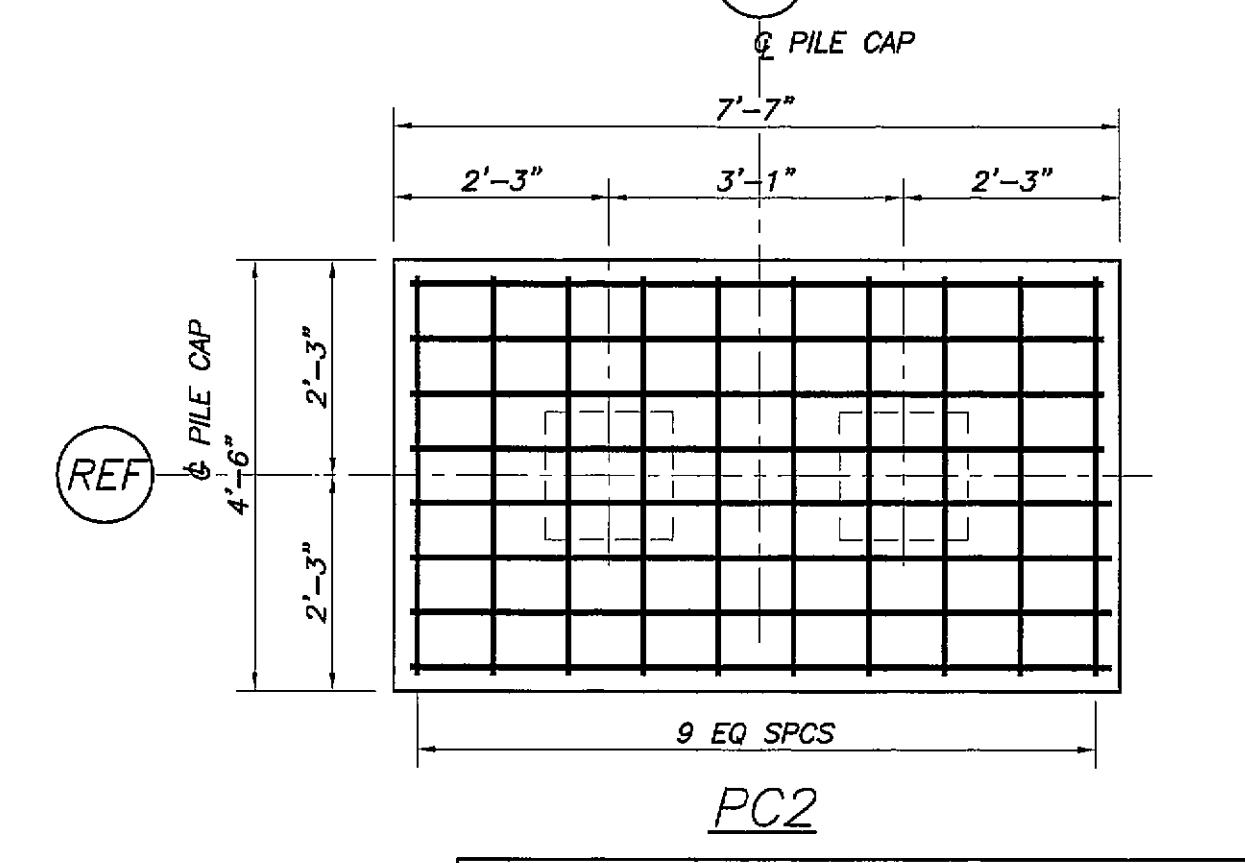
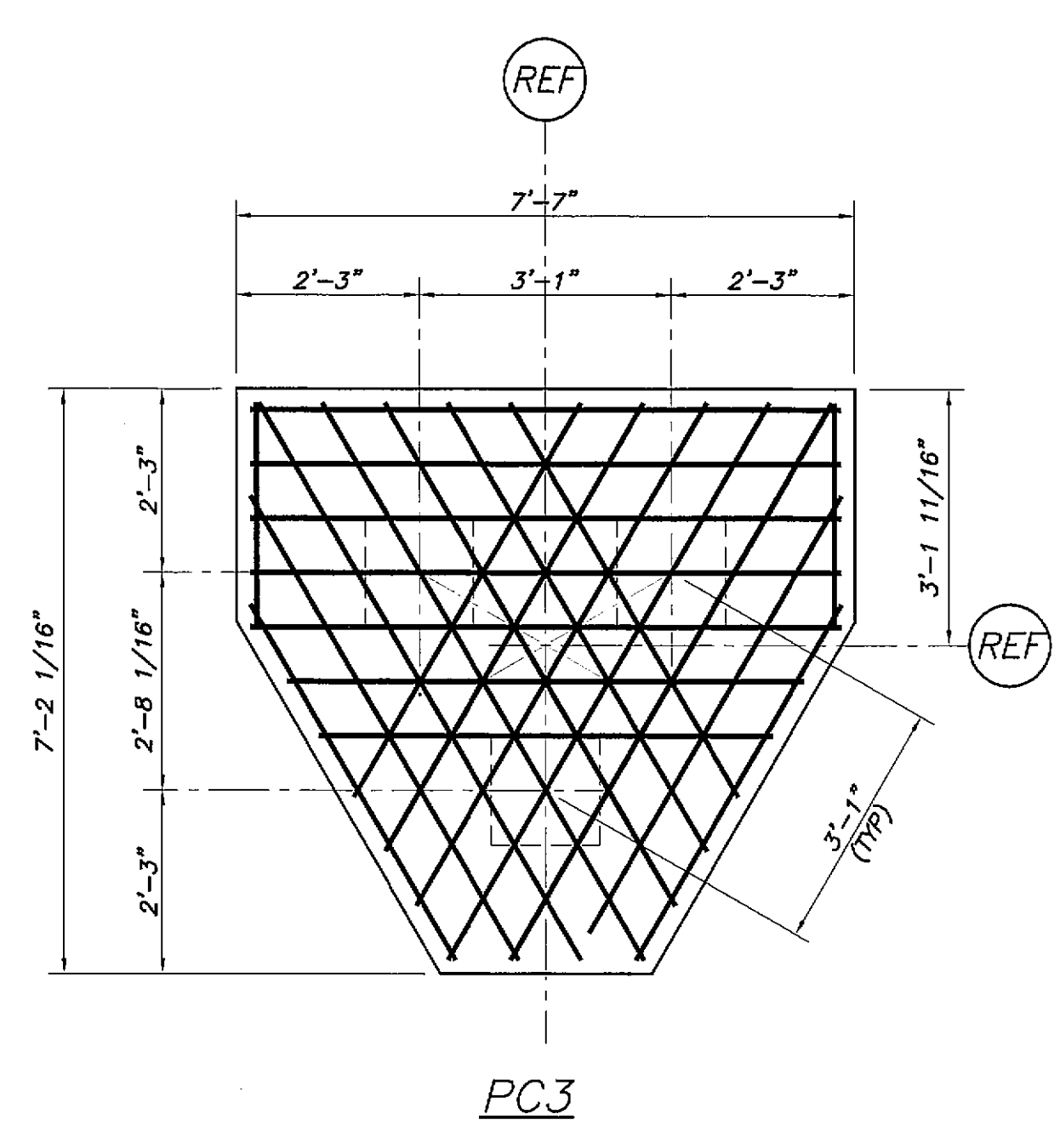


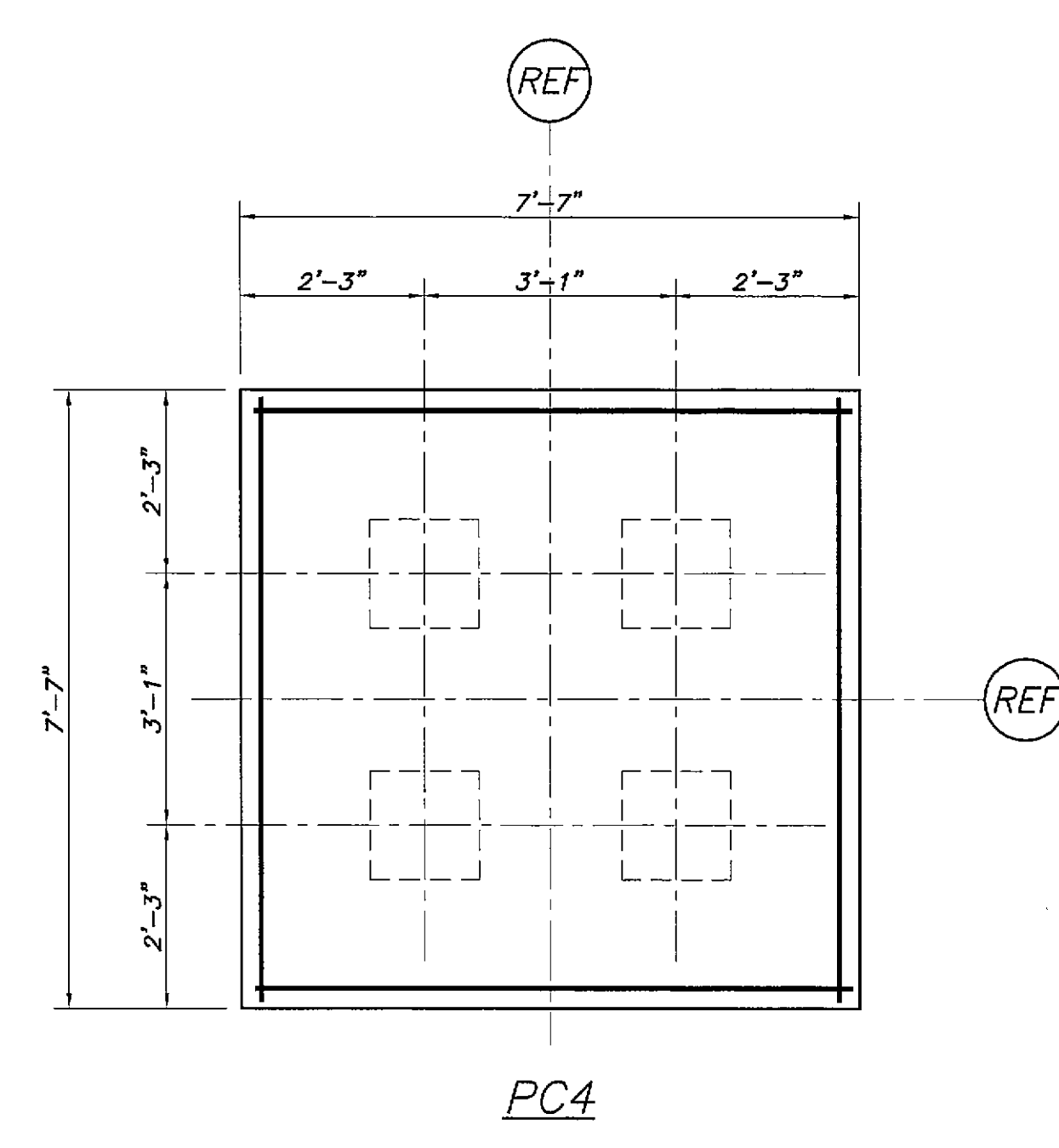
ADDL REINF AT PC2



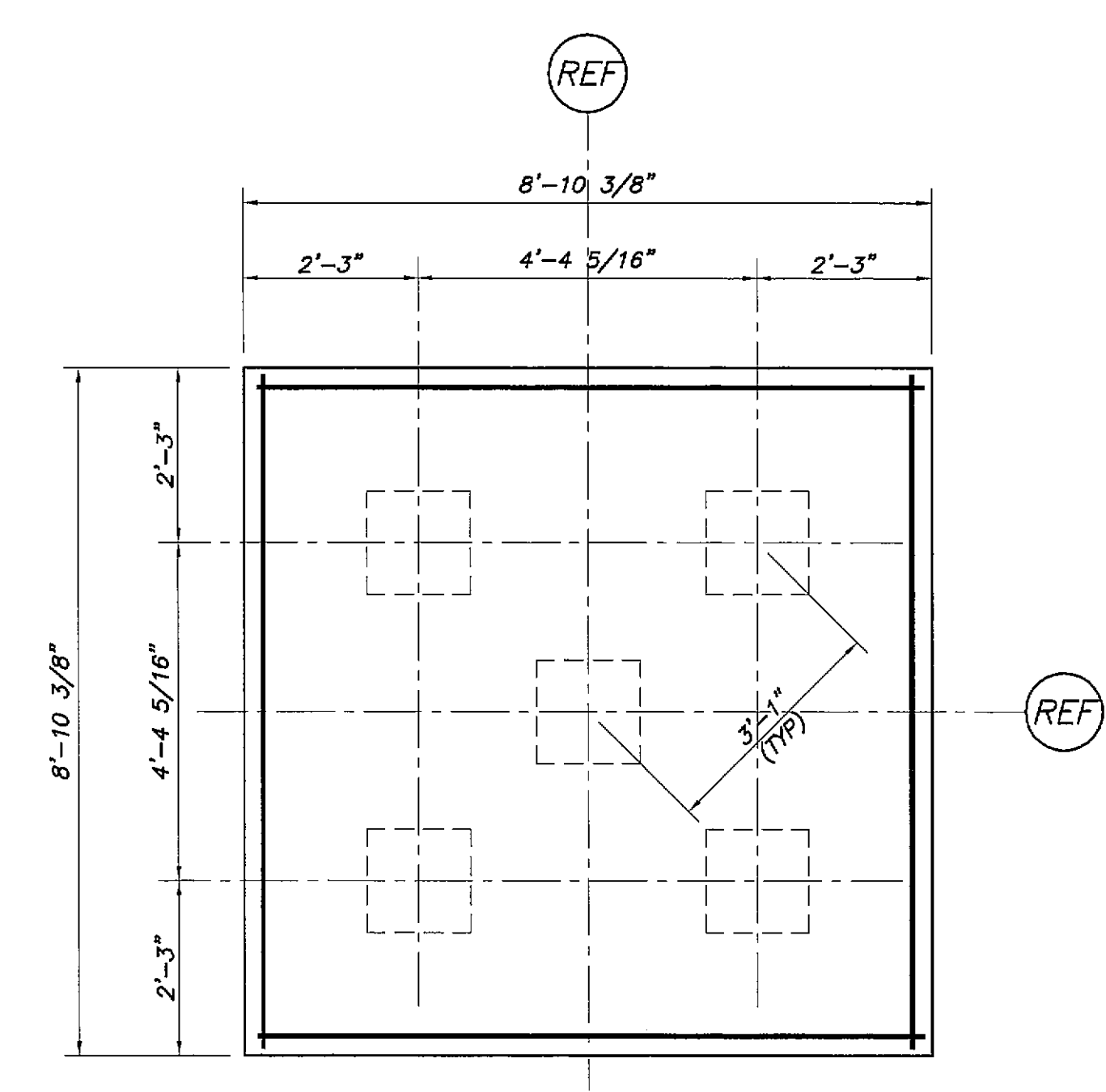
DEPTH = 4'-0"
BOTTOM REINF: 8#6 L.W. W/STD 180° HOOKS (SHOWN)
TOP REINF: 5#6 L.W.



DEPTH = 4'-0"
BOTTOM REINF: 7#6 (3 WAYS W/STD 180° HOOKS)



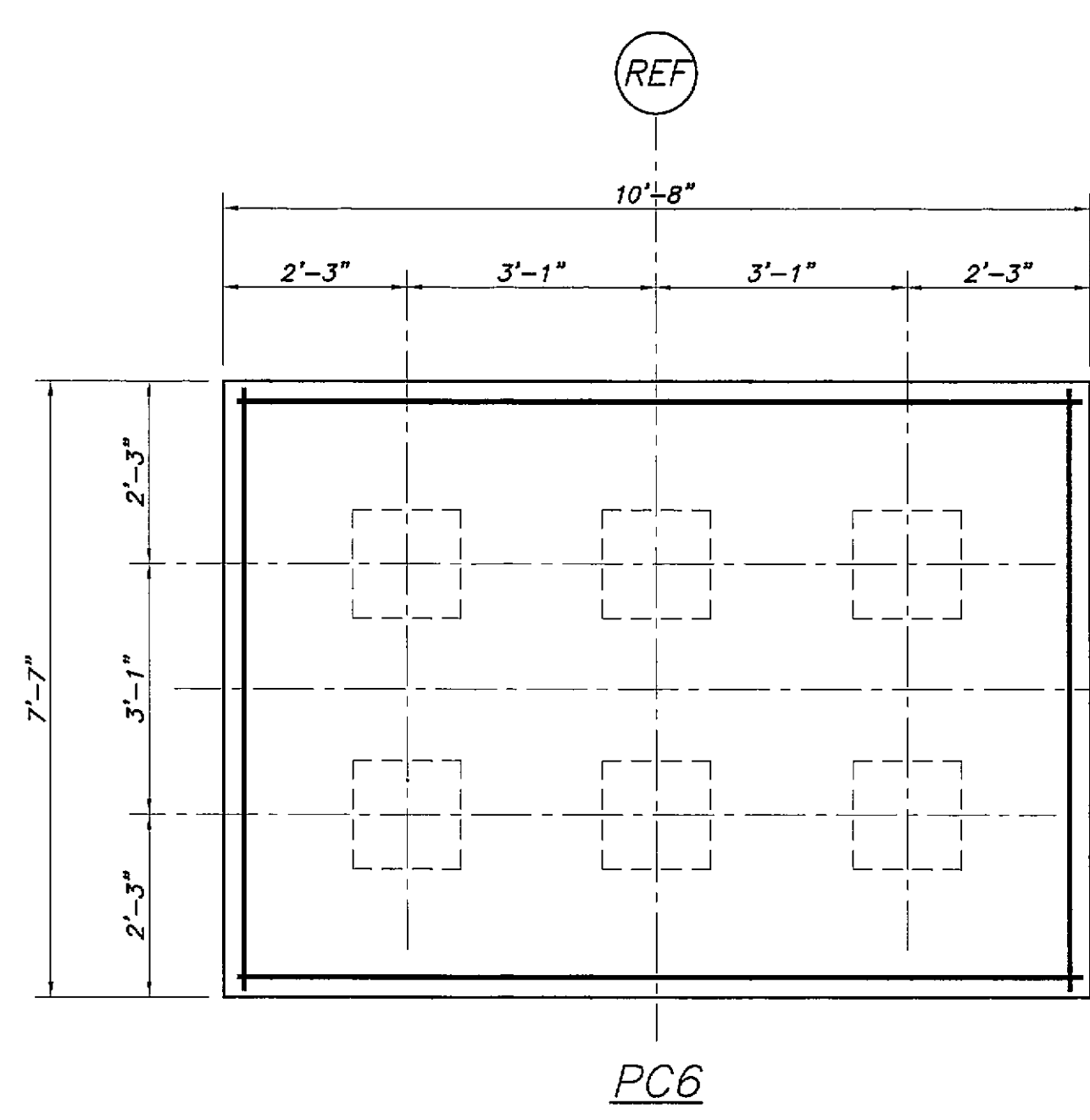
DEPTH = 4'-0"
BOTTOM REINF: 11#8 E.W. W/STD 180° HOOKS



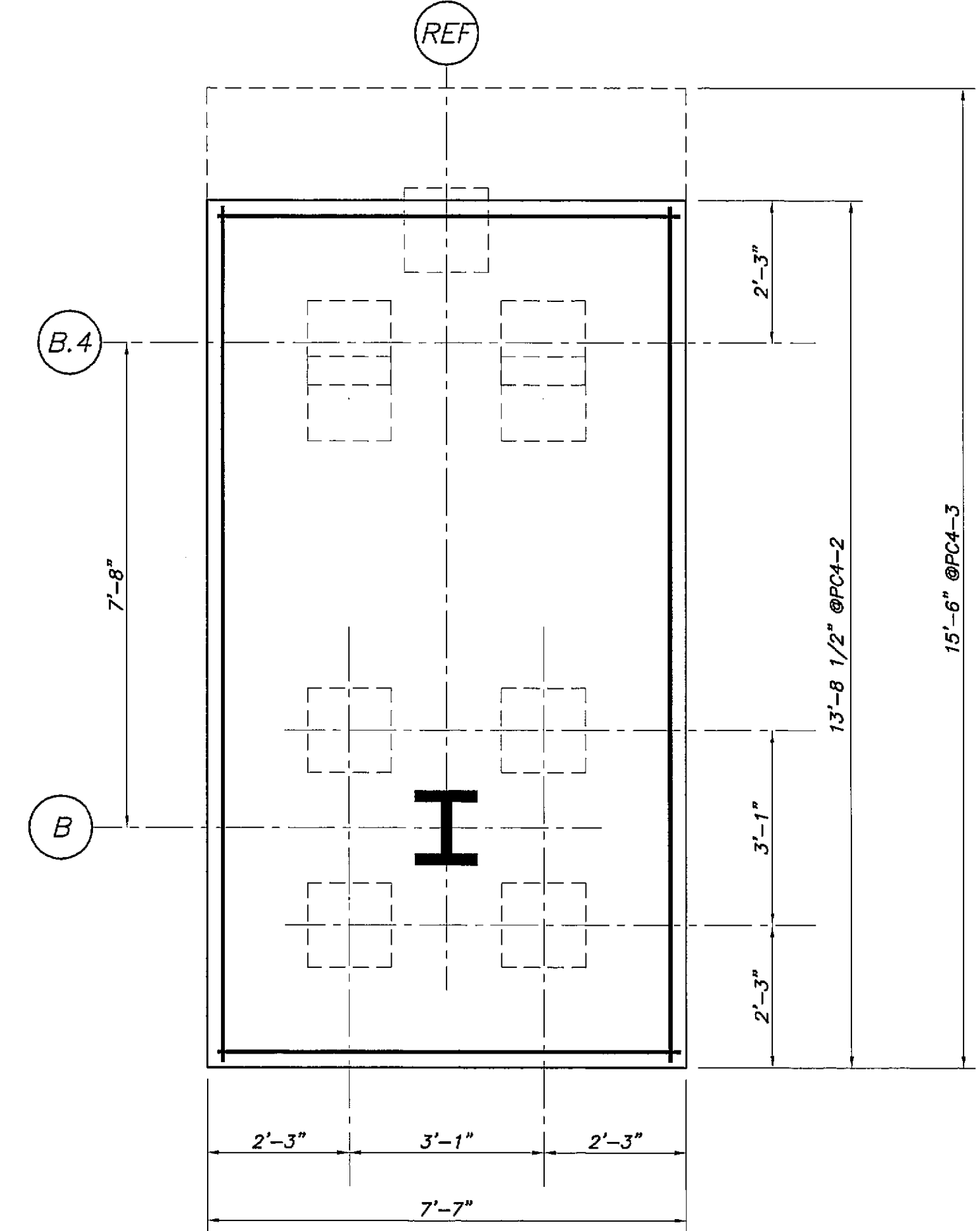
DEPTH = 4'-0"
BOTTOM REINF: 15#8 E.W. W/STD 180° HOOKS

TYP PILE CAP DETAILS

- NOTES:
1. PILES SHALL BE 250 KIP (125 TON) NET CAPACITY PILES.
2. ALL PILE REINF SHALL BE BOT U.N.O.



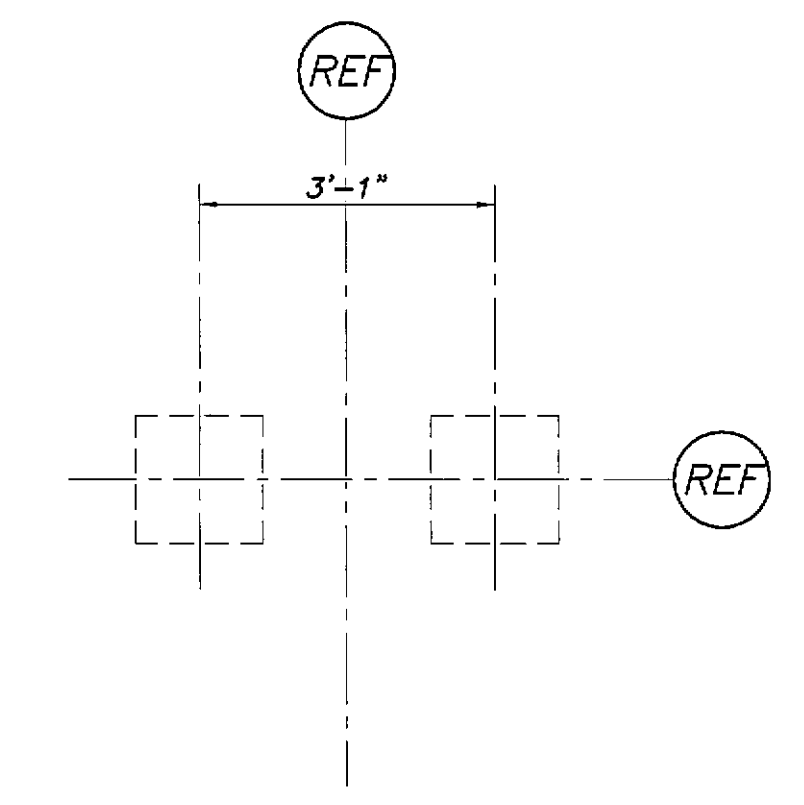
DEPTH = 4'-6"
BOTTOM REINF: 13#9 E.W. W/STD 180° HOOKS



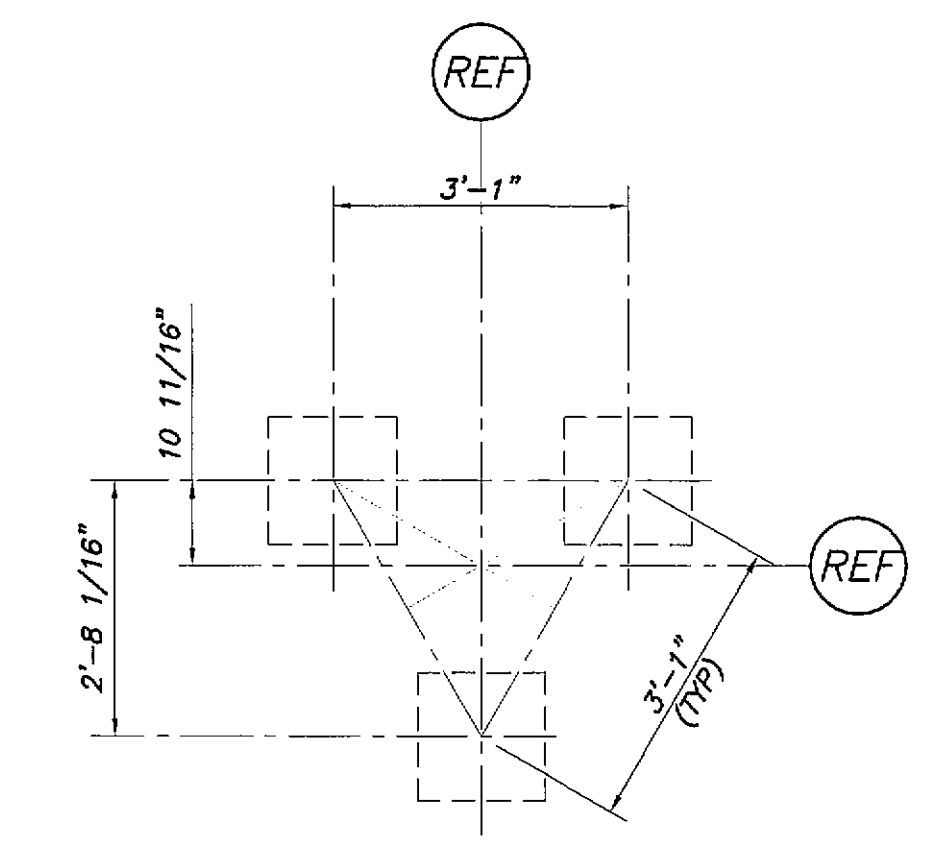
DEPTH = 4'-0"
BOTTOM REINF: 11#8 L.W. W/STD 180° HOOKS
16#8 S.W. W/STD 180° HOOKS

PC4-3 (SIM)

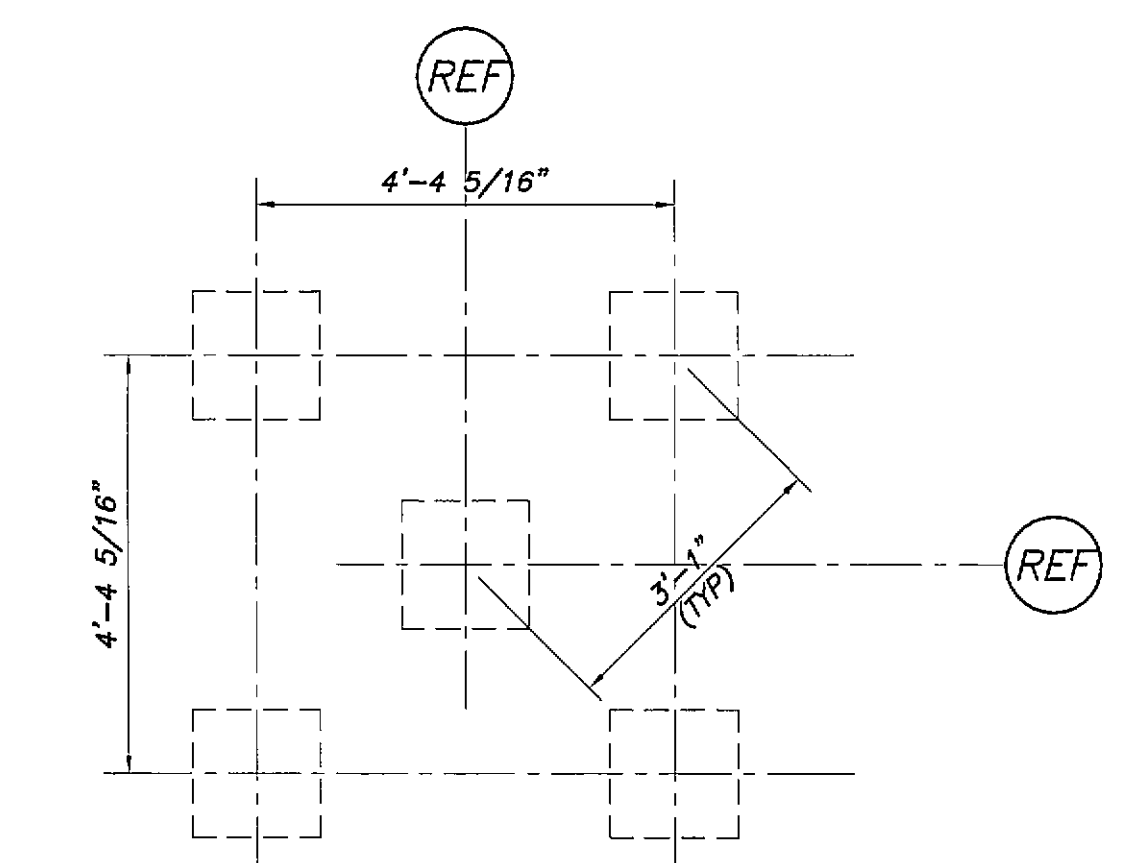
DEPTH = 4'-0"
BOTTOM REINF: 11#8 L.W. W/STD 180° HOOKS
21#8 S.W. W/STD 180° HOOKS



CONCRETE DEPTH AT PILE GROUP = 4'-0"



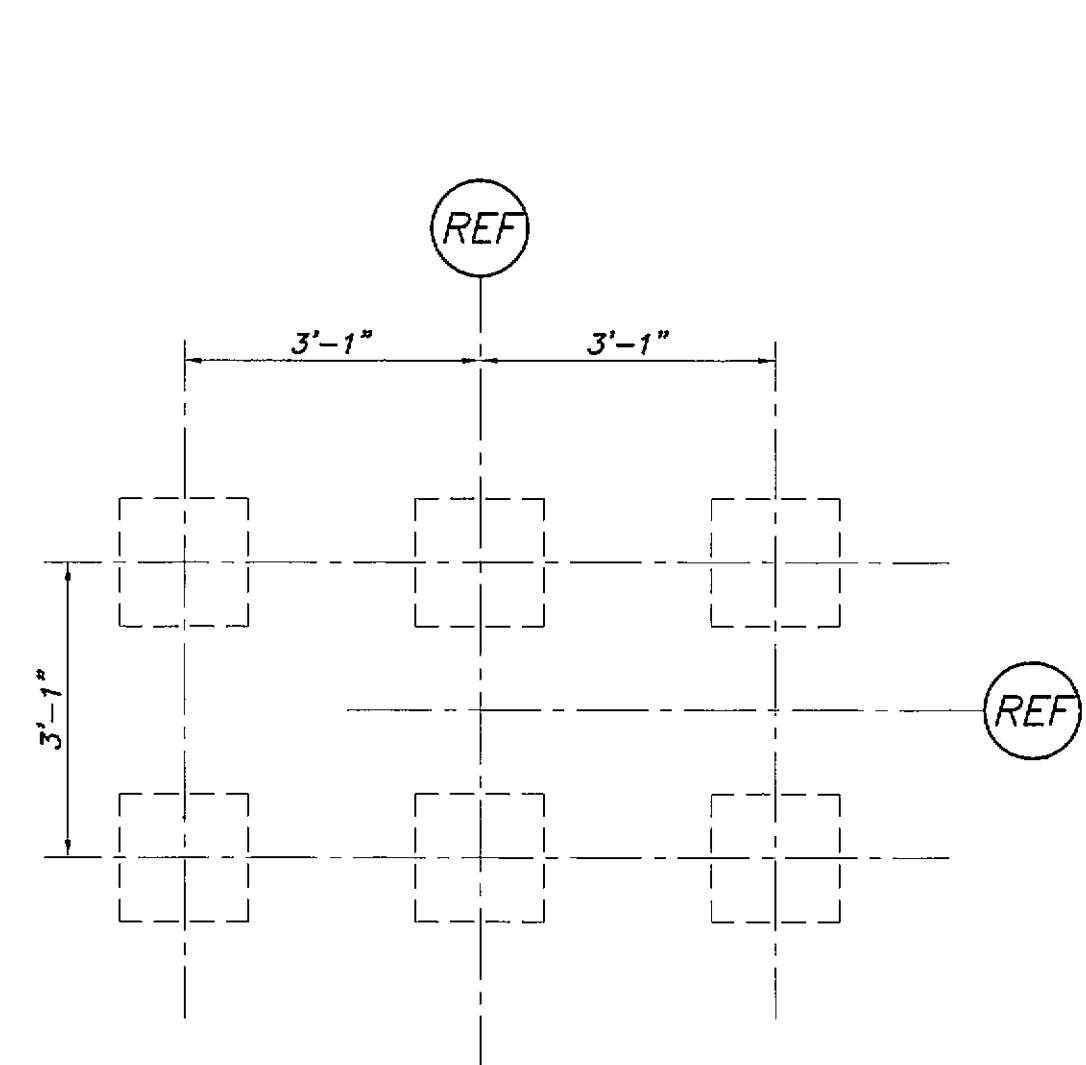
CONCRETE DEPTH AT PILE GROUP = 4'-0"



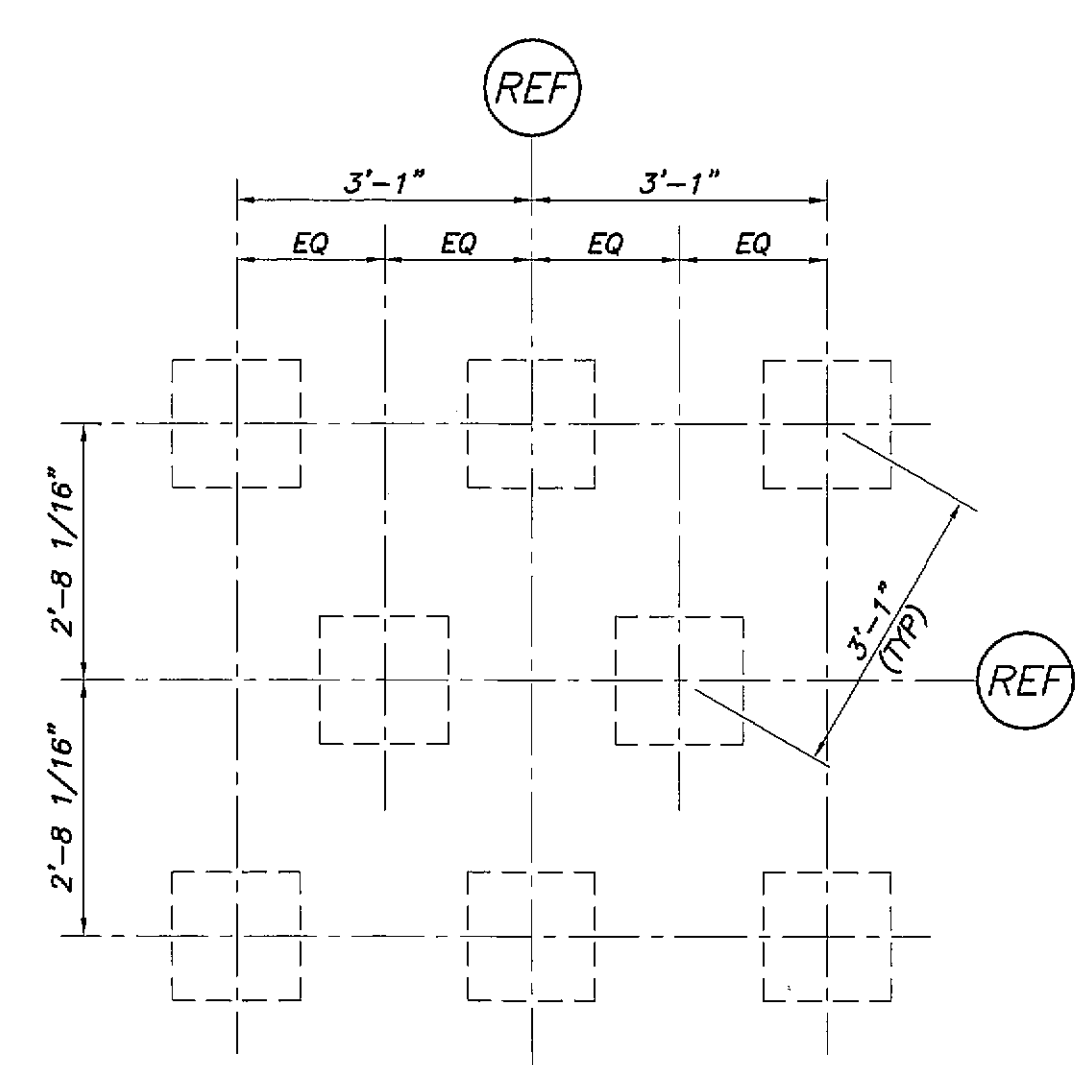
CONCRETE DEPTH AT PILE GROUP = 4'-0"

TYP PILE GROUP DETAILS

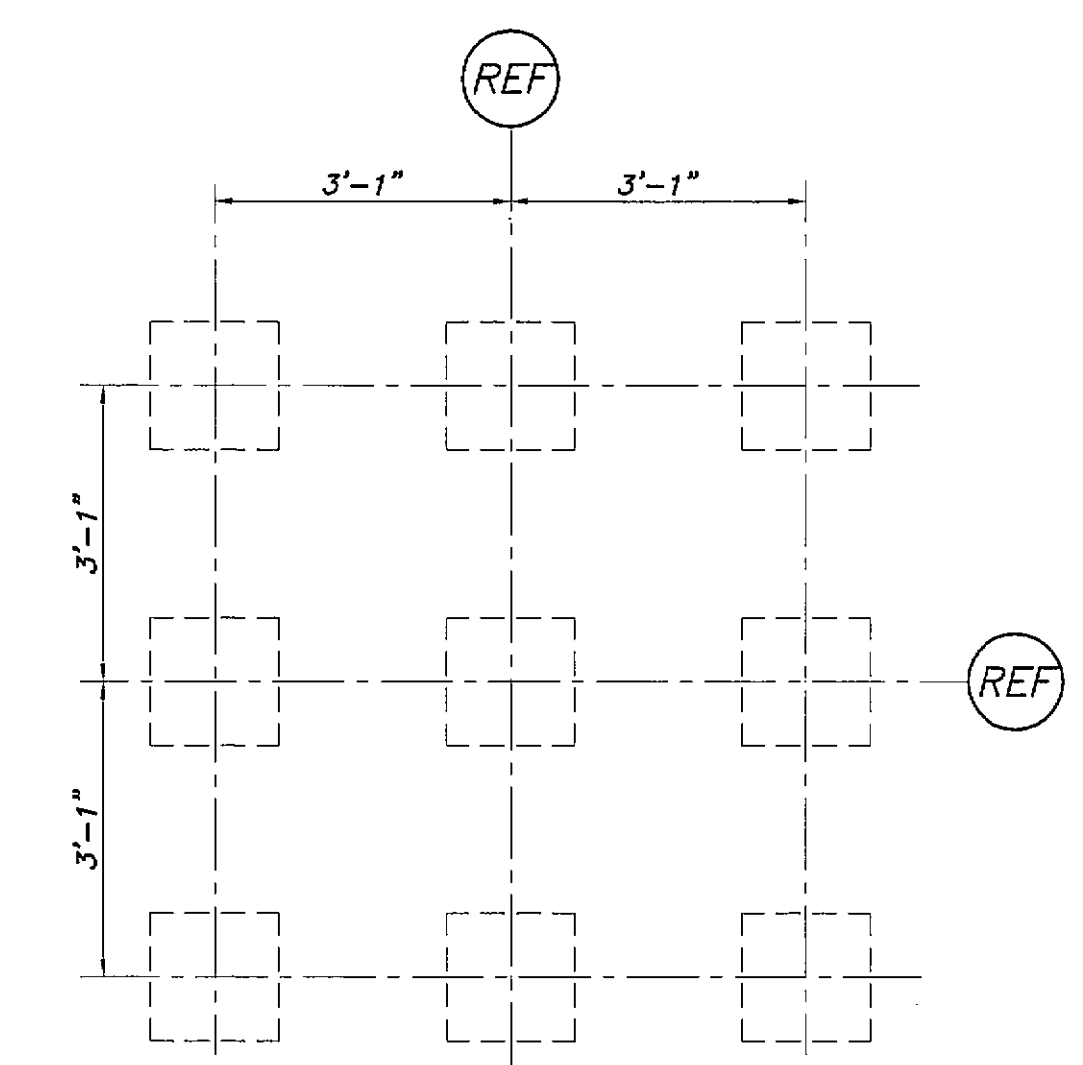
- NOTES:
1. PILES SHALL BE 250 KIP (125 TON) NET CAPACITY PILES.
2. SEE SECTIONS, DETAILS & STRIP FTG SCHEDULE FOR ADDL INFO.



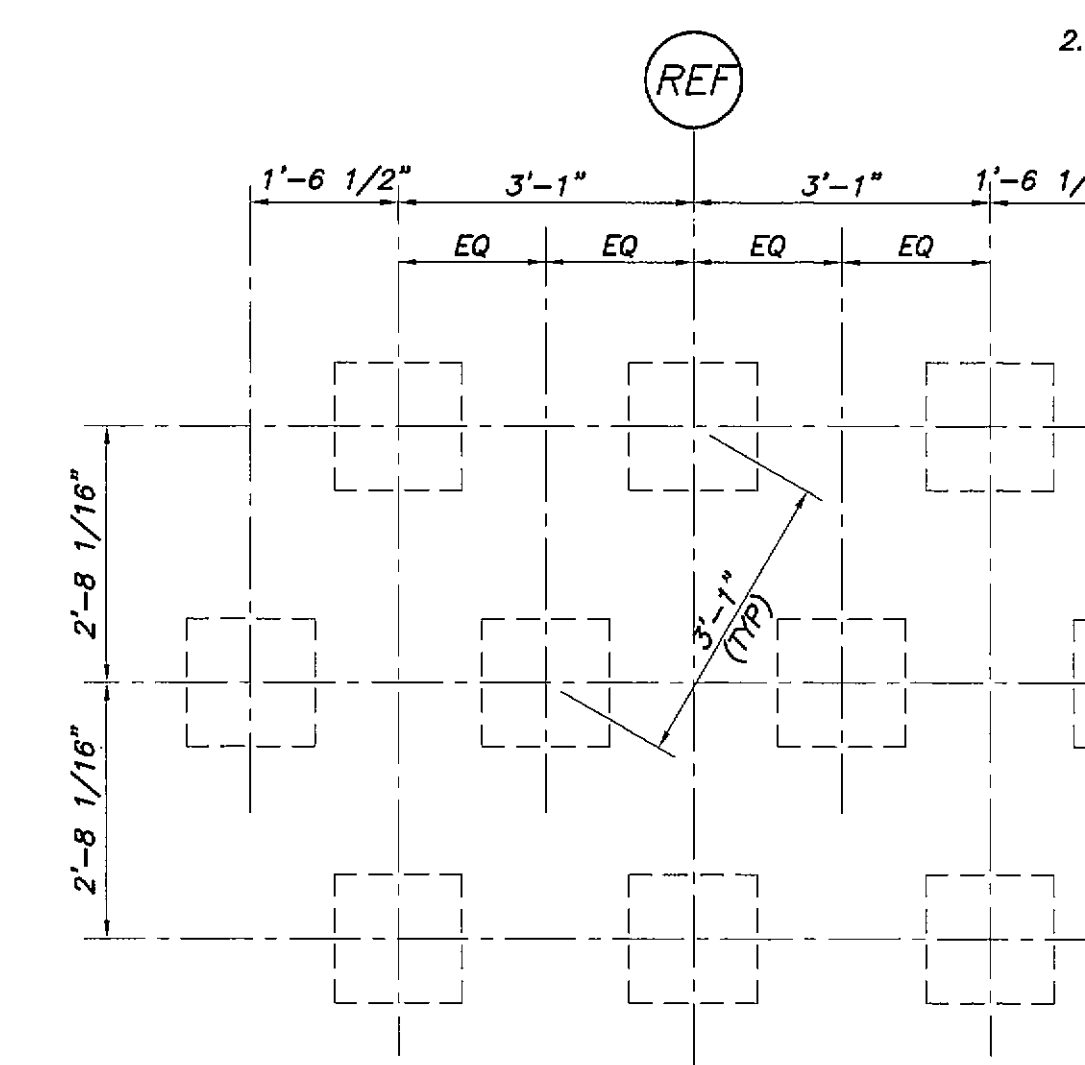
CONCRETE DEPTH AT PILE GROUP = 5'-0"



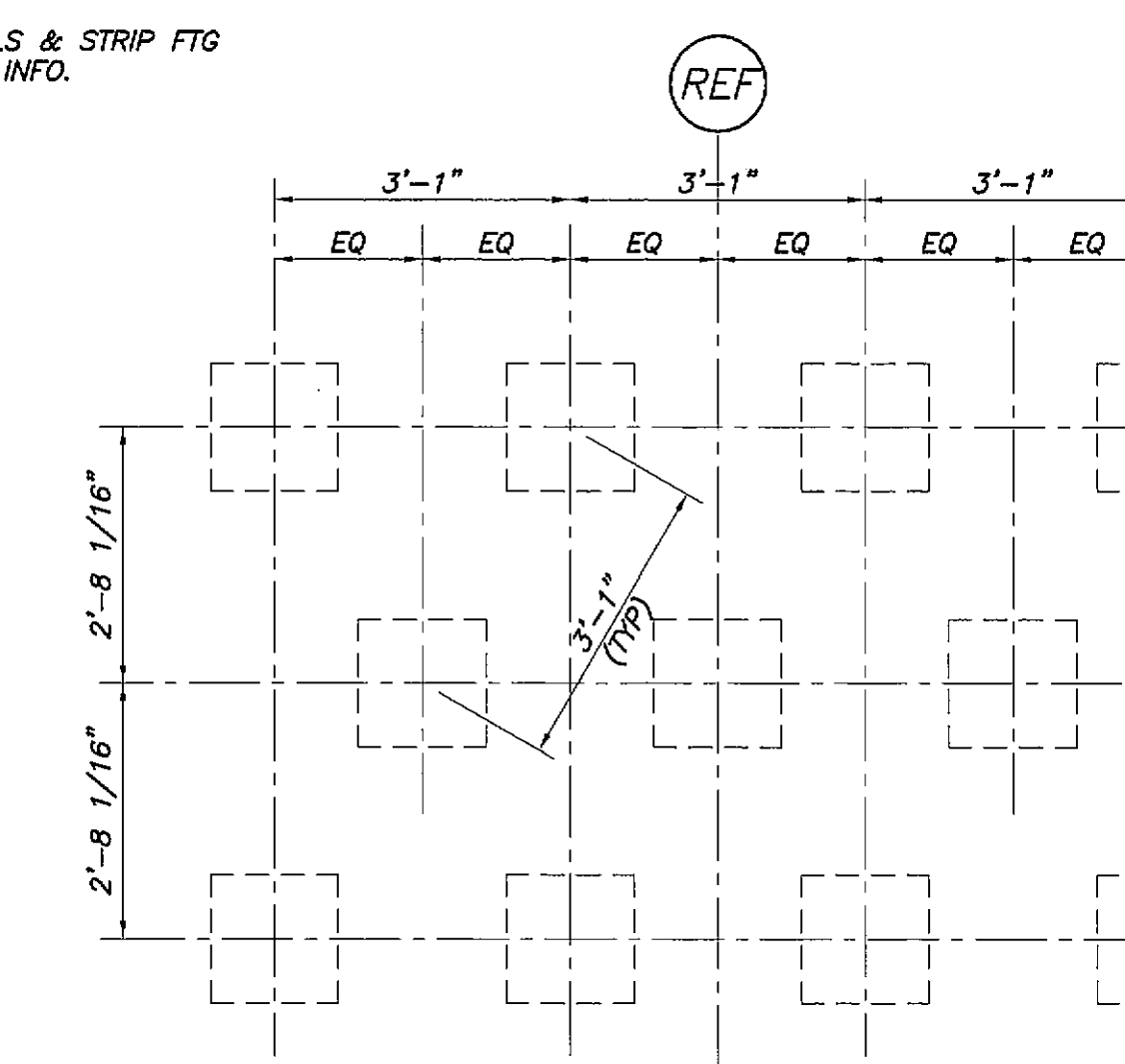
CONCRETE DEPTH AT PILE GROUP = 5'-0"



CONCRETE DEPTH AT PILE GROUP = 5'-0"



CONCRETE DEPTH AT PILE GROUP = 5'-0"



CONCRETE DEPTH AT PILE GROUP = 5'-0"

| Issue | Date | Description |
|-------|----------|-------------------------|
| - | 05.21.07 | 100% FOUNDATION SET |
| - | 03.16.07 | 95% REVIEW DOCUMENT SET |
| - | 02.28.07 | FOUNDATION PERMIT SET |
| Work | Date | Description |
| Issue | Date | Description |

Drawing Status
100% FOUNDATION SET

Drawing Title
PILE CAP AND PILE GROUP DETAILS
PA / PE: EAR
Drawn By: APP

Drawing Number
S2.6