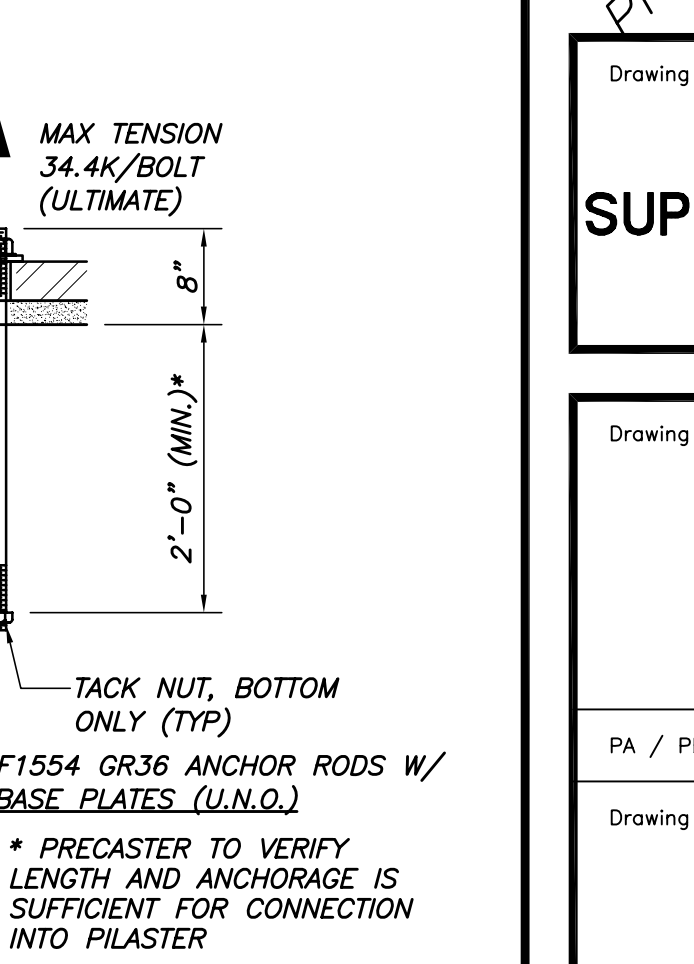
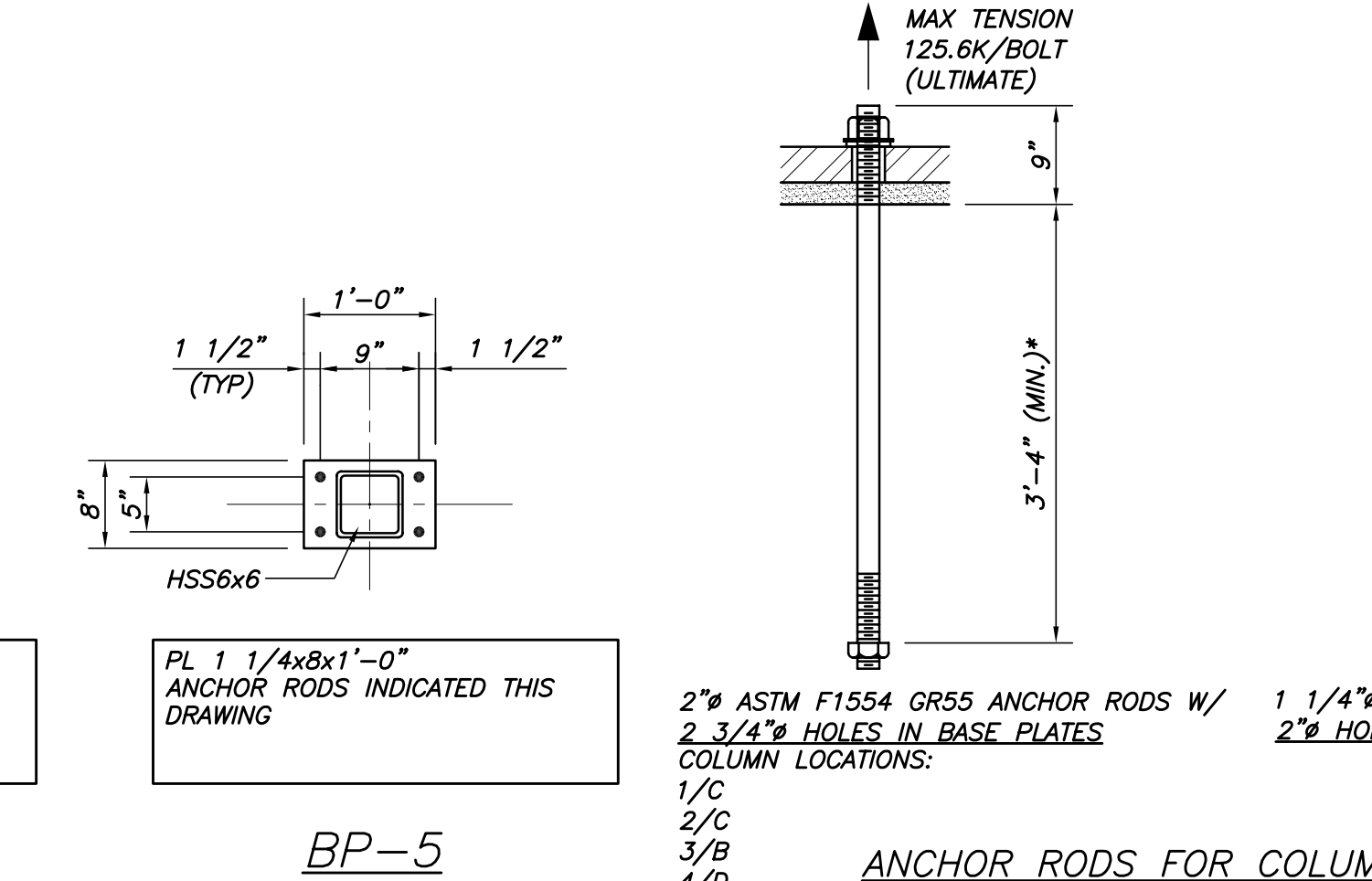
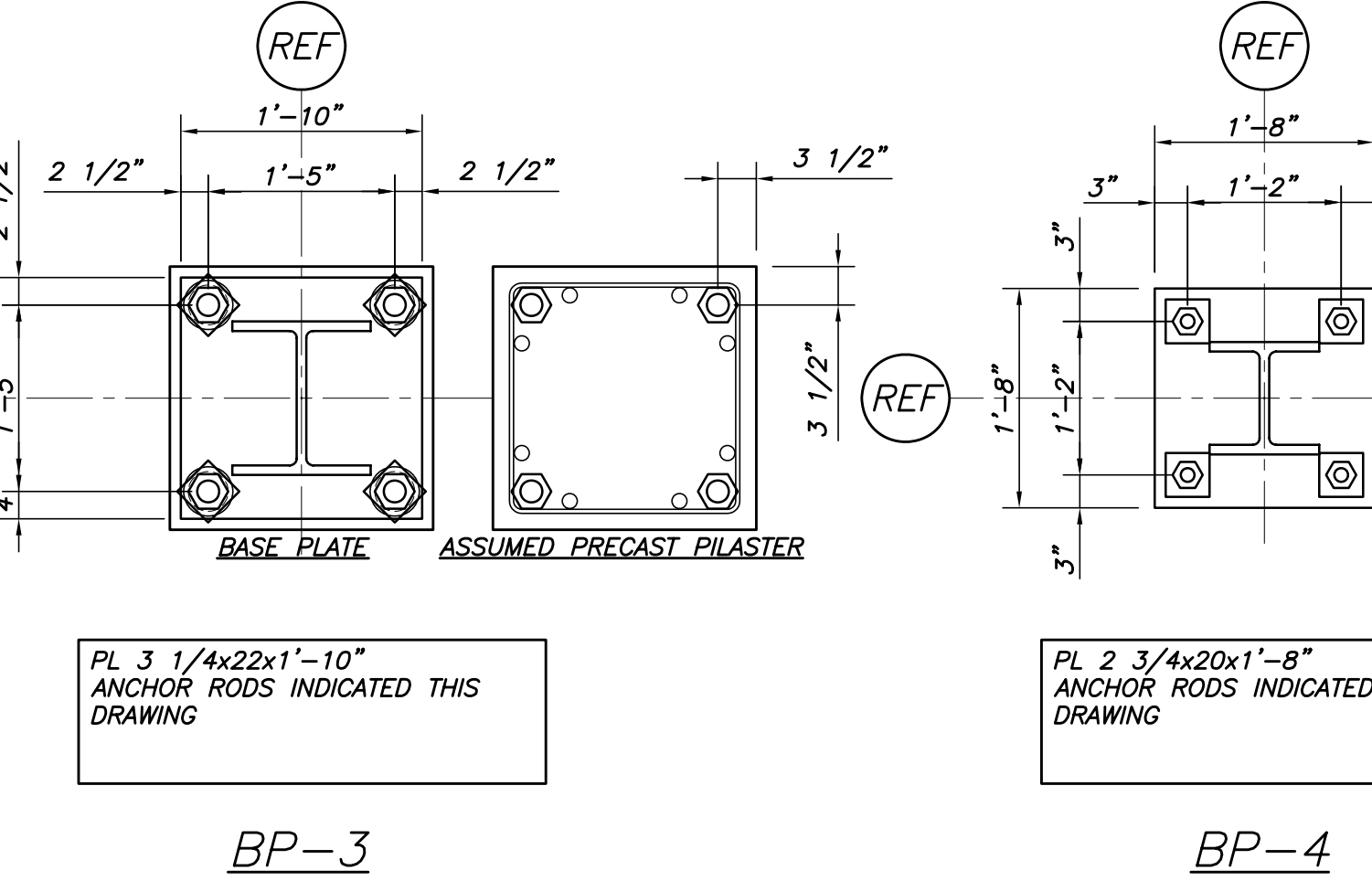
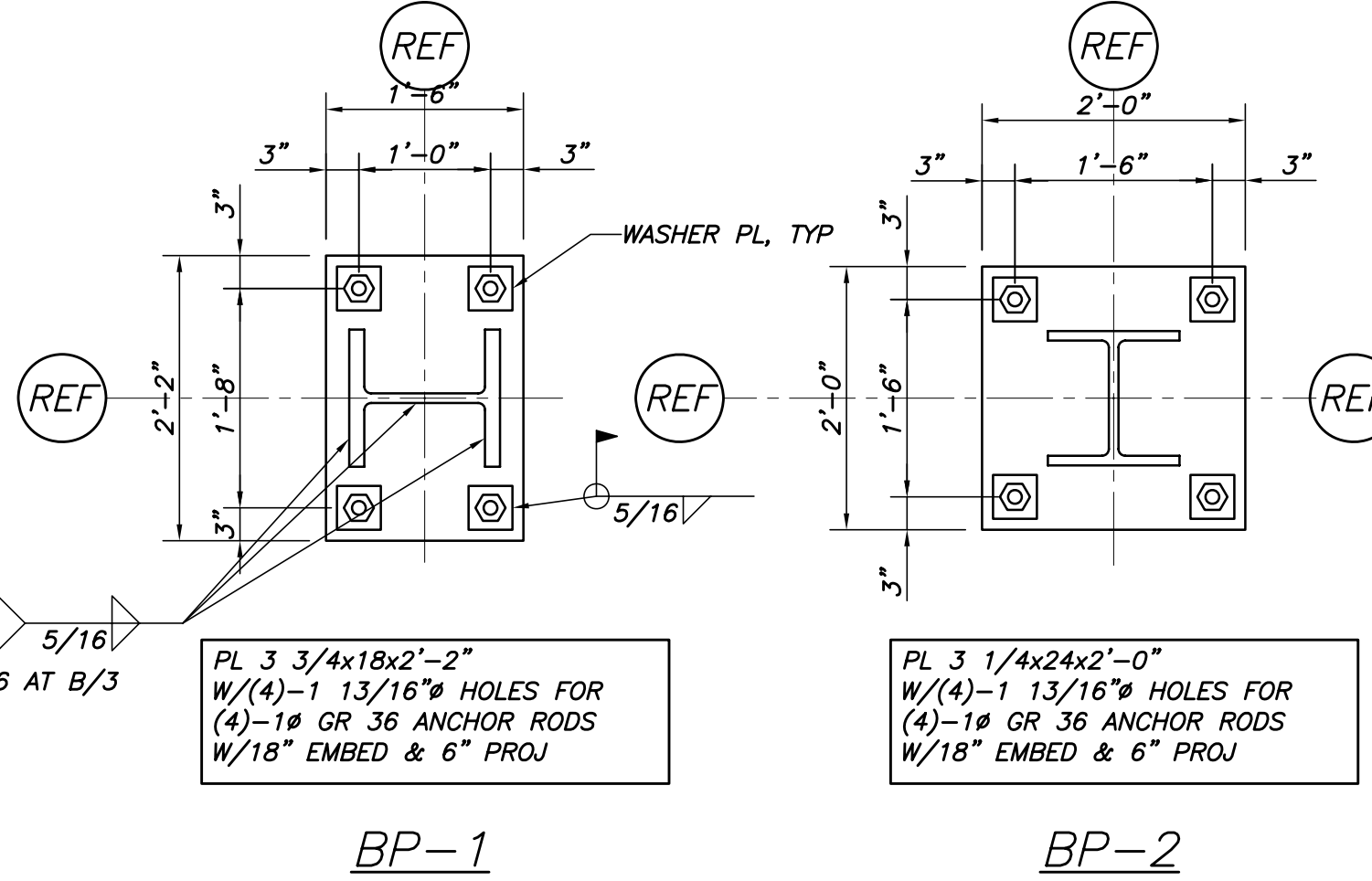
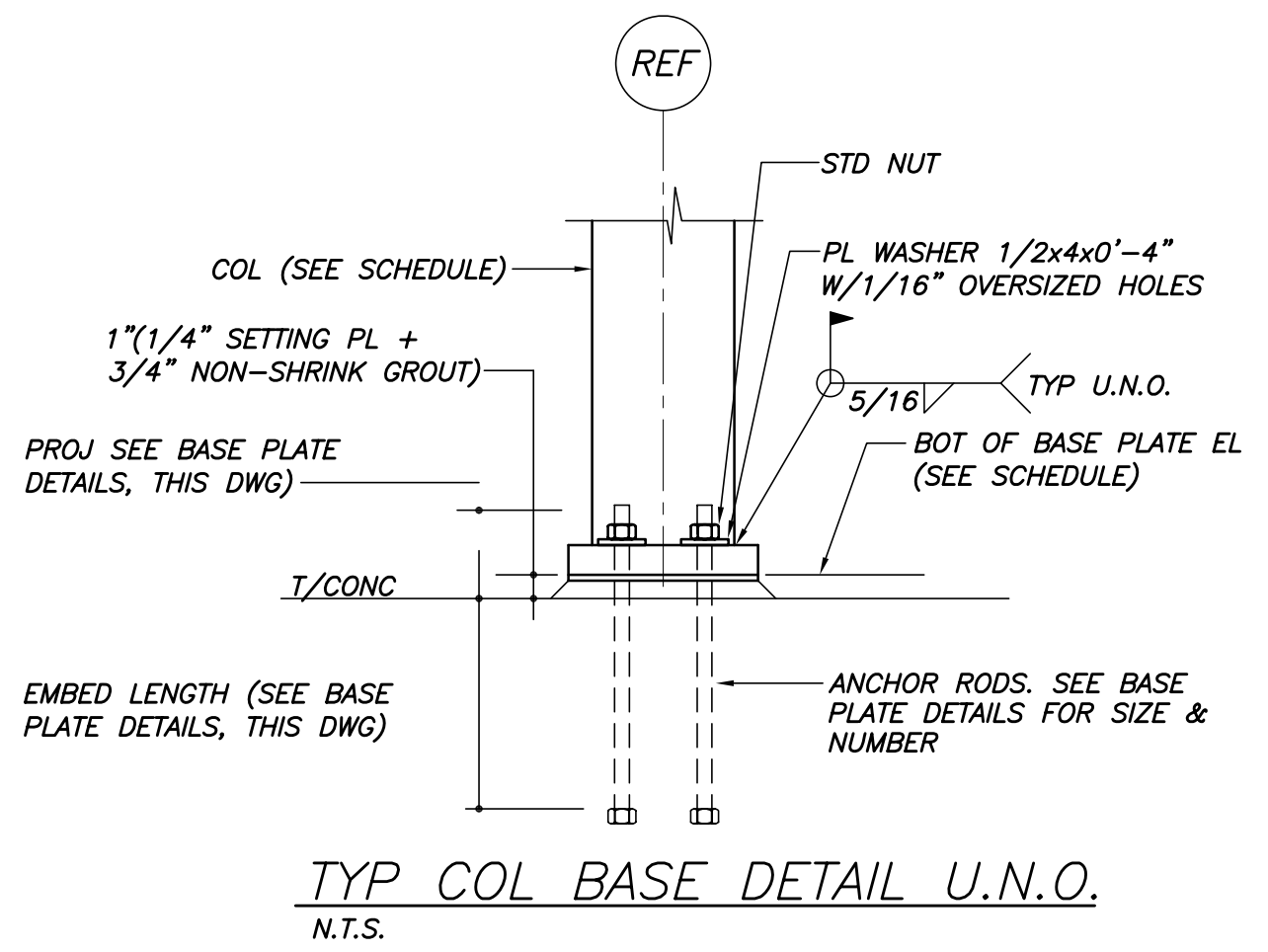


STEEL COLUMN SCHEDULE

COLUMN MARK	G.5-1.4	G-1	G-2.2	G-4	G-5	G-6	G-7	E.8-1	E.8-2.2	E.2-1	E-4	E-5	E-6	E-7	D-1	D-2	D-4	D-5	D-6	D-7	C-1	C-2	B-3	B-4	B-5	B-6	B-7	A-1.6	A-5	A-6	A-7	A-8	A-9	A-10	A.01-3	A.02-3.5	A.02-4	F.6-1.5		
PENTHOUSE ROOF																																								
PARAPET T/STL EL.																																								
ROOF & PENTHOUSE FLOOR																																								
LEVEL 10																																								
LEVEL 9																																								
LEVEL 8																																								
LEVEL 7																																								
LEVEL 6																																								
LEVEL 5																																								
LEVEL P5																																								
LEVEL 4																																								
LEVEL 3																																								
LEVEL 2																																								
LEVEL 1																																								
BOT OF STEEL COLUMN BASE PL ELEVATION U.D.O.	9'7"-1"	1'6"-8 1/2"	1'6"-8 1/2"	1'6"-8 1/2"	1'6"-8 1/2"	1'6"-8 1/2"	1'6"-8 1/2"	1'6"-8 1/2"	1'6"-8 1/2"	9'7"-1"	1'6"-8 1/2"	1'6"-8 1/2"	1'6"-8 1/2"	1'6"-8 1/2"	1'6"-8 1/2"	9'7"-1"	1'6"-8 1/2"	1'6"-8 1/2"	1'6"-8 1/2"	1'6"-8 1/2"	1'6"-8 1/2"	1'6"-8 1/2"	1'6"-8 1/2"	1'6"-8 1/2"	1'6"-8 1/2"	1'6"-8 1/2"	1'6"-8 1/2"	1'6"-8 1/2"	1'6"-8 1/2"	1'6"-8 1/2"	1'6"-8 1/2"	1'6"-8 1/2"	1'6"-8 1/2"	1'6"-8 1/2"	1'6"-8 1/2"	1'6"-8 1/2"	1'6"-8 1/2"	1'6"-8 1/2"		
BASE PL TYPE	BP-1	BP-4	BP-4	BP-3	BP-3	BP-3	BP-3	BP-4	BP-4	BP-1	BP-3	BP-3	BP-3	BP-3	BP-3	BP-4	BP-3	BP-3	BP-3	BP-3	BP-3	BP-3	BP-3	BP-3	BP-3	BP-3	BP-3	BP-3	BP-3	BP-3	BP-3	BP-3	BP-3	BP-3	BP-3	BP-3	BP-3	BP-3	BP-3	

SEE TYP COL SPLICE DETAILS DWG S3.1

SEE TYP COL SPLICE DETAILS DWG S3.1



BECKER
structural engineers, inc.
75 York Street
Portland, ME 04101-4701
Tel: 207-879-1838
Fax: 207-879-1822
info@beckerstructural.com
www.beckerstructural.com

Project Title
84 MARGINAL WAY
Portland, Maine

HA Project No. 06196
Key Plan



07.30.07	100% SUPERSTRUCTURE SET
07.23.07	REVIEW SET
06.11.07	ISSUED FOR P2/P3/P4 STEEL DETAILING
03.16.07	100% DESIGN DEVELOPMENT
Mark	Description

Drawing Status
100% SUPERSTRUCTURE SET

Drawing Title
COLUMN SCHEDULE
PA / PE: EAR Drawn By: APP
Drawing Number

S1.14