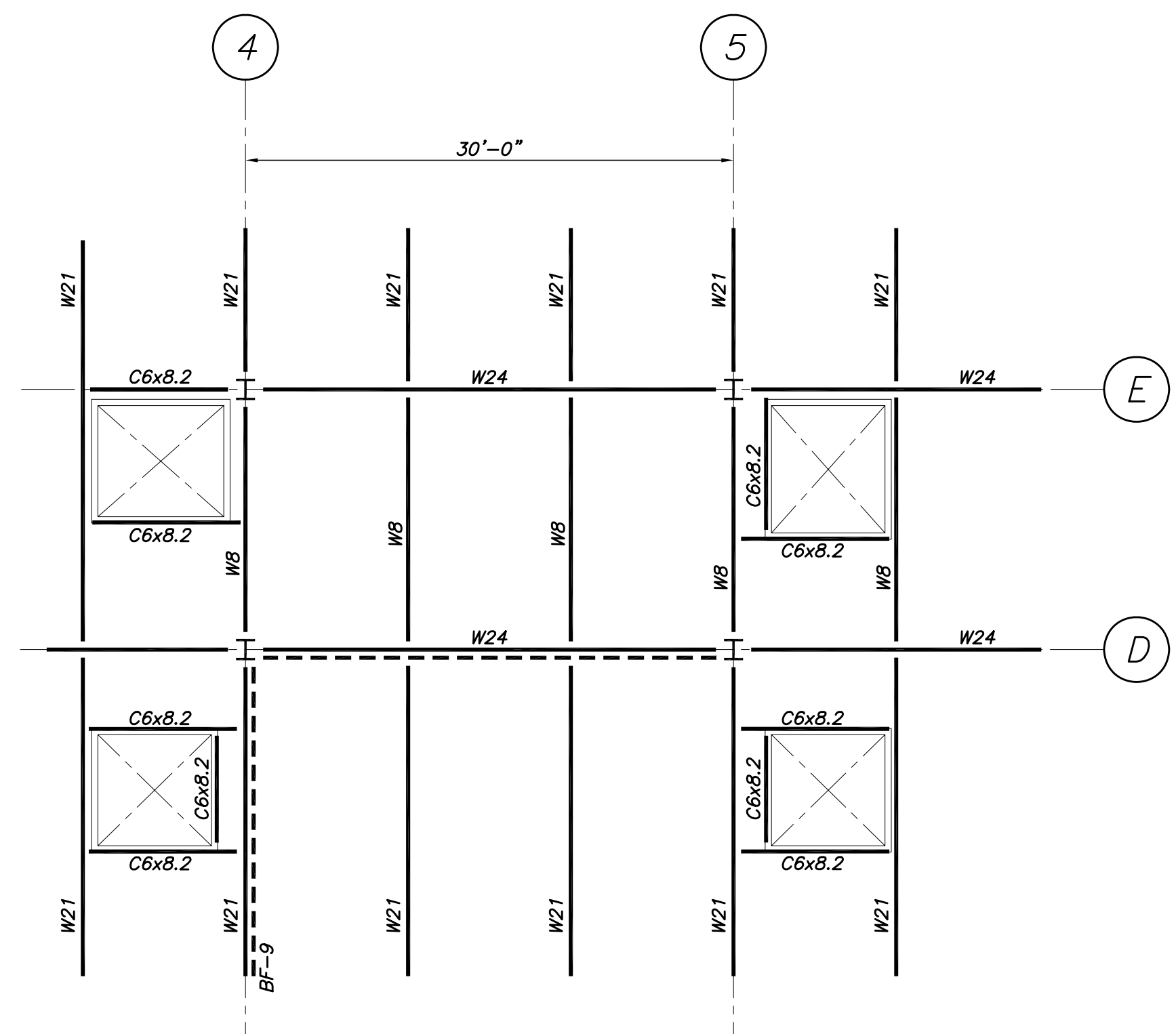
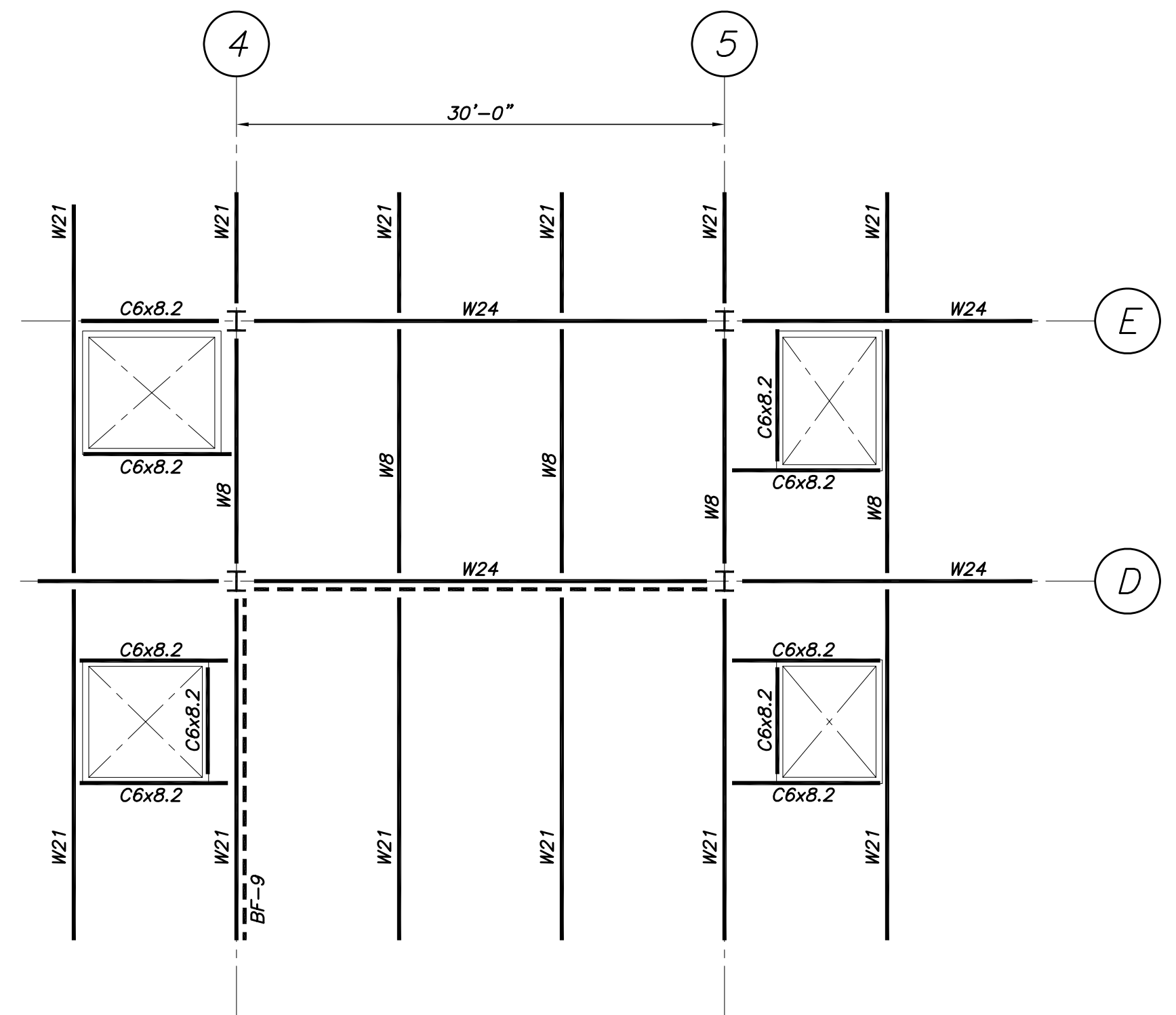


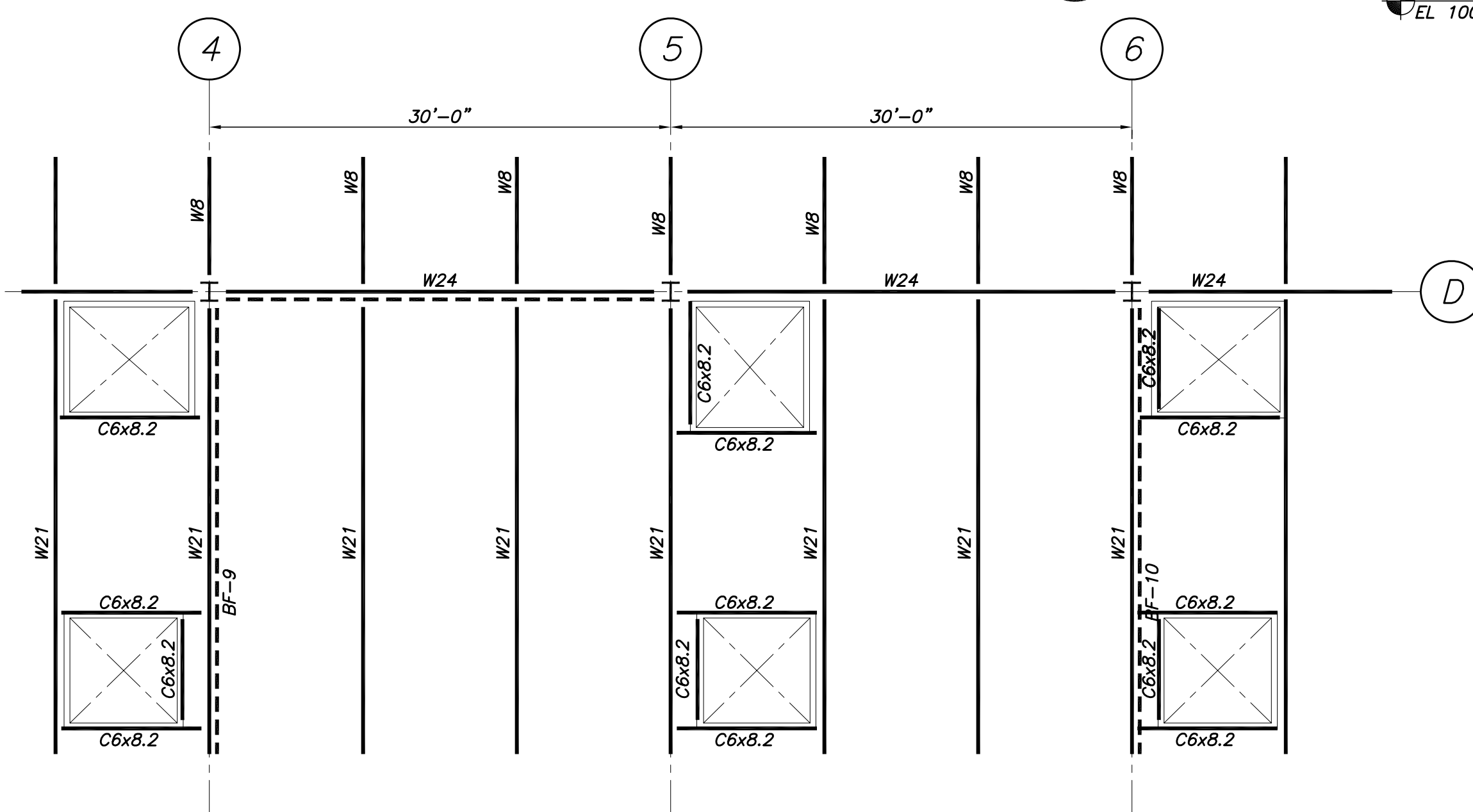
LEVEL 7 PART FRAMING PLAN
1/8"=1'-0"



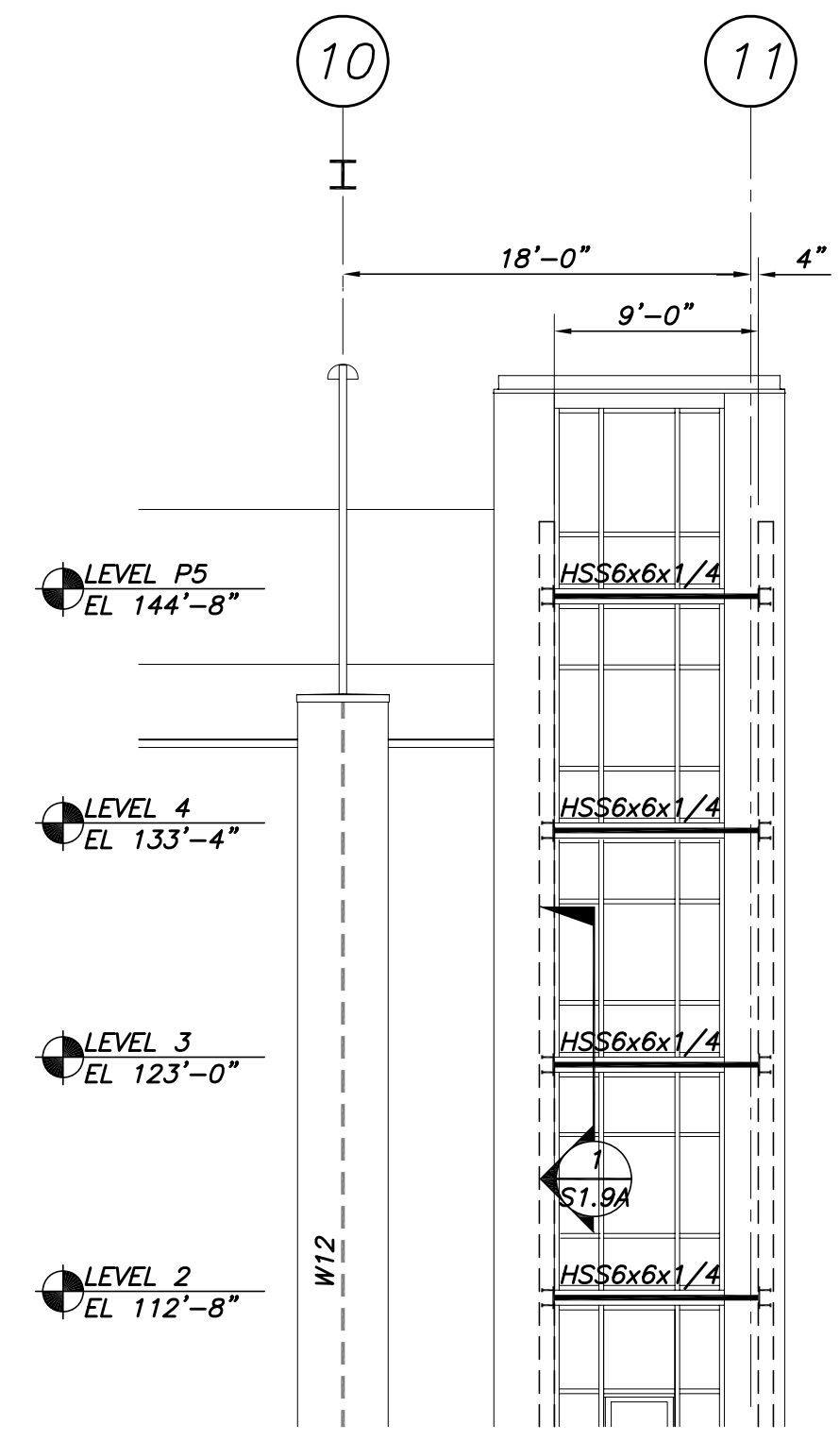
LEVEL 9 PART FRAMING PLAN
1/8"=1'-0"



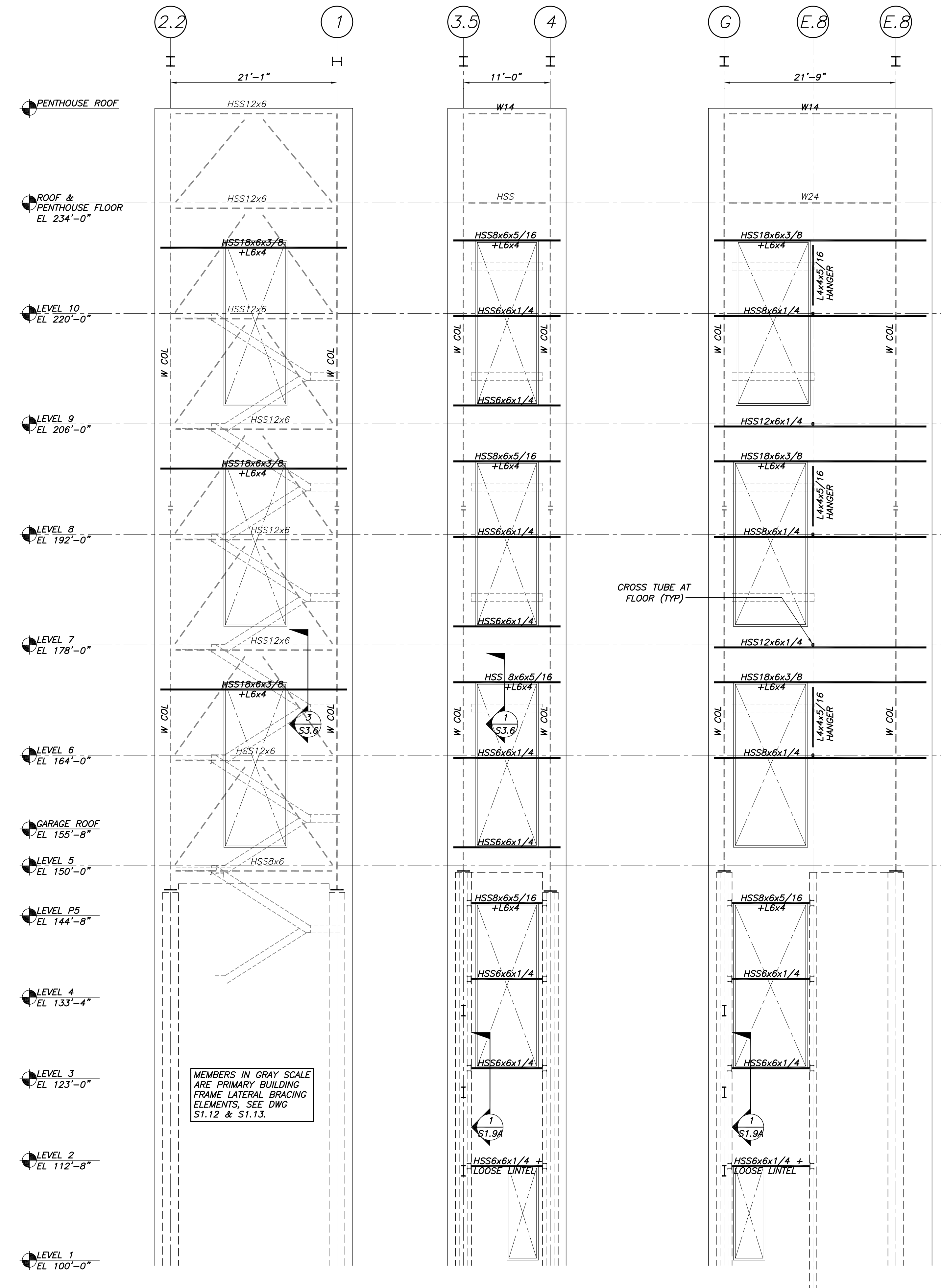
LEVEL 8 PART FRAMING PLAN
1/8"=1'-0"



LEVEL 10 PART FRAMING PLAN
1/8"=1'-0"



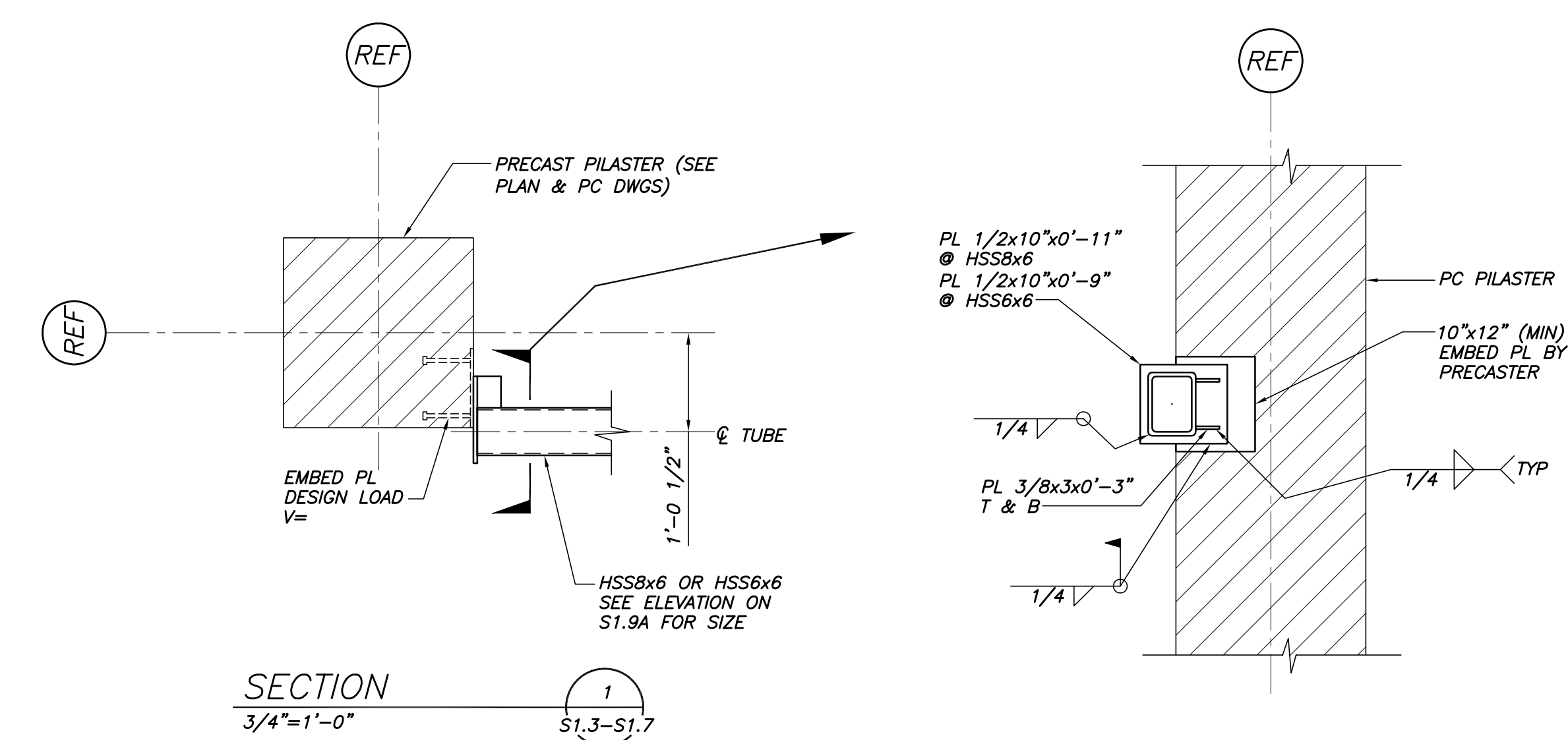
ELEVATION @ A LINE
S1.3, S1.7



ELEVATION @ G LINE
S1.8, S1.9

ELEVATION @ A.O2 LINE
S1.8, S1.9

ELEVATION @ 1 LINE
S1.8, S1.9



SECTION 1
3/4"=1'-0"
S1.3-S1.7

07.30.07	100% SUPERSTRUCTURE SET	
07.23.07	REVIEW SET	
06.11.07	ISSUED FOR P2/P3/P4 STEEL DETAILING	
03.16.07	100% DESIGN DEVELOPMENT	
Mark	Date	Description
Issue Dates		

Drawing Status
100% SUPERSTRUCTURE SET

Drawing Title
LEVEL 7 THRU 10 PART FRAMING PLANS

PA / PE: EAR
Drawn By: CHF
Drawing Number

S1.9A