

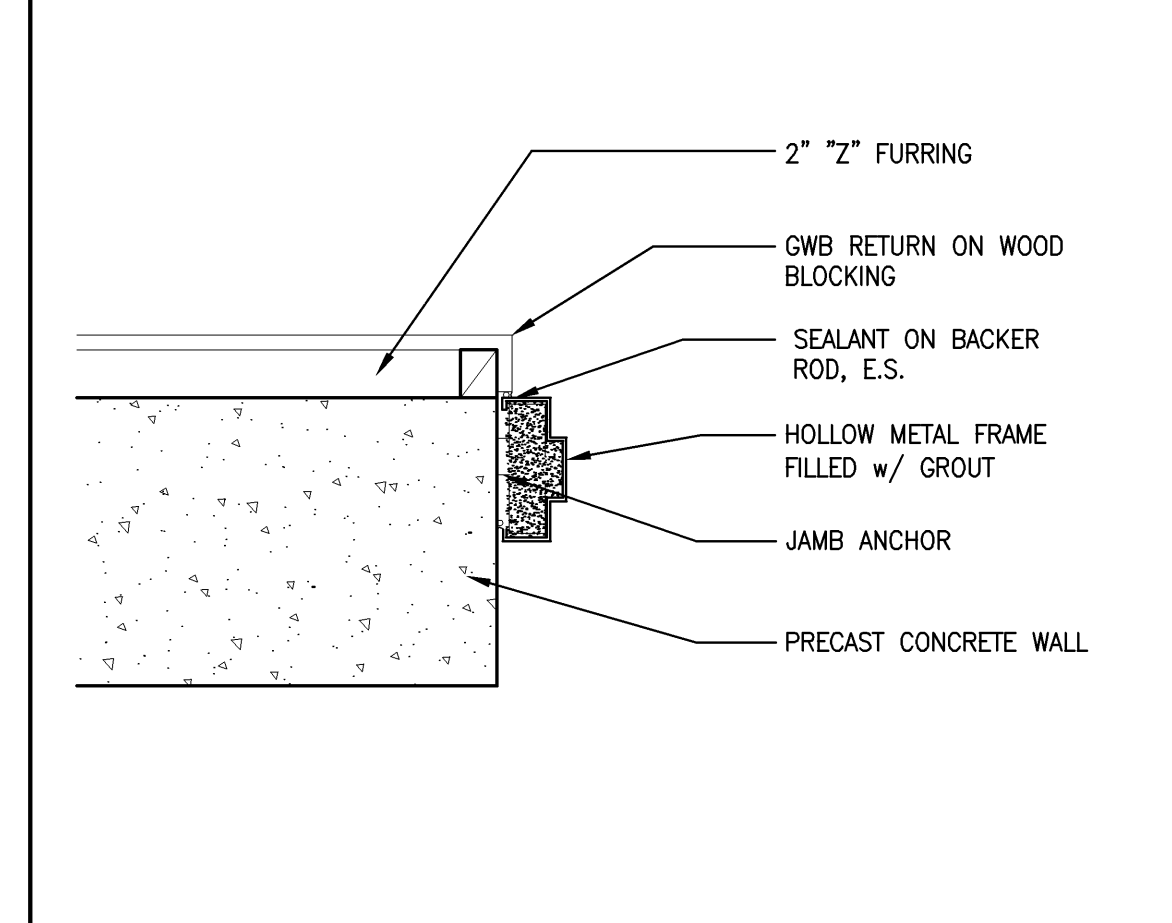
NOTES:
 1. WALL TYPE & THICKNESS VARIES. SEE PLANS FOR WALL TYPES & A40.1 FOR DTLS.
 2. FRAME DEPTH VARIES. SEE DOOR SCHEDULE.

TYP JAMB DETAIL, CMU WALL E4
 1 1/2" = 1'-0" REF: --

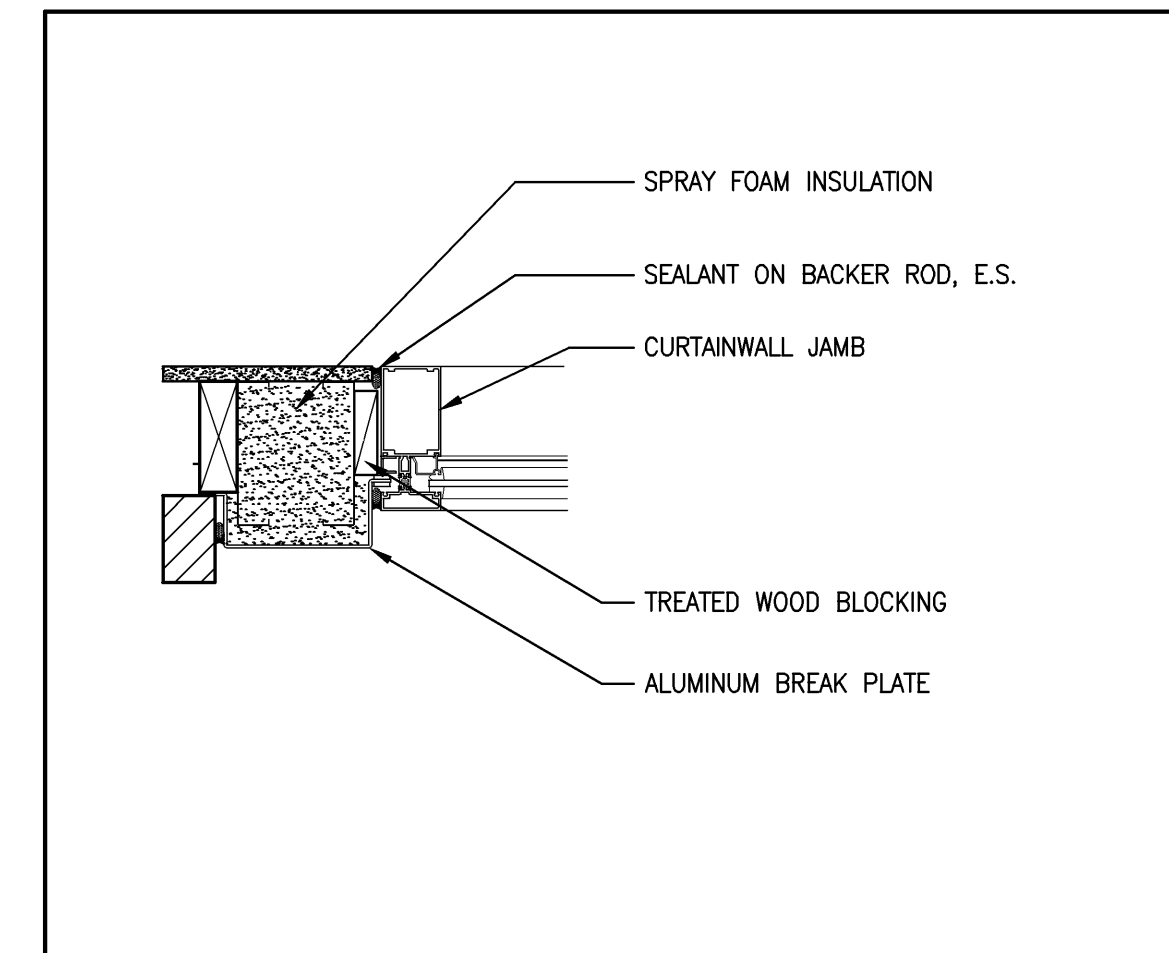
TYP HEAD DETAIL, CMU WALL E4
 1 1/2" = 1'-0" REF: --

TYP HEAD DETAIL, HM FRAME E2
 1 1/2" = 1'-0" REF: --

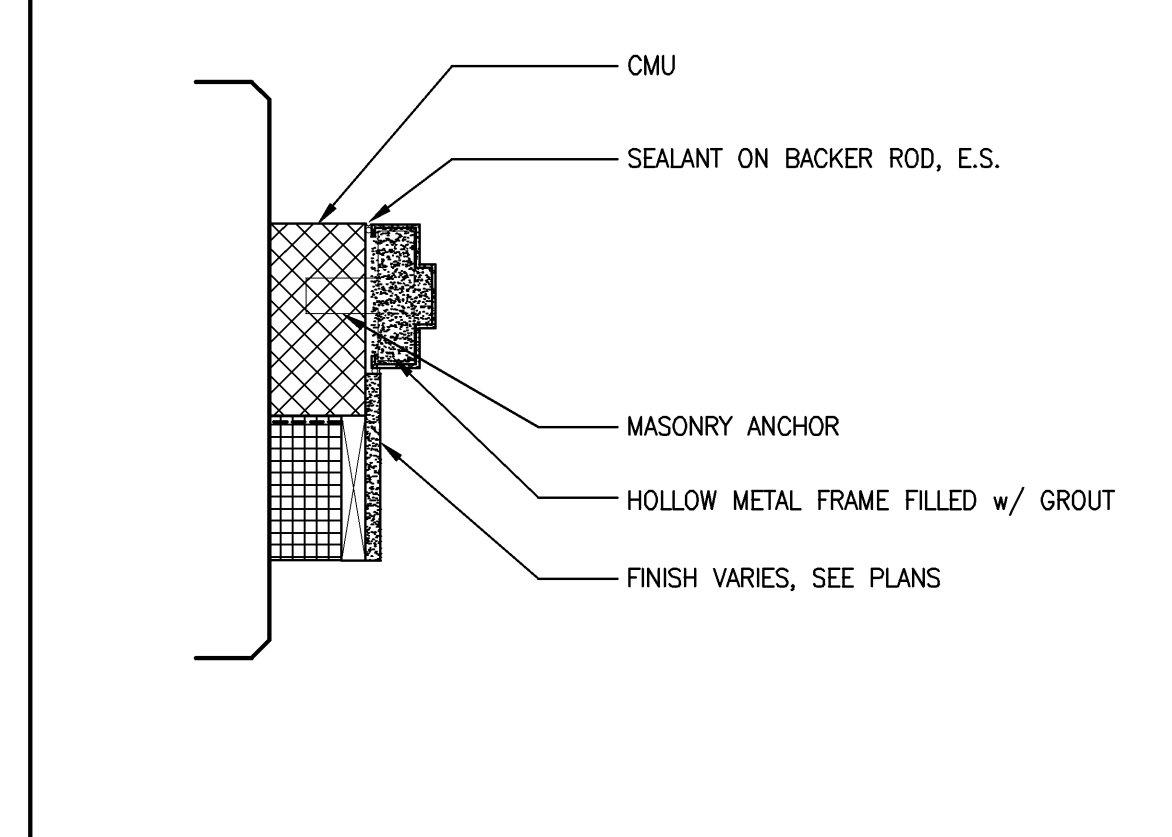
TYP JAMB DETAIL, HM FRAME E1
 1 1/2" = 1'-0" REF: --



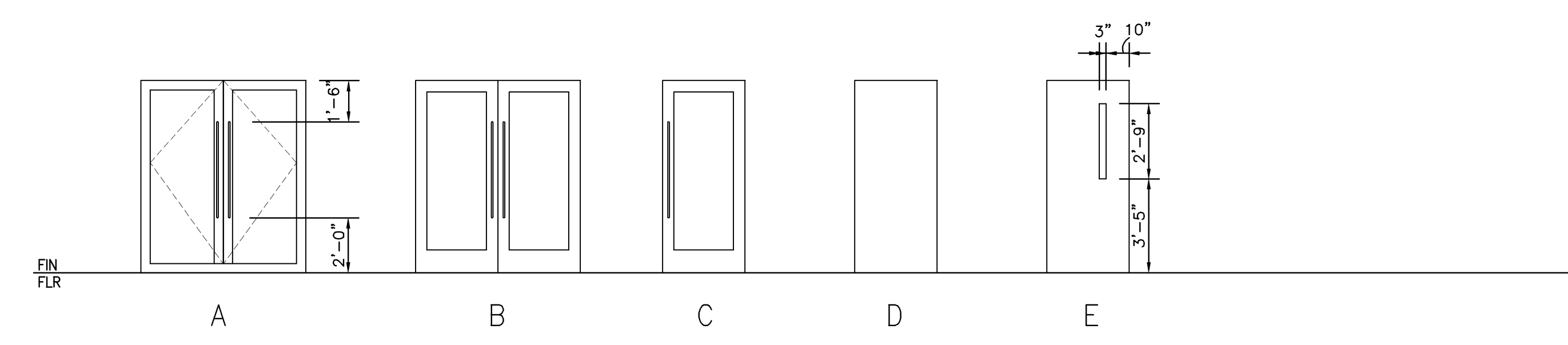
TYP JAMB DETAIL, PRECAST WALL D4
 1 1/2" = 1'-0" REF: --



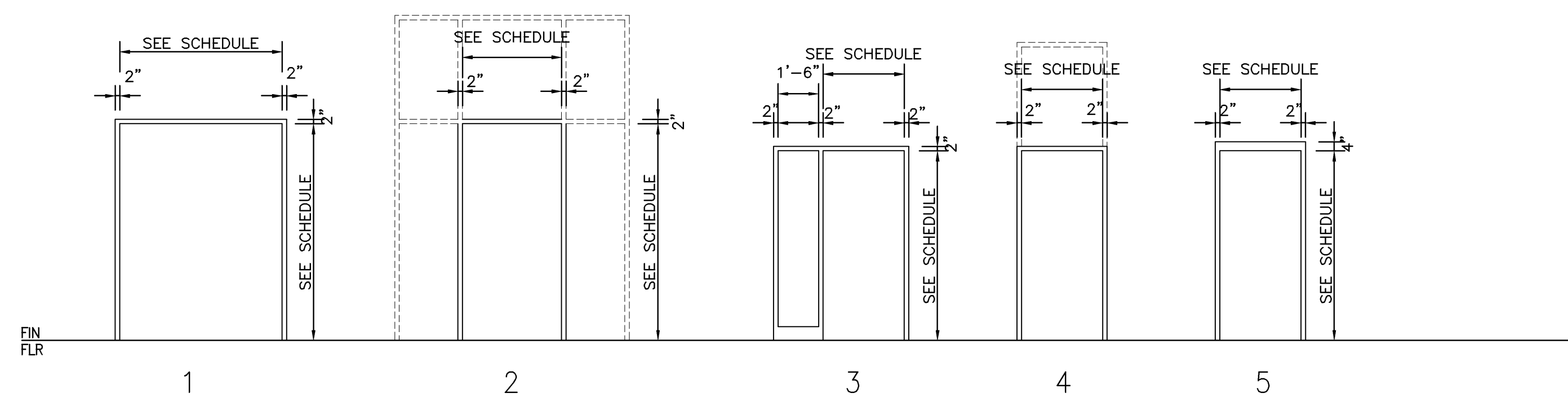
TYP JAMB DETAIL CURTAINWALL C5
 1 1/2" = 1'-0" REF: --



JAMB DETAIL CMU STAIR 1 C4
 1 1/2" = 1'-0" REF: --



DOOR TYPE ELEVATIONS B4
 REF: --



DOOR FRAME ELEVATIONS A4
 REF: --

DOOR SCHEDULE

DOOR NUMBER	DOOR			GLAZING	FRAME				HWS	FIRE RATING (MIN.)	REMARKS
	SIZE	MATERIAL	ELEVATION		MATERIAL	ELEVATION	JAMB	SILL			
101A	(2) 3'-0"x8'-0"x1-3/4"	INSUL GL	A	TEMP/INS	AL	-	-	-	X	-	
101B	(2) 3'-0"x8'-0"x1-3/4"	INSUL GL	A	TEMP/INS	AL	-	-	-	X	-	
101C	(2) 3'-0"x7'-0"x1-3/4"	INSUL AL	B	INS FIRELITE	AL	1	-	-	X	45	
102	3'-0"x7'-0"x1-3/4"	HM/INS	D	-	HM	4	-	-	X	90	
103A	3'-6"x8'-0"x1-3/4"	INSUL AL	C	TEMP/INS	AL	2	-	-	X	-	
103B	3'-0"x7'-0"x1-3/4"	INSUL HM	C	TEMP/INS	HM	3	-	-	X	SMOKE	
104A	3'-0"x7'-0"x1-3/4"	HM/INS	E	WIRE	HM	4	-	-	X	90	
104B	3'-0"x7'-0"x1-3/4"	HM/INS	E	WIRE	HM	4	-	-	X	90	
104C	3'-0"x6'-8"x1-3/4"	INSUL AL	C	TEMP/INS	AL	4	-	-	X	-	
106A	3'-0"x8'-0"x1-3/4"	INSUL AL	C	TEMP/INS	AL	4	-	-	X	-	
106B	3'-0"x7'-0"x1-3/4"	HM/INS	E	WIRE	HM	4	-	-	X	90	
107	3'-0"x8'-0"x1-3/4"	AL	C	TEMP	AL	-	-	-	X	-	
108A	3'-0"x7'-0"x1-3/4"	INSUL AL	C	INS FIRELITE	AL	4	-	-	X	90	
108B	(2) 3'-6"x8'-0"x1-3/4"	INSUL AL	B	TEMP/INS	AL	-	-	-	X	-	
108C	(2) 3'-6"x8'-0"x1-3/4"	INSUL AL	B	TEMP/INS	AL	-	-	-	X	-	
108D	(2) 3'-6"x8'-0"x1-3/4"	INSUL AL	B	TEMP/INS	AL	-	-	-	X	-	
109	3'-0"x7'-0"x1-3/4"	HM/INS	D	-	HM	6	-	-	X	90	
110A	3'-0"x7'-0"x1-3/4"	HM/INS	D	-	HM	6	-	-	X	-	
110B	3'-0"x7'-0"x1-3/4"	HM/INS	D	-	HM	6	-	-	X	60	
111	3'-0"x7'-0"x1-3/4"	HM/INS	D	-	HM	6	-	-	X	-	
112	3'-0"x7'-0"x1-3/4"	HM/INS	D	-	HM	6	-	-	X	60	
201	(2) 3'-0"x7'-0"x1-3/4"	INSUL AL	B	INS FIRELITE	-	1	-	-	X	45	
203	3'-0"x7'-0"x1-3/4"	INSUL HM	C	TEMP/INS	HM	3	-	-	X	SMOKE	
204	3'-0"x7'-0"x1-3/4"	HM/INS	E	WIRE	HM	4	-	-	X	90	
206	3'-0"x7'-0"x1-3/4"	HM/INS	E	WIRE	HM	4	-	-	X	90	
207	3'-0"x7'-0"x1-3/4"	HM/INS	E	WIRE	HM	4	-	-	X	90	
301	(2) 3'-0"x7'-0"x1-3/4"	INSUL AL	B	INS FIRELITE	-	1	-	-	X	45	
303	3'-0"x7'-0"x1-3/4"	INSUL HM	C	TEMP/INS	HM	3	-	-	X	SMOKE	
304	3'-0"x7'-0"x1-3/4"	HM/INS	E	WIRE	HM	4	-	-	X	90	
306	3'-0"x7'-0"x1-3/4"	HM/INS	E	WIRE	HM	4	-	-	X	90	
307	3'-0"x7'-0"x1-3/4"	HM/INS	E	WIRE	HM	4	-	-	X	90	
401	(2) 3'-0"x7'-0"x1-3/4"	INS FIRELITE	B	TEMP	-	1	-	-	X	45	
403	3'-0"x7'-0"x1-3/4"	INSUL HM	C	TEMP/INS	HM	3	-	-	X	SMOKE	
404	3'-0"x7'-0"x1-3/4"	HM/INS	E	WIRE	HM	4	-	-	X	90	
406	3'-0"x7'-0"x1-3/4"	HM/INS	E	WIRE	HM	4	-	-	X	90	
407	3'-0"x7'-0"x1-3/4"	HM/INS	E	WIRE	HM	4	-	-	X	90	
501	3'-0"x7'-0"x1-3/4"	HM	E	WIRE	WD	4	-	-	X	90	
502	3'-0"x7'-0"x1-3/4"	HM	E	WIRE	WD	4	-	-	X	90	
504	3'-0"x7'-0"x1-3/4"	HM	D	-	WD	4	-	-	X	60	
505	3'-0"x7'-0"x1-3/4"	HM	D	-	WD	4	-	-	X	60	
506	3'-0"x7'-0"x1-3/4"	HM	D	-	WD	4	-	-	X	60	
507	3'-0"x7'-0"x1-3/4"	HM/INS	E	WIRE	HM	4	-	-	X	90	
601	3'-0"x7'-0"x1-3/4"	HM	E	WIRE	WD	4	-	-	X	90	
602	3'-0"x7'-0"x1-3/4"	HM	E	WIRE	WD	4	-	-	X	90	
604	3'-0"x7'-0"x1-3/4"	HM	D	-	WD	4	-	-	X	60	
605	3'-0"x7'-0"x1-3/4"	HM	D	-	WD	4	-	-	X	60	
606	3'-0"x7'-0"x1-3/4"	HM	D	-	WD	4	-	-	X	60	
701	3'-0"x7'-0"x1-3/4"	HM	E	WIRE	WD	4	-	-	X	90	
702	3'-0"x7'-0"x1-3/4"	HM	E	WIRE	WD	4	-	-	X	90	
704	3'-0"x7'-0"x1-3/4"	HM	D	-	WD	4	-	-	X	60	
705	3'-0"x7'-0"x1-3/4"	HM	D	-	WD	4	-	-	X	60	
706	3'-0"x7'-0"x1-3/4"	HM	D	-	WD	4	-	-	X	60	
801	3'-0"x7'-0"x1-3/4"	HM	E	WIRE	WD	4	-	-	X	90	
802	3'-0"x7'-0"x1-3/4"	HM	E	WIRE	WD	4	-	-	X	90	
804	3'-0"x7'-0"x1-3/4"	HM	D	-	WD	4	-	-	X	60	
805	3'-0"x7'-0"x1-3/4"	HM	D	-	WD	4	-	-	X	60	
806	3'-0"x7'-0"x1-3/4"	HM	D	-	WD	4	-	-	X	60	
901	3'-0"x7'-0"x1-3/4"	HM	E	WIRE	WD	4	-	-	X	90	
902	3'-0"x7'-0"x1-3/4"	HM	E	WIRE	WD	4	-	-	X	90	
904	3'-0"x7'-0"x1-3/4"	HM	D	-	WD	4	-	-	X	60	
905	3'-0"x7'-0"x1-3/4"	HM	D	-	WD	4	-	-	X	60	
906	3'-0"x7'-0"x1-3/4"	HM	D	-	WD	4	-	-	X	60	
1001	3'-0"x7'-0"x1-3/4"	HM	E	WIRE	WD	4	-	-	X	90	
1002	3'-0"x7'-0"x1-3/4"	HM	E	WIRE	WD	4	-	-	X	90	
1004	3'-0"x7'-0"x1-3/4"	HM	D	-	WD	4	-	-	X	60	
1005	3'-0"x7'-0"x1-3/4"	HM	D	-	WD	4	-	-	X	60	
1006	3'-0"x7'-0"x1-3/4"	HM	D	-	WD	4	-	-	X	60	
1101	3'-0"x7'-0"x1-3/4"	HM/INS	D	-	HM/INS	4	-	-	X	90	
1102	3'-0"x7'-0"x1-3/4"	HM/INS	D	-	HM/INS	4	-	-	X	90	
1103A	3'-0"x7'-0"x1-3/4"	HM	D	-	HM	4	-	-	X	90	
1103B	3'-0"x7'-0"x1-3/4"	HM	D	-	HM	4	-	-	X	90	

DOOR SCHEDULE A1
 REF: --

pizzagalli
 construction company

Architects + Engineers
HARRIMAN ASSOCIATES

One Auburn Business Park
 Auburn, Maine 04210
 207.784.5100 tel
 207.783.3017 fax

66 Pearl St., Suite 301
 Portland, Maine 04101
 207.775.0053 tel
 207.775.0460 fax
 www.harriman.com
 © 2006

LICENSED ARCHITECT
 JUDY JOSEPH
 No. 2006
 STATE OF MAINE

Project Title
84 MARGINAL WAY
 Portland, Maine

HA Project No. **06196**

Key Plan

GENERAL NOTES

1. --

Mark	Date	Description
-	07.30.07	ISSUED FOR CONSTRUCTION
-	06.25.07	60% CONSTRUCTION DOCUMENTS
-	05.24.07	25% CONSTRUCTION DOCUMENTS
-	03.16.07	100% DESIGN DEVELOPMENT
-	03.16.07	100% DESIGN DEVELOPMENT
-	03.09.07	ELEVATOR PACKAGE
-	02.23.07	10% DESIGN DEVELOPMENT
-	02.07.07	SCHEMATIC DESIGN
-	02.06.07	AMENDED SITE PLAN REVIEW
-	01.26.07	M.E.P.F. R.F.P.
-	12.22.06	RESPONSE TO PLANNING COMMENTS

Drawing Status

Drawing Title
DOOR SCHEDULE

PA / PE: JLJ Drawn By: JPG

Drawing Number
A60.1