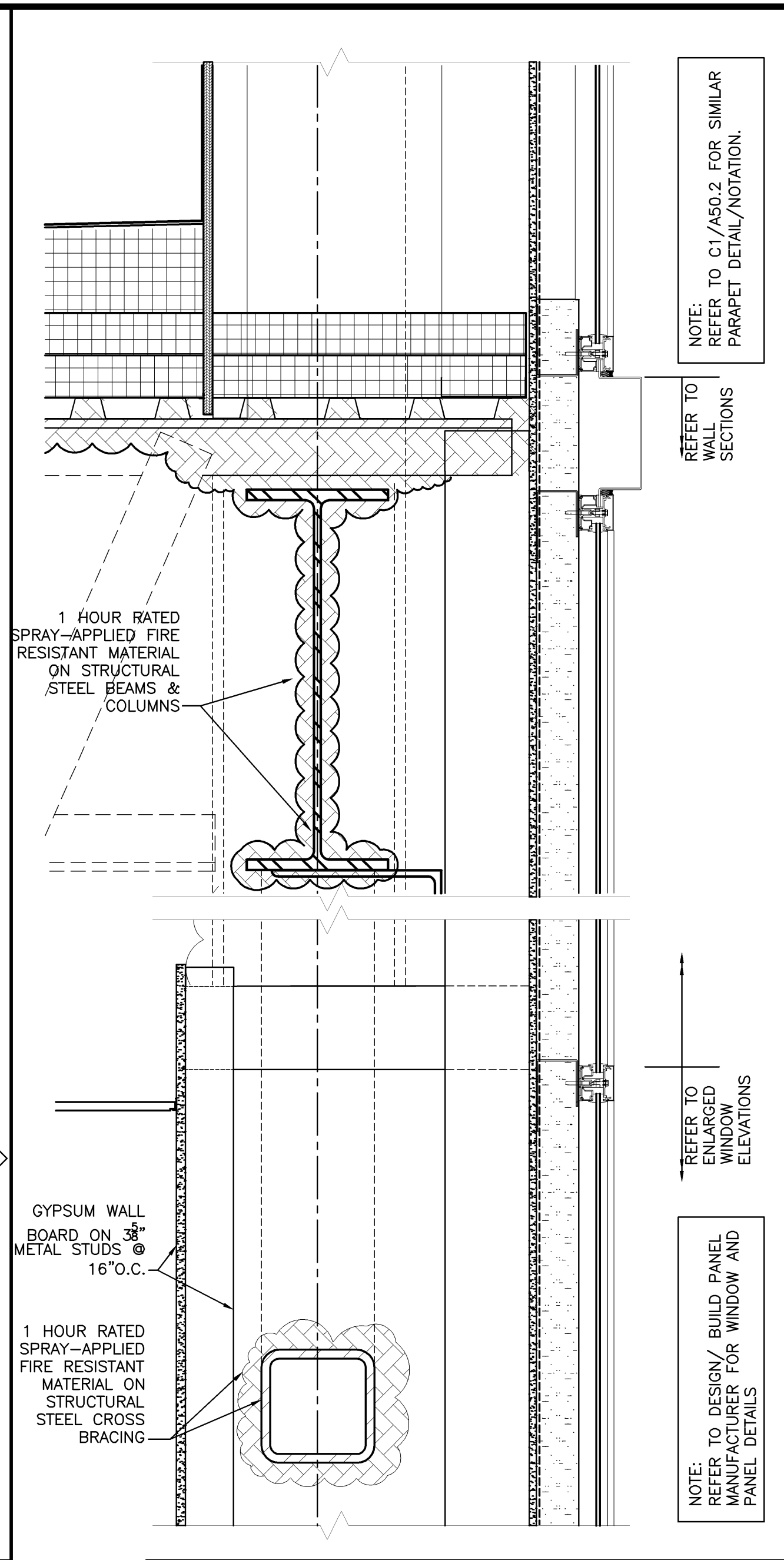
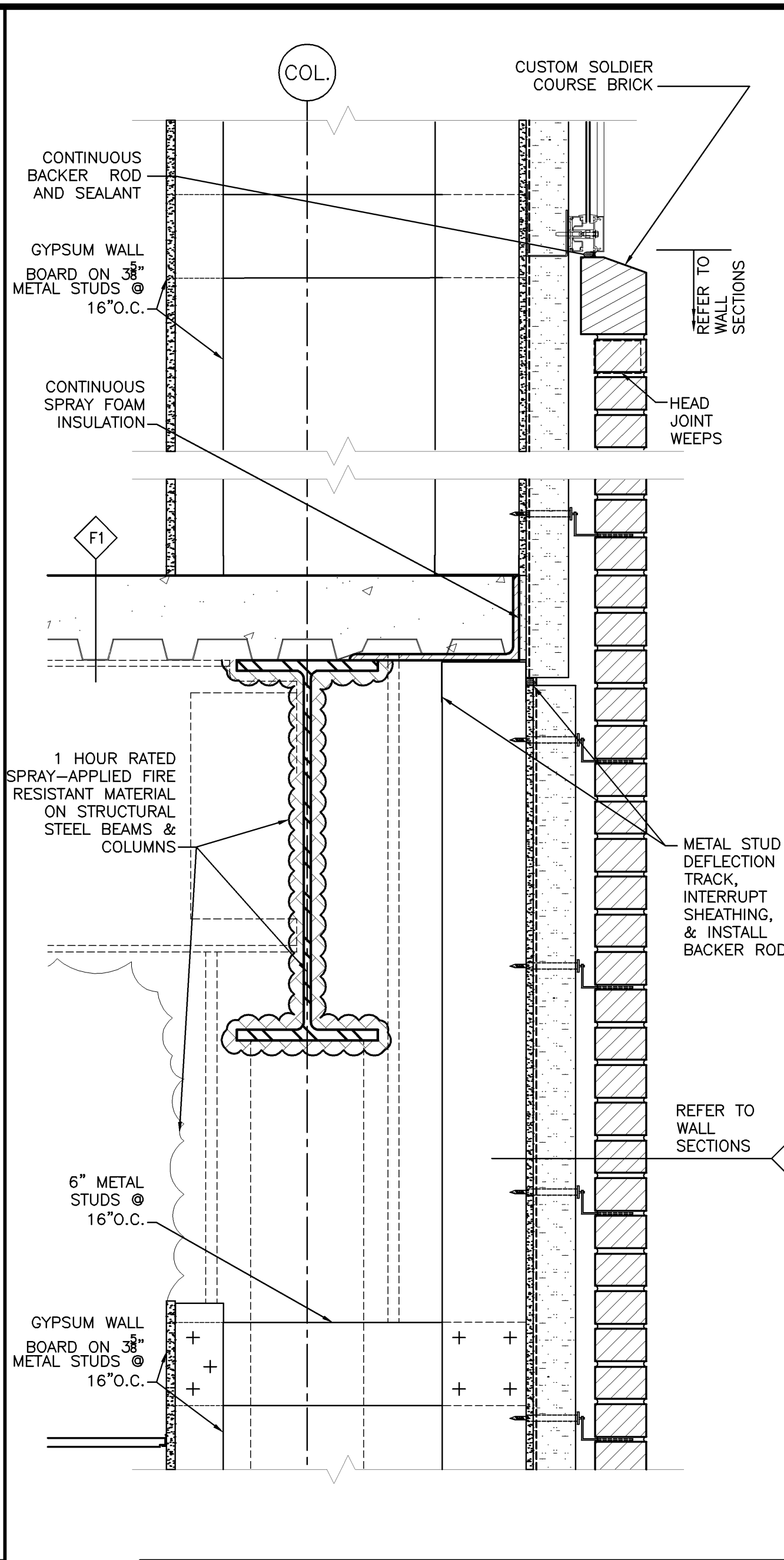


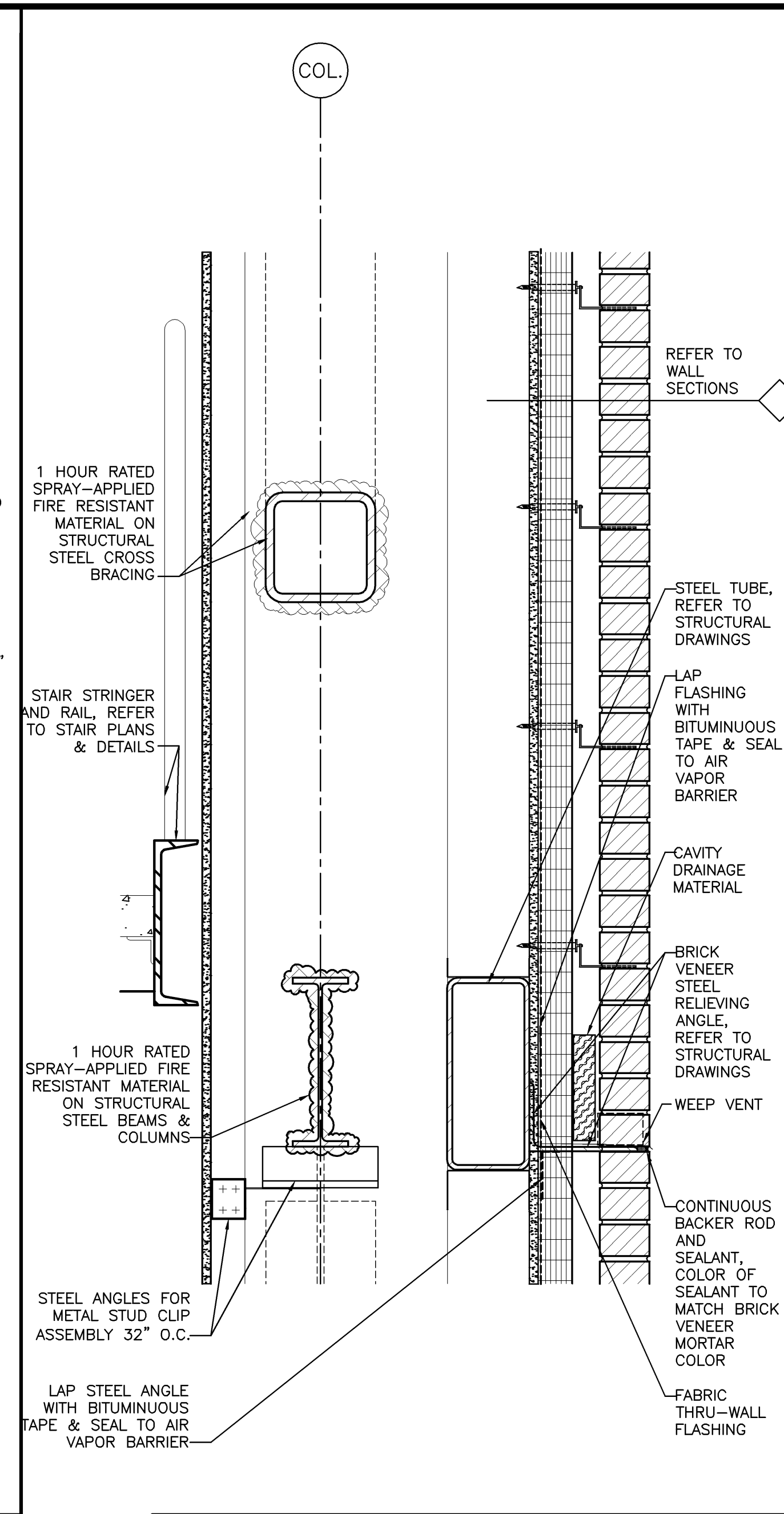
DETAIL. 1 1/2" = 1'-0" REF: A30.2 **C1**



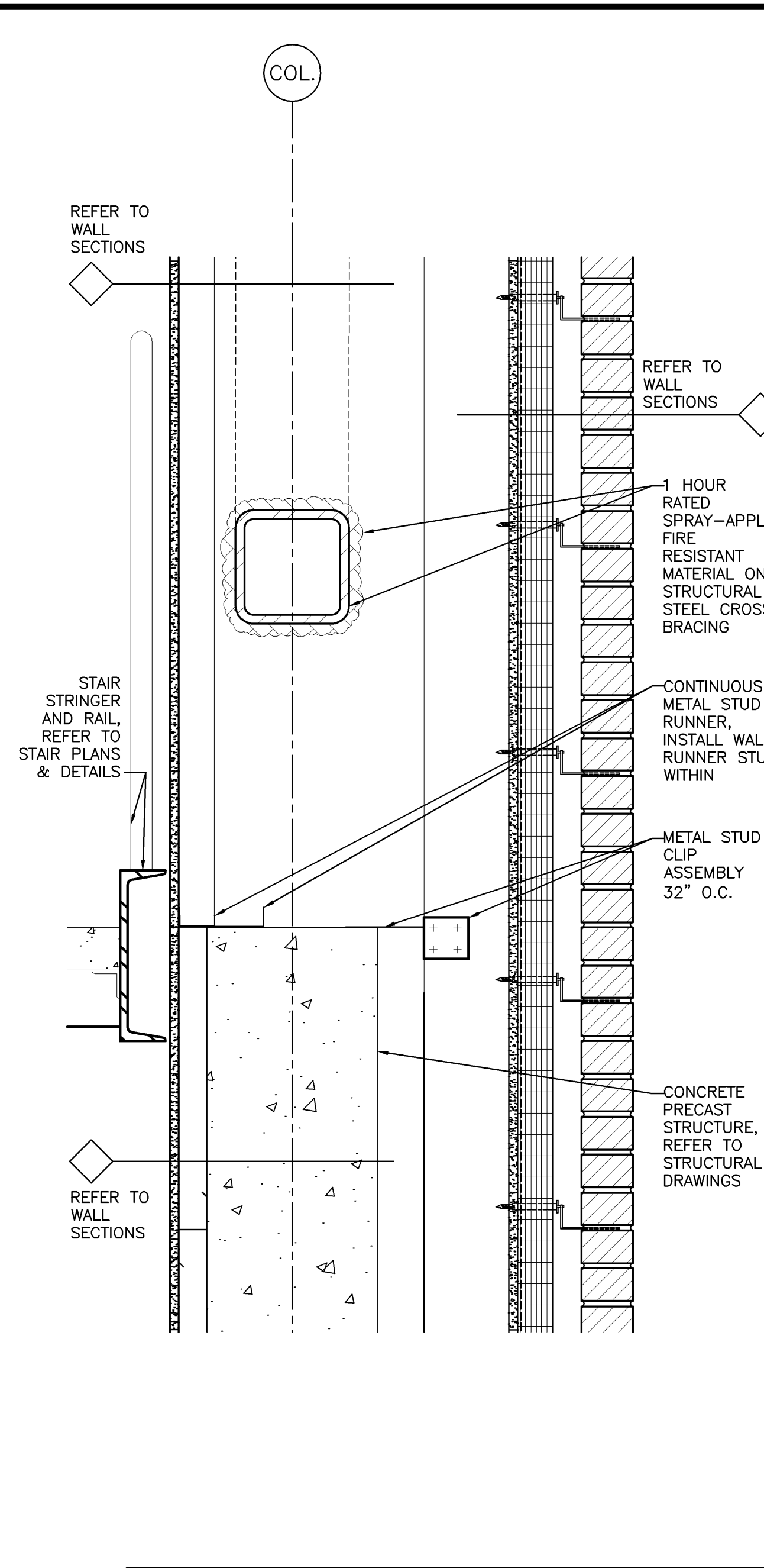
DETAIL. 1 1/2" = 1'-0" REF: A30.2 **C2**



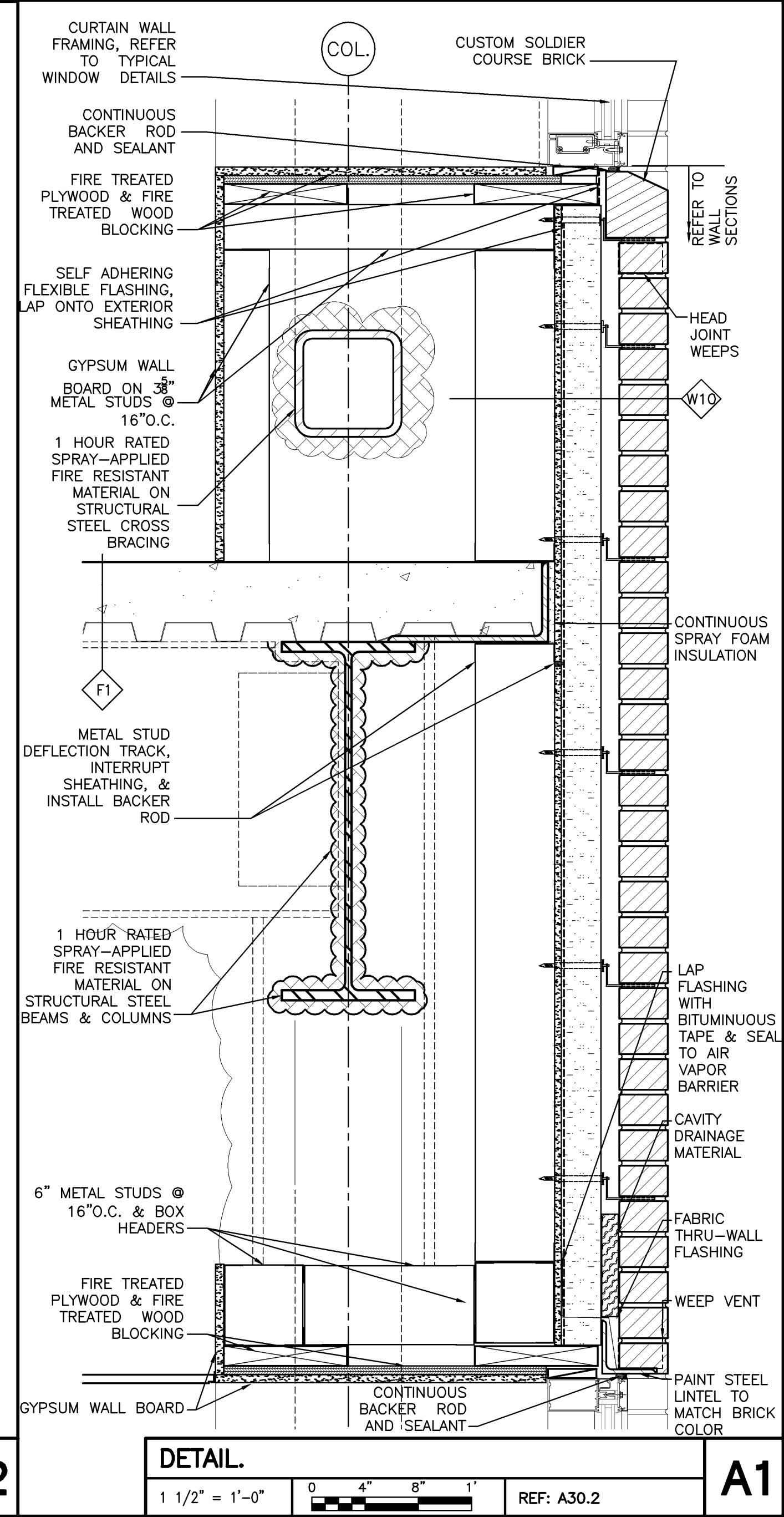
DETAIL. 1 1/2" = 1'-0" REF: A30.2 **C3**



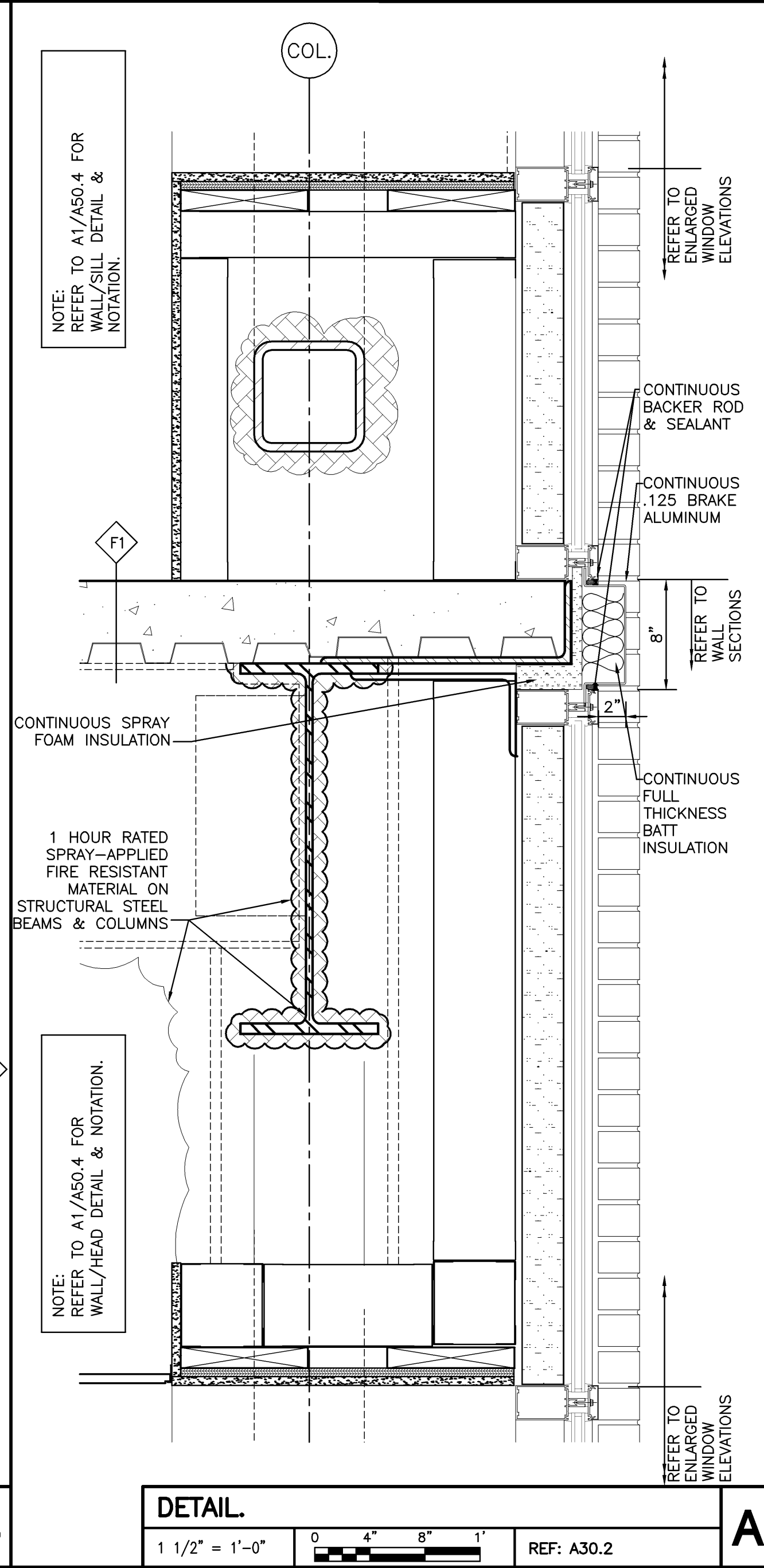
DETAIL. 1 1/2" = 1'-0" REF: A30.2 **C4**



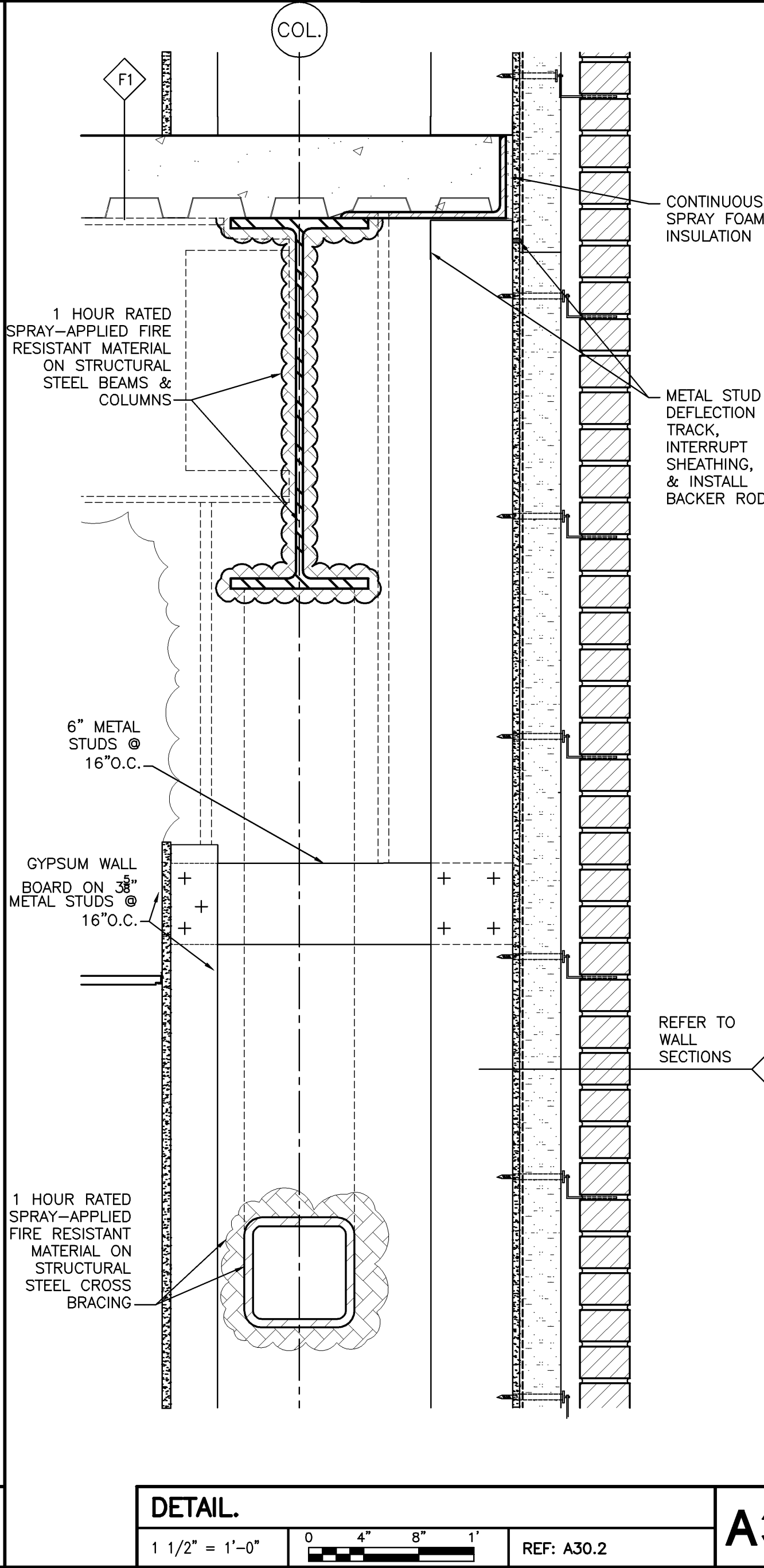
DETAIL. 1 1/2" = 1'-0" REF: A30.2 **C5**



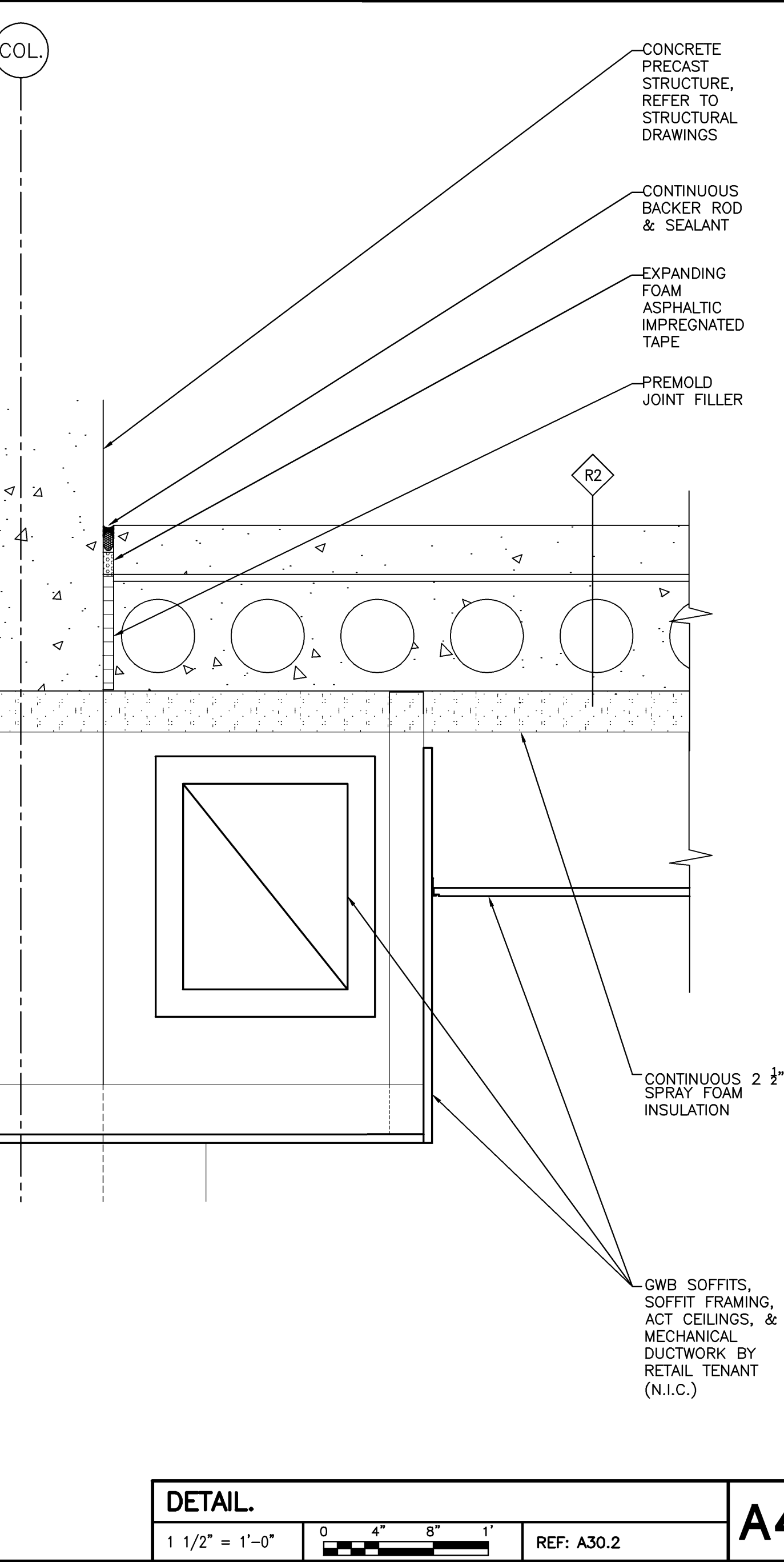
DETAIL. 1 1/2" = 1'-0" REF: A30.2 **A1**



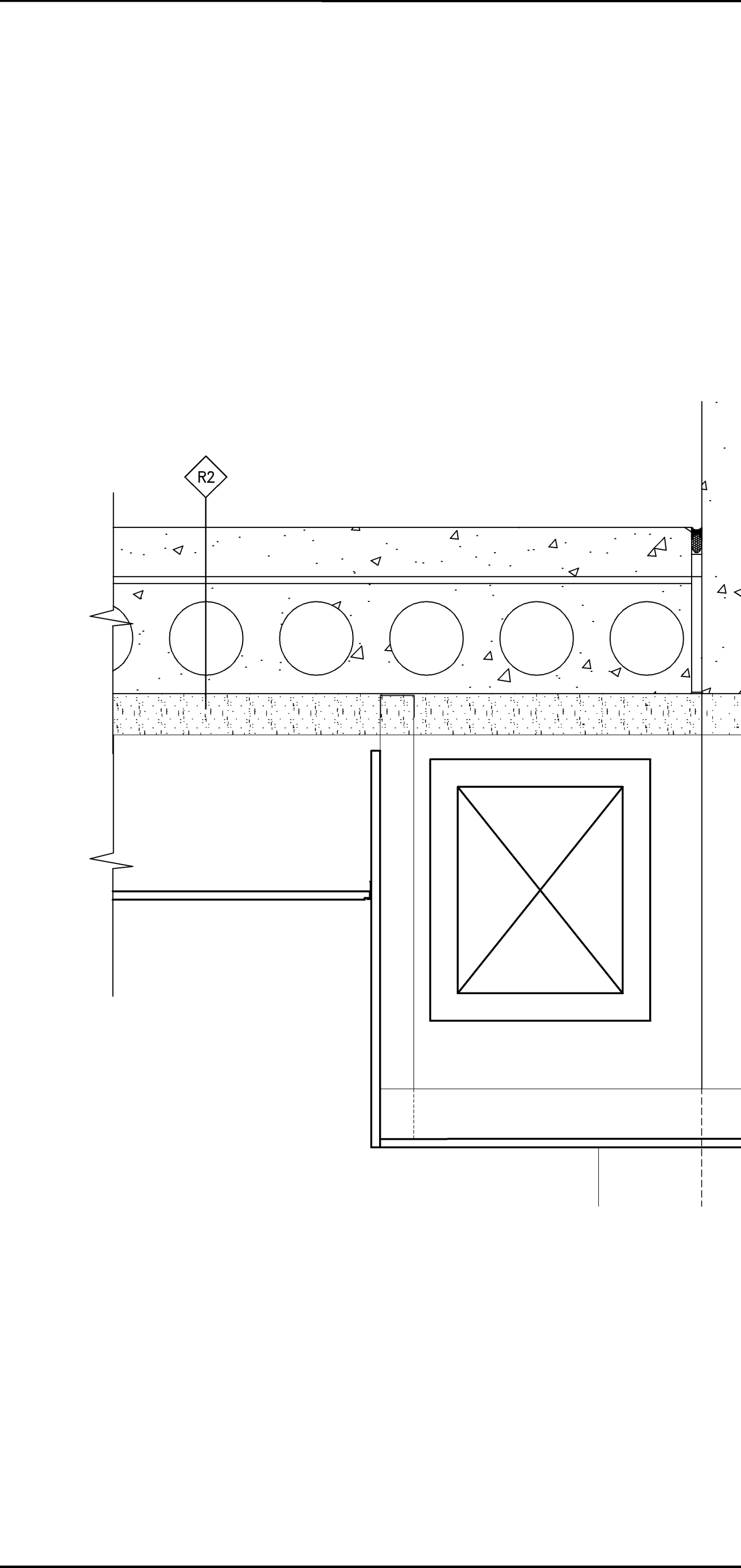
DETAIL. 1 1/2" = 1'-0" REF: A30.2 **A2**



DETAIL. 1 1/2" = 1'-0" REF: A30.2 **A3**



DETAIL. 1 1/2" = 1'-0" REF: A30.2 **A4**



DETAIL. 1 1/2" = 1'-0" REF: A30.2 **A5**

Mark	Date	Description
-	07.30.07	ISSUED FOR CONSTRUCTION
-	06.25.07	60% CONSTRUCTION DOCUMENTS
-	05.24.07	25% CONSTRUCTION DOCUMENTS
-	03.16.07	100% DESIGN DEVELOPMENT
-	03.16.07	100% DESIGN DEVELOPMENT
-	03.09.07	ELEVATOR PACKAGE
-	02.23.07	10% DESIGN DEVELOPMENT
-	02.07.07	SCHEMATIC DESIGN
-	02.06.07	AMENDED SITE PLAN REVIEW
-	01.26.07	M.E.P.F. R.F.P.
-	12.22.06	RESPONSE TO PLANNING COMMENTS

Drawing Status

--	--