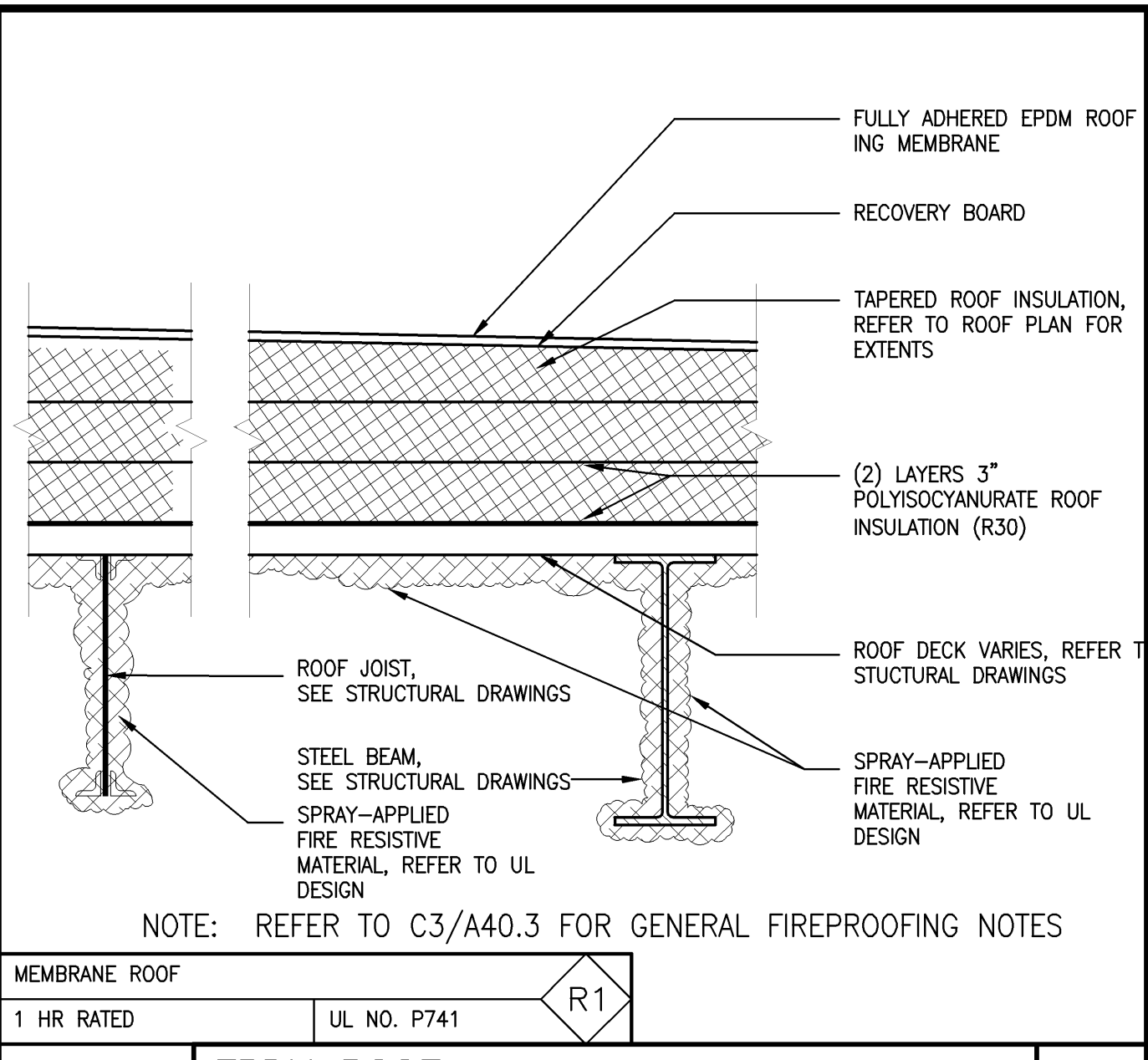
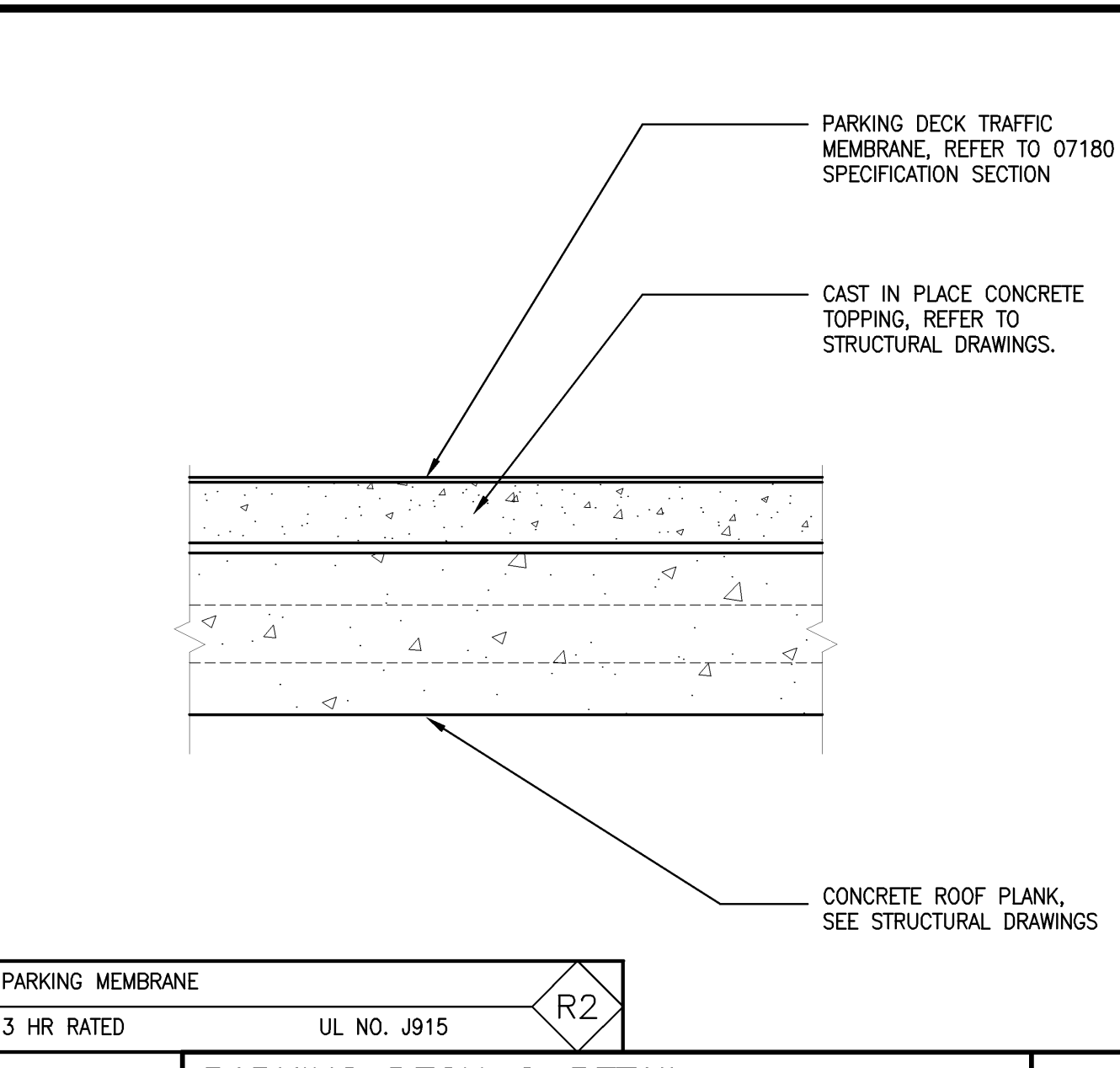


GENERAL NOTES:
1. SEE STRUCTURAL FOR PRECAST CONCRETE WALL TYPES.

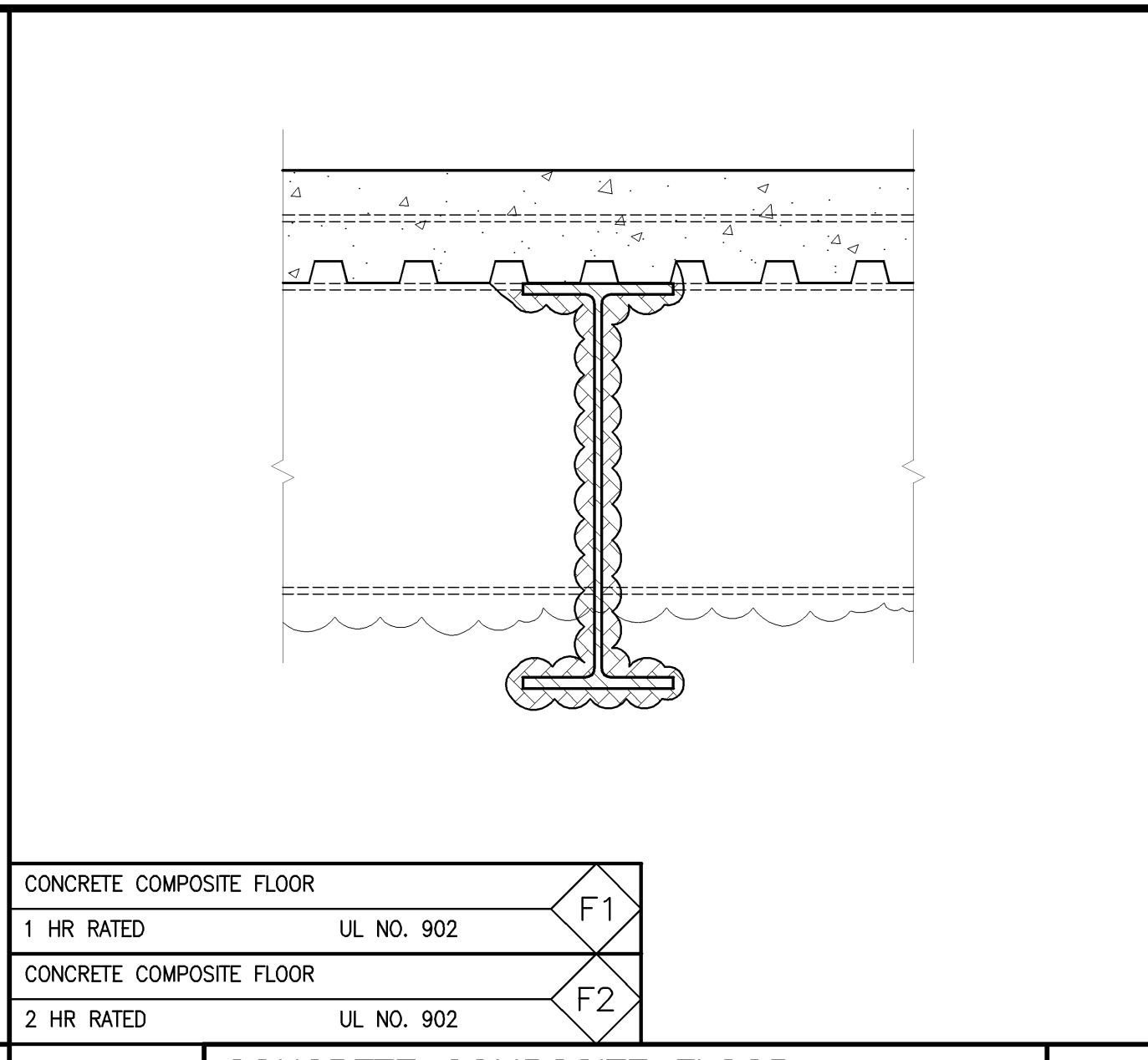
Mark	Date	Description
-	07.30.07	ISSUED FOR CONSTRUCTION
-	06.25.07	60% CONSTRUCTION DOCUMENTS
-	05.24.07	25% CONSTRUCTION DOCUMENTS
-	03.16.07	100% DESIGN DEVELOPMENT
-	03.16.07	100% DESIGN DEVELOPMENT
-	03.09.07	ELEVATOR PACKAGE
-	02.23.07	10% DESIGN DEVELOPMENT
-	02.07.07	SCHEMATIC DESIGN
-	02.06.07	AMENDED SITE PLAN REVIEW
-	01.26.07	M.E.P.F. R.F.P.
-	12.22.06	RESPONSE TO PLANNING COMMENTS



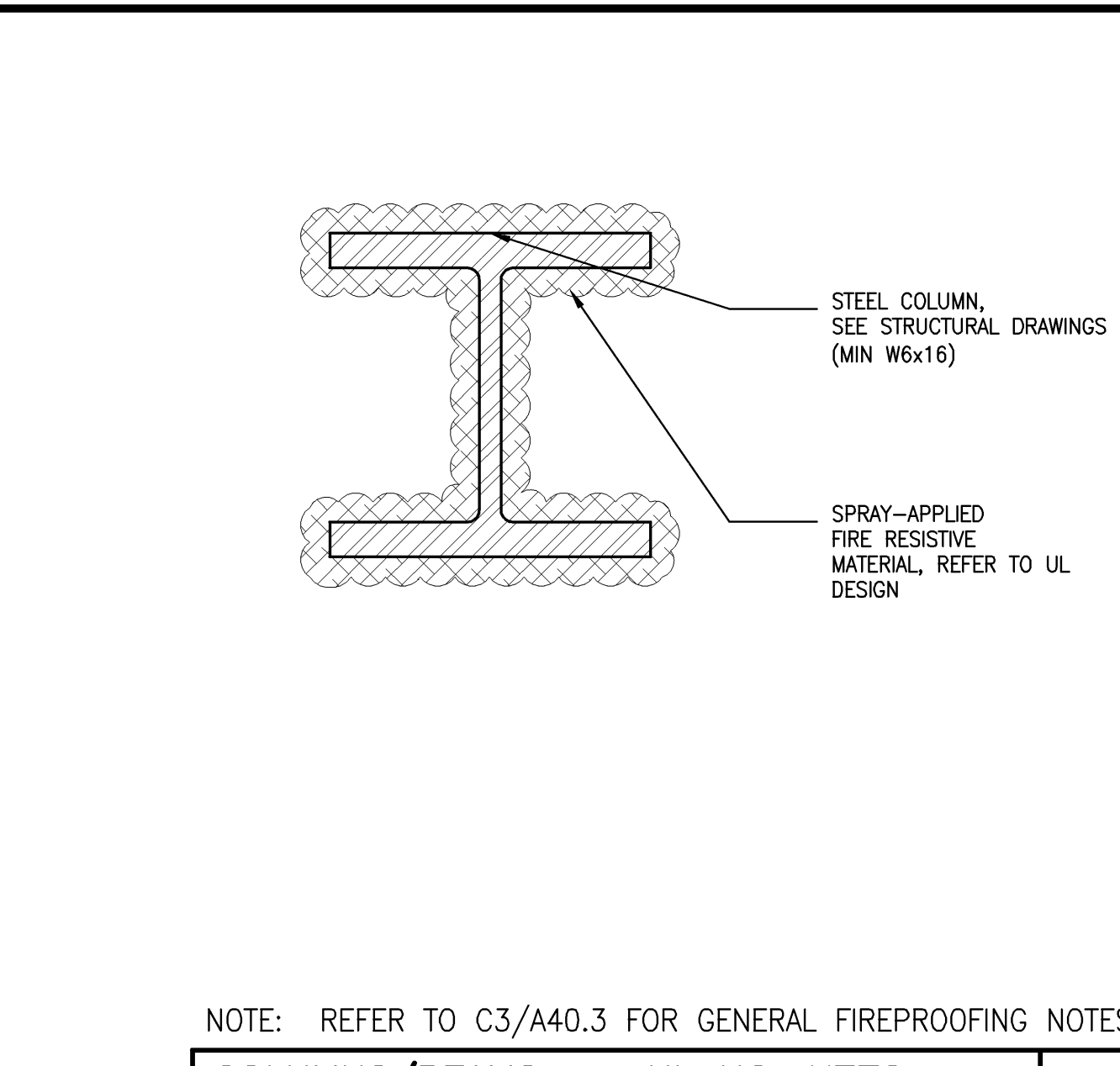
MEMBRANE ROOF
1 HR RATED
UL NO. P741
D1



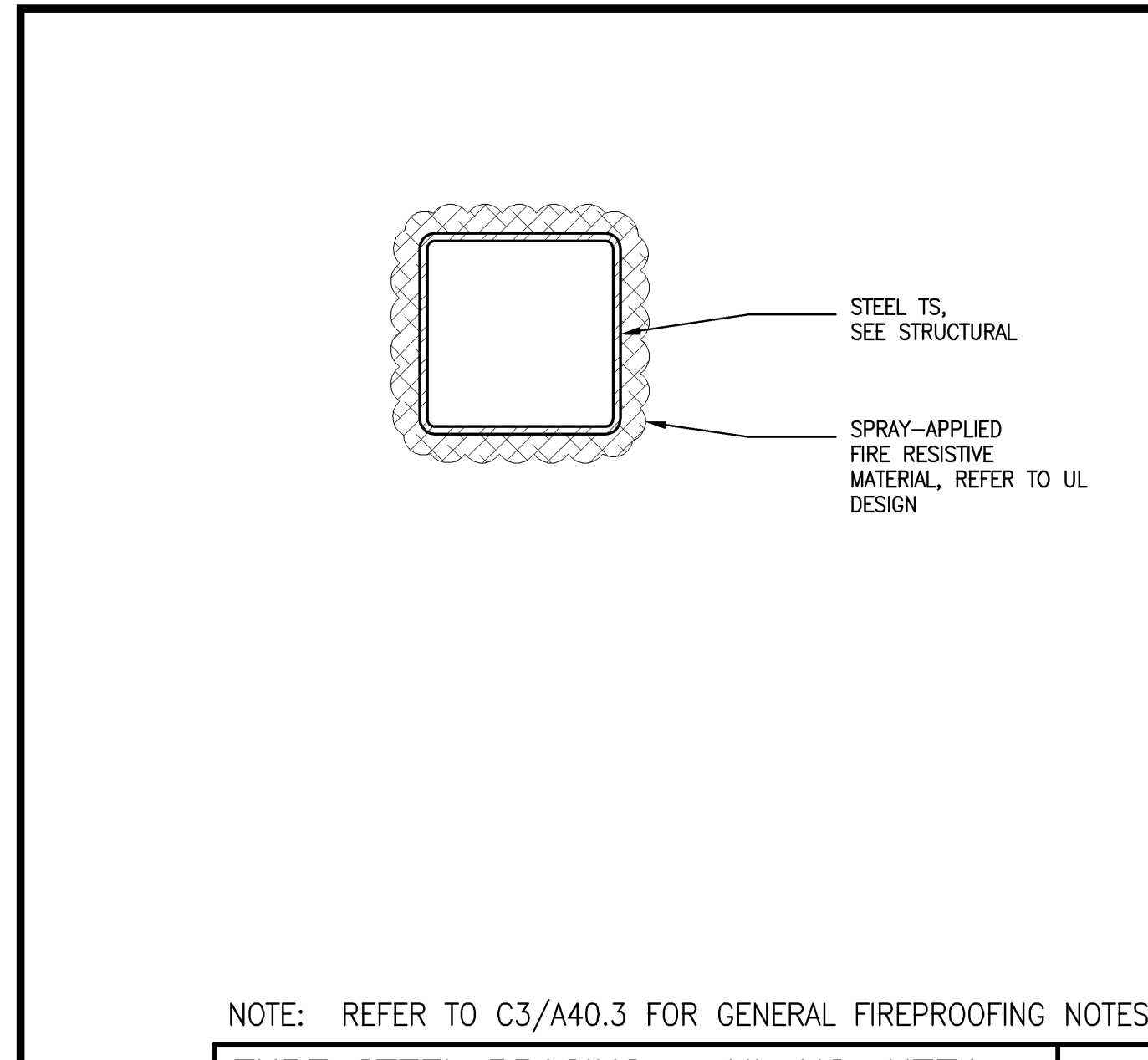
PARKING DECK • RETAIL
1 1/2\"/>



CONCRETE COMPOSITE FLOOR
1 1/2\"/>

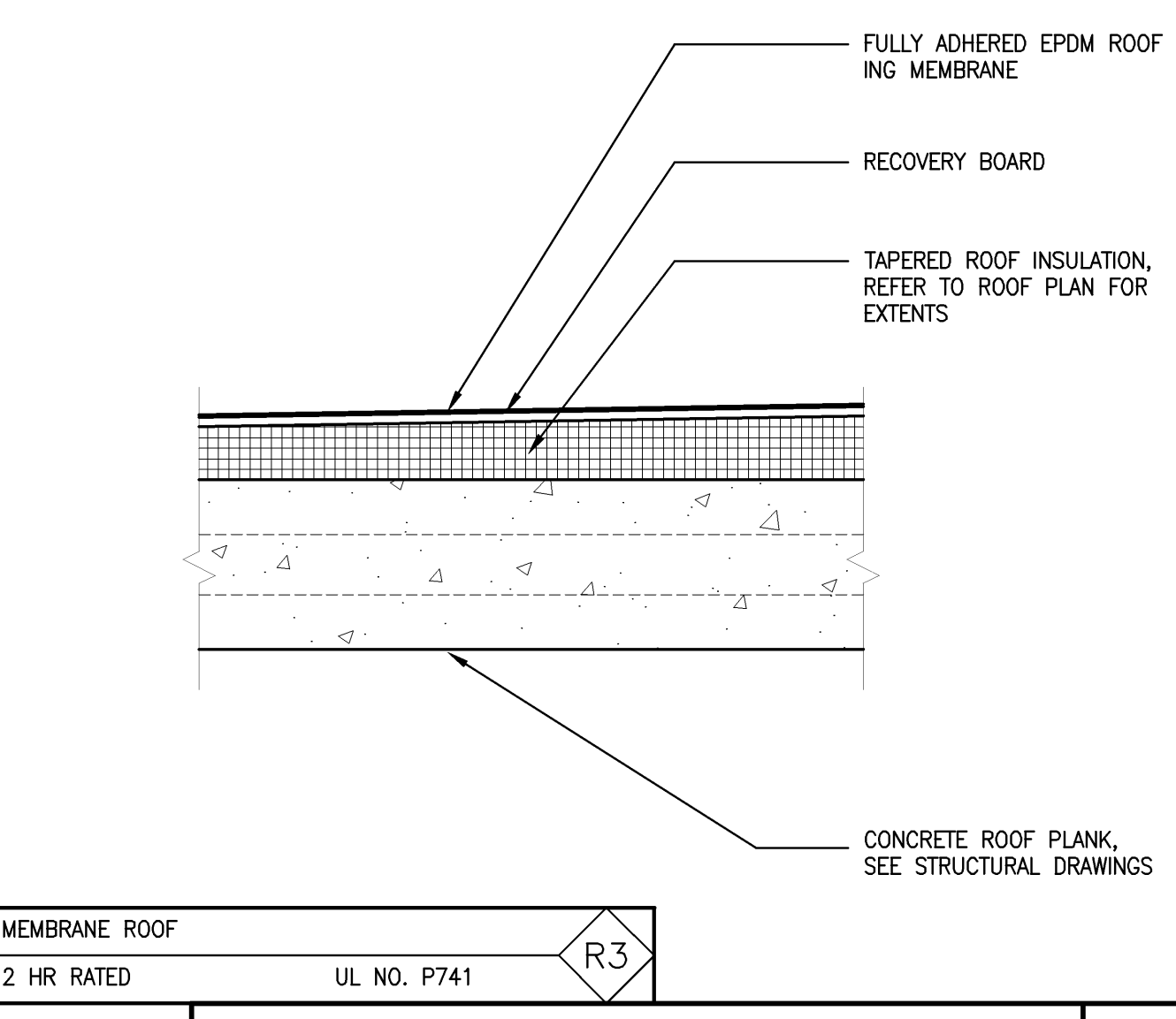


COLUMNS/BEAMS - UL NO. X772
NTS
0 4\"/>

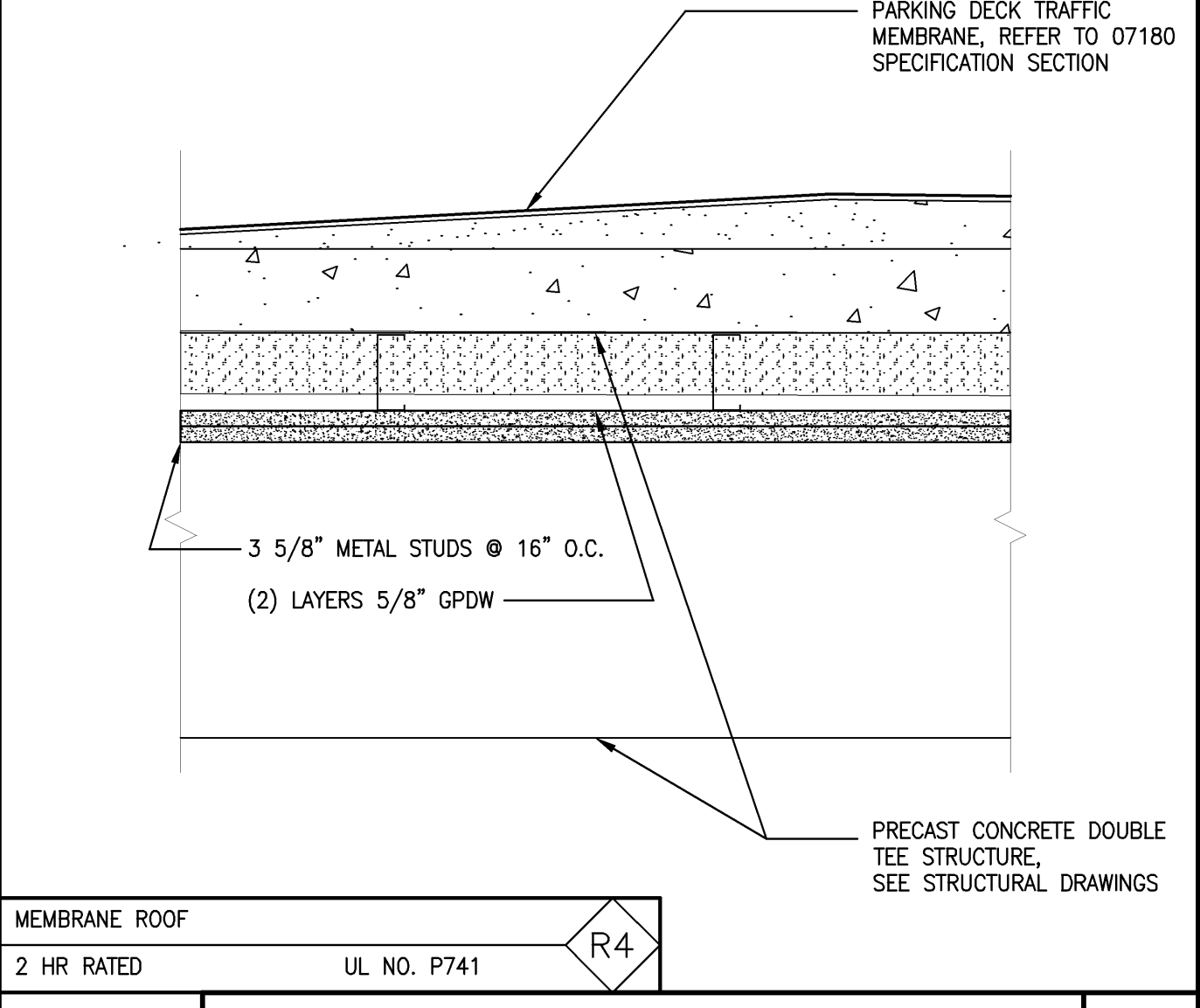


TUBE STEEL BRACING - UL NO. X771
NTS
0 4\"/>

GENERAL FIREPROOFING NOTES:
1) REFER TO DRAWINGS FOR REQUIRED HOURLY RATINGS OF INDIVIDUAL STRUCTURAL BUILDING ELEMENTS.
2) REFER TO THE LISTED U.L. DESIGN NUMBER FOR STRUCTURAL STEEL SIZE CRITERIA.
3) REFER TO THE LISTED U.L. DESIGN NUMBER FOR SPRAY-APPLIED FIRE RESISTANCE MATERIAL THICKNESSES.



MEMBRANE ROOF
2 HR RATED
UL NO. P741
C2



MEMBRANE ROOF
2 HR RATED
UL NO. P741
C1

GENERAL FIRE PROOFING NOTES
NTS.
REF: -
C3

GENERAL FIRE PROOFING NOTES
NTS.
REF: -
D5