

Mark	Date	Description
-	07.30.07	ISSUED FOR CONSTRUCTION
-	06.25.07	60% CONSTRUCTION DOCUMENTS
-	05.24.07	25% CONSTRUCTION DOCUMENTS
-	03.16.07	100% DESIGN DEVELOPMENT
-	03.16.07	100% DESIGN DEVELOPMENT
-	03.09.07	ELEVATOR PACKAGE
-	02.23.07	10% DESIGN DEVELOPMENT
-	02.07.07	SCHEMATIC DESIGN
-	02.06.07	AMENDED SITE PLAN REVIEW
-	01.26.07	M.E.P.F. R.F.P.
-	12.22.06	RESPONSE TO PLANNING COMMENTS

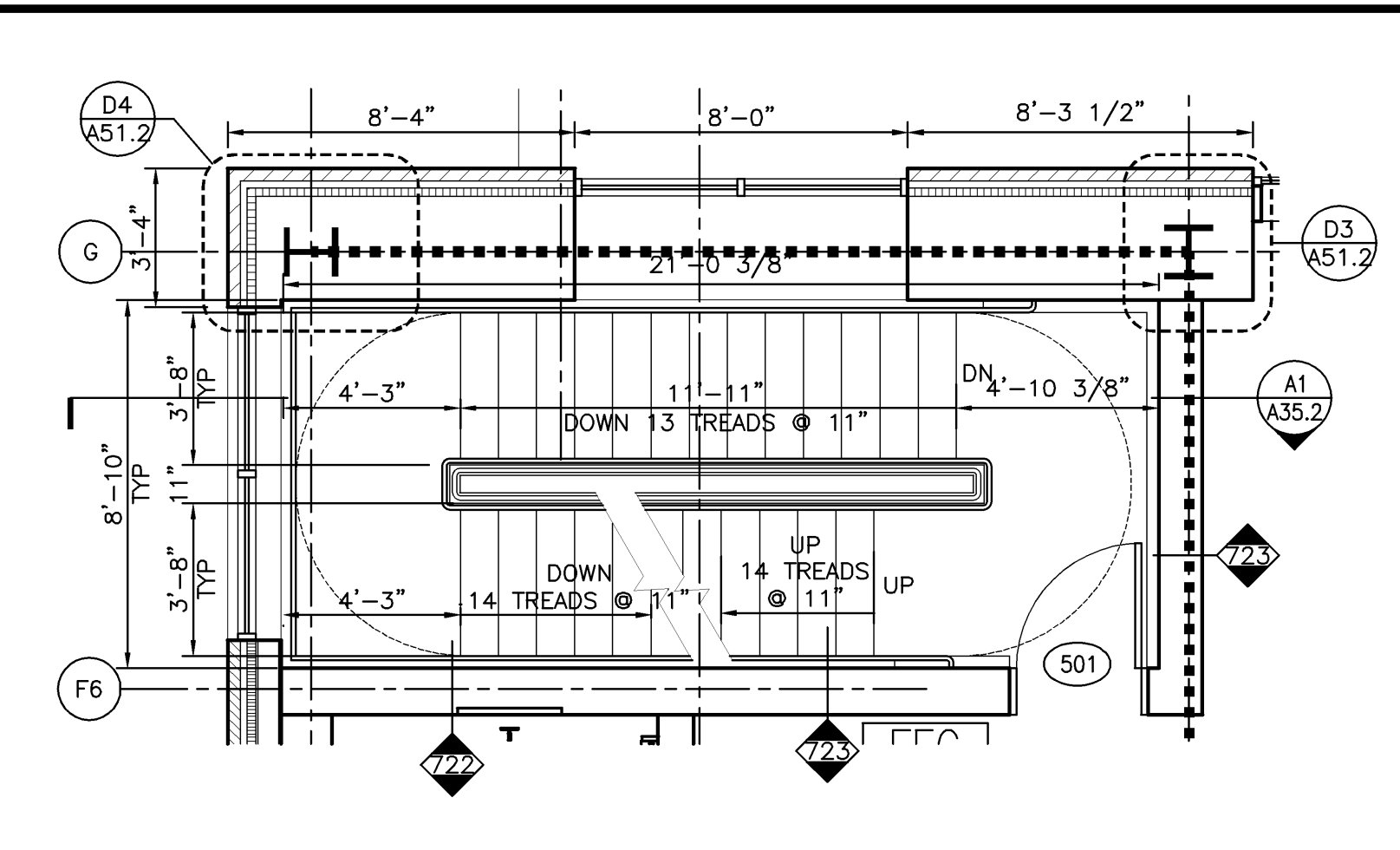
Drawing Status

Drawing Title
**STAIR PLANS,
& SECTIONS**

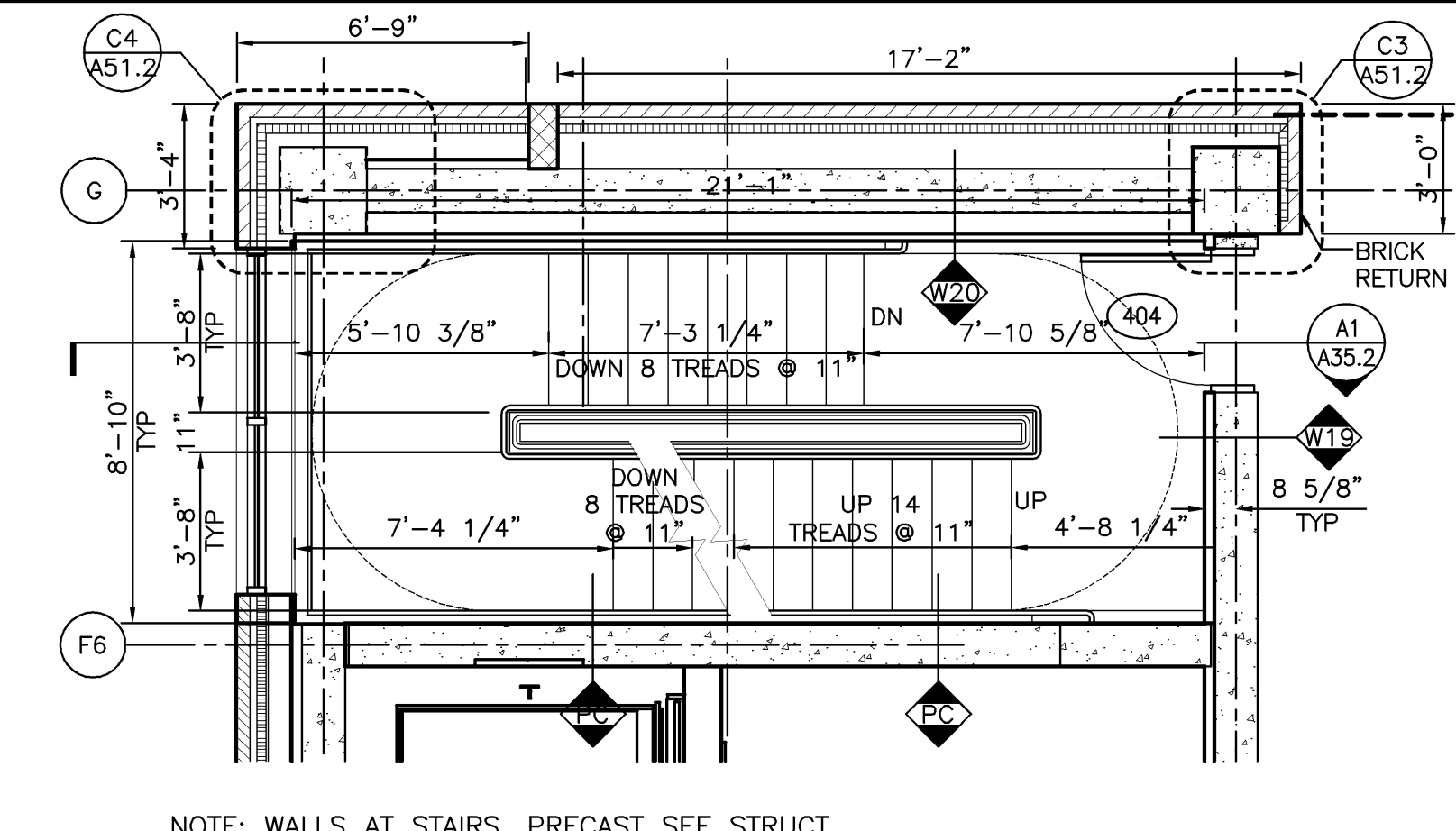
PA / PE: J/LJ Drawn By: MMO

Drawing Number

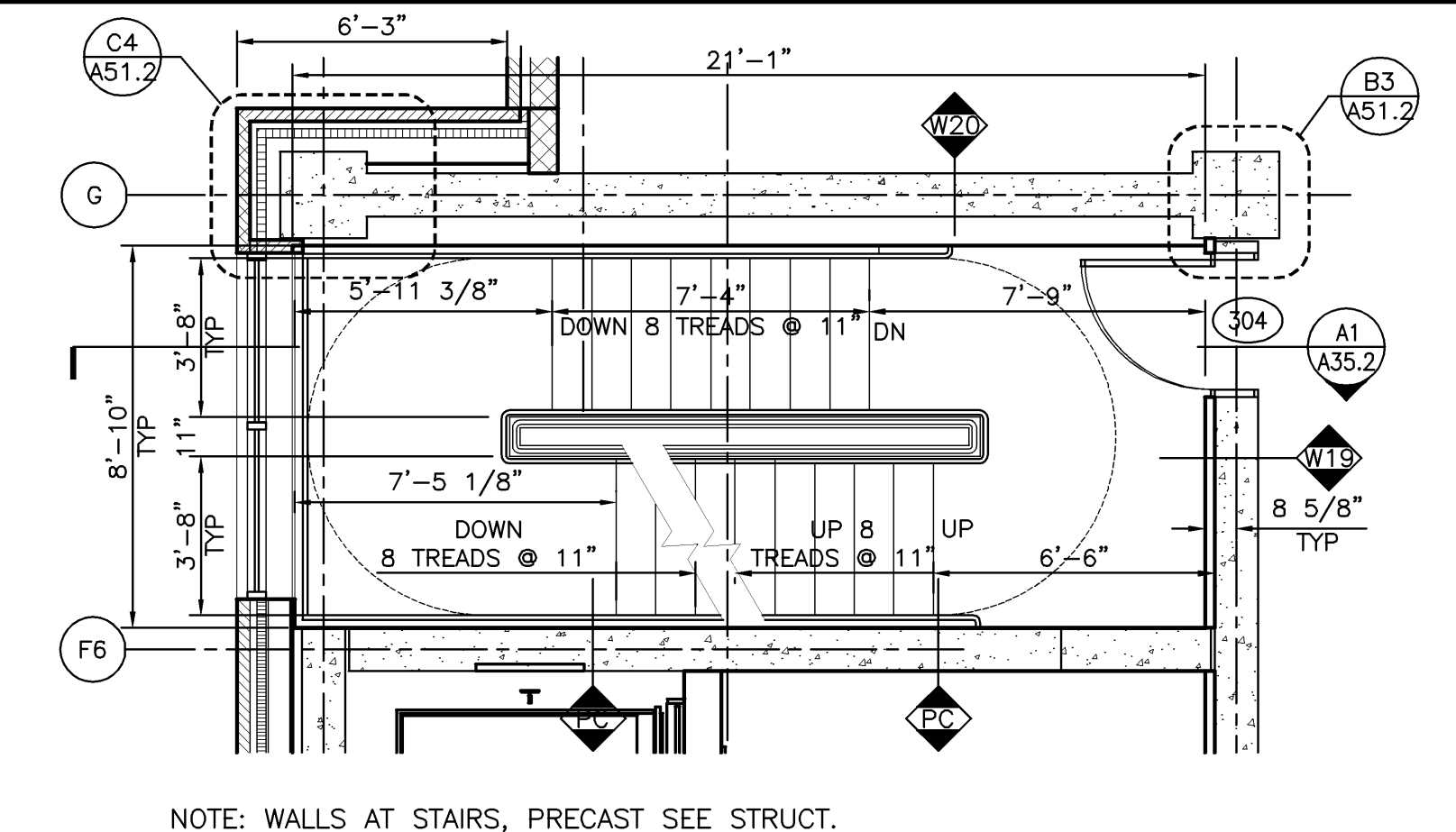
A35.2



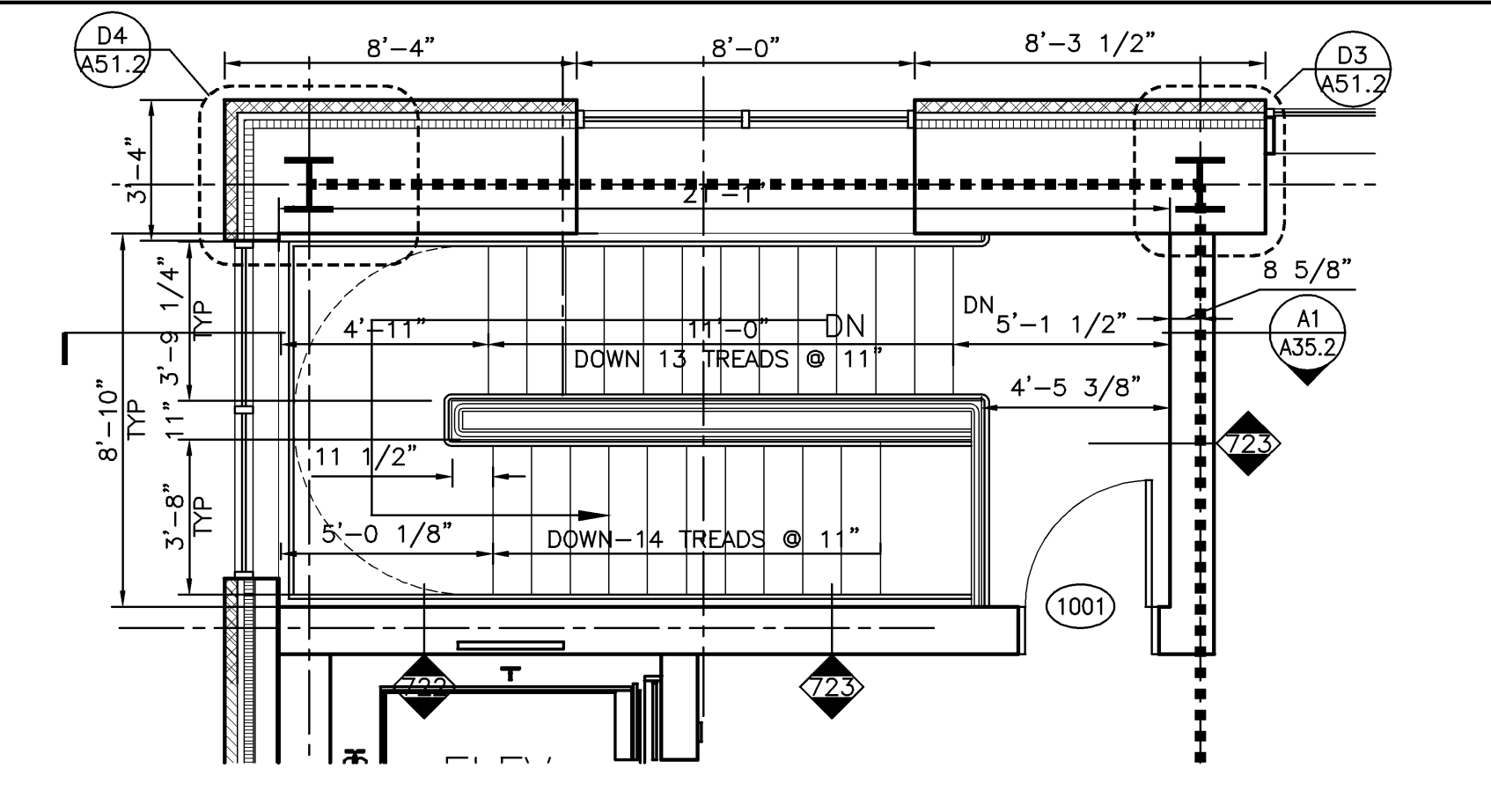
STAIR #1 FIFTH FLOOR PLAN
1/4" = 1'-0" REF: - **E2**



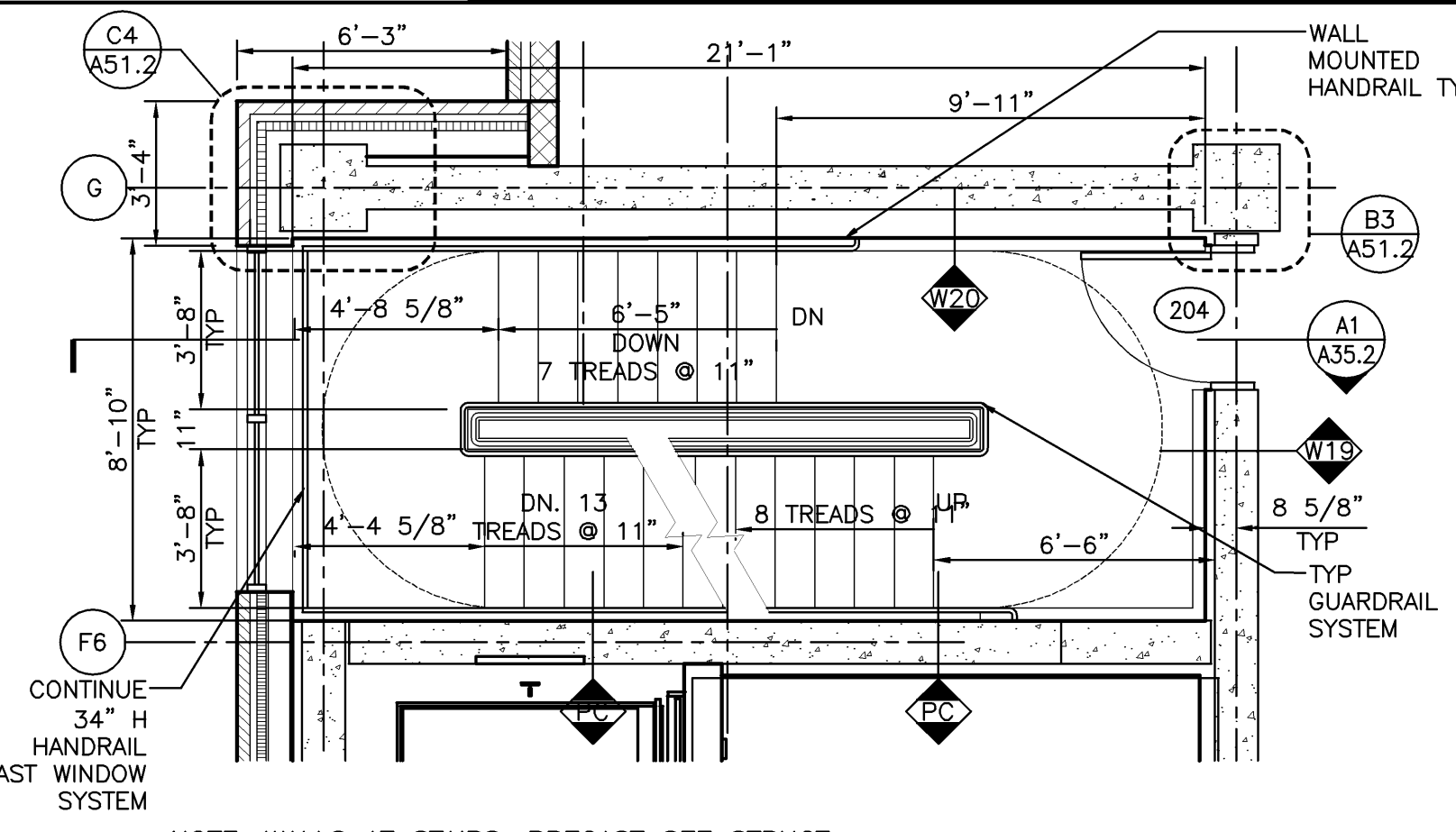
STAIR #1 FOURTH FLOOR PLAN
1/4" = 1'-0" REF: - **D2**



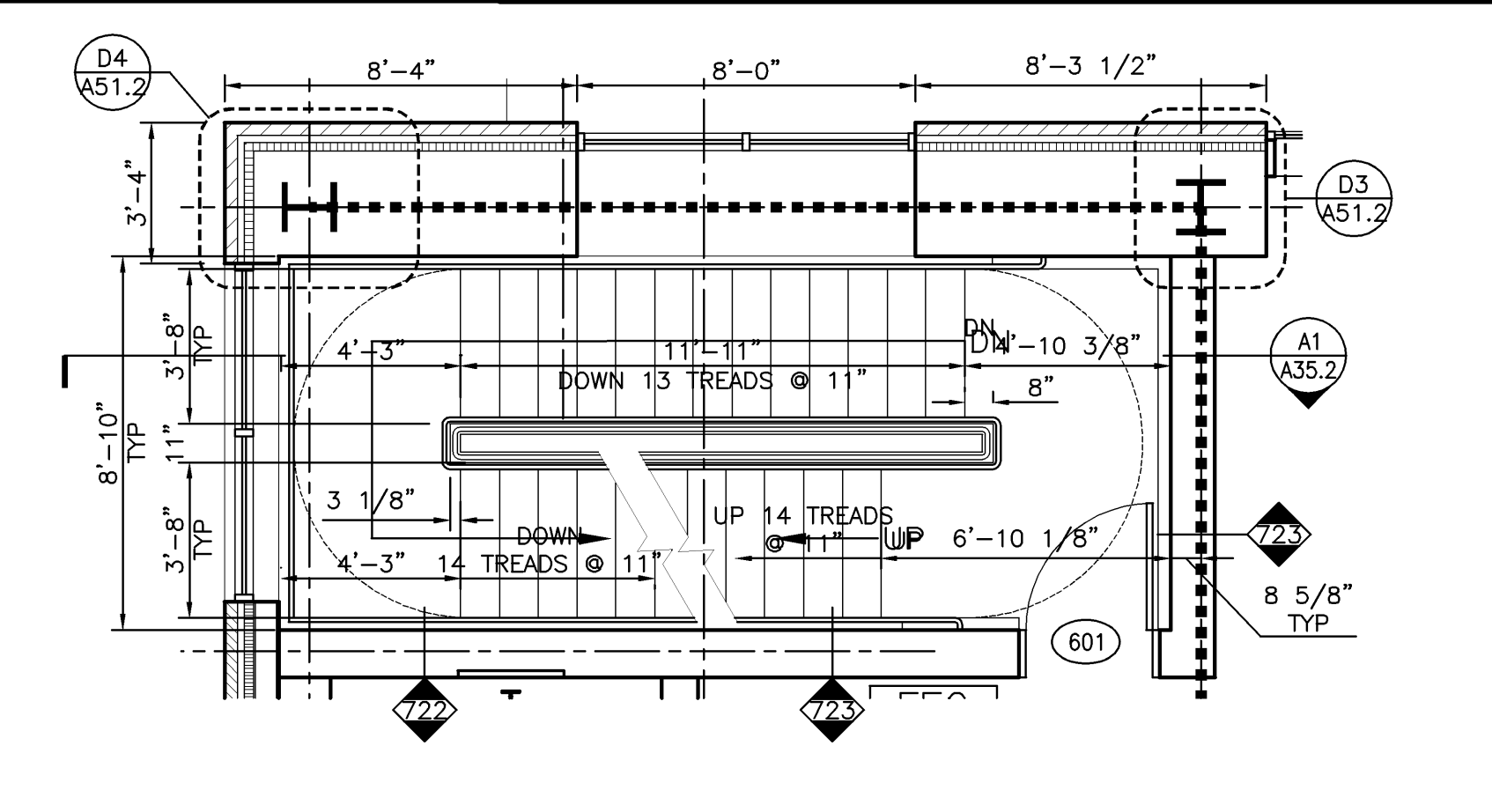
STAIR #1 THIRD FLOOR PLAN
1/4" = 1'-0" REF: - **C2**



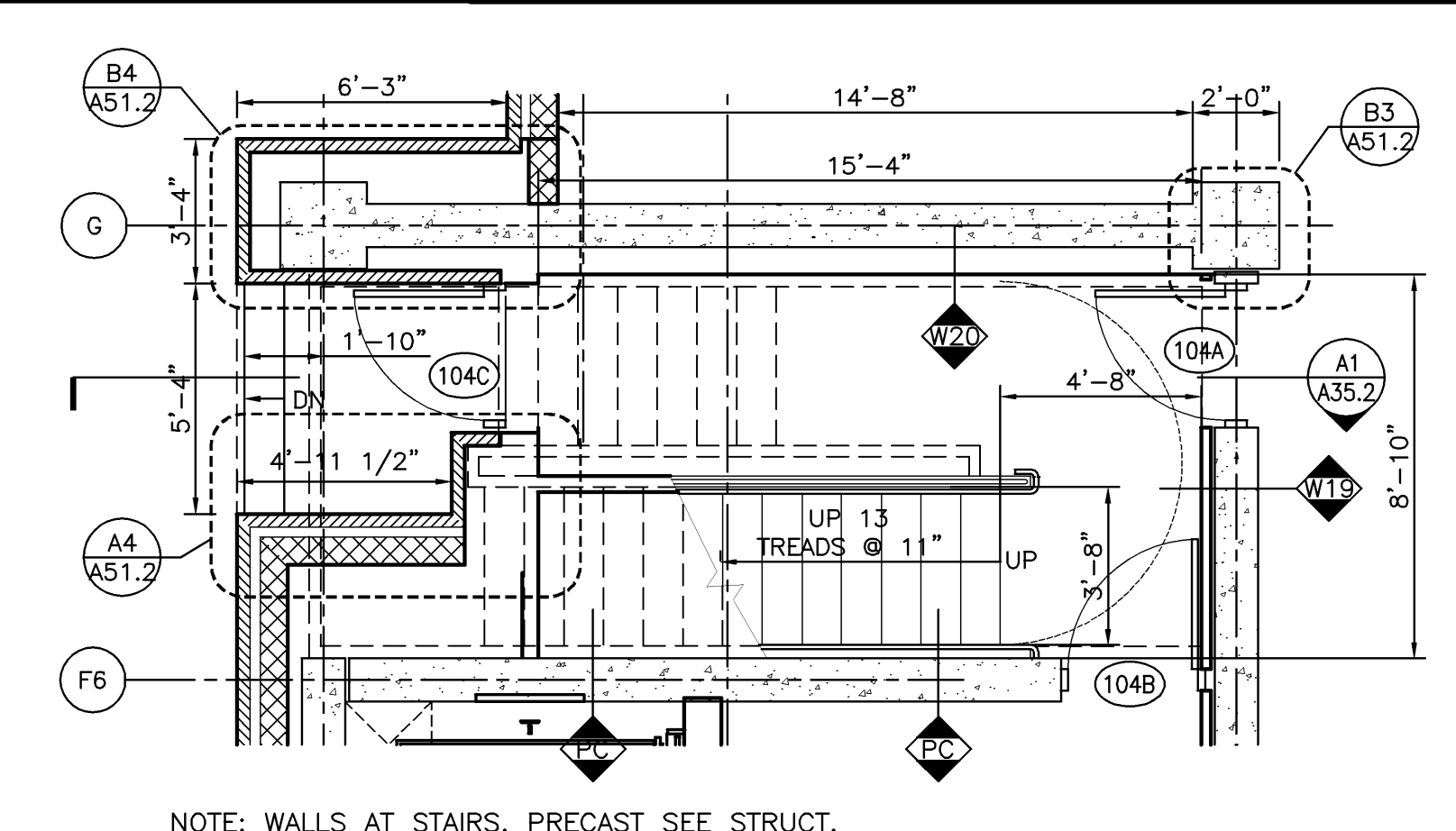
STAIR #1 TENTH FLOOR PLAN
1/4" = 1'-0" REF: - **B3**



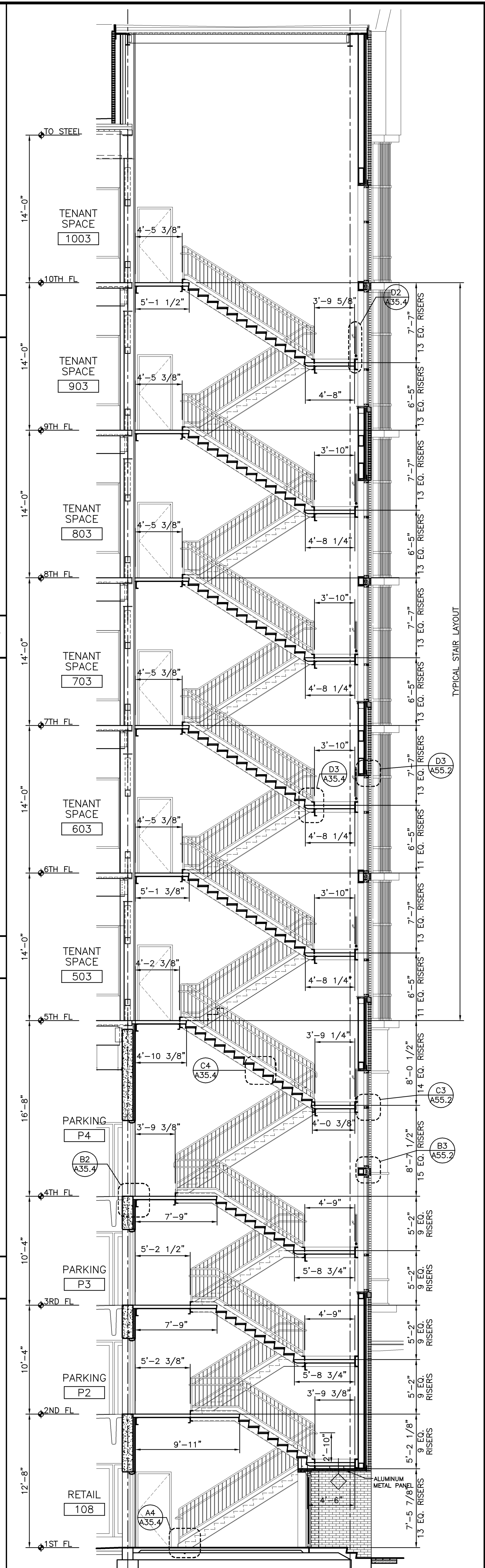
STAIR #1 SECOND FLOOR PLAN
1/4" = 1'-0" REF: - **B2**



STAIR #1 SIXTH THRU NINTH FLOOR PLAN
1/4" = 1'-0" REF: - **A3**



STAIR #1 FIRST FLOOR PLAN
1/4" = 1'-0" REF: - **A2**



STAIR No. 1 SECTION
3/16" = 1'-0" REF: - **A1**