

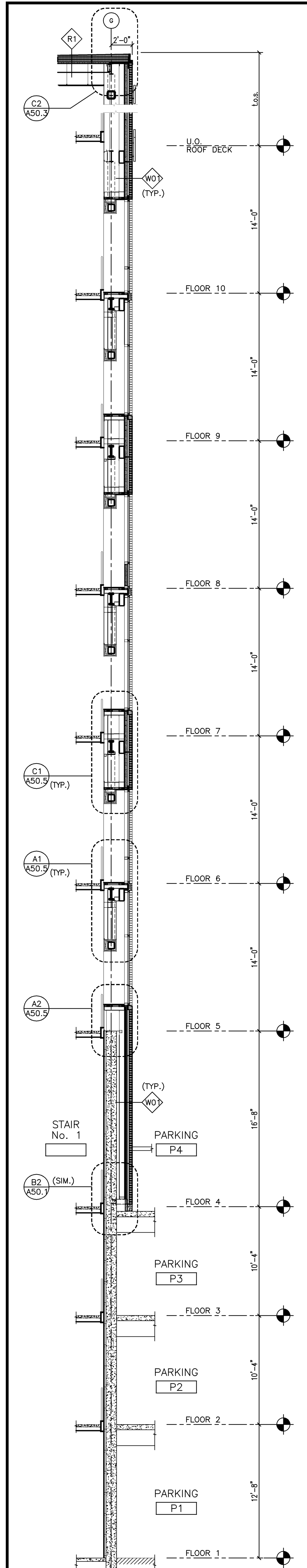
LEGEND
—◇— CONSTRUCTION SYSTEM MARKER, REFER TO A40.1, A40.2 & A40.3 FOR DETAILS

GENERAL NOTES

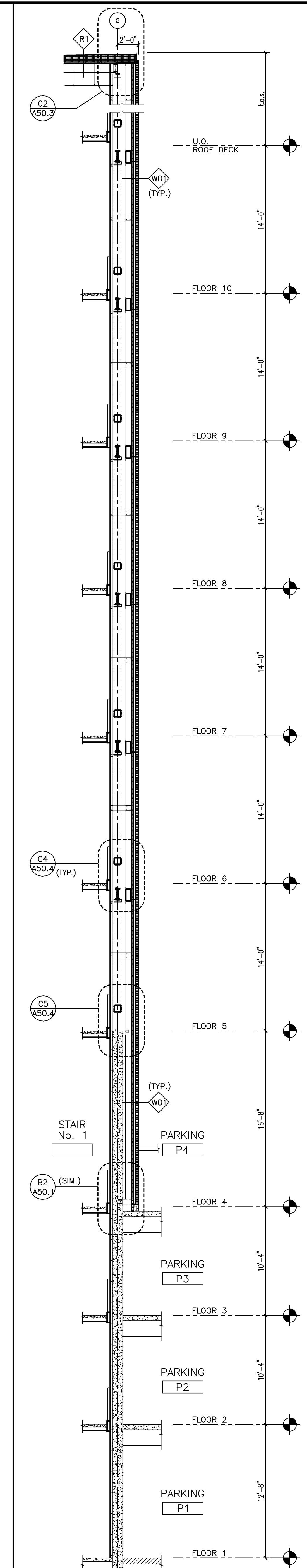
1. ALL STEEL - COLUMNS, BEAMS, CROSS BRACING TO BE SPRAYED WITH FIRE RESISTANT MATERIAL TO ACHIEVE A 1 HOUR RATING, REFER TO D4 & D5 A40.3 DRAWING FOR U.L. DESIGNS.
2. 5TH FLOOR STRUCTURE - CONCRETE, REINFORCING, AND FORM DECKING TO ACHIEVE A 2 HOUR RATING, REFER TO D3/A40.3 FOR U.L. DESIGN.
3. 6TH-10TH FLOOR STRUCTURES - CONCRETE, REINFORCING, AND FORM DECKING TO ACHIEVE A 1 HOUR RATING, REFER TO D3/A40.3 FOR U.L. DESIGN.
4. MAIN BUILDING ROOF STRUCTURES - METAL DECKING, STEEL FRAMING, AND ROOF JOISTS TO ACHIEVE A 1 HOUR RATING, REFER TO D1/A40.3 FOR U.L. DESIGN.
5. RETAIL TENANT ROOF STRUCTURE - CONCRETE PLANK AND TOPPING TO ACHIEVE A 3 HOUR RATING, REFER TO D2/A40.3 FOR U.L. DESIGN.
6. STAIR NO. 3 ROOF STRUCTURE - CONCRETE PLANK TO ACHIEVE A 2 HOUR RATING, REFER TO C2/A40.3 FOR U.L. DESIGN.

Mark	Date	Description
-	07.30.07	ISSUED FOR CONSTRUCTION
-	06.25.07	60% CONSTRUCTION DOCUMENTS
-	05.24.07	25% CONSTRUCTION DOCUMENTS
-	03.16.07	100% DESIGN DEVELOPMENT
-	03.16.07	100% DESIGN DEVELOPMENT
-	03.09.07	ELEVATOR PACKAGE
-	02.23.07	10% DESIGN DEVELOPMENT
-	02.07.07	SCHEMATIC DESIGN
-	02.06.07	AMENDED SITE PLAN REVIEW
-	01.26.07	M.E.P.F. R.F.P.
-	12.22.06	RESPONSE TO PLANNING COMMENTS

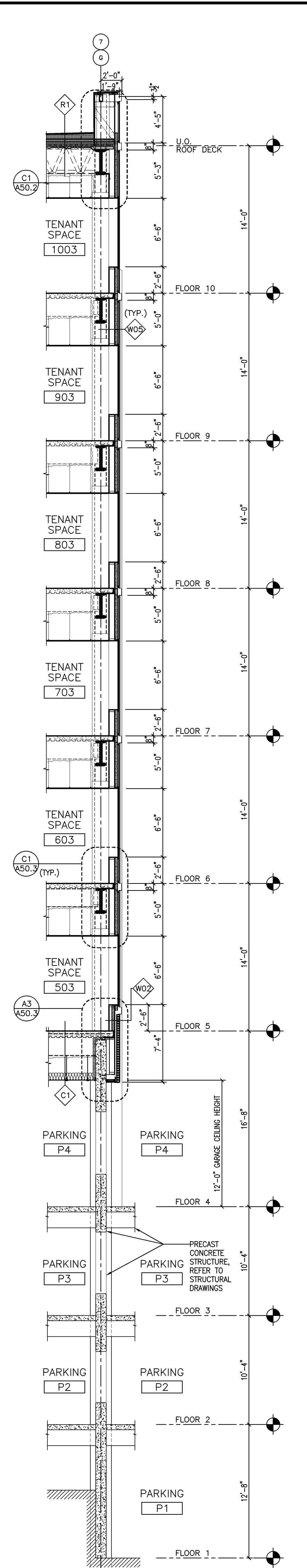
Drawing Status



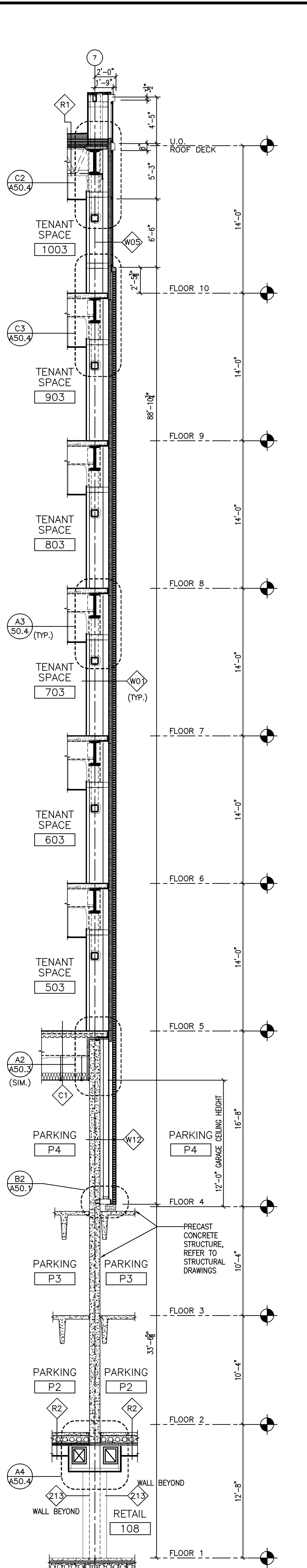
A6 WALL SECTION - 3/16" = 1'-0" REF: A20.4



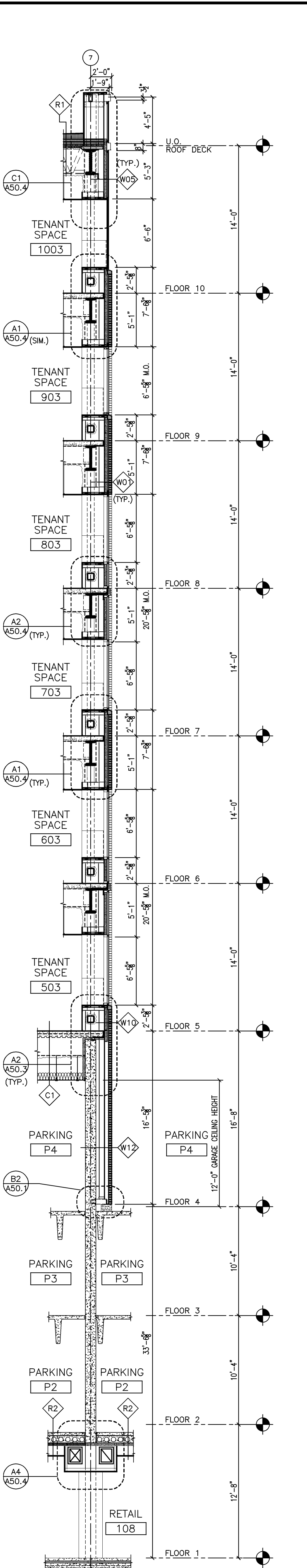
A5 WALL SECTION - 3/16" = 1'-0" REF: A20.4



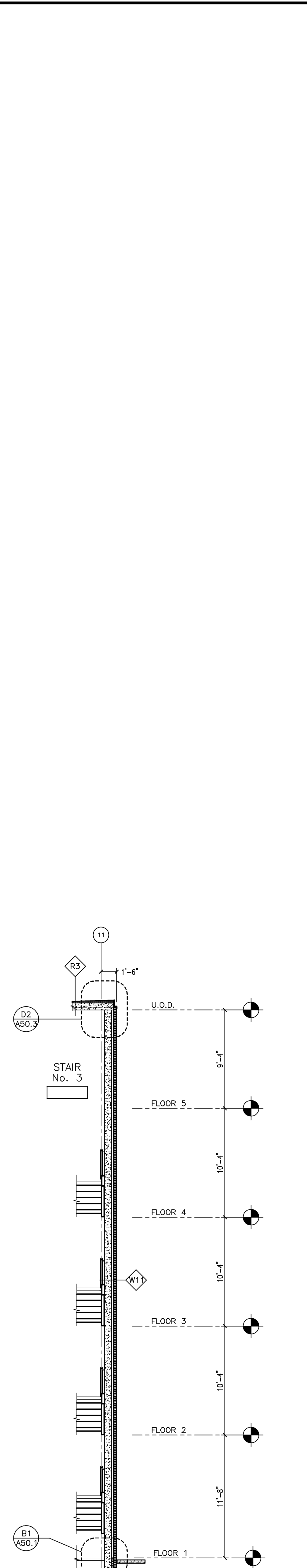
A4 WALL SECTION - 3/16" = 1'-0" REF: A20.3



A3 WALL SECTION - 3/16" = 1'-0" REF: A20.3



A2 WALL SECTION - 3/16" = 1'-0" REF: A20.3



A1 WALL SECTION - 3/16" = 1'-0" REF: A20.3