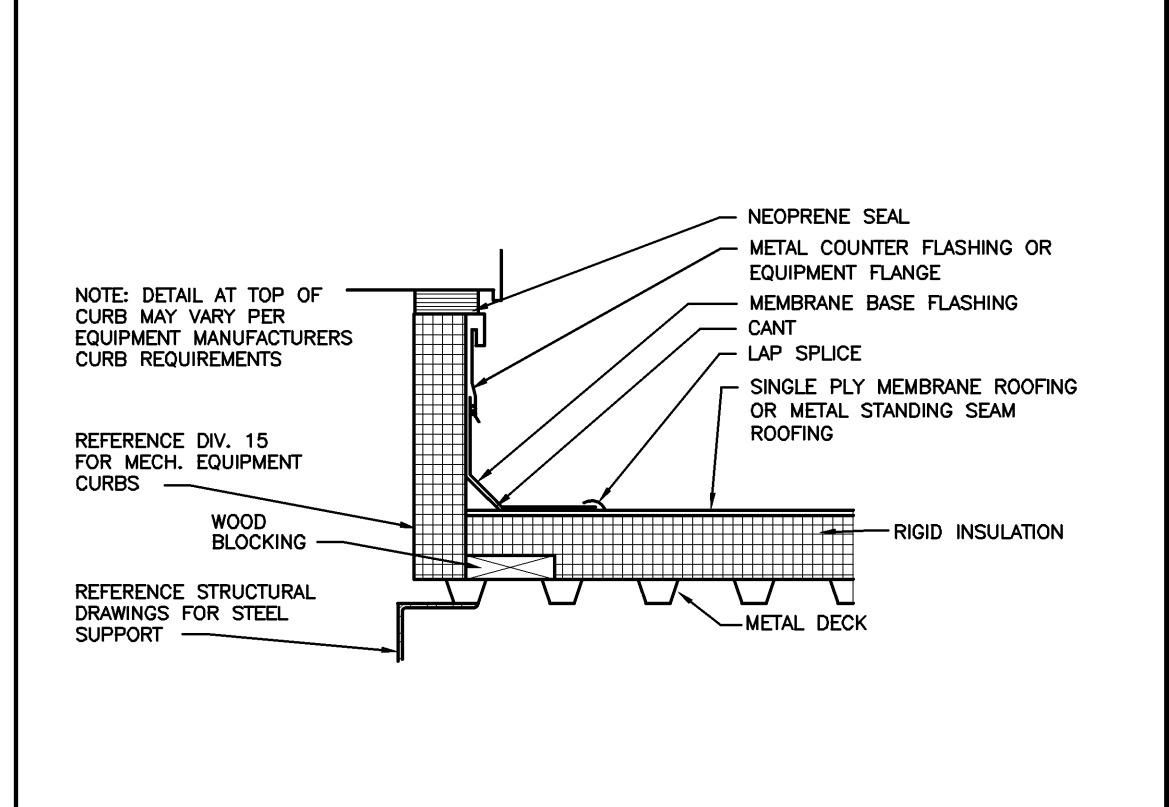
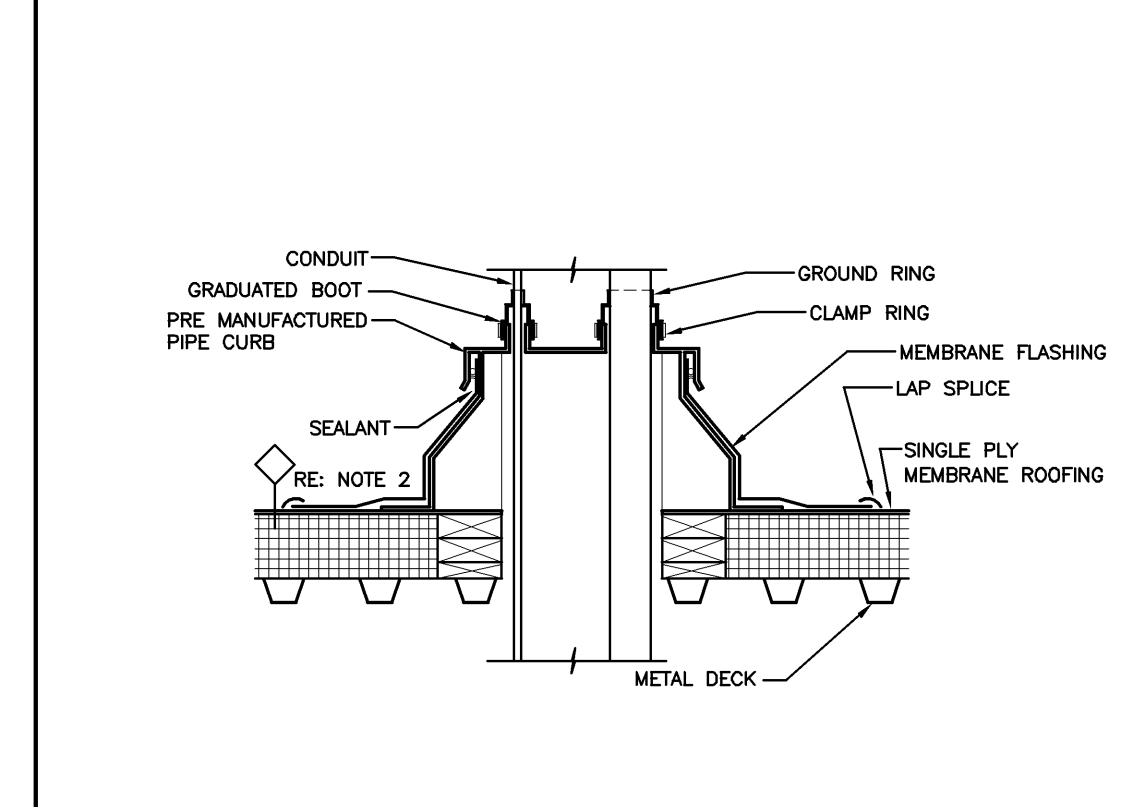


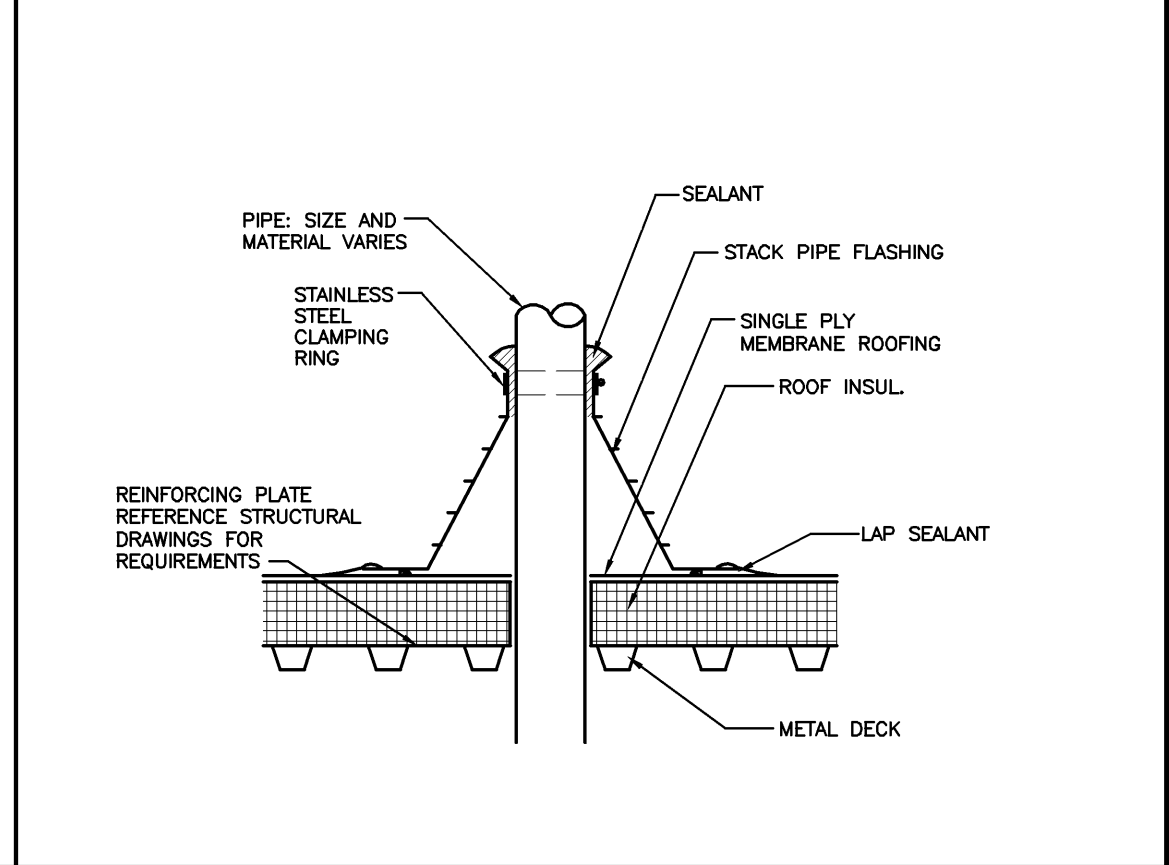
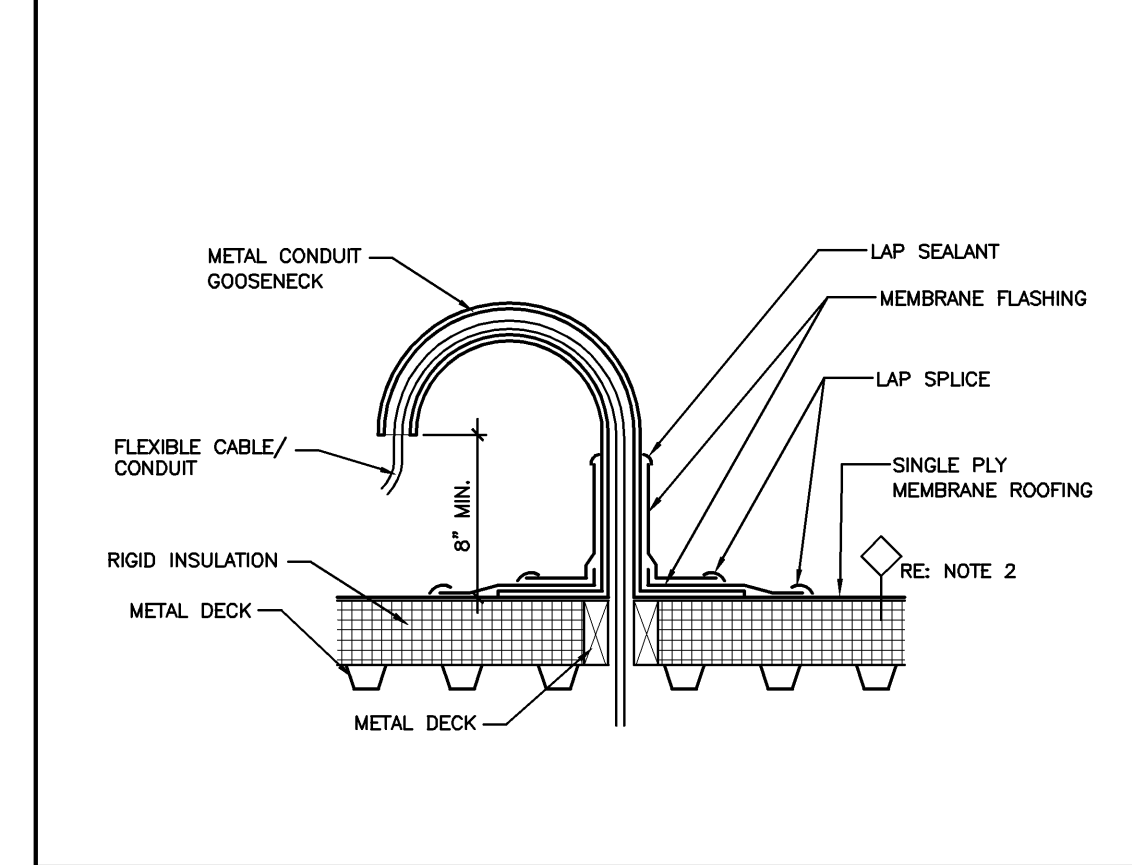
DUCT PENETRATION DETAIL
1" = 1'-0" REF:

EQUIPMENT SLEEPER
1" = 1'-0" REF:



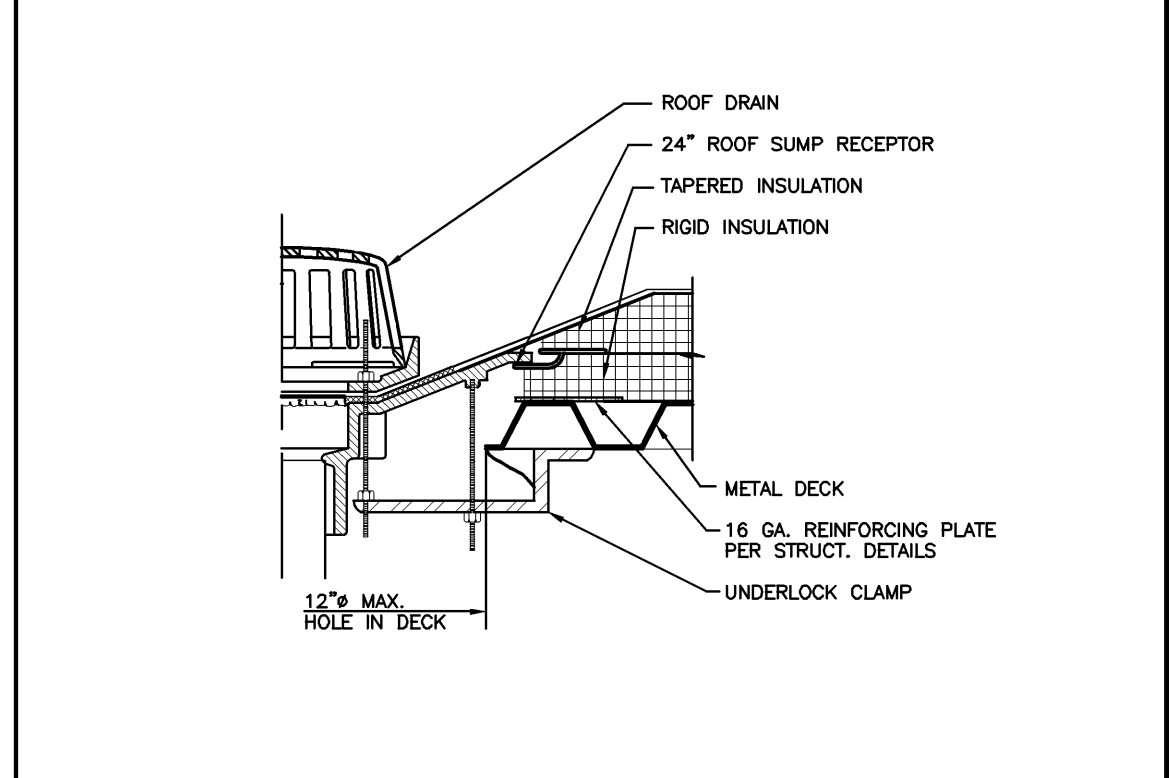
MULTIPLE PENETRATION DETAIL
1" = 1'-0" REF:

EXHAUST FAN CURB
1" = 1'-0" REF:

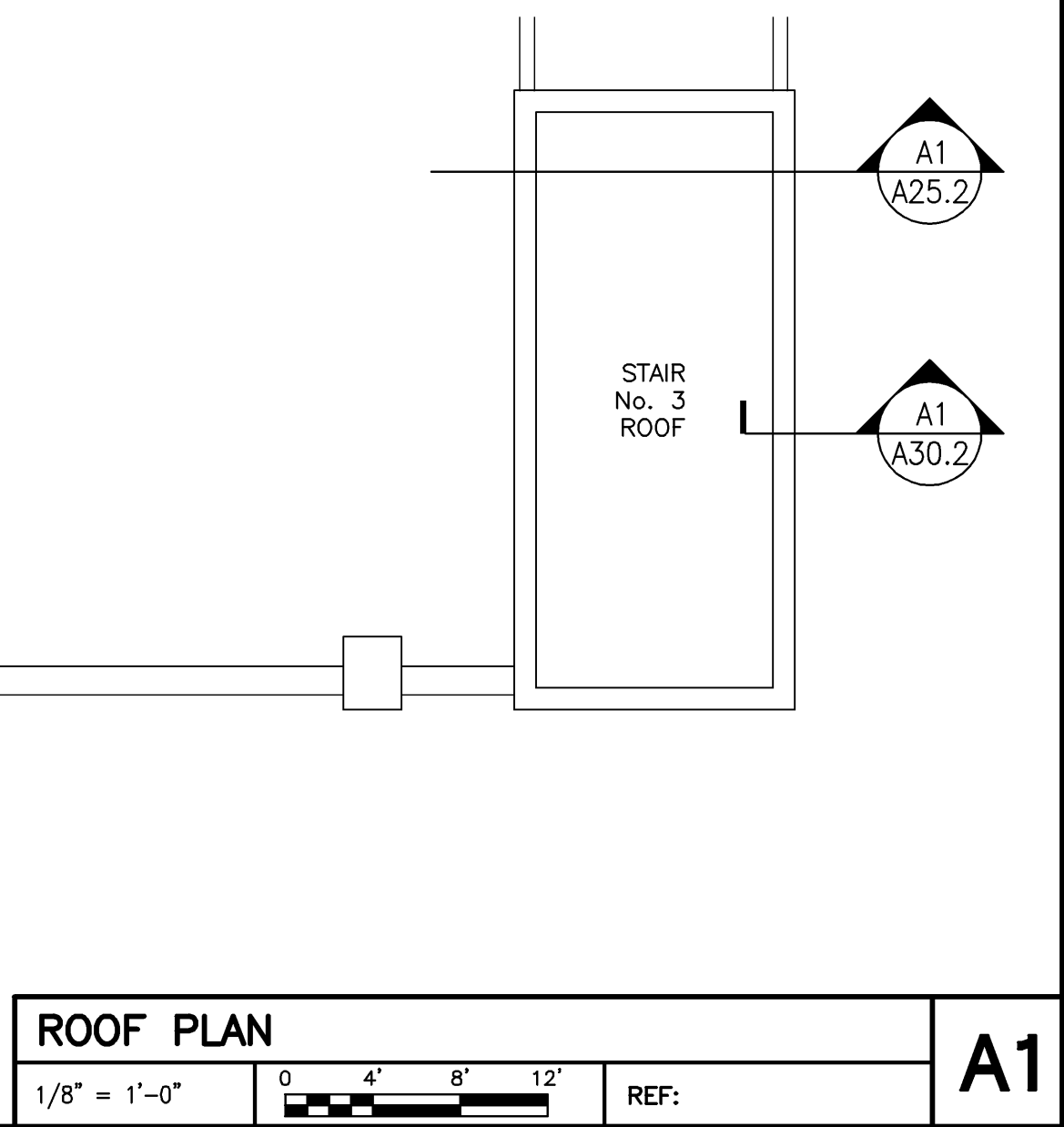


CONDUIT/CABLE PENETRATION DETAIL
1" = 1'-0" REF:

PIPING PENETRATION DETAIL
1" = 1'-0" REF:



ROOF DRAIN DETAIL
1" = 1'-0" REF:



ROOF PLAN
1/8" = 1'-0" REF:

pizzagalli
CONSTRUCTION COMPANY

Architects + Engineers

HARRIMAN ASSOCIATES

One Auburn Business Park
Auburn, Maine 04210
207.784.5100 fax
207.783.3017 fax

66 Pearl St., Suite 301
Portland, Maine 04101
207.775.0053 fax
207.775.0460 fax

www.harriman.com

© 2006

STATE OF MAINE
LICENSED ARCHITECT
JUDY JOHNSON
No. 2006

Project Title

84 MARGINAL WAY
Portland, Maine

HA Project No. **06196**

Key Plan

Office Bldg. Parking

Mark	Date	Description
-	07.30.07	ISSUED FOR CONSTRUCTION
-	06.25.07	60% CONSTRUCTION DOCUMENTS
-	05.24.07	25% CONSTRUCTION DOCUMENTS
-	03.16.07	100% DESIGN DEVELOPMENT
-	03.16.07	100% DESIGN DEVELOPMENT
-	03.09.07	ELEVATOR PACKAGE
-	02.23.07	10% DESIGN DEVELOPMENT
-	02.07.07	SCHEMATIC DESIGN
-	02.06.07	AMENDED SITE PLAN REVIEW
-	01.26.07	M.E.P.F. R.F.P.
-	12.22.06	RESPONSE TO PLANNING COMMENTS

Mark	Date	Description
-	07.30.07	ISSUED FOR CONSTRUCTION
-	06.25.07	60% CONSTRUCTION DOCUMENTS
-	05.24.07	25% CONSTRUCTION DOCUMENTS
-	03.16.07	100% DESIGN DEVELOPMENT
-	03.16.07	100% DESIGN DEVELOPMENT
-	03.09.07	ELEVATOR PACKAGE
-	02.23.07	10% DESIGN DEVELOPMENT
-	02.07.07	SCHEMATIC DESIGN
-	02.06.07	AMENDED SITE PLAN REVIEW
-	01.26.07	M.E.P.F. R.F.P.
-	12.22.06	RESPONSE TO PLANNING COMMENTS

Mark	Date	Description
-	07.30.07	ISSUED FOR CONSTRUCTION
-	06.25.07	60% CONSTRUCTION DOCUMENTS
-	05.24.07	25% CONSTRUCTION DOCUMENTS
-	03.16.07	100% DESIGN DEVELOPMENT
-	03.16.07	100% DESIGN DEVELOPMENT
-	03.09.07	ELEVATOR PACKAGE
-	02.23.07	10% DESIGN DEVELOPMENT
-	02.07.07	SCHEMATIC DESIGN
-	02.06.07	AMENDED SITE PLAN REVIEW
-	01.26.07	M.E.P.F. R.F.P.
-	12.22.06	RESPONSE TO PLANNING COMMENTS

Drawing Status

Drawing Title

ROOF PLAN & DETAILS

PA / PE: J/LJ Drawn By: LG

Drawing Number

A15.1