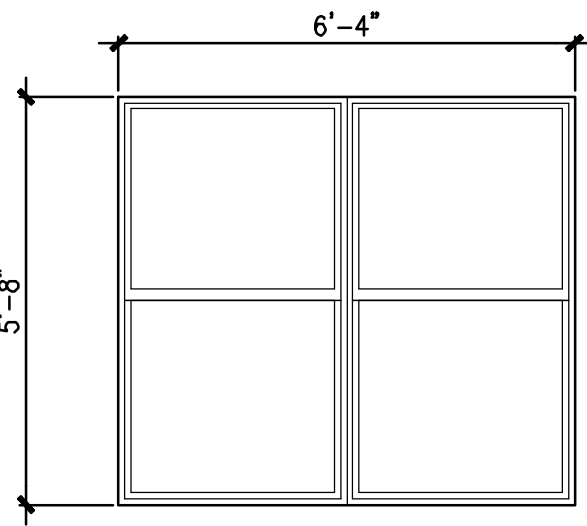


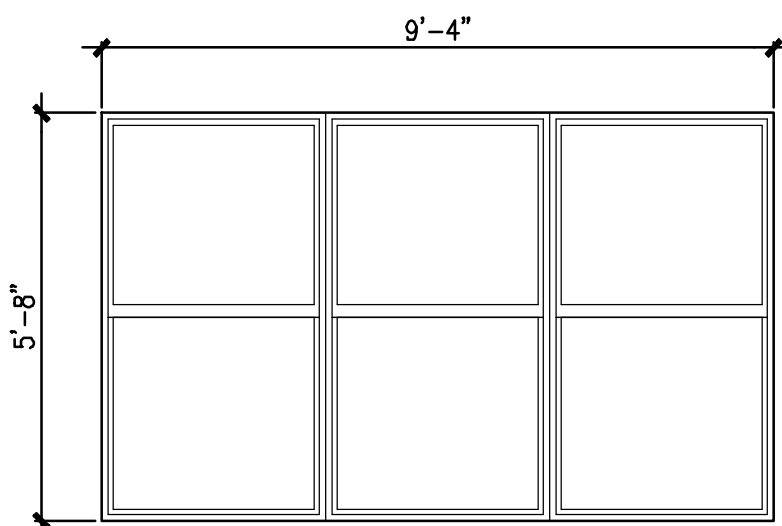
EXTERIOR
A
 SINGLE-HUNG VINYL WINDOW ASSEMBLY,
 EQUAL TO PARADIGM 8381 SERIES
 NEW CONSTRUCTION

1 ELEVATIONS & DETAILS @ WINDOW TYPE "A"
 REFERENCED FROM: SCALE: 3/8" = 1'-0"



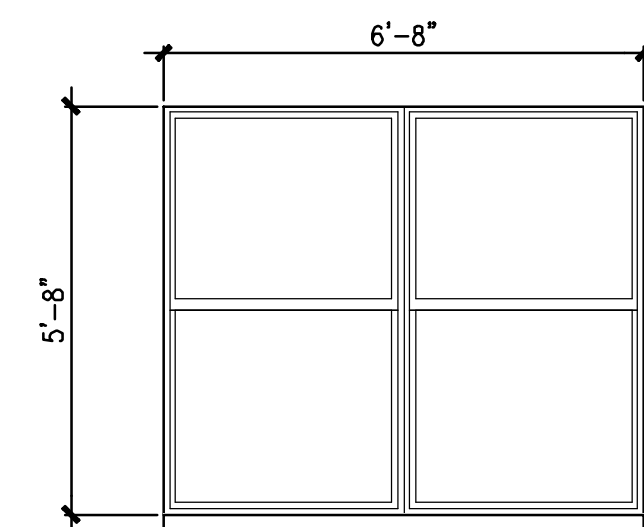
EXTERIOR
B
 SINGLE-HUNG PAIR VINYL WINDOW ASSEMBLY,
 EQUAL TO PARADIGM 8381 SERIES
 NEW CONSTRUCTION

5 ELEVATIONS & DETAILS @ WINDOW TYPE "B"
 REFERENCED FROM: SCALE: 3/8" = 1'-0"



EXTERIOR
D
 SINGLE-HUNG TRIPLE VINYL WINDOW ASSEMBLY,
 EQUAL TO PARADIGM 8381 SERIES
 NEW CONSTRUCTION

9 ELEVATIONS & DETAILS @ WINDOW TYPE "C"
 REFERENCED FROM: SCALE: 3/8" = 1'-0"



EXTERIOR
E
 SINGLE-HUNG PAIR VINYL WINDOW ASSEMBLY,
 EQUAL TO PARADIGM 8381 SERIES
 NEW CONSTRUCTION

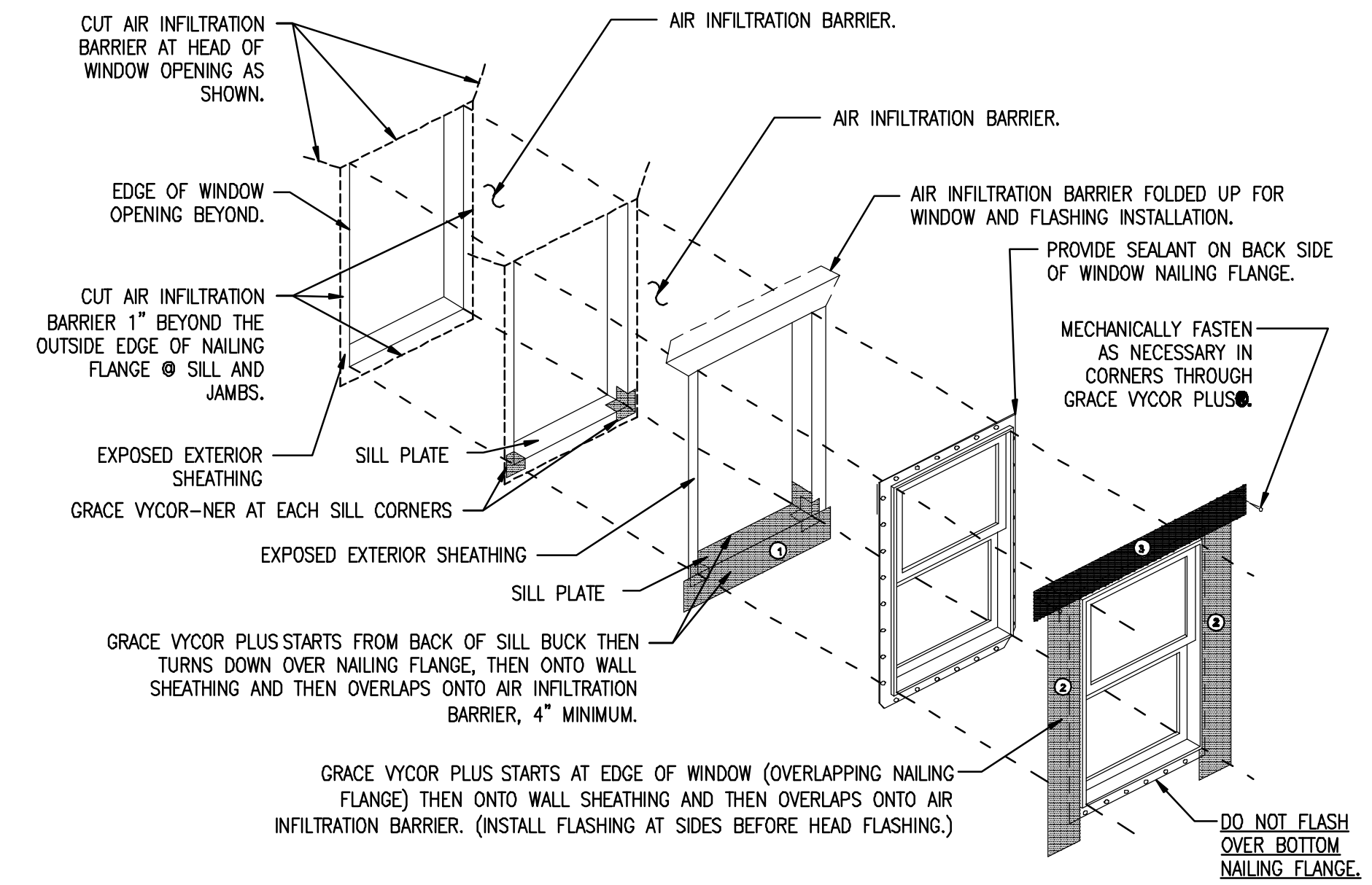
13 DETAIL @
 REFERENCED FROM: SCALE: 3/8" = 1'-0"

3 DETAIL @
 REFERENCED FROM: SCALE:

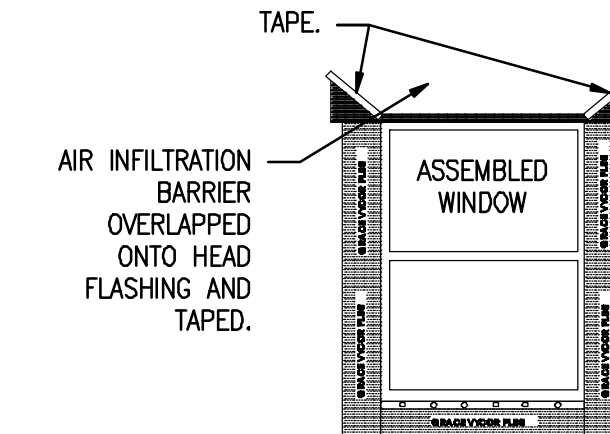
7 DETAIL @
 REFERENCED FROM: SCALE:

11 DETAIL @
 REFERENCED FROM: SCALE:

15 DETAIL @
 REFERENCED FROM: SCALE:



- NOTES:
 A. INSTALL AIR INFILTRATION BARRIER AS SPECIFIED.
 B. INSTALL GRACE VYCOR PLUS IN ORDER AS SHOWN BY NUMBERED STEPS.
 C. IF APPLICABLE, LEAVE RELEASE PAPER ON LOWER HALF ON SILL FLASHING UNTIL FUTURE TIE-IN.
 D. INSTALL GRACE VYCOR PLUS AND AIR INFILTRATION BARRIER TO FORM WATER SHEDDING LAPS TO THE EXTERIOR SIDE OF THE WALL ASSEMBLY.
 E. COORDINATE WITH FLASHING REQUIREMENTS OF WINDOW MANUFACTURER. REFERENCE WINDOW ELEVATIONS & DETAILS FOR ADDITIONAL INFORMATION.
 F. HEAD AND JAMB DETAILS AT DOOR CONDITIONS SIMILAR.



8 TYPICAL INSTALLATION DETAIL OF WINDOW FLASHING
 REFERENCED FROM: SCALE:

12 DETAIL @
 REFERENCED FROM: SCALE: 3" = 1'-0"

16 DETAIL @
 REFERENCED FROM: SCALE:



CWS Architects

Architecture
 Space Planning
 Value Design

434 Cumberland Avenue
 Portland, ME 04101
 Phone: (207) 774-4441
 Fax: (207) 774-4016

www.CWSArch.com

Owner:

SOUTHERN MAINE STUDENT HOUSING LLC
 247 COMMERCIAL STREET
 ROCKPORT, MAINE 04856
 TEL: (207) 236-4067

Contractor:

PIZZAGALLI CONSTRUCTION
 100 FODEN RD WEST, SUITE 300
 SOUTH PORTLAND, ME 04106
 TEL: (207) 874-2323
 FAX: (207) 874-2727

BAYSIDE VILLAGE - A STUDENT HOUSING COMPLEX

120 MARGINAL WAY
 PORTLAND, MAINE

Project No: 2006-425BSV

Drawing Title:
WINDOW ELEVATIONS & MISC DETAILS

Scale: AS NOTED
 Date: Progress 06/15/2007

Revisions:

- △
- △
- △
- △
- △

Drawing Number:

A8.21