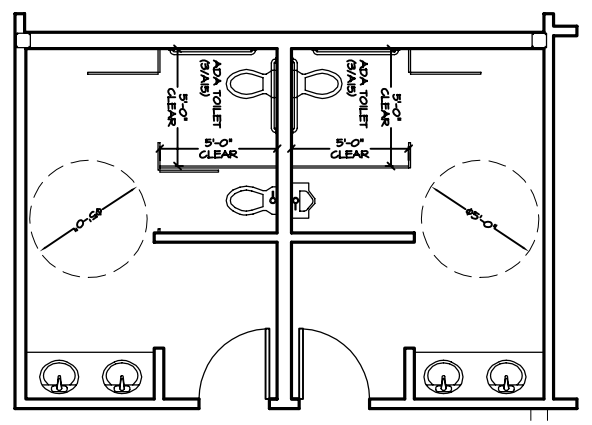
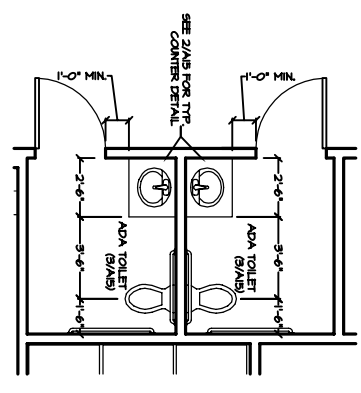


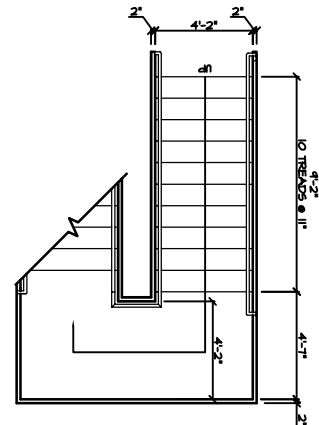
1 FIRST FLOOR PLAN
PLAN



2 BAYSIDE FREE RESTROOM LAYOUT
1/4" = 1'-0"



3 BAYSIDE FREE RESTROOM LAYOUT
1/4" = 1'-0"



4 STAIRS AND STAIRS-2 LAYOUT
1/4" = 1'-0"

A2

PROJECT:
BAYSIDE OFFICE BUILDING
PORTLAND, ME

FIRST FLOOR PLAN

OPECHEE
CONSTRUCTION CORPORATION
11 CORPORATE DRIVE, BELMONT NH 03220
PHONE (603) 527-9090 FAX (603) 527-9191

REVS.

DATE: 10/11/01
SCALE: SEE PLAN
DRAWN BY: DRB
SHEET: